

US00D795905S

(12) **United States Design Patent** (10) **Patent No.:** **US D795,905 S**
Wang et al. (45) **Date of Patent:** **** Aug. 29, 2017**

(54) **ONBOARD VEHICLE DEVICE WITH GRAPHICAL USER INTERFACE**
(71) Applicant: **Neusoft Corporation**, Shenyang, Liaoning (CN)
(72) Inventors: **Geng Wang**, Shenyang (CN); **Qianhui Guo**, Shenyang (CN); **Qizhen Pei**, Shenyang (CN); **Xiangpeng Chen**, Shenyang (CN); **Hongliang Pang**, Shenyang (CN); **Qian Zhang**, Shenyang (CN)

8,432,416 B2 * 4/2013 Wu G06F 3/04847 345/661
D690,728 S * 10/2013 Brinda D14/488
D698,805 S * 2/2014 Davis D14/486
D699,743 S * 2/2014 Arnold D14/488
D716,317 S * 10/2014 Behzadi D14/485
D722,608 S * 2/2015 Donahue D14/486
D724,609 S * 3/2015 Myung D14/486
D733,172 S * 6/2015 Angelides D14/486
D745,533 S * 12/2015 Luo D14/485
D751,595 S * 3/2016 Cho D14/486
D763,881 S * 8/2016 Smith D14/486

(Continued)

(73) Assignee: **Neusoft Corporation**, Liaoning (CN)

(**) Term: **15 Years**

(21) Appl. No.: **29/558,132**

(22) Filed: **Mar. 15, 2016**

(30) **Foreign Application Priority Data**

Dec. 25, 2015 (CN) 2015 3 0558500

(51) **LOC (10) Cl.** **14-04**

(52) **U.S. Cl.**
USPC **D14/486**

(58) **Field of Classification Search**
USPC D14/485-495; D20/11; D21/324
CPC .. G06F 3/041; G06F 3/04812; G06F 3/04817;
G06F 3/0482; G06F 3/04842; G06F
3/04847; G06F 9/4443; G11B 27/34;
G05D 23/1902; H04L 41/0253
See application file for complete search history.

(56) **References Cited**

U.S. PATENT DOCUMENTS

D418,495 S * 1/2000 Brockel D14/486
D603,418 S * 11/2009 Magnani D14/486
D648,735 S * 11/2011 Arnold D14/486
D671,136 S * 11/2012 Barnett D14/487

OTHER PUBLICATIONS

Howard, Bill, "Ford admits touchscreen defeat, puts the buttons and knobs back into Ford Sync", posted at extremetech.com, Feb. 20, 2014, [site visited May 22, 2017]. Available from Internet: <<https://www.extremetech.com/extreme/176936-ford-admits-touchscreen-defeat-puts-the-buttons-and-knobs-back-into-ford-sync>>.*

(Continued)

Primary Examiner — Karen Kearney

Assistant Examiner — John Otte

(74) *Attorney, Agent, or Firm* — Leanne Taveggia Farrell; David D. Brush; Westman, Champlin & Koehler, P.A.

(57) **CLAIM**

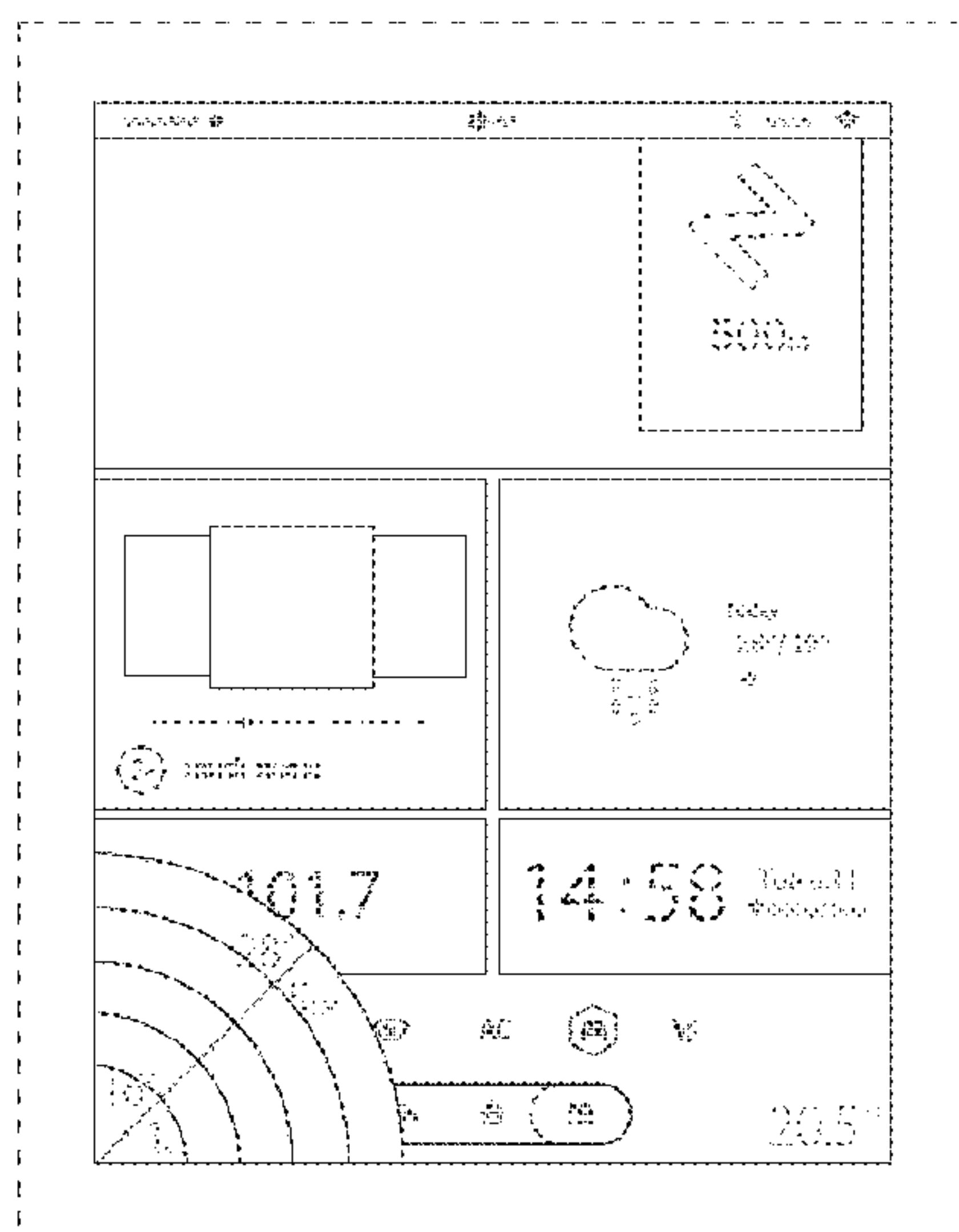
The ornamental design for an onboard vehicle device with graphical user interface, as shown and described.

DESCRIPTION

The FIGURE is a front elevational view of an onboard vehicle device with graphical user interface showing our new design.

The broken lines shown in the drawings are included for purposes of illustrating portions of the onboard vehicle device with graphical user interface and form no part of the claimed design.

1 Claim, 1 Drawing Sheet



(56)

References Cited

U.S. PATENT DOCUMENTS

2002/0120455 A1* 8/2002 Nakata G06F 3/04812
704/275
2005/0081155 A1* 4/2005 Martin G11B 27/34
715/719
2013/0194217 A1* 8/2013 Lee G06F 3/041
345/173

OTHER PUBLICATIONS

Cawley, Christian, “The 5 Best Dashboard Car Mode Apps for Android Compared”, posted at makeuseof.com, Aug. 22, 2014, [site visited May 22, 2017]. Available from Internet: <<http://www.makeuseof.com/tag/5-best-dashboard-car-mode-apps-android-compared>>.*

“App Wireframes Kit”, posted at graphicburger.com, Feb. 3, 2014, [site visited May 22, 2017]. Available from Internet: <<http://graphicburger.com/app-wireframes-kit>>.*

Zhang, Jeffery, “Fan Keyboard”, posted at play.google.com, Oct. 16, 2011, [site visited May 23, 2017]. Available from Internet: <<https://play.google.com/store/apps/details?id=mobi.appsketch.keyboard>>.*

* cited by examiner

