



US00D795882S

(12) **United States Design Patent** (10) **Patent No.:** **US D795,882 S**
Maldonado (45) **Date of Patent:** **** Aug. 29, 2017**

(54) **ELECTRONIC DEVICE HOLDER**
(71) Applicant: **Anthony Maldonado**, Fort Knox, KY (US)
(72) Inventor: **Anthony Maldonado**, Fort Knox, KY (US)
(**) Term: **15 Years**
(21) Appl. No.: **29/568,092**
(22) Filed: **Jun. 30, 2016**
(51) **LOC (10) Cl.** **08-07**
(52) **U.S. Cl.**
USPC **D14/447**
(58) **Field of Classification Search**
USPC D14/447, 432, 434, 439, 440, 451, 452, D14/457, 239; D12/415; D6/406.3, D6/406.4, 406.5, 406.6; D8/363, 373, D8/380
CPC A47B 21/04; A47B 2097/006; A47B 2097/005; A47B 2023/049; A45C 2011/002; A45C 2011/003; F16M 2200/00; F16M 13/00
See application file for complete search history.

D714,775 S * 10/2014 Yoo D14/253
2006/0290654 A1 * 12/2006 Wang B60R 11/0235
345/156
2008/0087789 A1 4/2008 Haynes
2008/0267613 A1 * 10/2008 Darrow F16M 11/041
396/428
2009/0060473 A1 3/2009 Kohte
2009/0101772 A1 * 4/2009 Bevirt F16M 11/40
248/180.1
2010/0294908 A1 * 11/2010 Mish A47B 23/043
248/451
2011/0292666 A1 12/2011 Gallagher
2012/0187257 A1 * 7/2012 Zou F16M 11/041
248/125.8
2012/0195585 A1 8/2012 Wagner
2012/0207462 A1 * 8/2012 Justice F16M 11/041
396/428
2014/0082897 A1 * 3/2014 Eskew F16M 11/14
24/489
2014/0097306 A1 4/2014 Hale et al.
2014/0355139 A1 12/2014 Begay
2015/0048233 A1 2/2015 Dumas

* cited by examiner

Primary Examiner — Angela J Lee
(74) *Attorney, Agent, or Firm* — RG Patent Consulting, LLC; Rachel Gilboy

(56) **References Cited**

U.S. PATENT DOCUMENTS

D394,669 S 5/1998 Becker
6,315,252 B1 11/2001 Schultz
RE38,897 E * 11/2005 Krenzler F16M 11/40
362/191
D554,042 S * 10/2007 Richter D12/415
7,861,985 B2 1/2011 Galvin
D678,296 S * 3/2013 Lakraa D14/447
D678,297 S * 3/2013 Willkomm D14/447
8,439,319 B2 5/2013 Page
D691,149 S * 10/2013 Breton D14/447
8,727,290 B1 5/2014 De La Matta

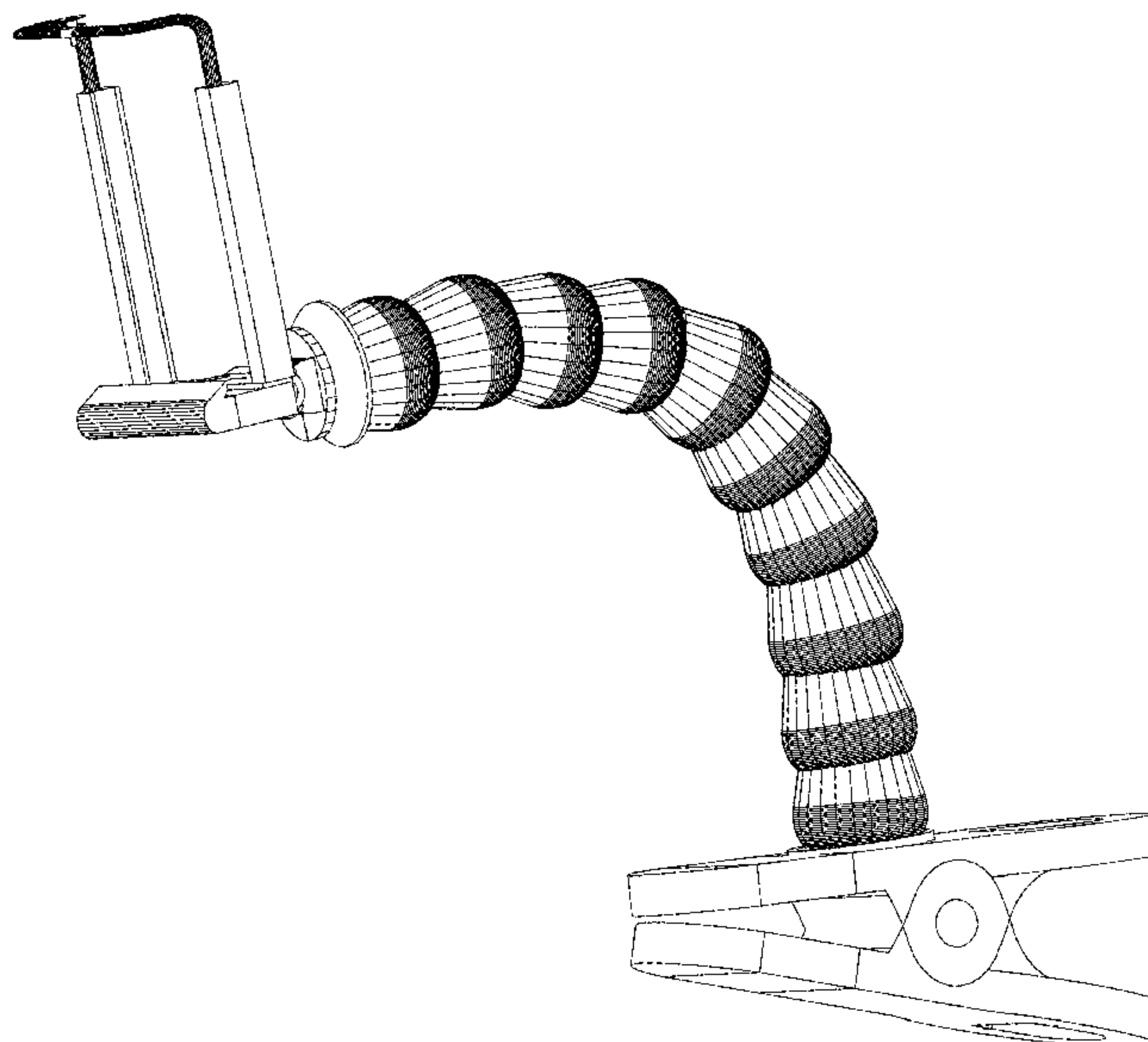
(57) **CLAIM**

The ornamental design for an electronic device holder, as shown and described.

DESCRIPTION

FIG. 1 is an isometric view of the electronic device holder; FIG. 2 is a front view of the electronic device holder; FIG. 3 is a back view of the electronic device holder; FIG. 4 is a left view of the electronic device holder; FIG. 5 is a right view of the electronic device holder; FIG. 6 is a top view of the electronic device holder; and, FIG. 7 is a bottom view of the electronic device holder.

1 Claim, 7 Drawing Sheets



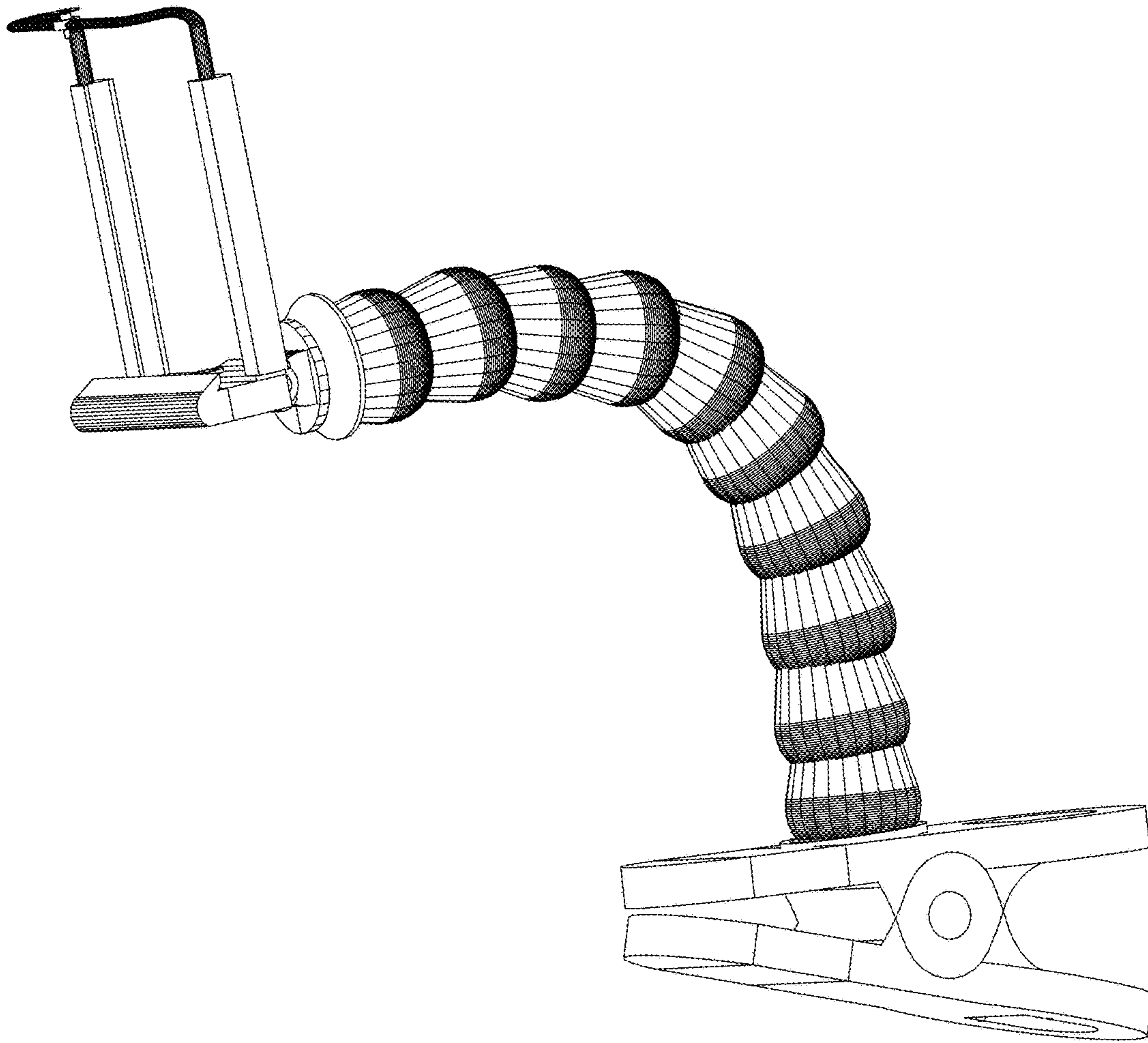


FIG. 1

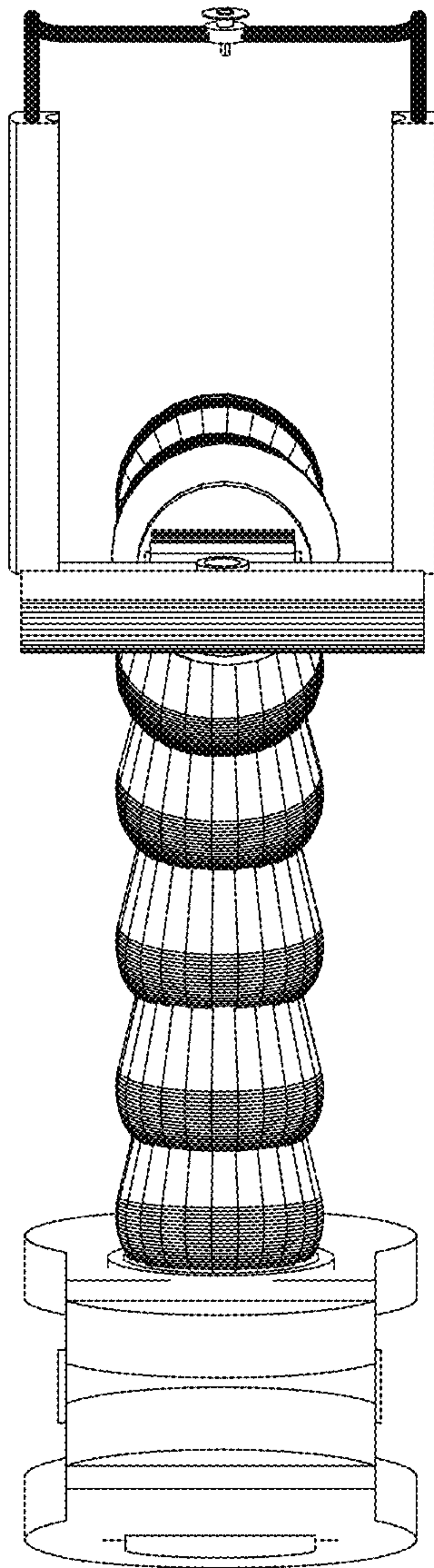


FIG. 2

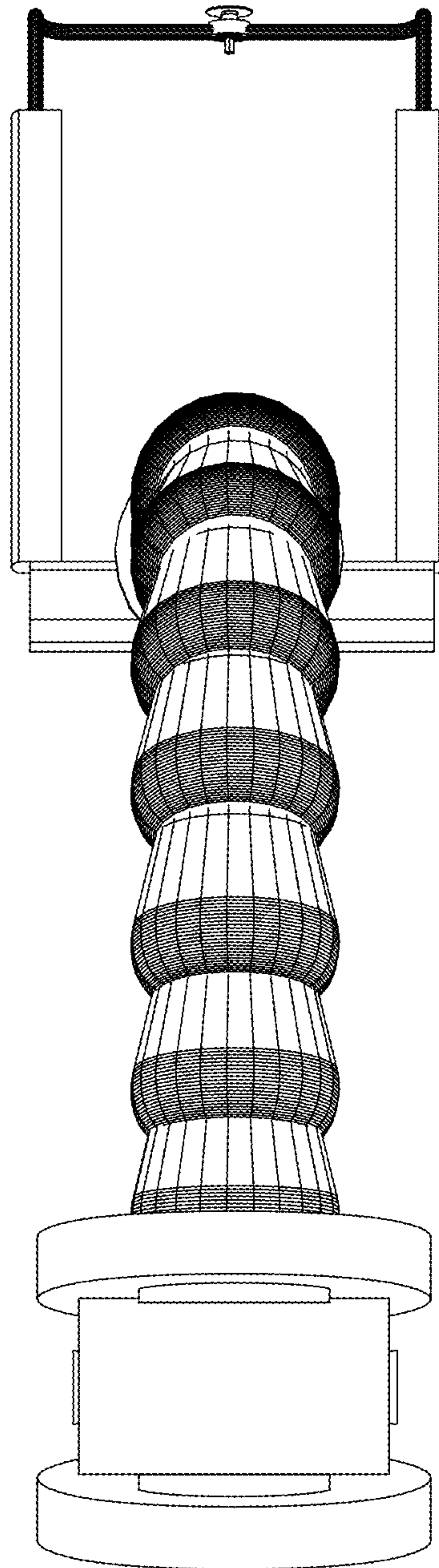


FIG. 3

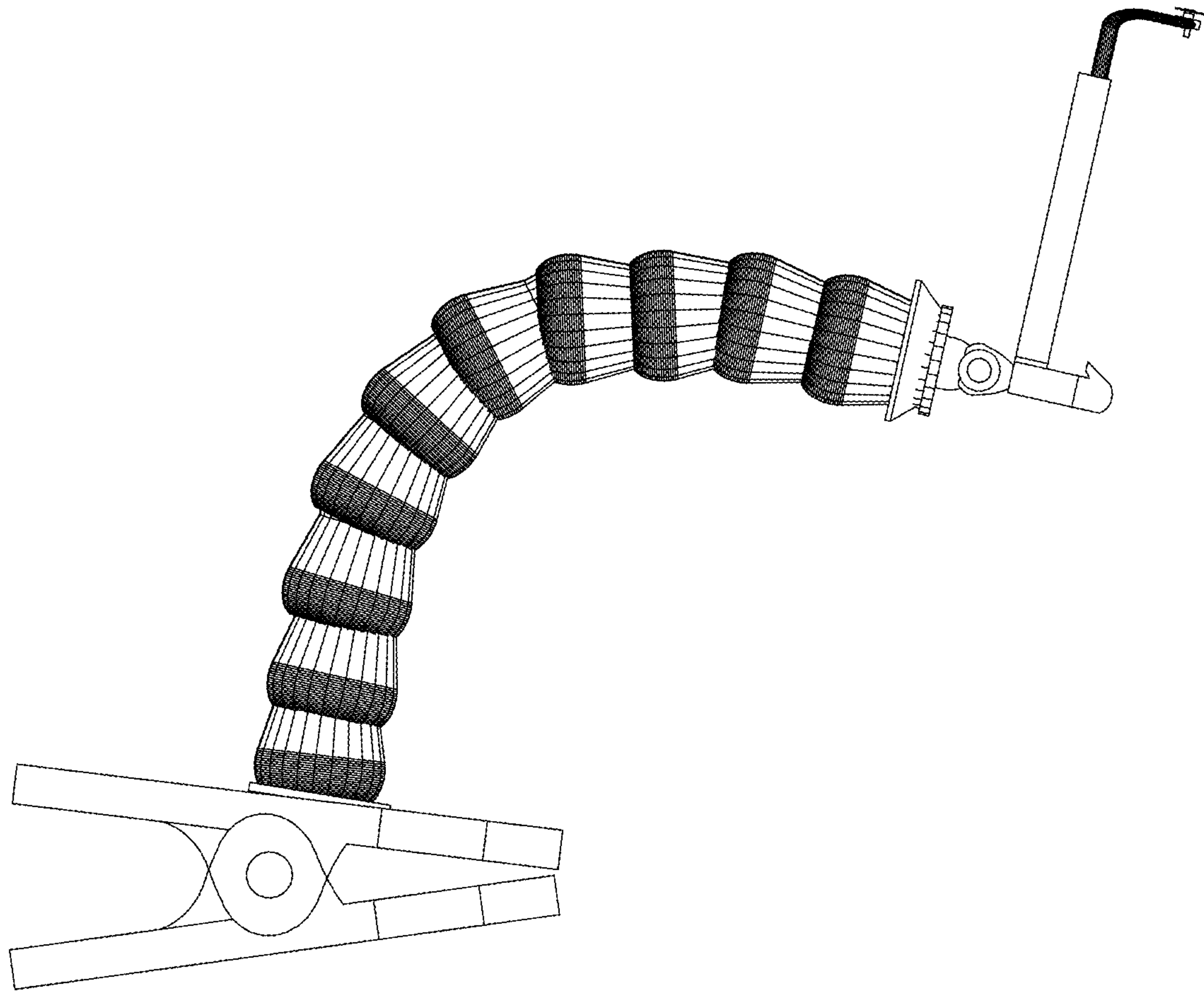


FIG. 4

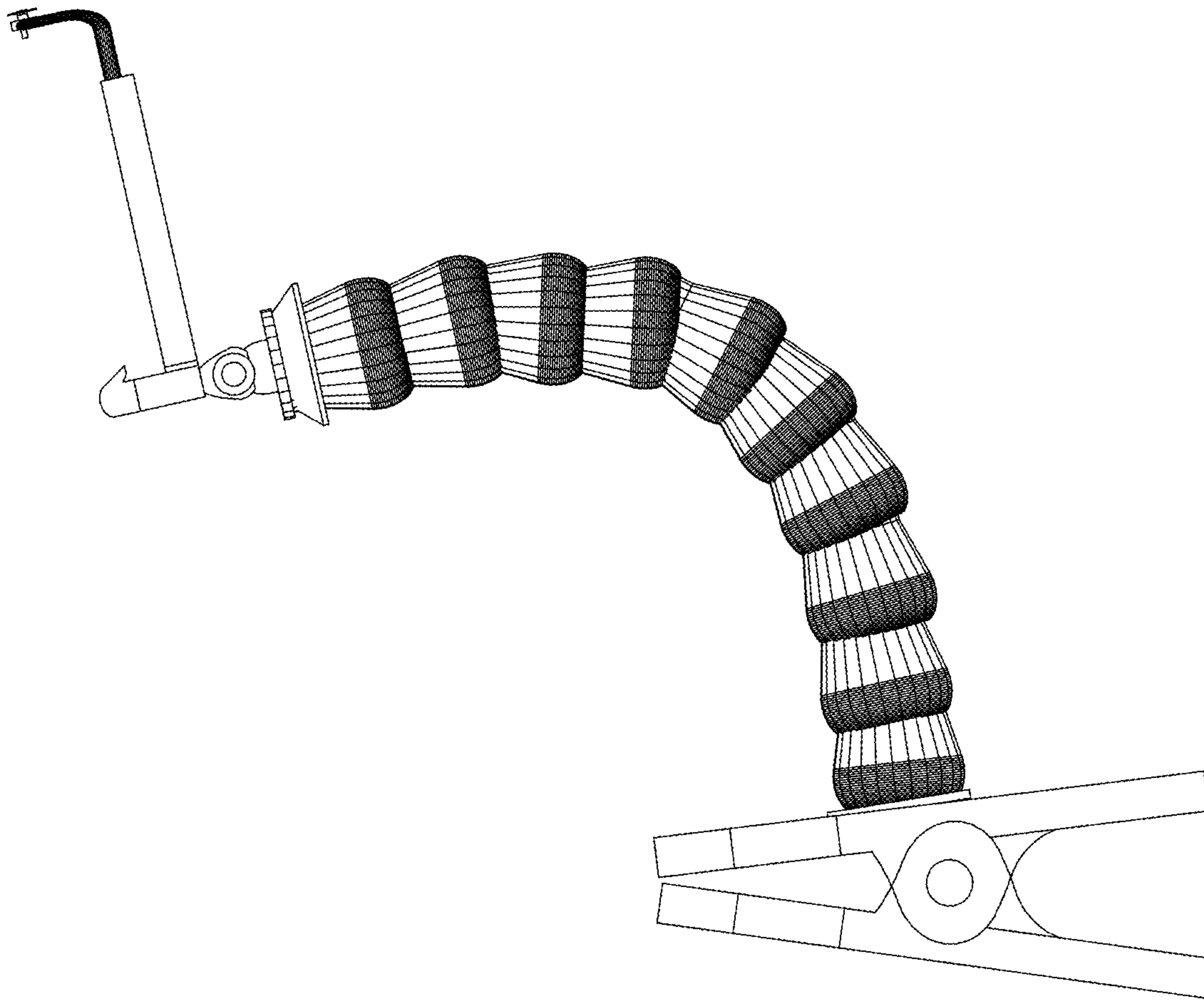


FIG. 5

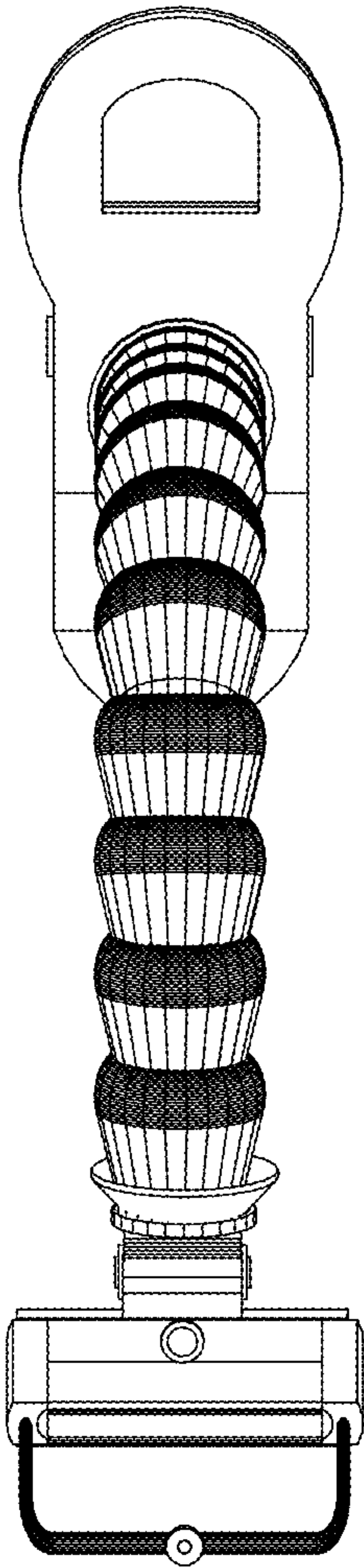


FIG. 6

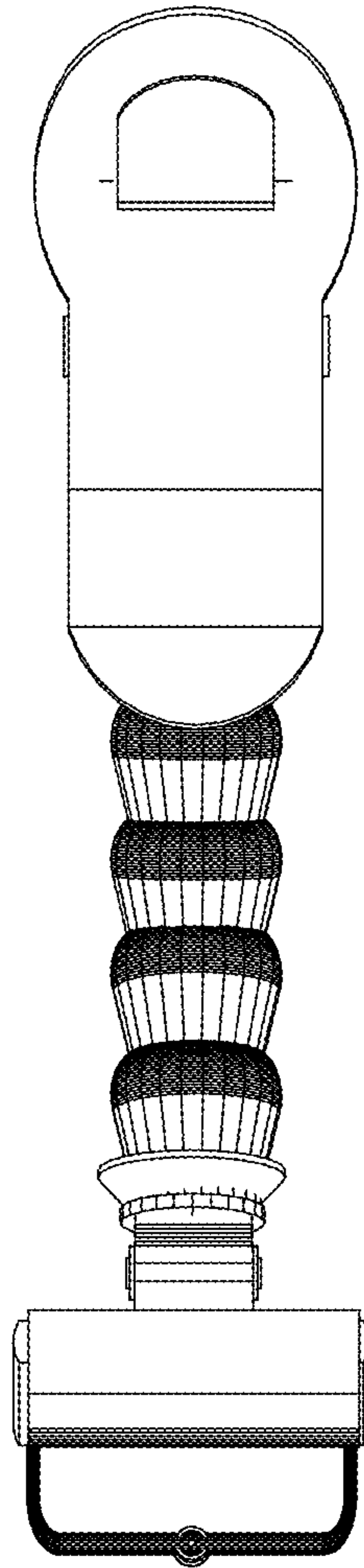


FIG. 7