



US00D795880S

(12) **United States Design Patent** (10) **Patent No.:** **US D795,880 S**
Akana et al. (45) **Date of Patent:** **** Aug. 29, 2017**

(54) **CASE**

(71) Applicant: **Apple Inc.**, Cupertino, CA (US)

(72) Inventors: **Jody Akana**, San Francisco, CA (US); **Molly Anderson**, San Francisco, CA (US); **Bartley K. Andre**, Palo Alto, CA (US); **Shota Aoyagi**, San Francisco, CA (US); **Anthony Michael Ashcroft**, San Francisco, CA (US); **Jeremy Bataillou**, San Francisco, CA (US); **Daniel J. Coster**, San Francisco, CA (US); **Daniele De Iuliis**, San Francisco, CA (US); **M. Evans Hankey**, San Francisco, CA (US); **Julian Hoenig**, San Francisco, CA (US); **Richard P. Howarth**, San Francisco, CA (US); **Jonathan P. Ive**, San Francisco, CA (US); **Duncan Robert Kerr**, San Francisco, CA (US); **Matthew Dean Rohrbach**, San Francisco, CA (US); **Peter Russell-Clarke**, San Francisco, CA (US); **Benjamin Andrew Shaffer**, San Jose, CA (US); **Mikael Silvano**, San Francisco, CA (US); **Christopher J. Stringer**, Woodside, CA (US); **Eugene Antony Whang**, San Francisco, CA (US); **Rico Zörkendörfer**, San Francisco, CA (US)

(73) Assignee: **Apple Inc.**, Cupertino, CA (US)

(**) Term: **15 Years**

(21) Appl. No.: **29/589,952**

(22) Filed: **Jan. 5, 2017**

Related U.S. Application Data

(63) Continuation of application No. 29/538,751, filed on Sep. 8, 2015, now Pat. No. Des. 776,122.

(51) **LOC (10) Cl.** **14-02**

(52) **U.S. Cl.**
USPC **D14/440**

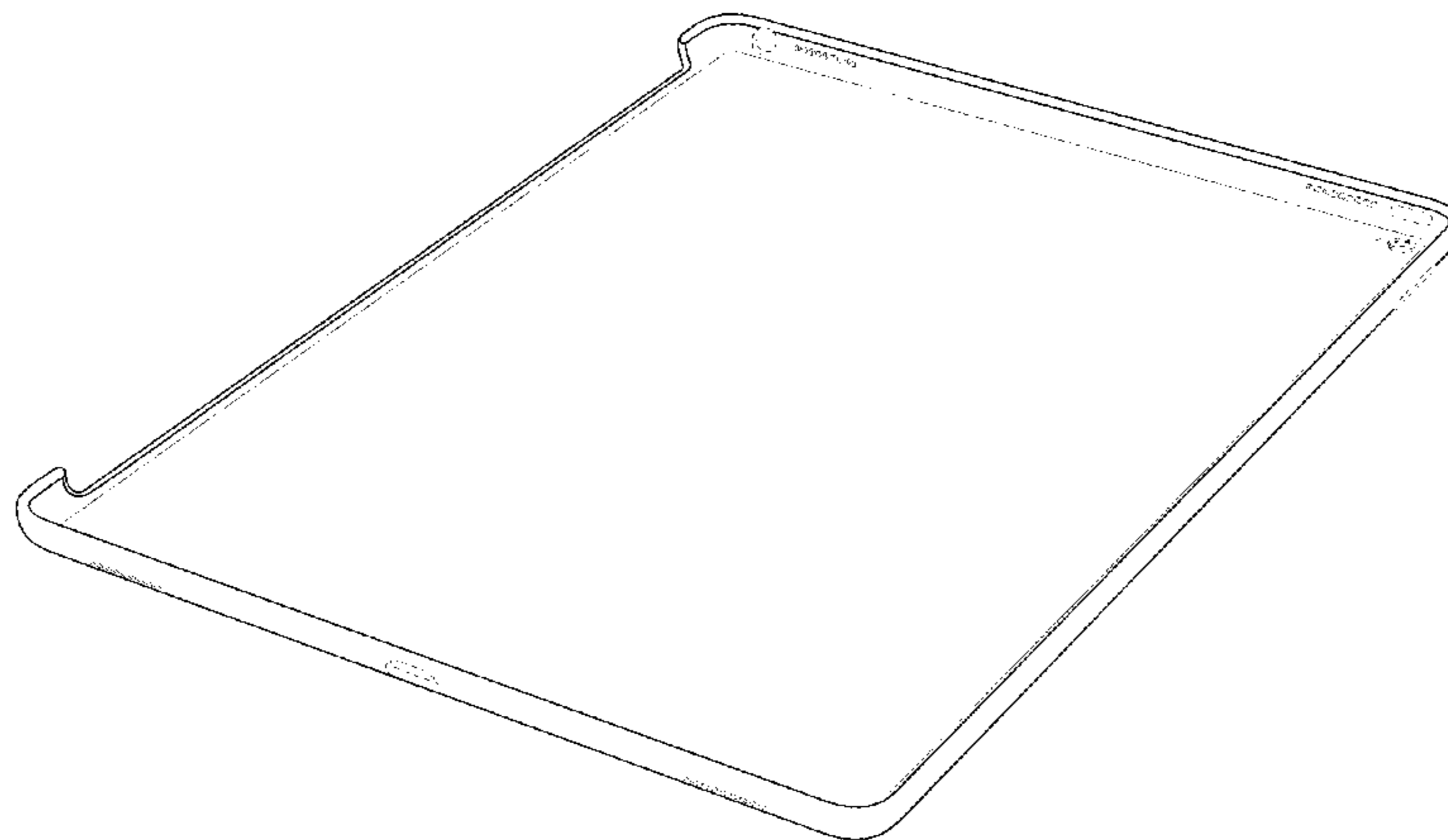
(58) **Field of Classification Search**

USPC D14/440, 250, 447; 206/45.23, 320, 206/45.2; 361/679.55; 294/25; 224/218
CPC G06F 1/1628; G06F 1/1626; G06F 1/1667; A47B 23/044; H04B 1/3888; A45C 11/00; A45C 3/02; H05K 5/0217
See application file for complete search history.

(56) **References Cited**

U.S. PATENT DOCUMENTS

D39,344 S	6/1908	Schoettle
1,370,279 A	3/1921	Burzynski
2,354,782 A	8/1944	Stradling
2,726,835 A	12/1955	Hummel
2,968,176 A	1/1961	Collings
3,442,371 A	5/1969	Deshong et al.
3,655,456 A	4/1972	Hamel
D230,376 S	2/1974	Andrew
4,259,568 A	3/1981	Dynesen
4,318,527 A	3/1982	Smith
4,432,827 A	2/1984	Graetz et al.
4,501,361 A	2/1985	Rose, Jr.
D283,950 S	5/1986	Markowitz
4,621,729 A	11/1986	Jackson
4,703,160 A	10/1987	Narishima et al.
4,718,550 A	1/1988	Johnson
D297,228 S	8/1988	Harpaz et al.
D321,855 S	11/1991	Ross, Jr.
5,062,530 A	11/1991	Mitsuyama
5,066,158 A	11/1991	Huang
5,092,354 A	3/1992	Pacelli, Jr.
5,145,068 A	9/1992	Schmitz et al.
D331,191 S	11/1992	Ventola et al.
D340,701 S	10/1993	Takeuchi
D343,951 S	2/1994	Petty et al.
D356,120 S	3/1995	Allen
D364,191 S	11/1995	Allen
D396,554 S	8/1998	Roeder
D407,432 S	3/1999	Tell
D409,667 S	5/1999	Riley et al.
5,921,463 A	7/1999	Boyle et al.
D418,867 S	1/2000	Platte, III
D454,110 S	3/2002	Andre et al.
D459,887 S	7/2002	Johnson
D461,469 S	8/2002	Wang et al.
D466,356 S	12/2002	Marsilio
D467,429 S	12/2002	Bone et al.
D469,438 S	1/2003	Corrales
6,513,836 B2	2/2003	Li
D471,008 S	3/2003	Dubone



US D795,880 S

6,527,330 B1	3/2003	Steffens et al.	D658,188 S	4/2012	Diebel	
D478,623 S	8/2003	Wilburn	D658,880 S	5/2012	Akana et al.	
6,646,672 B2	11/2003	Feierbach	D659,139 S	5/2012	Gengler	
6,763,942 B1	7/2004	Yeh	D660,789 S	5/2012	Mar	
D504,889 S	5/2005	Andre et al.	D660,833 S	5/2012	Bau	
D512,100 S	11/2005	Howes et al.	D662,100 S	6/2012	Van Den Nieuwenhuizen et al.	
D514,862 S	2/2006	Fair	D662,503 S	6/2012	Akana et al.	
D516,363 S	3/2006	Fair	D663,304 S	7/2012	Akana et al.	
D517,512 S	3/2006	Peng	D663,724 S	7/2012	Lee et al.	
D518,007 S	3/2006	Peng	D664,564 S	7/2012	Gillett et al.	
D518,008 S	3/2006	Peng	8,230,992 B2	7/2012	Law et al.	
D519,559 S	4/2006	Mehta	D665,809 S *	8/2012	Wang	D14/248
D523,078 S	6/2006	Ong	8,235,208 B2	8/2012	Sirichai et al.	
D524,051 S	7/2006	Krueger	8,245,843 B1	8/2012	Wu	
D538,096 S	3/2007	Bartell et al.	8,253,518 B2	8/2012	Lauder et al.	
D538,787 S	3/2007	Tsai	8,264,310 B2	9/2012	Lauder et al.	
D542,772 S	5/2007	Shimizu	D669,059 S	10/2012	Huang	
D546,878 S	7/2007	Bharma	D670,499 S	11/2012	Akana et al.	
D552,348 S	10/2007	Martin	D670,692 S	11/2012	Akana et al.	
D553,415 S	10/2007	Steele	D670,702 S	11/2012	Zhang et al.	
D554,859 S	11/2007	Sides et al.	D671,114 S	11/2012	Akana et al.	
D555,667 S	11/2007	Hussaini et al.	8,312,991 B2	11/2012	Diebel et al.	
D556,193 S	11/2007	Laituri et al.	D671,948 S	12/2012	Akana et al.	
D556,681 S	12/2007	Kim	D672,353 S	12/2012	Liu	
D557,814 S	12/2007	Glenn et al.	D672,781 S	12/2012	Lu	
D559,907 S	1/2008	Howe	D673,158 S	12/2012	Yang et al.	
7,318,521 B2	1/2008	Lau	8,328,008 B2	12/2012	Diebel et al.	
D568,605 S	5/2008	Harris et al.	D673,958 S *	1/2013	Fathollahi	D14/439
D574,819 S	8/2008	Andre et al.	D674,798 S *	1/2013	Kim	D14/440
D577,743 S	9/2008	Liu	D674,799 S	1/2013	Kim	
D581,865 S	12/2008	Koza	D674,800 S	1/2013	Kim	
D582,405 S	12/2008	Andre et al.	D675,210 S	1/2013	Kim	
D583,360 S	12/2008	Gredler	D675,625 S	2/2013	Hasbrook et al.	
D583,479 S	12/2008	Yim	D676,449 S	2/2013	Probst et al.	
D584,141 S	1/2009	Smith et al.	D676,854 S *	2/2013	Hsu	D14/447
D584,314 S	1/2009	Davis et al.	D677,658 S	3/2013	Akana et al.	
D593,540 S	6/2009	Skurdal	D677,668 S	3/2013	Phillips et al.	
D594,876 S	6/2009	Hwang	D678,260 S	3/2013	Bau	
7,542,052 B2	6/2009	Solomon et al.	D678,291 S	3/2013	Phillips et al.	
D599,400 S	9/2009	Lapsker	D678,292 S	3/2013	Phillips et al.	
D599,761 S	9/2009	Birsel et al.	D679,279 S	4/2013	Yang et al.	
D599,821 S	9/2009	Tang	D679,714 S *	4/2013	Smith	D14/440
D600,455 S	9/2009	Nell	D679,715 S	4/2013	Akana et al.	
D603,398 S	11/2009	Watson et al.	D681,033 S	4/2013	Chen et al.	
D603,906 S	11/2009	Miller et al.	D681,641 S	5/2013	Van Den Nieuwenhuizen et al.	
D604,744 S	11/2009	Tseng et al.	D682,279 S	5/2013	Fuchs	
D606,096 S	12/2009	Bui	D682,836 S	5/2013	Akana et al.	
D606,751 S	12/2009	Andre et al.	D682,837 S	5/2013	Lee et al.	
D608,794 S	1/2010	Xiao et al.	D682,838 S	5/2013	Akana et al.	
D609,226 S	2/2010	Hofer et al.	D682,839 S	5/2013	Sampson et al.	
D609,718 S	2/2010	Chang et al.	D685,799 S	7/2013	Canizares et al.	
D616,416 S	5/2010	Lin	D685,800 S	7/2013	Canizares et al.	
D616,464 S	5/2010	Park	D685,801 S	7/2013	Canizares et al.	
D619,361 S	7/2010	Andre et al.	D685,802 S	7/2013	Canizares et al.	
D622,258 S	8/2010	Joseph	D685,803 S	7/2013	Akana et al.	
D622,716 S	8/2010	Andre et al.	D686,627 S	7/2013	Akana et al.	
D624,615 S	9/2010	Kusmierz	D687,438 S	8/2013	Lu	
D627,777 S	11/2010	Akana et al.	D688,251 S	8/2013	Akana et al.	
D628,197 S	11/2010	Li	D688,868 S	9/2013	Akana et al.	
D630,432 S	1/2011	Tennyson	D689,482 S	9/2013	Akana et al.	
D633,388 S	3/2011	Andre et al.	D689,498 S	9/2013	Akana et al.	
D637,814 S	5/2011	Akana et al.	D690,305 S	9/2013	Wen	
D639,296 S	6/2011	Tseng et al.	D690,703 S *	10/2013	Welch	D14/440
D641,348 S	7/2011	Kim et al.	D691,142 S	10/2013	Diebel	
D644,248 S	8/2011	Kim et al.	D691,143 S	10/2013	Diebel	
8,016,107 B2	9/2011	Emsky	D691,145 S	10/2013	Nam-Su	
D646,266 S	10/2011	Kim et al.	D691,611 S	10/2013	Kirzinger	
D648,529 S	11/2011	Brown	D692,433 S	10/2013	Akana et al.	
D649,785 S	12/2011	Akana et al.	D692,434 S	10/2013	Kim	
D651,214 S *	12/2011	Yoo	D694,741 S	12/2013	Kim	
D652,829 S	1/2012	Kim et al.	D696,253 S	12/2013	Akana et al.	
D654,069 S	2/2012	Kwon et al.	D696,256 S	12/2013	Piedra et al.	
D656,495 S	3/2012	Andre et al.	D696,669 S	12/2013	Akana et al.	
8,132,670 B1	3/2012	Chen	D696,693 S	12/2013	Kim et al.	
8,143,982 B1	3/2012	Lauder et al.	D701,205 S	3/2014	Akana et al.	
D656,929 S	4/2012	Hsiung	D703,209 S	4/2014	Marcus	
D657,354 S	4/2012	Kim	D704,190 S *	5/2014	Sugino	D14/432
D658,186 S	4/2012	Akana et al.	D704,702 S	5/2014	Akana et al.	
D658,187 S	4/2012	Diebel	D706,270 S	6/2014	Akana et al.	

D706,782 S	6/2014	Dresser, III	
D707,675 S	6/2014	Akana et al.	
D707,683 S *	6/2014	Nam-Su	D14/440
D708,621 S	7/2014	Gifford et al.	
D708,836 S	7/2014	Lee	
D711,887 S	8/2014	Akana et al.	
8,794,436 B2	8/2014	Hsu	
D712,393 S	9/2014	Kim et al.	
D713,402 S	9/2014	Akana et al.	
D713,848 S	9/2014	Akana et al.	
D719,956 S	12/2014	Akana et al.	
D720,355 S	12/2014	Akana et al.	
8,922,982 B1 *	12/2014	Chen	F16M 11/10 361/679.08
D723,041 S	2/2015	Kim	
D726,731 S	4/2015	Kim	
D728,579 S	5/2015	Mecchella et al.	
D730,362 S	5/2015	Akana et al.	
D733,149 S	6/2015	Dahlberg	
D734,760 S	7/2015	Brunner et al.	
D749,593 S *	2/2016	Kwak	D14/440
D757,731 S	5/2016	Nguyen et al.	
D759,658 S	6/2016	Lai et al.	
D763,857 S	8/2016	Dang et al.	
D774,830 S *	12/2016	Gebhardt	D7/552.1
D776,122 S *	1/2017	Akana	D14/440
D776,123 S *	1/2017	Akana	D14/440
2003/0150756 A1	8/2003	Kajiya	
2009/0000169 A1	1/2009	Houssain et al.	
2009/0107858 A1	4/2009	Huang	
2009/0159763 A1	6/2009	Kim	
2009/0194209 A1	8/2009	De Filippis et al.	
2010/0289390 A1	11/2010	Kenney	
2010/0300909 A1	12/2010	Hung	
2011/0164365 A1	7/2011	McClure et al.	
2011/0227463 A1	9/2011	Hou et al.	
2011/0267757 A1	11/2011	Probst et al.	
2012/0043231 A1	2/2012	Perrier et al.	
2012/0140396 A1	6/2012	Zeliff et al.	
2012/0170212 A1	7/2012	Gallouzi et al.	
2012/0194448 A1	8/2012	Rothkopf	
2012/0211613 A1	8/2012	Yang et al.	
2012/0212896 A1	8/2012	Schulz	
2012/0300383 A1	11/2012	Lauder et al.	
2013/0020216 A1	1/2013	Chiou	
2013/0048520 A1	2/2013	Garrett et al.	
2013/0233762 A1	9/2013	Balaji et al.	
2013/0277271 A1	10/2013	Toulotte	
2014/0124396 A1	5/2014	Igarahi	

FOREIGN PATENT DOCUMENTS

AU	338106	8/2011
EM	001266266-0001	3/2011
EM	001266282-0001	3/2011
EM	001266290-0001	3/2011
GB	4020173	6/2011
JP	D1429341	12/2011
KR	30-0684149	3/2013
TW	D154071	6/2013

OTHER PUBLICATIONS

U.S. Appl. No. 29/554,096, filed Feb. 8, 2016; Akana et al.
 Incase, "Introducing the Convertible Magazine Jacket for iPad," goincase.com, accessed at <http://goincase.com/blog/2010/11/23/introducing-the-convertible-magazine-jacket-for-ipad/>, dated Nov. 23, 2010, 7 pages.
 Gizmodo.com, "The First iPad 2 Smart Cover Clones are Here," <<http://gizmodo.com/5782270/the-first-ipad-2-smart-cover-clones-are-here>>, dated Mar. 15, 2011, 3 pages.
 Youtube.com, "iPad 2—Best Protective Case—Smart Cover + Smart Back Cover by Simplism", <<http://www.youtube.com/watch?v=SRHhU98NAd0&feature=endscreen&NR=1>>, dated May 15, 2011, 2 pages.
 Youtube.com, "Review: AViiQ Smart Case for iPad 2 ", <<http://www.youtube.com/watch?v=DaHjzeVWEuA>>, dated May 24, 2011, 3 pages.
 Scoopz.com, "Cool Bananas SmartShell Case," <<http://blog.scoopz.com/2011/07/15/cool-bananas-smartshell-ipad-2-case-review/>>, dated Jul. 2011, 16 pages.
 Youtube.com, "AViiQ Smart Case for iPad 2 compliments Apple's Smart Cover (Review)", <<http://www.youtube.com/watch?v=wMoZM-ZSn4g>>, dated Aug. 31, 2011, 2 pages.
 Amazon.com, "Fintie SmartShell Case," <http://www.amazon.com/Fintie-iPad-mini-Retina-Display/dp/B009T4K9BS/ref=sr_1_22?s=electronics&ie=UTF8&qid=1410209701&sr=1-22&keywords=fintie+case>, dated Aug. 2012, 6 pages.
 JPO's Document HJ25051132, dated Nov. 13, 2013.
 JPO's Document HJ25059394, dated Jan. 16, 2014.
 Case-Parts, "Original Targus Folding Genuine Leather Case for Apple iPad with Built-in Holder," <http://www.case-parts.com/details/Original-Targus-Folding-Genuine-Leather-Case-for-Apple-iPad-with-Built-in-Holder-IPAD-570/photos.htm>, 3 pages.

* cited by examiner

Primary Examiner — Cynthia Underwood
 (74) *Attorney, Agent, or Firm* — Sterne, Kessler, Goldstein & Fox P.L.L.C.

(57) **CLAIM**

The ornamental design for a case, as shown and described.

DESCRIPTION

FIG. 1 is a bottom front perspective view of a case showing our new design;
 FIG. 2 is a bottom rear perspective view thereof;
 FIG. 3 is a bottom view thereof;
 FIG. 4 is a top view thereof;
 FIG. 5 is a left side view thereof;
 FIG. 6 is a right side view thereof;
 FIG. 7 is a front view thereof; and,
 FIG. 8 is a rear view thereof.
 The broken lines in the figures show portions of the case that form no part of the claimed design.

1 Claim, 6 Drawing Sheets

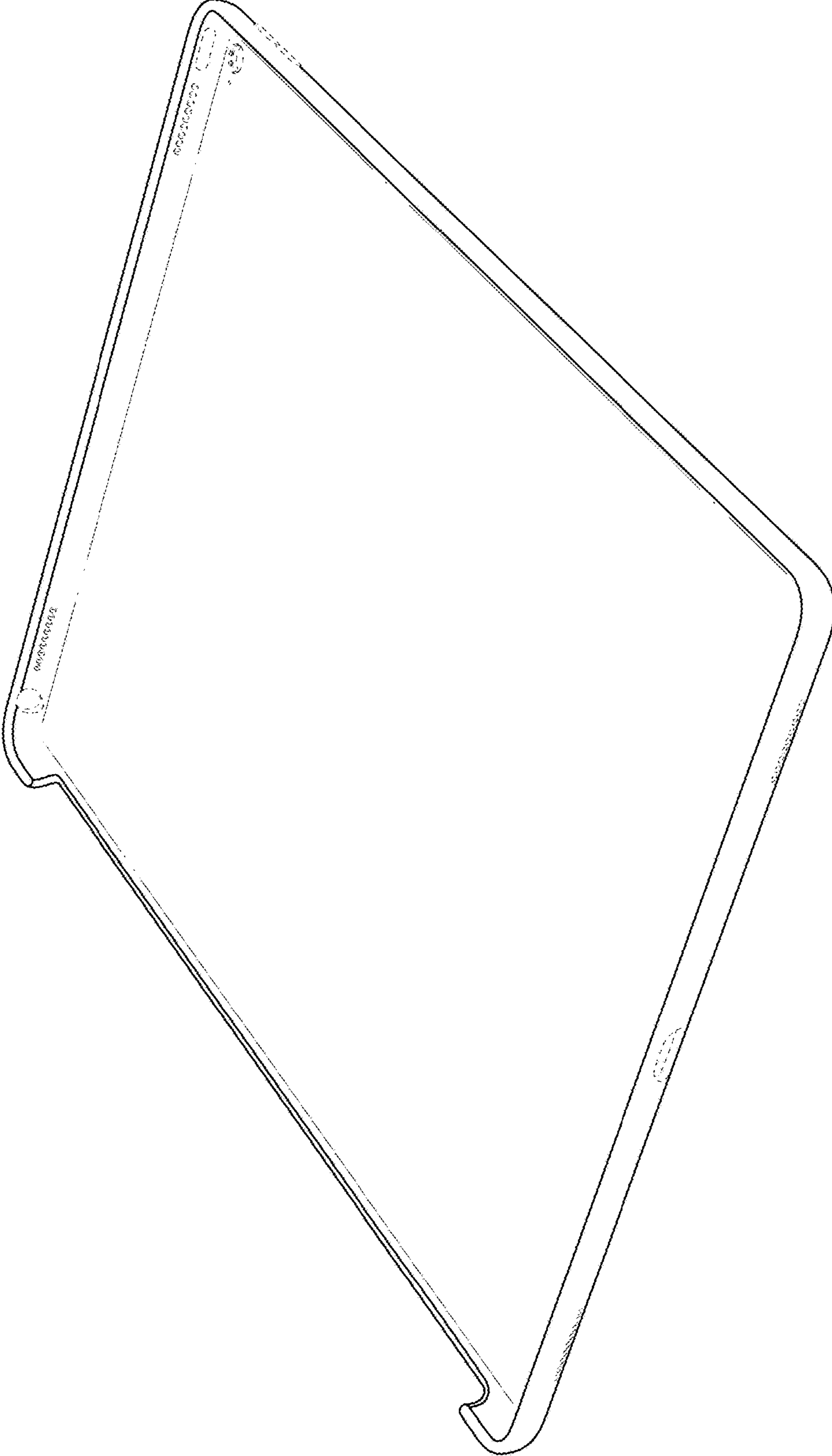


FIG. 1

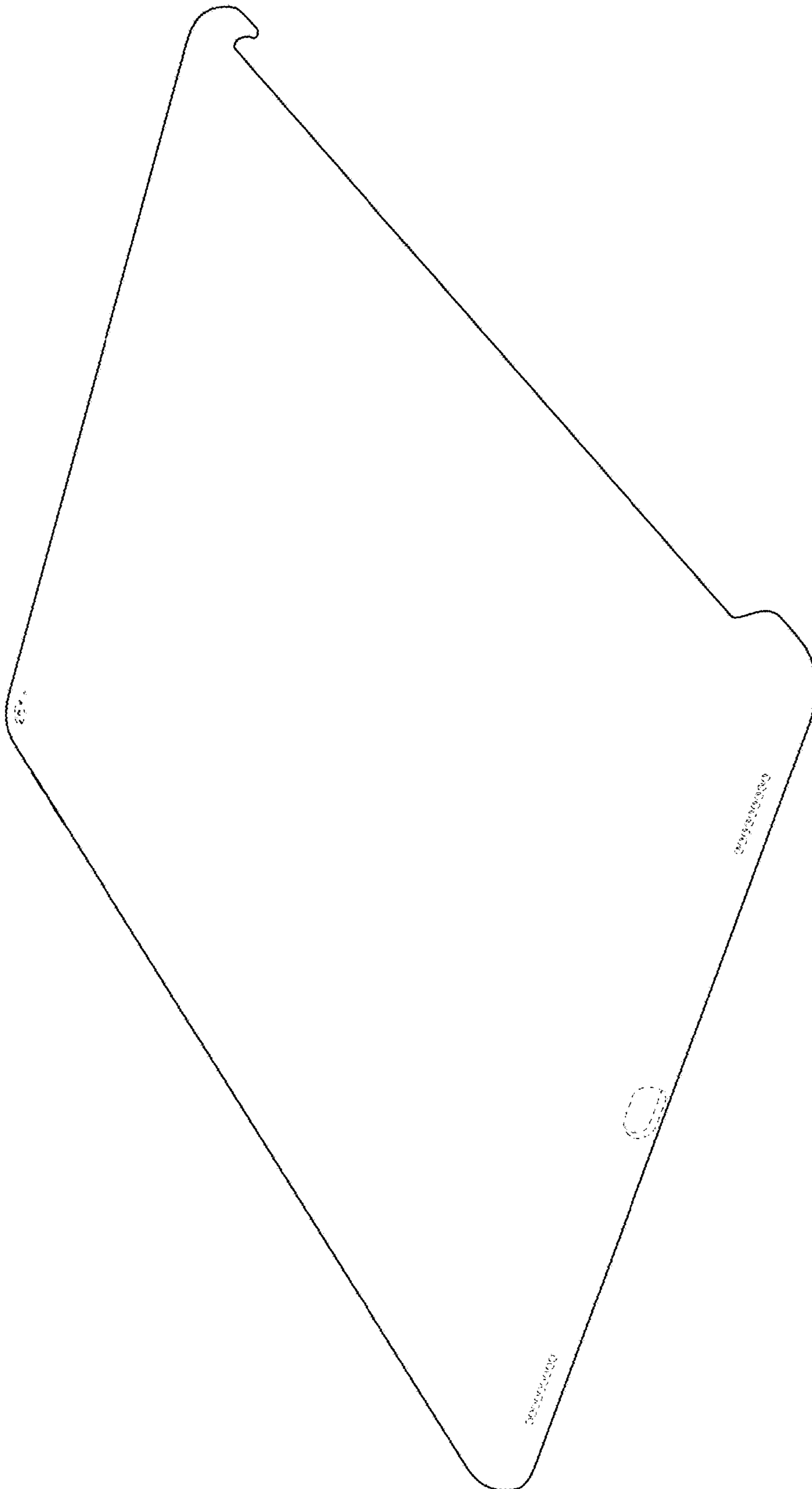


FIG. 2



FIG. 3



FIG. 4



FIG. 5

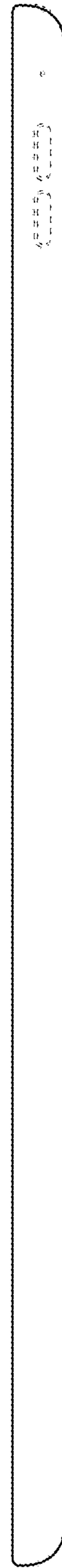


FIG. 6

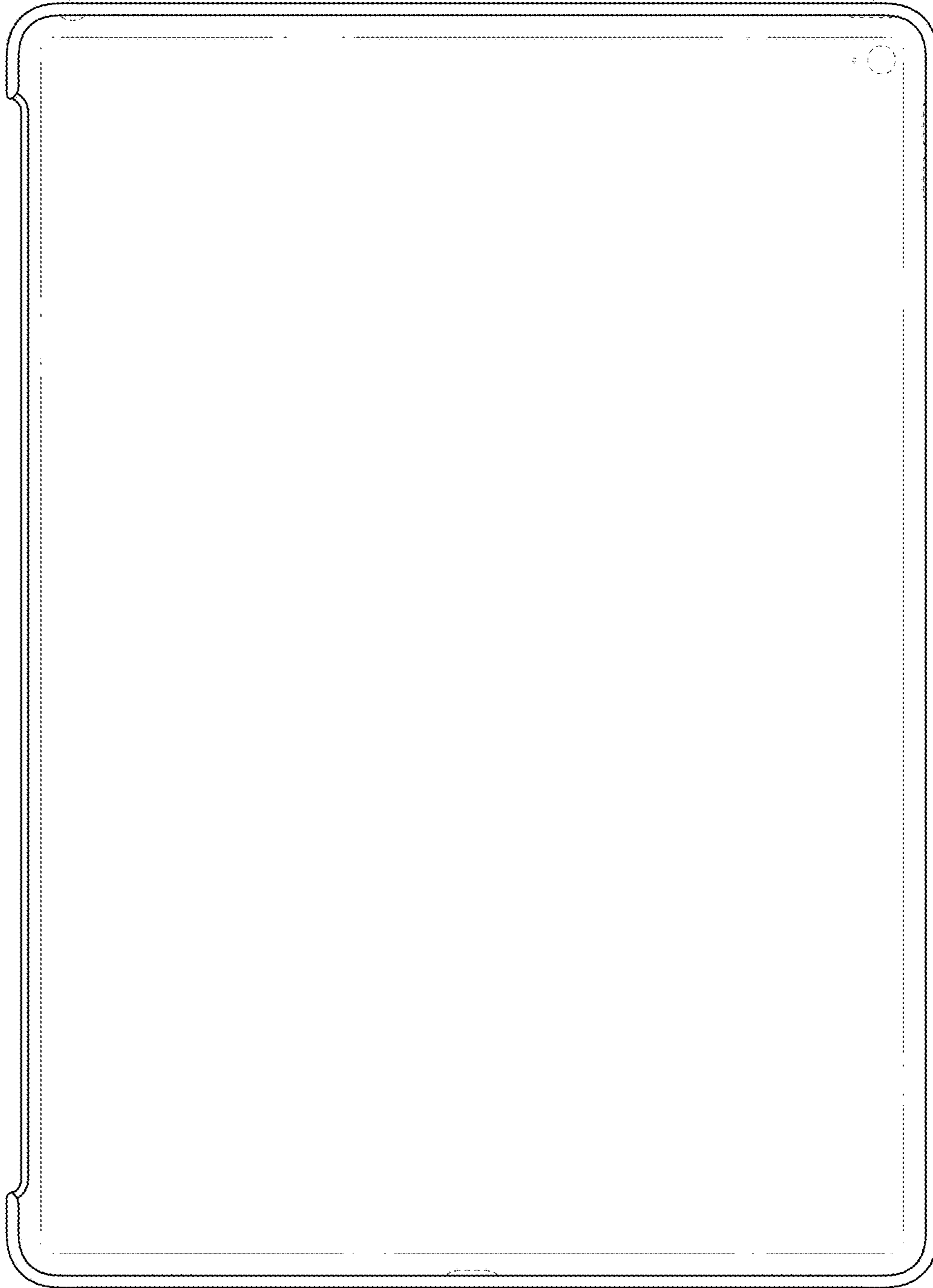


FIG. 7

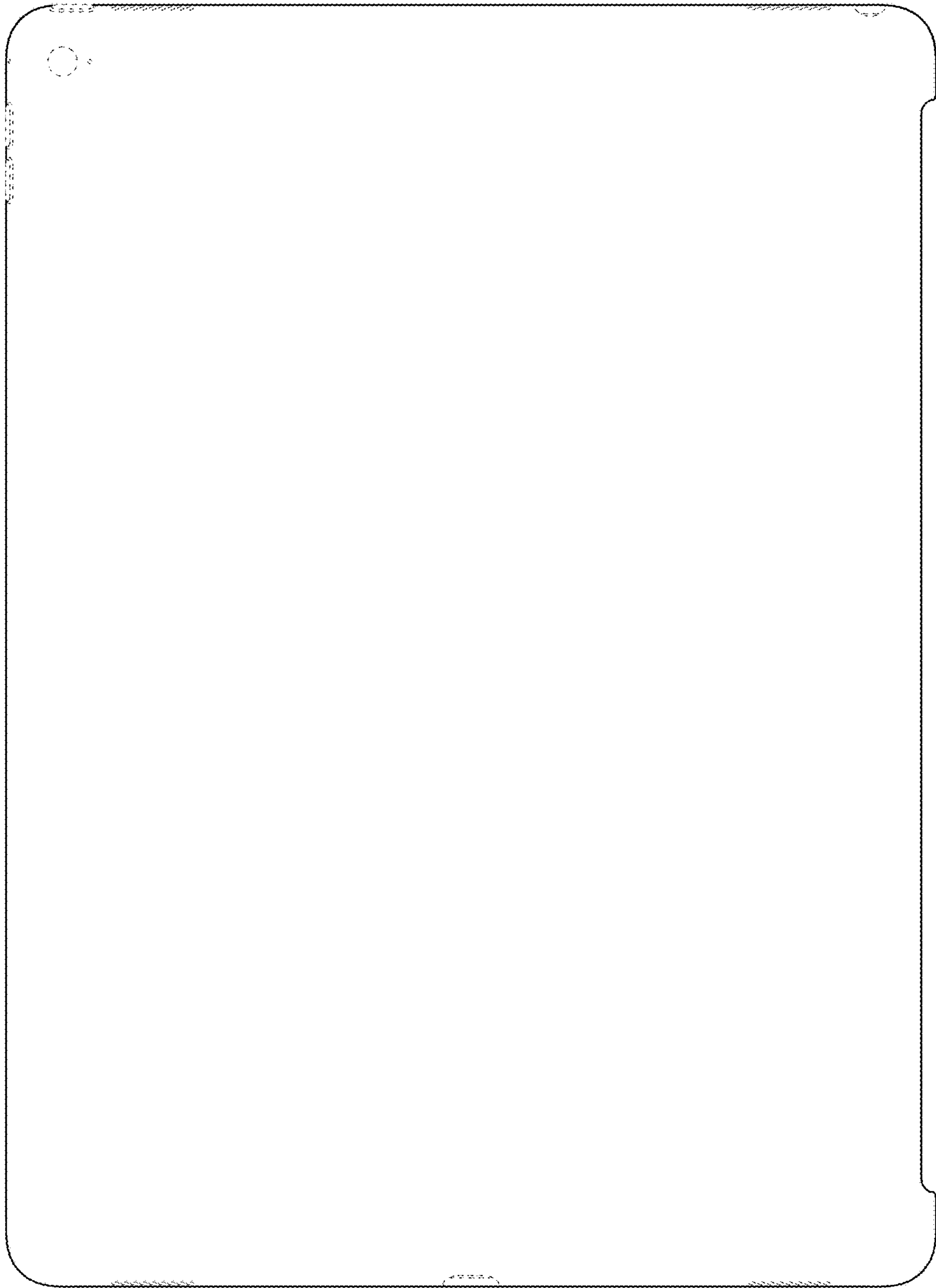


FIG. 8