



US00D795878S

(12) **United States Design Patent**
English et al.

(10) **Patent No.:** **US D795,878 S**

(45) **Date of Patent:** **** Aug. 29, 2017**

(54) **CASE FOR A TABLET COMPUTER**

(71) Applicant: **IDS GLOBAL, INC.**, Montgomery, TX (US)

(72) Inventors: **Stuart John English**, Rancho Santa Margarita, CA (US); **William Jack McNeish, III**, Newport Beach, CA (US); **John D. Slattum**, Montgomery, TX (US)

(73) Assignee: **IDS GLOBAL, INC.**, Montgomery, TX (US)

(**) Term: **15 Years**

(21) Appl. No.: **29/539,654**

(22) Filed: **Sep. 16, 2015**

(51) **LOC (10) Cl.** **14-02**

(52) **U.S. Cl.**
USPC **D14/440**

(58) **Field of Classification Search**
USPC D14/250, 440, 447, 253; 206/45.23, 320, 206/45.2, 316.2; 361/679.55; 294/25; 224/218
CPC G06F 1/1628; G06F 1/1613; G06F 1/1626; A47B 23/044
See application file for complete search history.

(56) **References Cited**

U.S. PATENT DOCUMENTS

D676,448 S * 2/2013 Gorman D14/440
D692,008 S * 10/2013 Feldstein D14/447

D693,350 S * 11/2013 Mish D14/440
D725,657 S * 3/2015 Glasgow D14/400
D742,890 S * 11/2015 Mecchella D14/440
D766,248 S * 9/2016 Holladay D14/440
2012/0043235 A1* 2/2012 Klement A45C 11/00
206/320

* cited by examiner

Primary Examiner — Cynthia Underwood
(74) *Attorney, Agent, or Firm* — Egbert Law Offices, PLLC

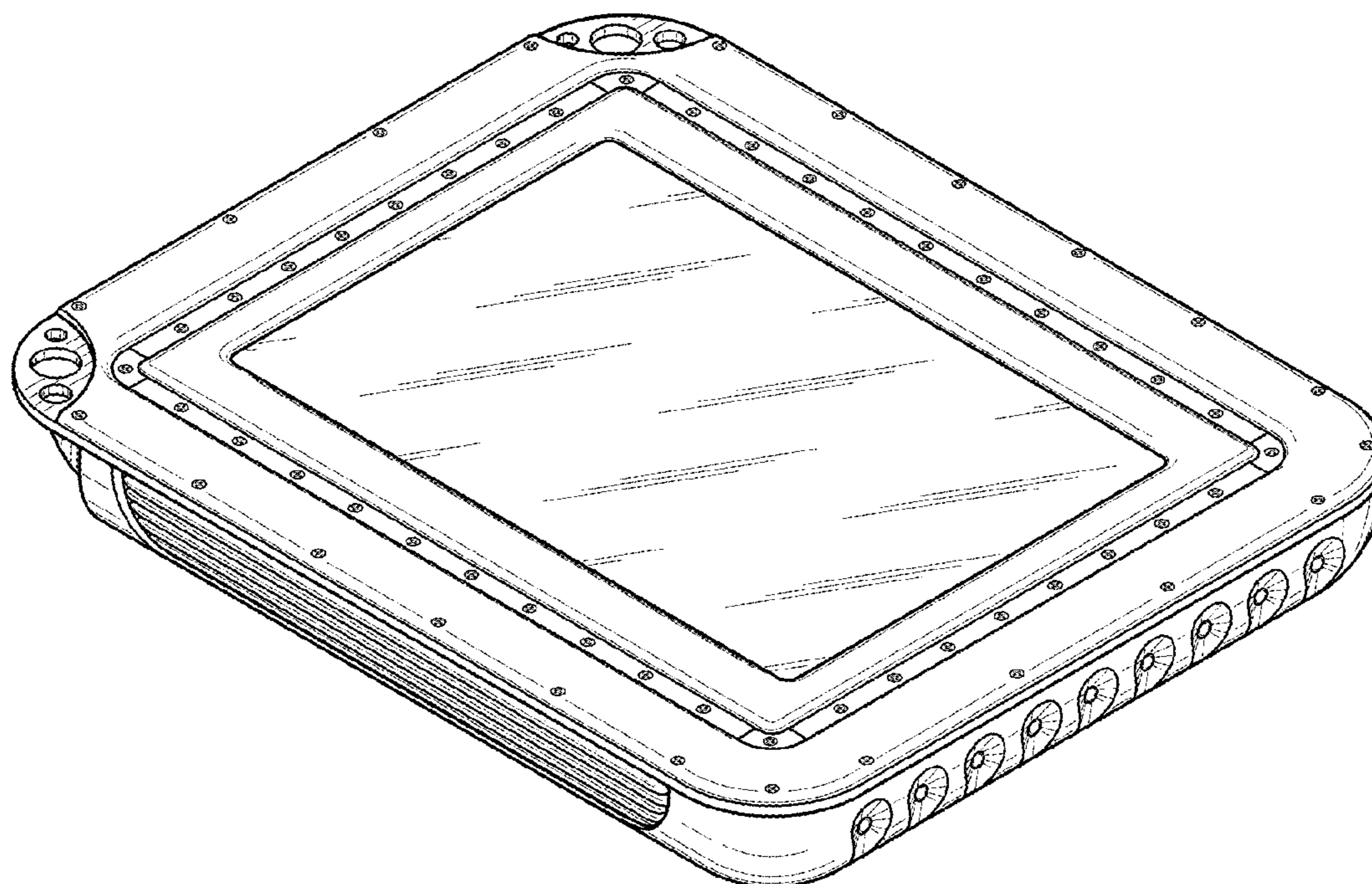
(57) **CLAIM**

The ornamental design for a case for a tablet computer, as shown and described.

DESCRIPTION

FIG. 1 is a perspective view of a case for a tablet computer showing our new design.
FIG. 2 is a top view thereof;
FIG. 3 is a bottom view thereof;
FIG. 4 is a front view thereof;
FIG. 5 is a rear view thereof;
FIG. 6 is a side view thereof; and,
FIG. 7 is an opposite side view thereof.
The features presented in broken lines represent unclaimed portions of the case for a tablet computer and form no part of the claimed design.

1 Claim, 3 Drawing Sheets



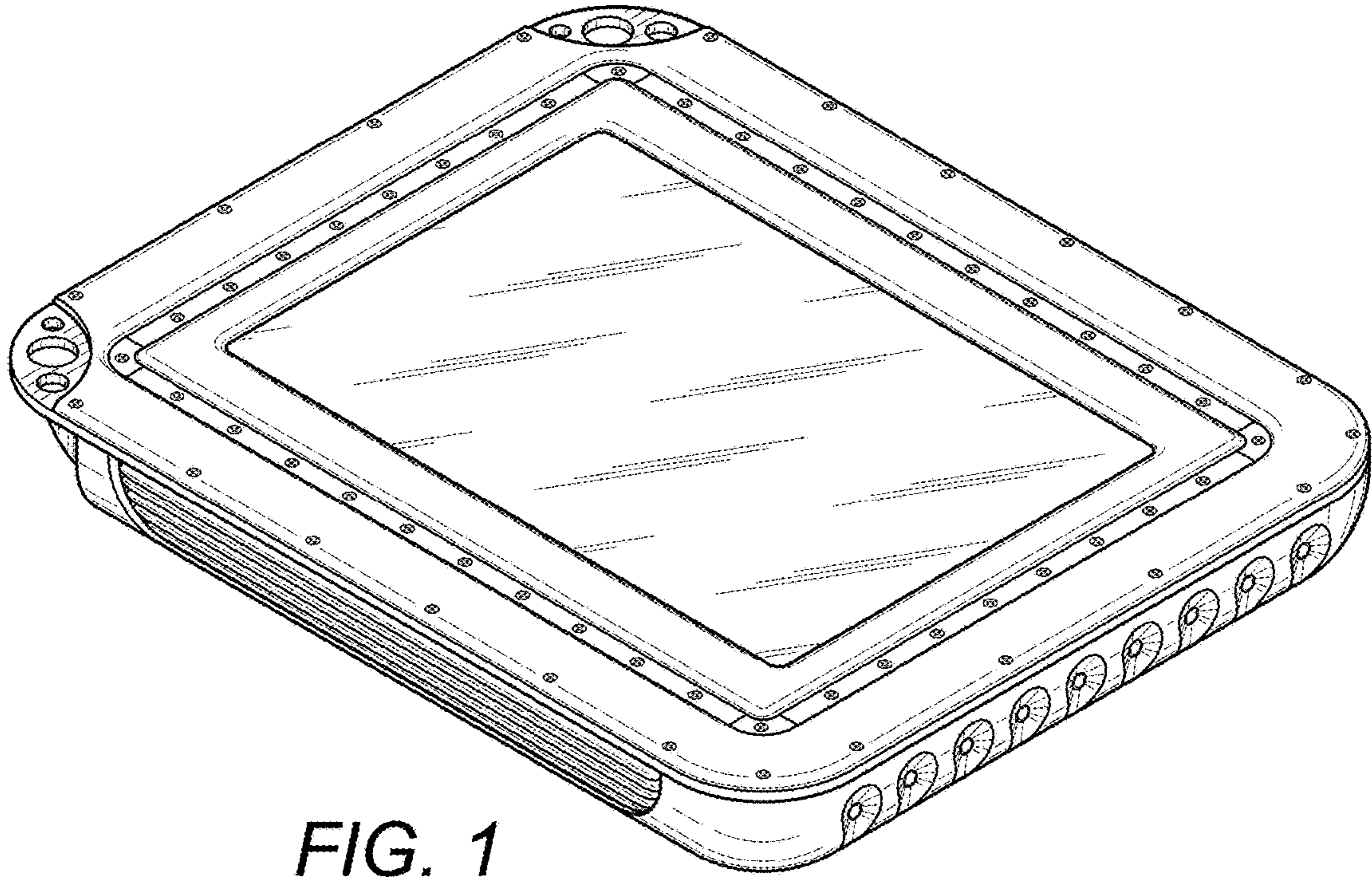


FIG. 1

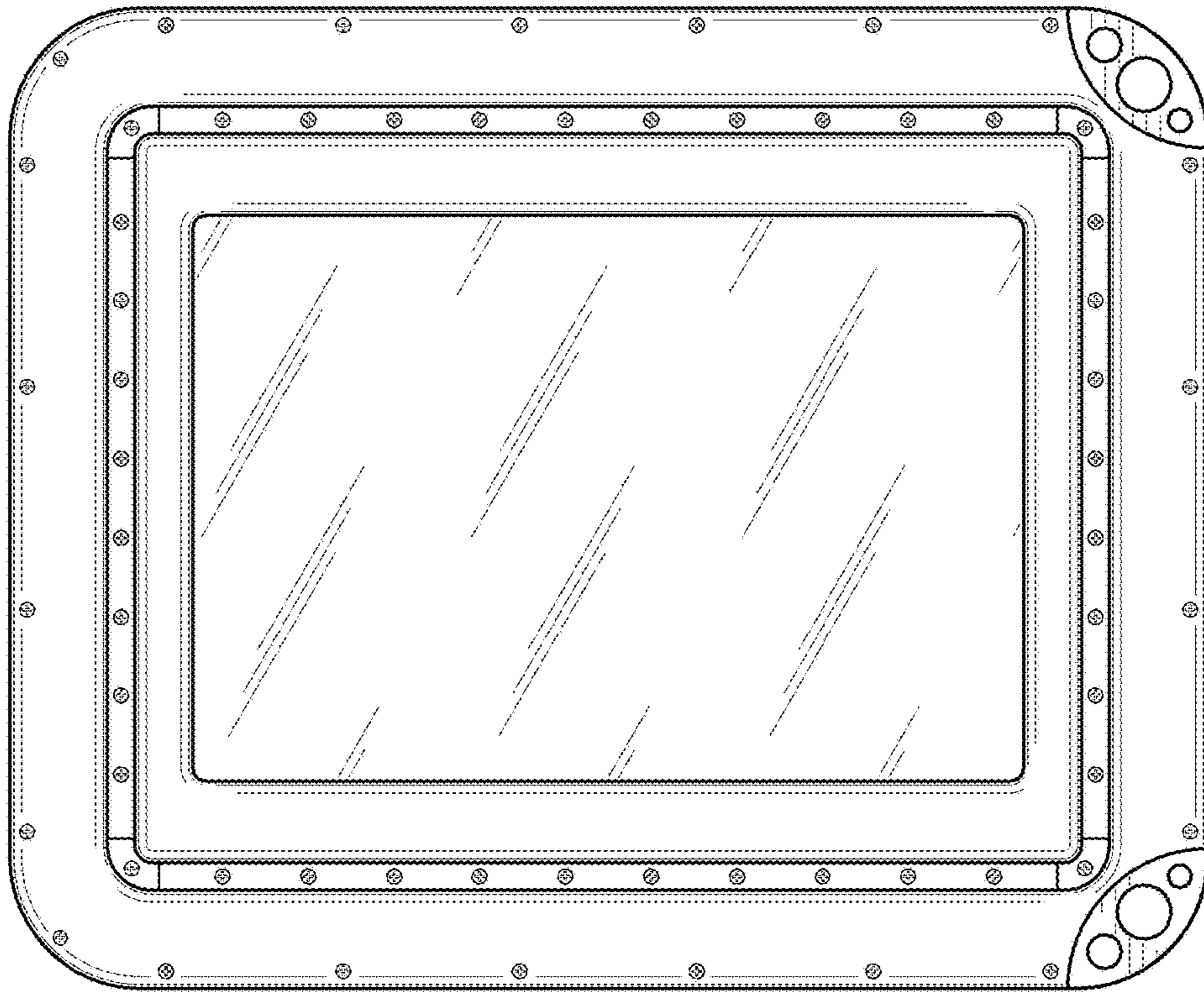


FIG. 2

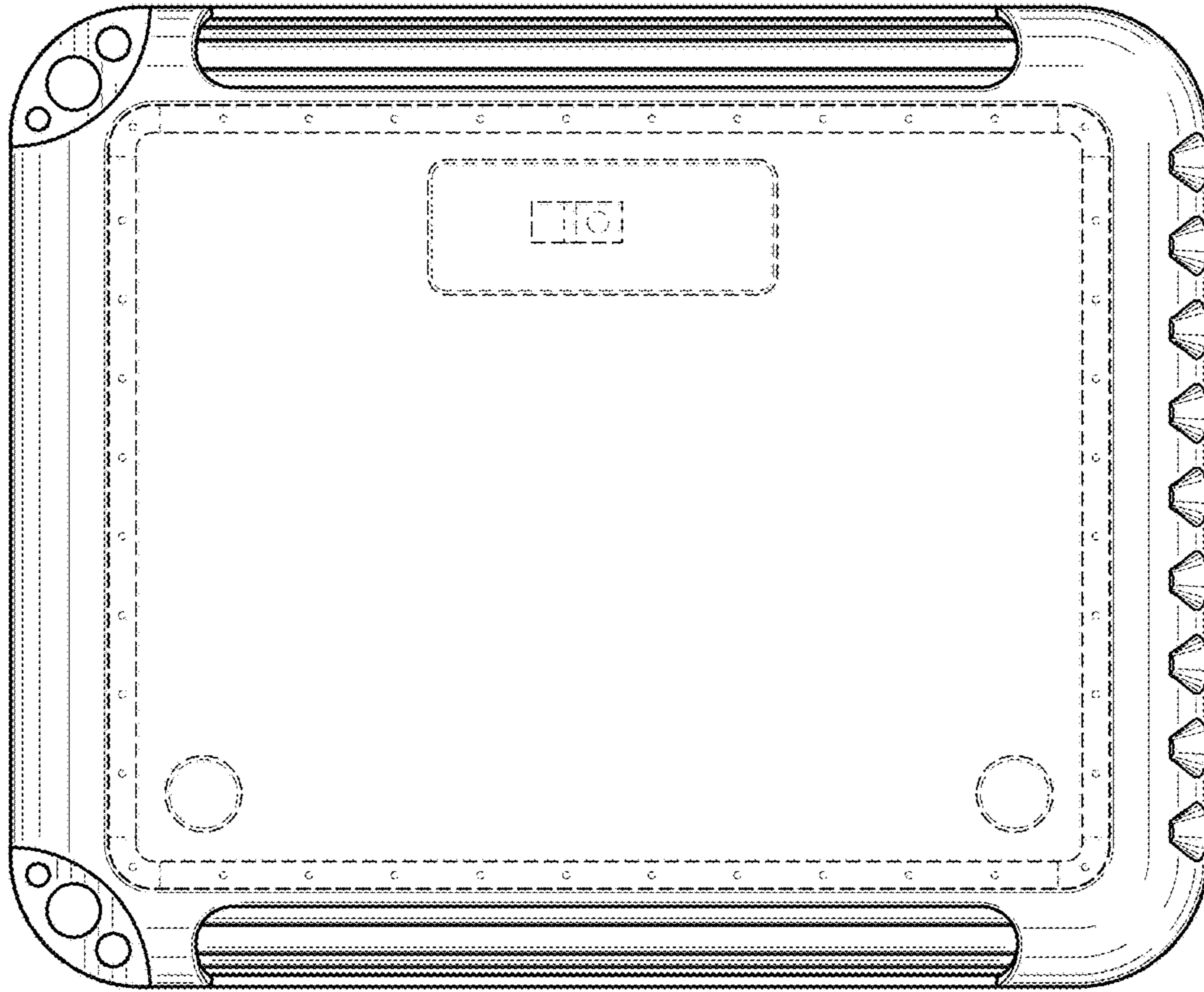


FIG. 3

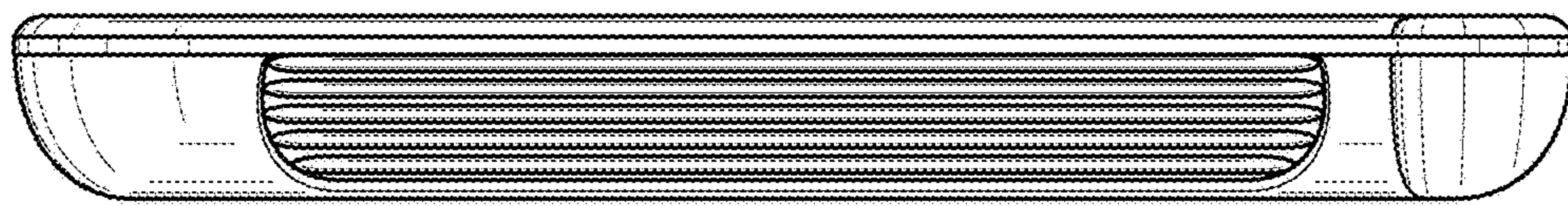


FIG. 4



FIG. 5

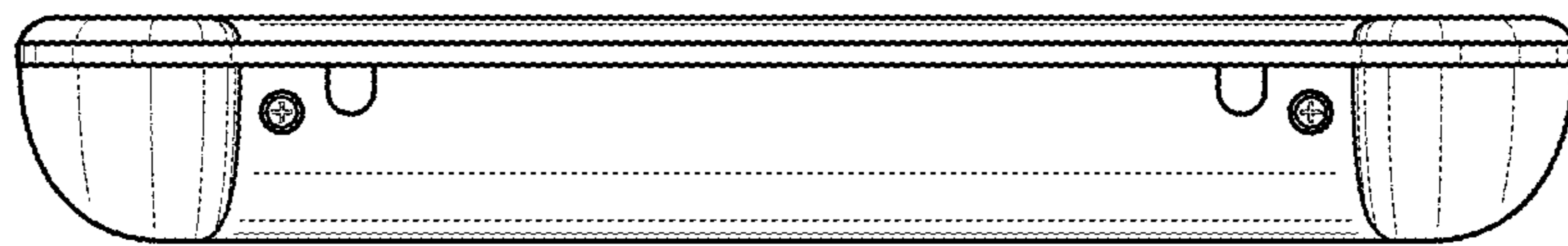


FIG. 6

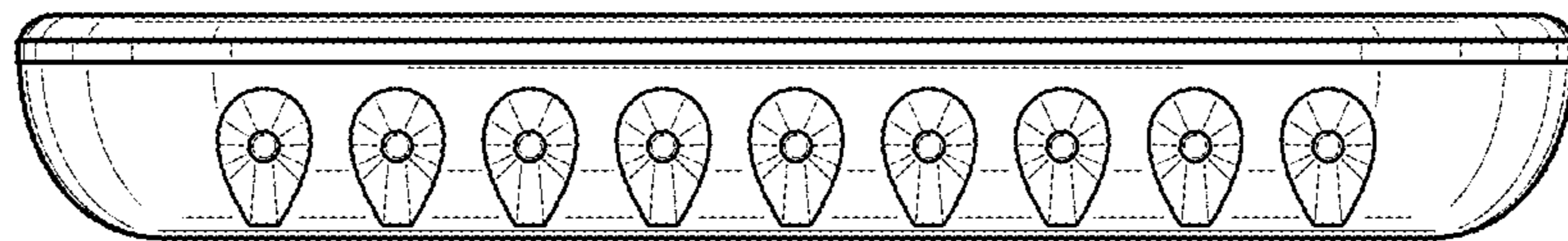


FIG. 7