



US00D795876S

(12) **United States Design Patent**  
**Fletcher et al.**

(10) **Patent No.:** **US D795,876 S**  
(45) **Date of Patent:** **\*\* Aug. 29, 2017**

(54) **DOCKING STATION FOR AN ELECTRONIC DEVICE**

(71) Applicant: **BlackBerry Limited**, Waterloo (CA)

(72) Inventors: **Jodie Elizabeth Fletcher**, Kanata (CA);  
**Brian Dennis Paschke**, Toronto (CA);  
**Joseph Michael Hofer**, Kitchener (CA);  
**Leonardo Aldana**, Walnut Creek, CA (US)

(73) Assignee: **BlackBerry Limited**, Waterloo, Ontario (CA)

(\*\*) Term: **15 Years**

(21) Appl. No.: **29/561,413**

(22) Filed: **Apr. 27, 2016**

**Related U.S. Application Data**

(62) Division of application No. 29/511,298, filed on Dec. 9, 2014, now Pat. No. Des. 757,730.

(51) **LOC (10) Cl.** ..... **14-02**

(52) **U.S. Cl.**  
USPC ..... **D14/434**

(58) **Field of Classification Search**  
USPC ..... D14/432-434, 314, 204, 420, 421, 447,  
D14/217, 358, 138 R, 140, 142, 253, 356,  
D14/496; D13/107, 108, 146; D8/373;  
248/346.03, 176.1; 361/679.41, 679.31,  
361/679.32, 679.4, 679.43, 679.55,  
361/679.58, 679.33; 320/107, 109,  
320/112-115; 710/15, 303; 455/557;  
439/347, 534

CPC .. H02J 7/0042; H02J 7/00; H02J 7/025; H02J 7/0044; H02J 7/0045; H02J 7/02; H02J 7/0027; H02J 7/0068; H01R 31/065;

H01R 13/6675; H01M 10/44; H01M 2/02; H01M 2/022; H01M 2/0202; F16M 11/10; Y02E 60/12; Y02E 60/122; Y02E 60/124; Y02T 90/14; Y02T 90/122; Y02T 90/128; Y02T 90/163; H04M 1/04; G06F 1/1654; G06F 1/1632; F21L 4/08; F21L 4/085

See application file for complete search history.

(56) **References Cited**

U.S. PATENT DOCUMENTS

D757,730 S \* 5/2016 Fletcher ..... D14/434

\* cited by examiner

*Primary Examiner* — Freda S Nunn

(74) *Attorney, Agent, or Firm* — Jon Gibbons; Fleit Gibbons Gutman Bongini & Bianco P.L.

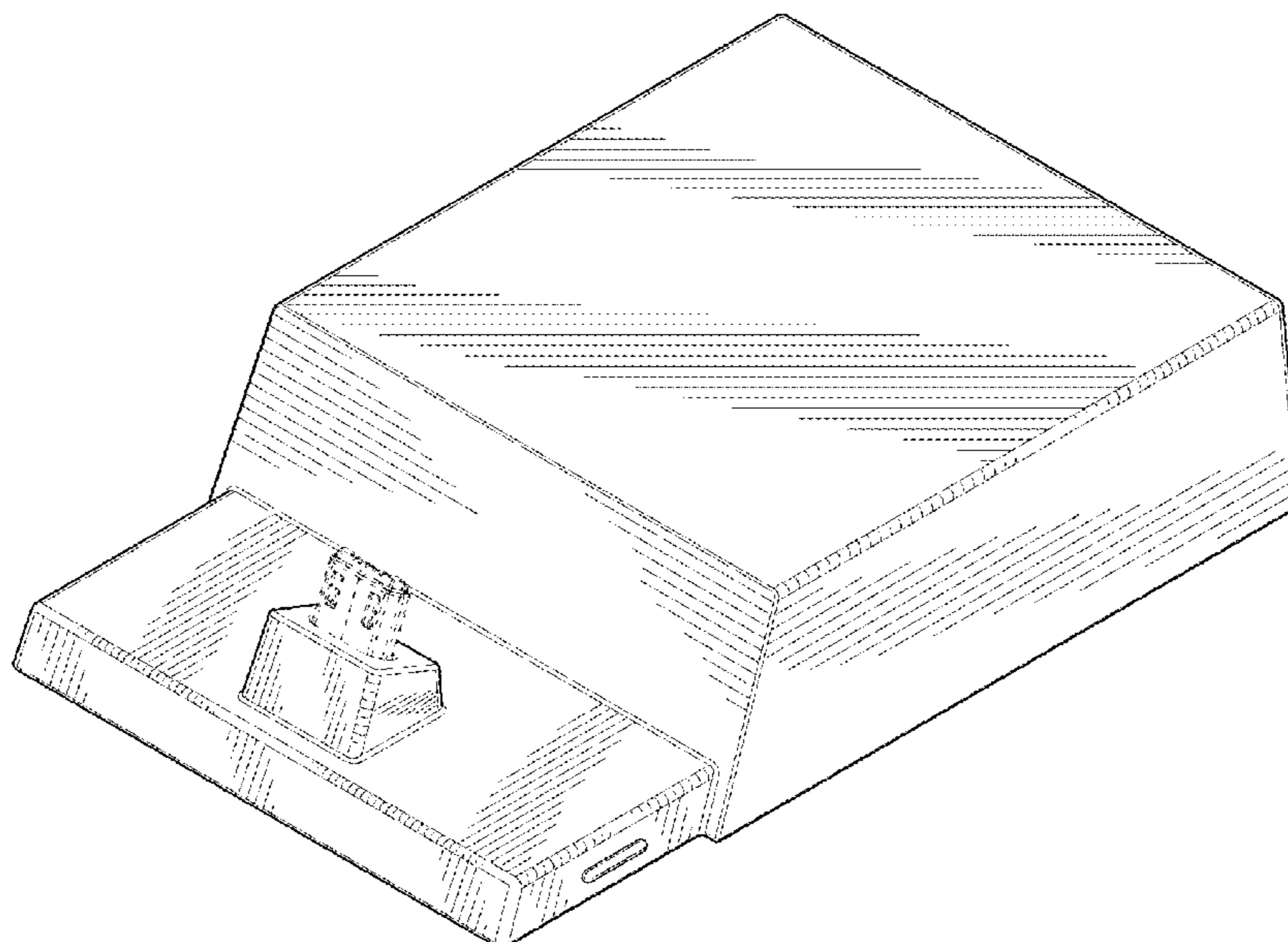
(57) **CLAIM**

The ornamental design for a docking station for an electronic device, as shown and described.

**DESCRIPTION**

FIG. 1 is a top perspective view of the docking station for an electronic device;  
FIG. 2 is bottom perspective view thereof;  
FIG. 3 is a front elevation view thereof;  
FIG. 4 is a rear elevation view thereof;  
FIG. 5 is a first side elevation view thereof;  
FIG. 6 is a second side elevation view thereof;  
FIG. 7 is a top plan view thereof; and,  
FIG. 8 is a bottom plan view thereof.  
Broken lines shown in the Figures form no part of the claimed design.

**1 Claim, 6 Drawing Sheets**



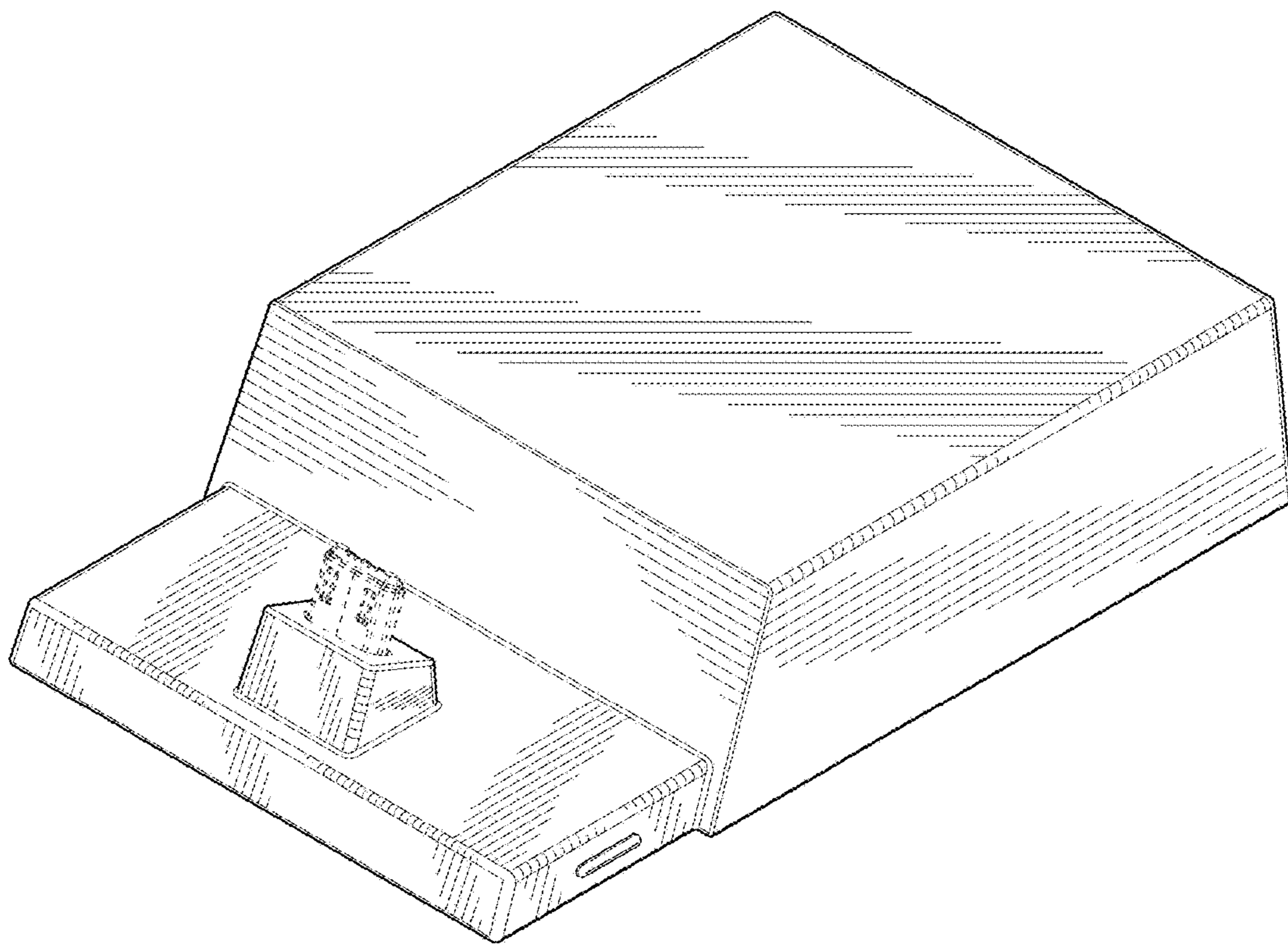


FIG.1

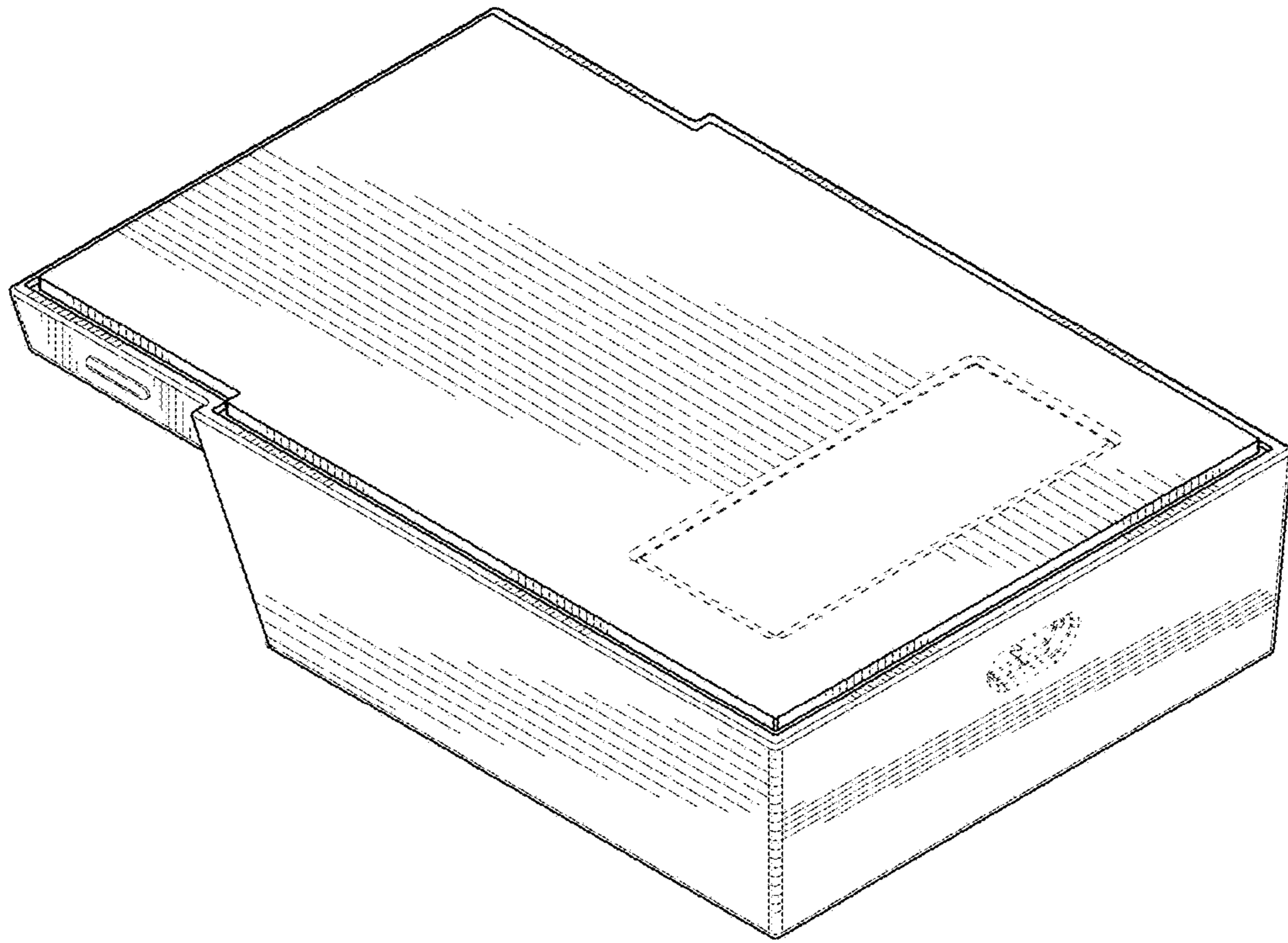


FIG.2

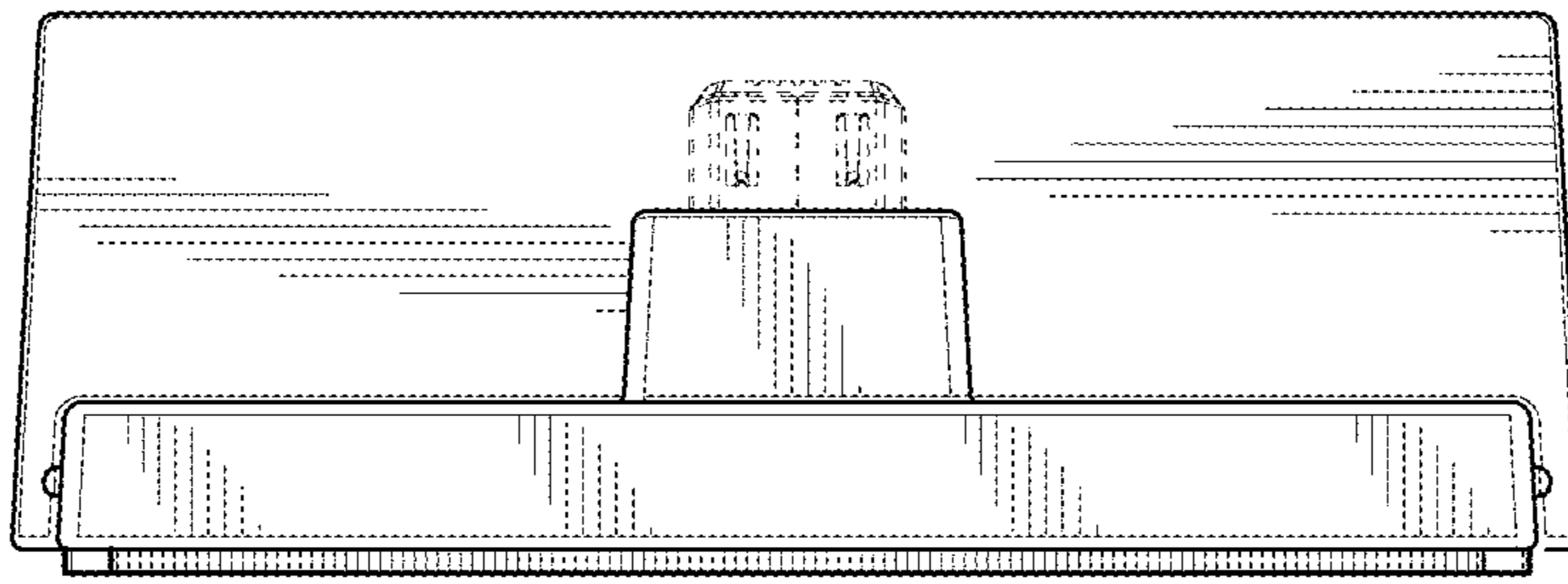


FIG.3

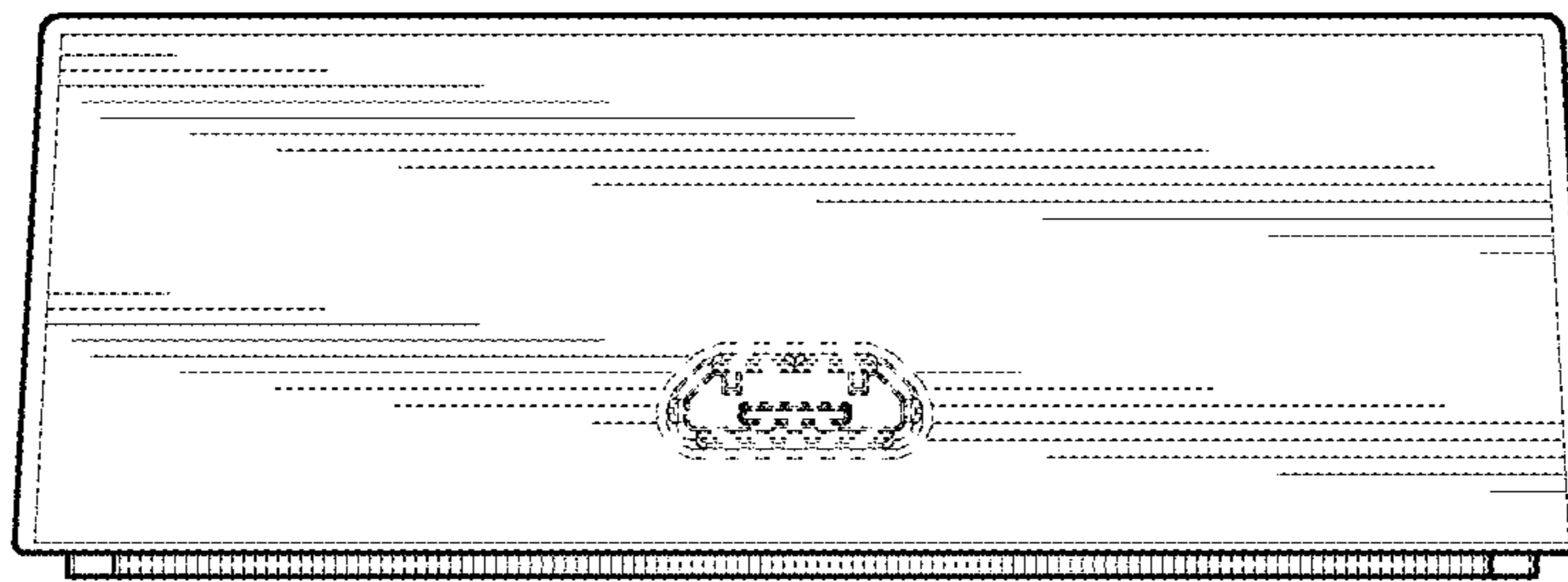


FIG.4

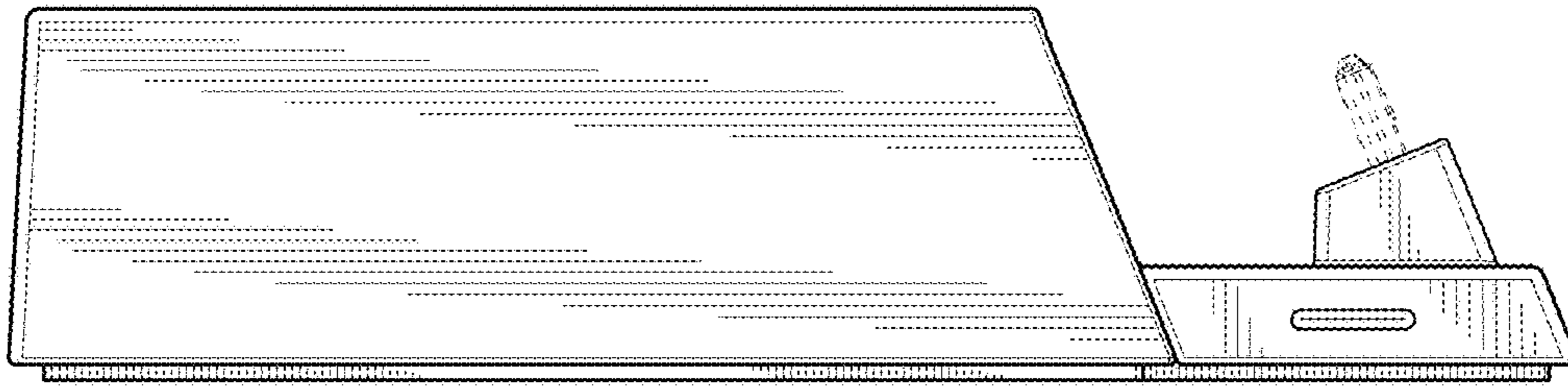


FIG. 5

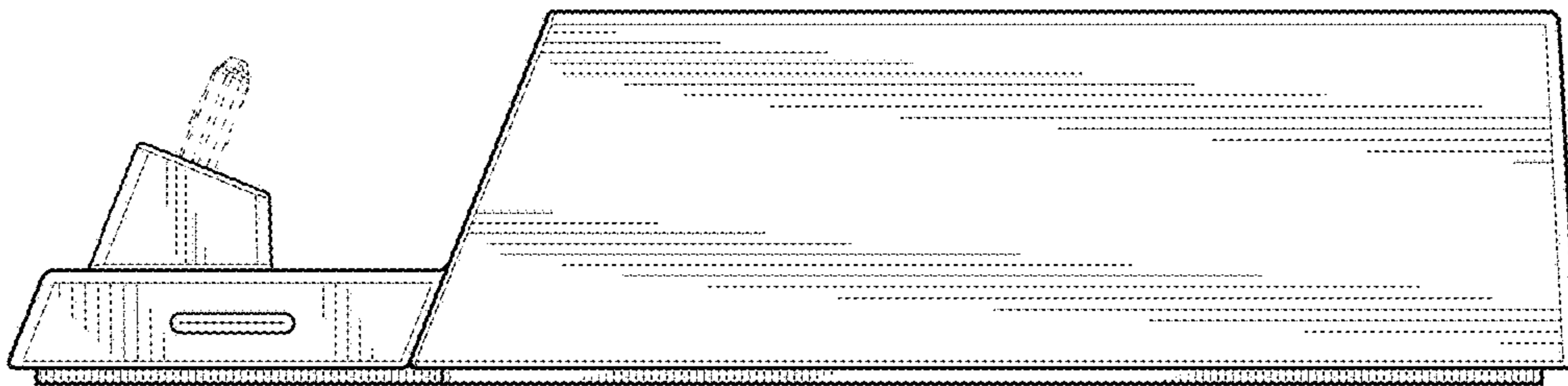


FIG. 6

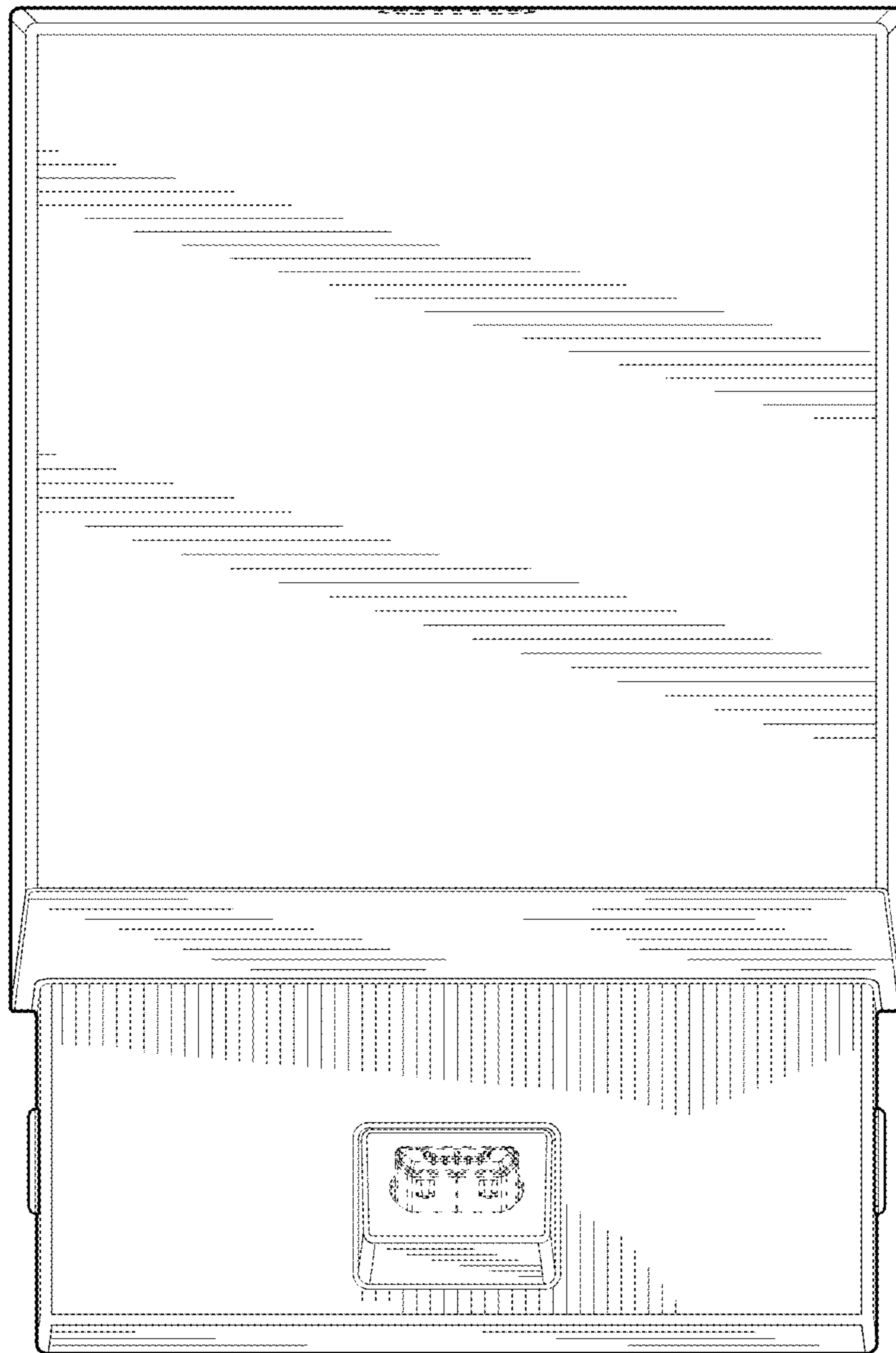


FIG.7

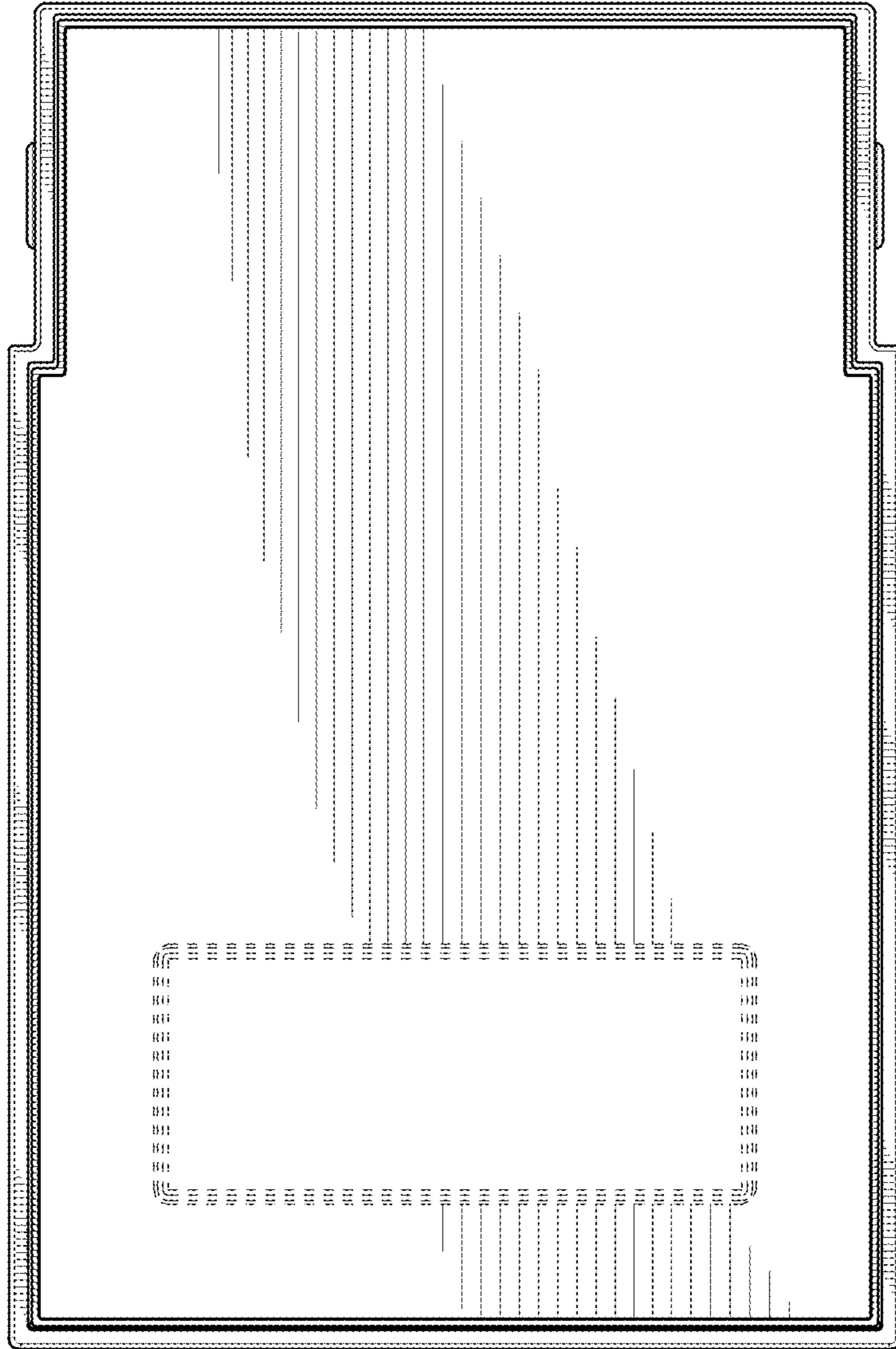


FIG.8