



US00D795875S

(12) **United States Design Patent**
Kim

(10) **Patent No.:** **US D795,875 S**

(45) **Date of Patent:** **** Aug. 29, 2017**

(54) **CONNECTOR FOR A MOBILE PHONE**

(71) Applicant: **Kum Oh Electronics CO., LTD.**,
Bucheon-si (KR)

(72) Inventor: **Ki Sang Kim**, Bucheon-si (KR)

(73) Assignee: **KUM OH ELECTRONICS CO., LTD.**,
Bucheon-si (KR)

(**) Term: **15 Years**

(21) Appl. No.: **29/593,910**

(22) Filed: **Feb. 14, 2017**

(51) **LOC (10) Cl.** **14-02**

(52) **U.S. Cl.**
USPC **D14/433**

(58) **Field of Classification Search**
USPC D14/356, 432-434, 453, 454, 511, 203.8,
D14/209.1, 238.1, 240, 125; 439/638,
439/928, 105, 502; 710/303, 304;
361/679.41, 679.55, 679.56; D13/110,
D13/133, 146
CPC H01R 24/64; H01R 24/62; H01R 12/714;
H01R 13/506; H01R 13/6658
See application file for complete search history.

(56) **References Cited**

U.S. PATENT DOCUMENTS

D706,752 S * 6/2014 Myung D14/240
D708,603 S * 7/2014 Kim D14/253

D730,903 S * 6/2015 Langhammer D14/433
D731,489 S * 6/2015 Langhammer D14/433
9,499,373 B1 * 11/2016 Kim A47F 7/024
9,521,227 B2 * 12/2016 Kim H02G 3/185
D782,484 S * 3/2017 Hu D14/433
D783,620 S * 4/2017 Uggla D14/435.1
D784,340 S * 4/2017 Laffon de Mazieres D14/433
9,659,471 B2 * 5/2017 Kim G08B 13/1409
D789,372 S * 6/2017 Trishaun D14/433

* cited by examiner

Primary Examiner — Austin Murphy

(74) *Attorney, Agent, or Firm* — Cantor Colburn LLP

(57) **CLAIM**

The ornamental design for a connector for a mobile phone,
as shown and described.

DESCRIPTION

FIG. 1 is a front side perspective view of a connector for a
mobile phone showing my new design;
FIG. 2 is a rear side perspective view thereof;
FIG. 3 is a front elevational view thereof;
FIG. 4 is a rear elevational view thereof;
FIG. 5 is a left side elevational view thereof;
FIG. 6 is a right side elevational view thereof;
FIG. 7 is a top plan view thereof; and,
FIG. 8 is a bottom plan view thereof.

1 Claim, 8 Drawing Sheets

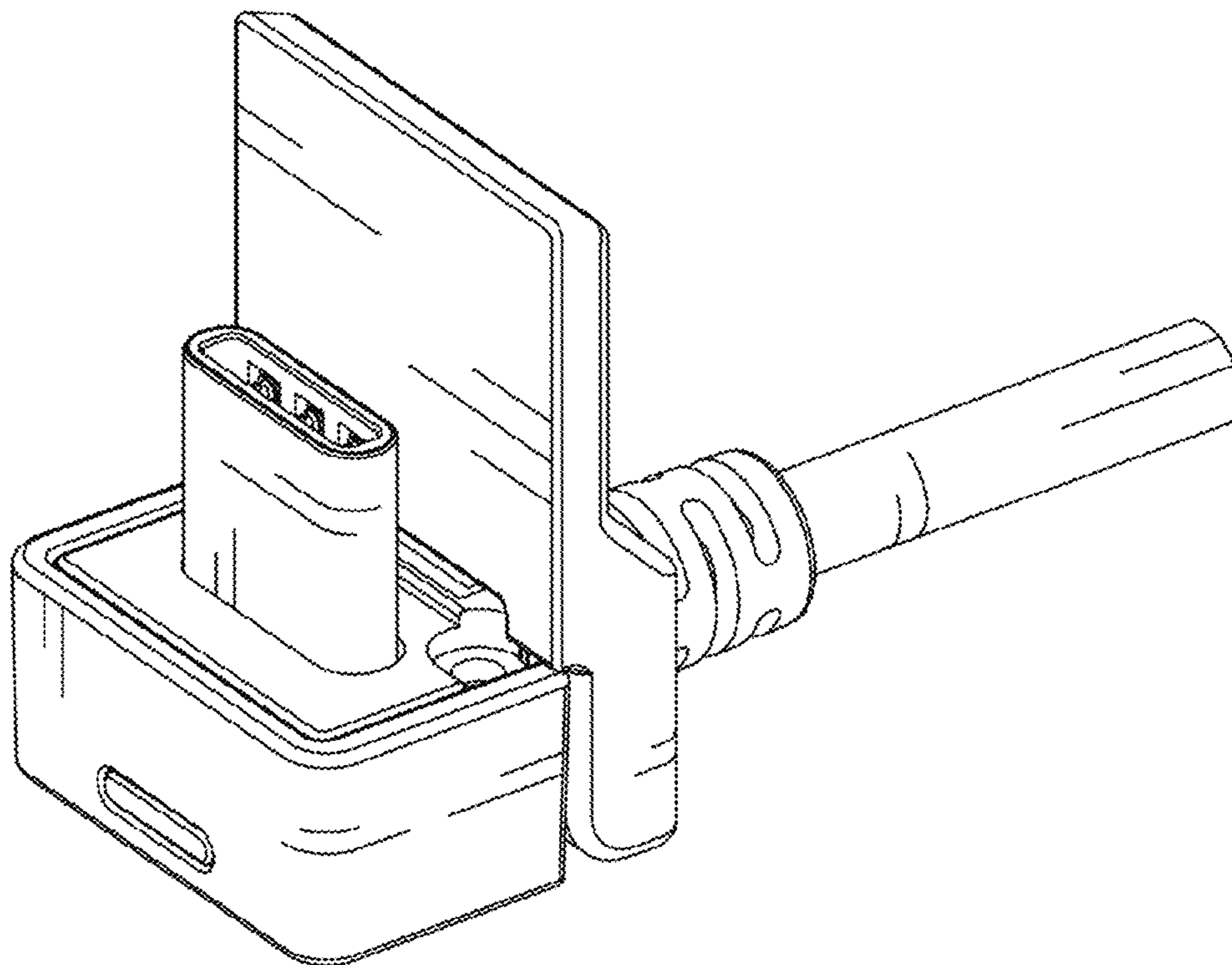


FIG. 1

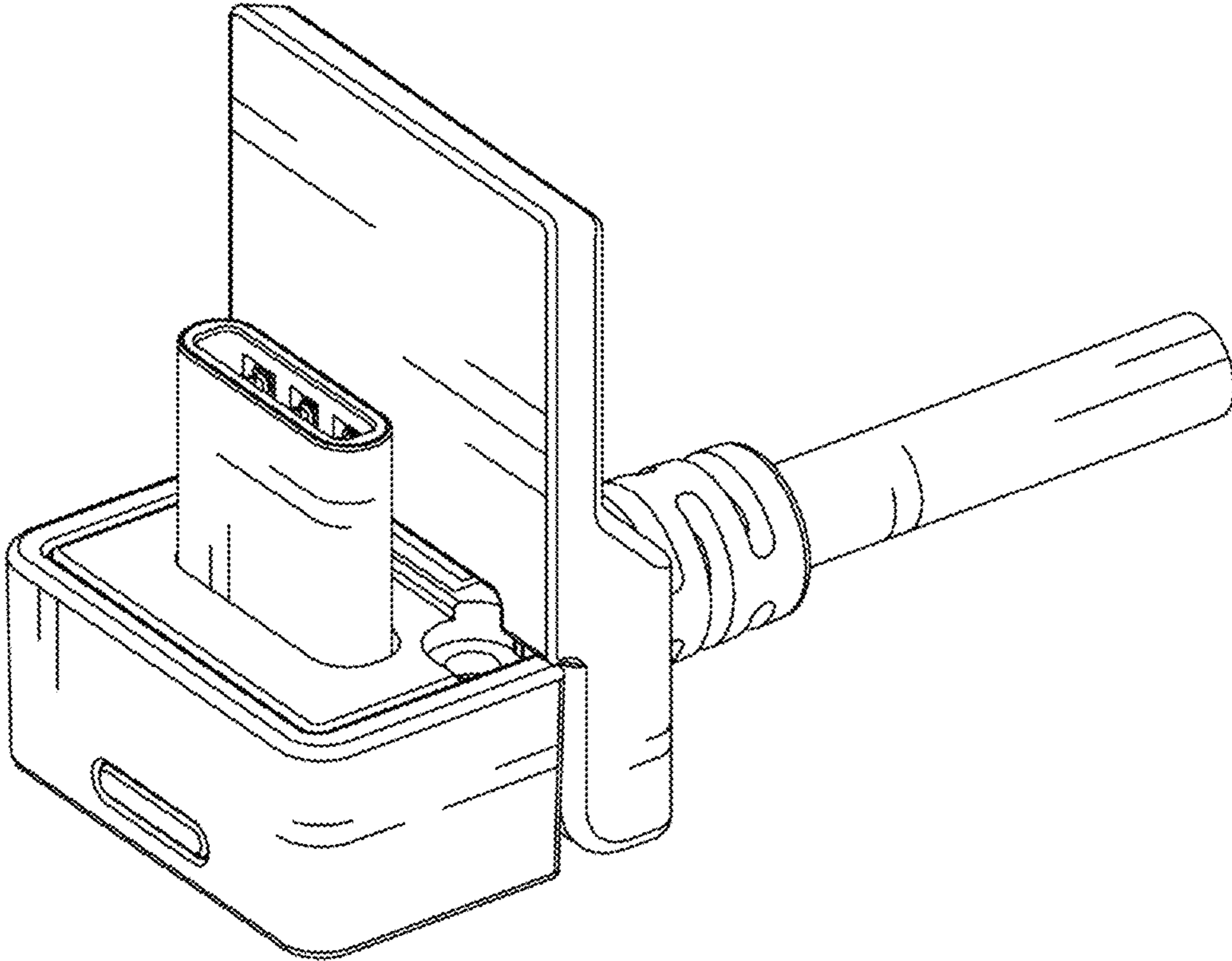


FIG. 2

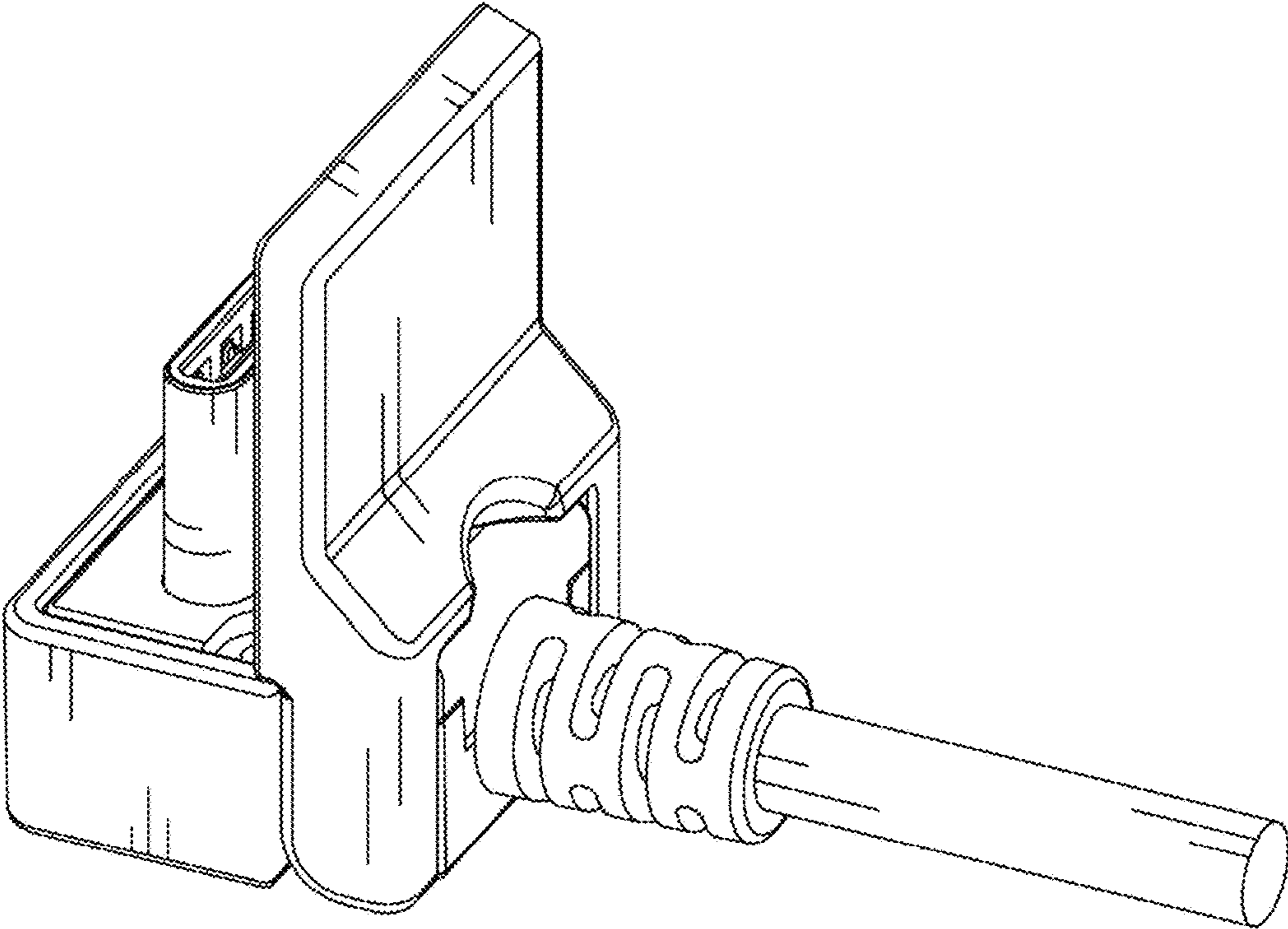


FIG. 3

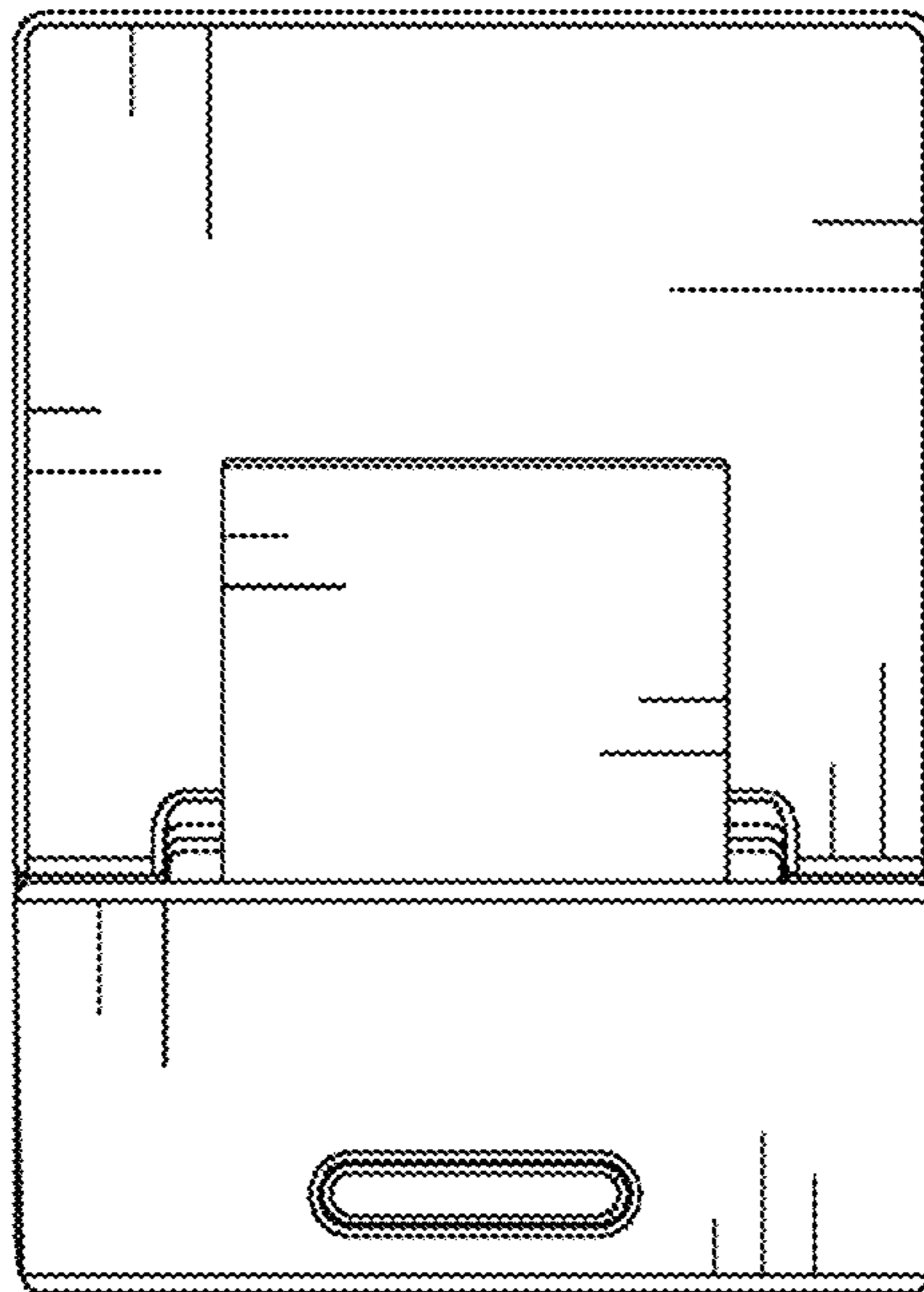


FIG. 4

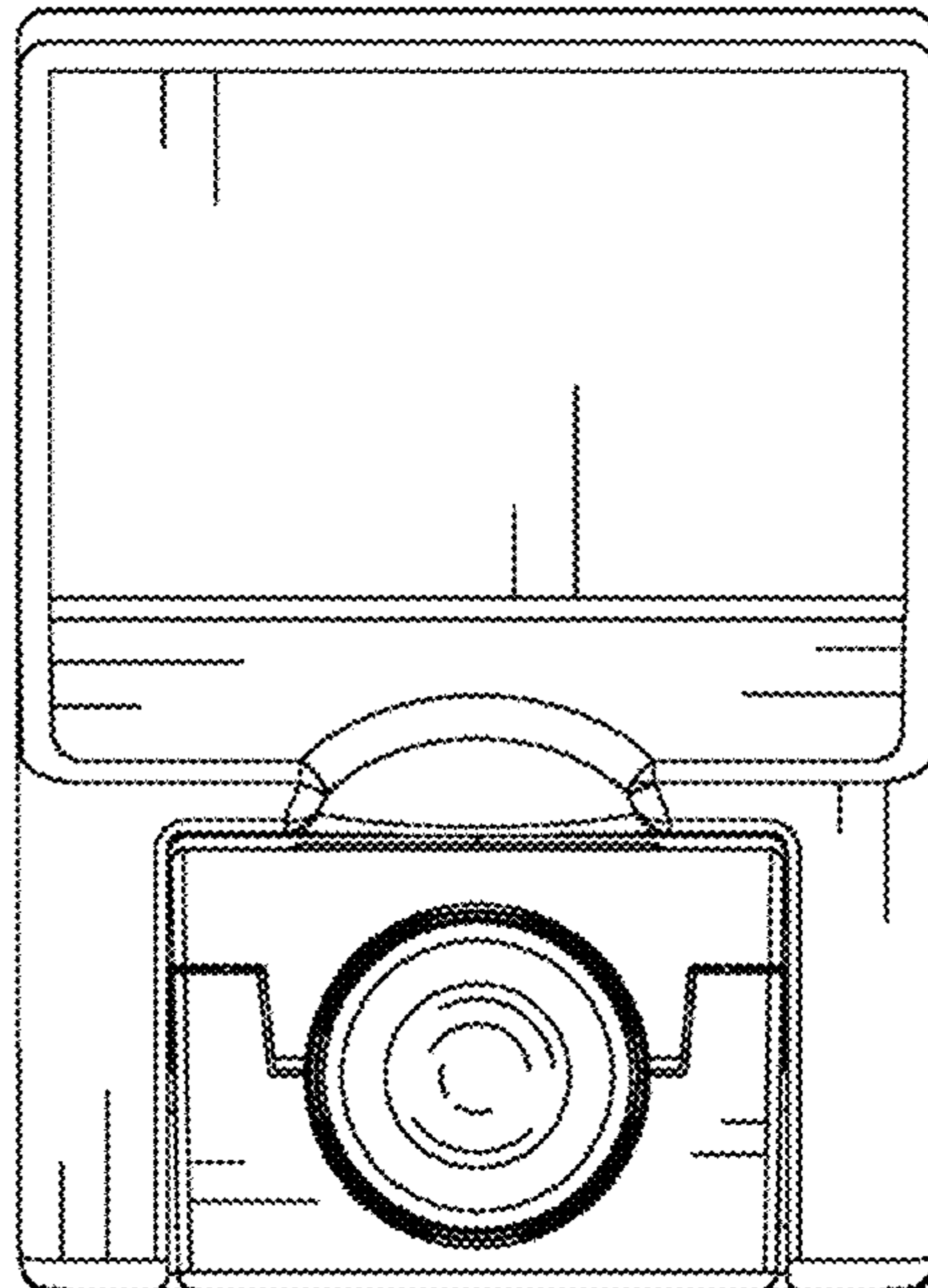


FIG. 5

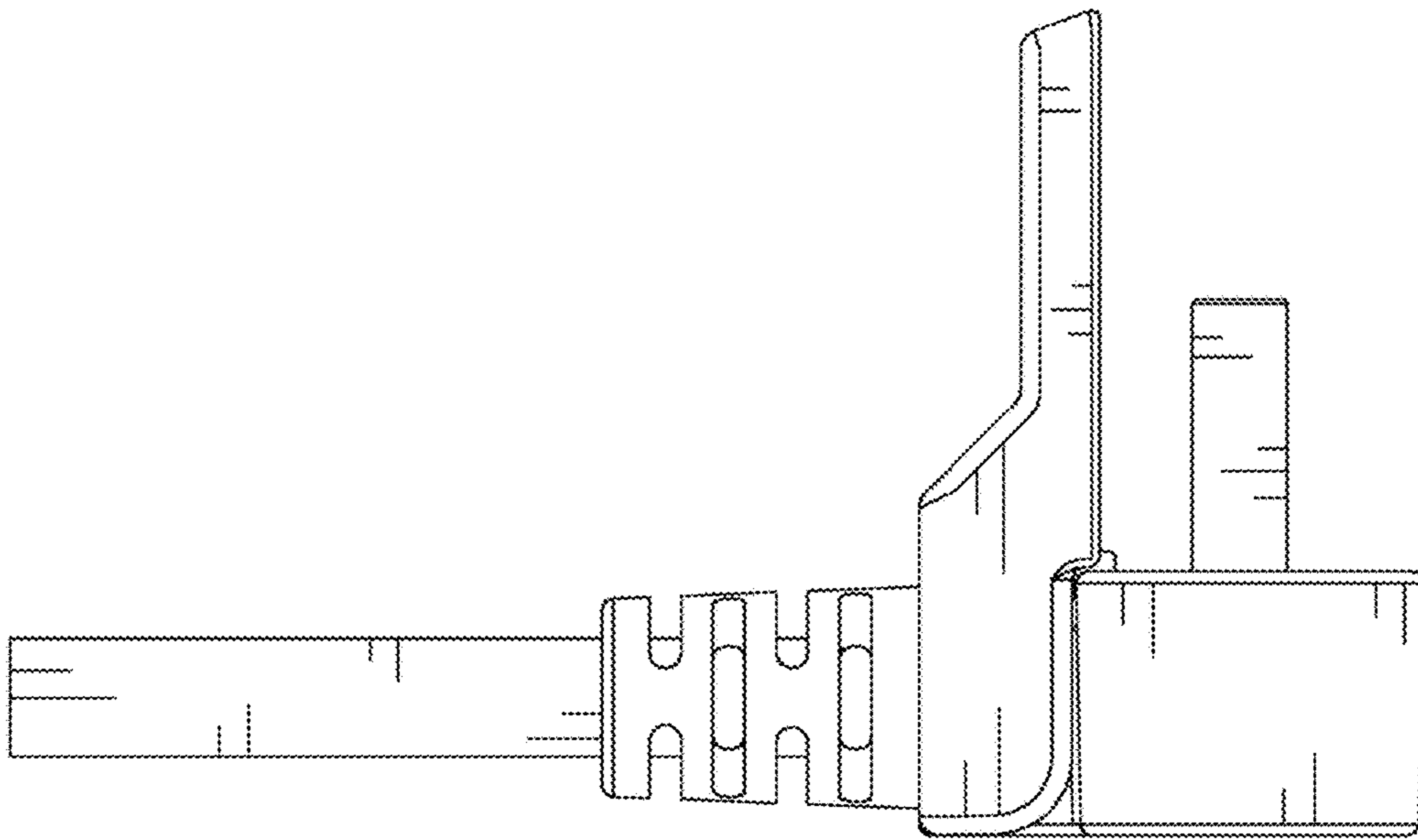


FIG. 6

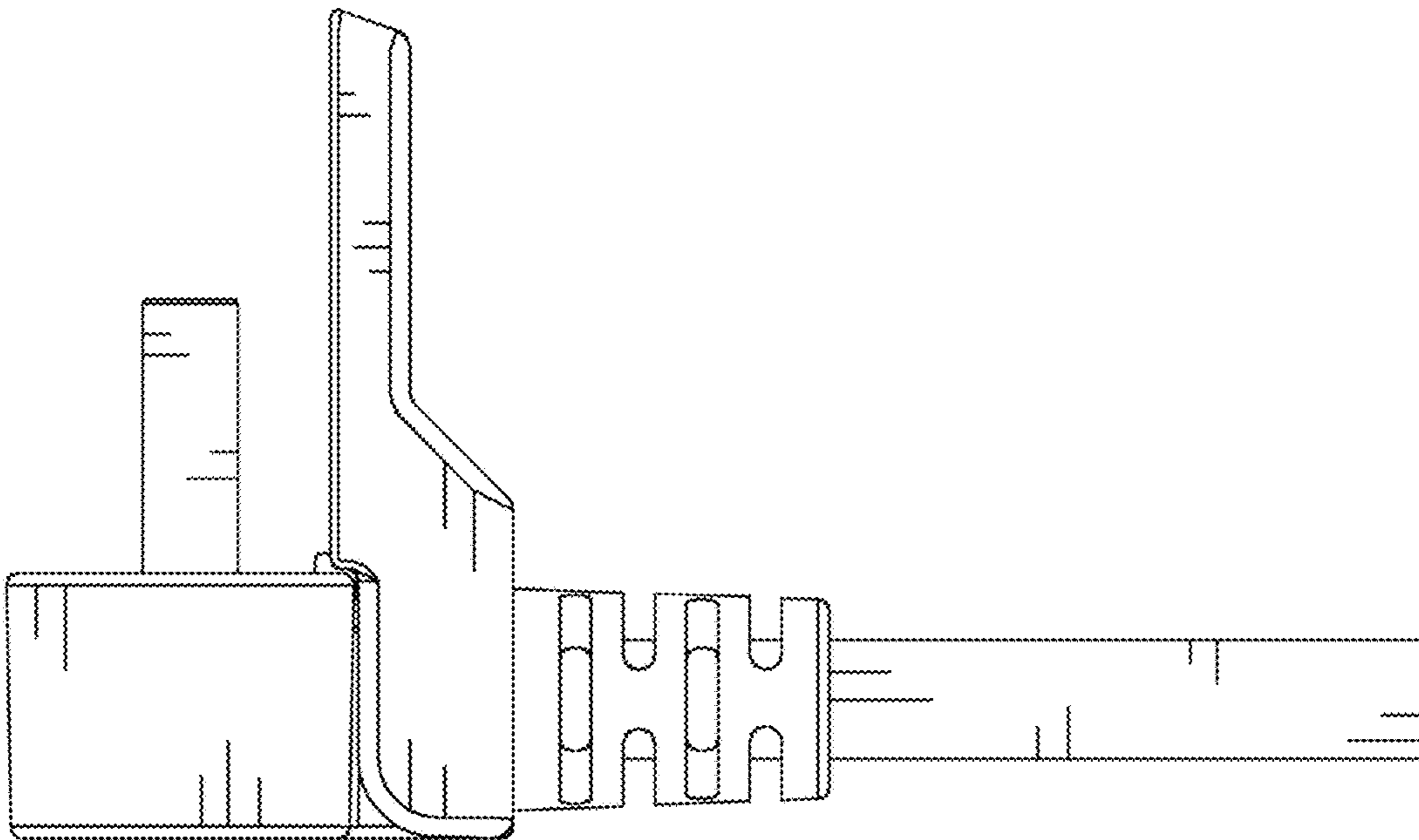


FIG. 7

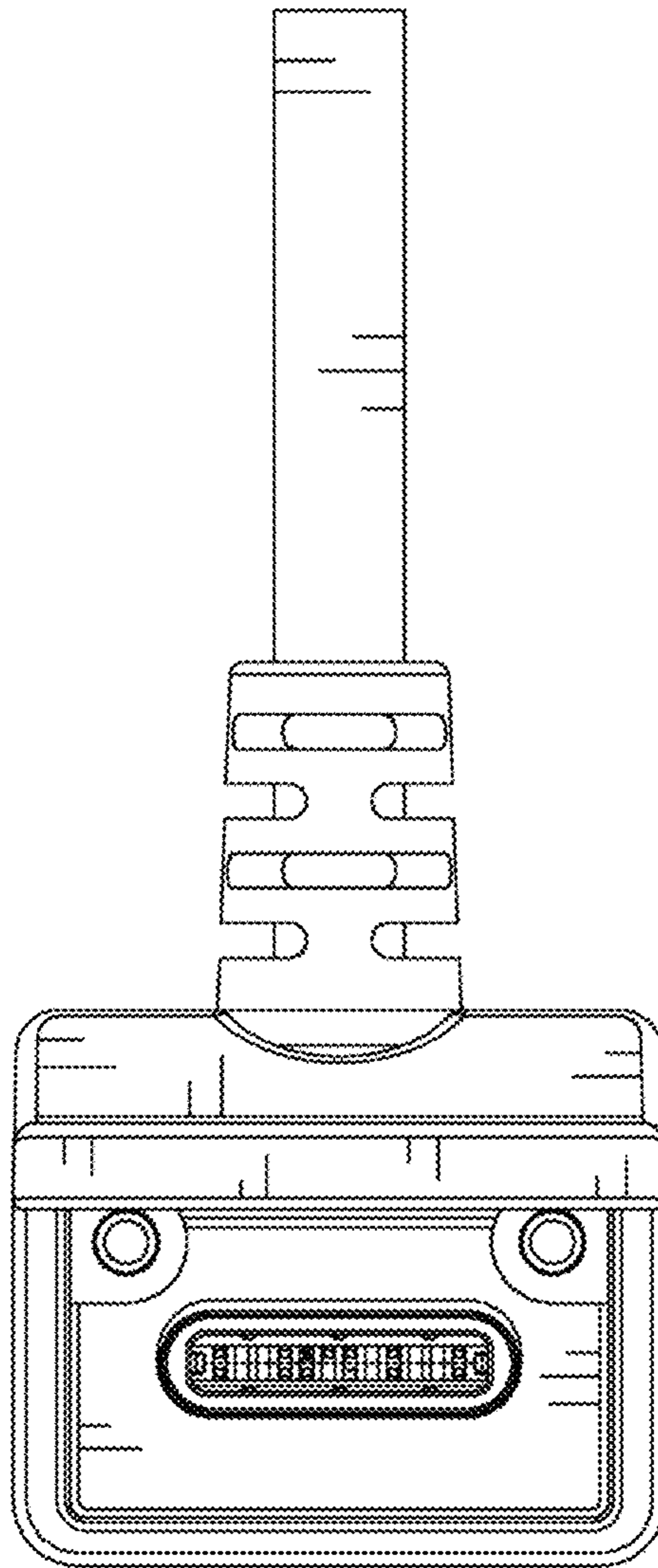


FIG. 8

