



US00D795873S

(12) **United States Design Patent**  
**Jiang et al.**

(10) **Patent No.:** **US D795,873 S**

(45) **Date of Patent:** **\*\* Aug. 29, 2017**

(54) **FOLDING KEYBOARD**

(71) Applicant: **Shenzhen Hastech Industries Co., Ltd.**, Shenzhen (CN)

(72) Inventors: **Wei Jiang**, Shenzhen (CN); **Yunfu Luo**, Shenzhen (CN); **Shumeng Cai**, Shenzhen (CN); **Tianxiang Zheng**, Shenzhen (CN)

(73) Assignee: **Shenzhen Hastech Industries Co., Ltd.**, Shenzhen, Guangdong Province (CN)

(\*\*) Term: **15 Years**

(21) Appl. No.: **29/567,443**

(22) Filed: **Jun. 9, 2016**

(30) **Foreign Application Priority Data**

Dec. 23, 2015 (CN) ..... 2015 3 0553185

(51) **LOC (10) Cl.** ..... **14-02**

(52) **U.S. Cl.**  
USPC ..... **D14/393**

(58) **Field of Classification Search**  
USPC .... D14/391-399, 455, 456; D18/1, 2, 7, 11; 178/17 A, 17 C; 200/5 A, 5 R, 6 A, 6 R; 235/145 A, 145 R; 341/20-23; 345/156, 345/160, 168, 169, 173; 361/679.08, 361/679.09, 679.11-679.19; 400/484-489, 492, 472  
CPC ..... G06F 1/16; G06F 1/1616; G06F 1/162; G06F 1/1601; G06F 1/1626; G06F 3/0202; G06F 1/1632; G06F 3/0221; G09B 13/04; H03M 11/00; H03K 17/94; H05K 5/00; H01H 3/125; H01H 13/705; H01H 13/14; B41J 5/08; B41J 5/00; B41J 5/12

See application file for complete search history.

(56) **References Cited**

U.S. PATENT DOCUMENTS

D470,493 S \* 2/2003 Tritschler ..... D14/393  
6,594,142 B2 \* 7/2003 Katz ..... G06F 1/1626  
341/22  
6,999,008 B2 \* 2/2006 Wang ..... G06F 1/1632  
341/22  
D557,263 S \* 12/2007 Griffin ..... D14/393  
D616,886 S \* 6/2010 Andre ..... D14/392  
D745,520 S \* 12/2015 Jiang ..... D14/392

\* cited by examiner

*Primary Examiner* — Freda S Nunn

(74) *Attorney, Agent, or Firm* — Hayes Soloway PC

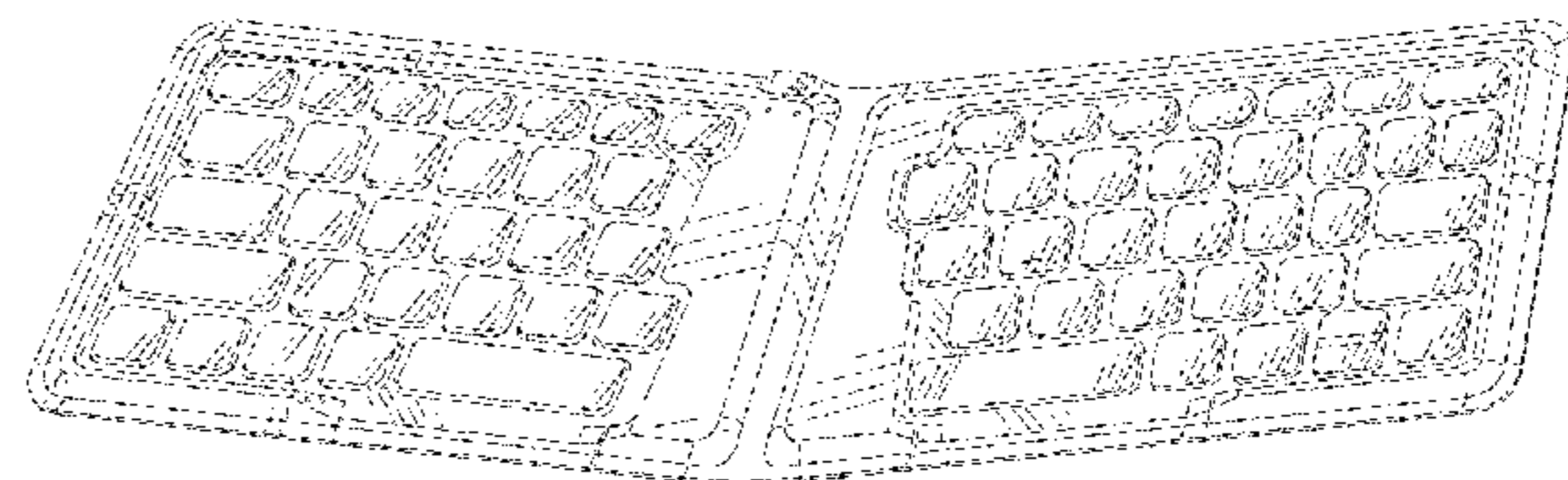
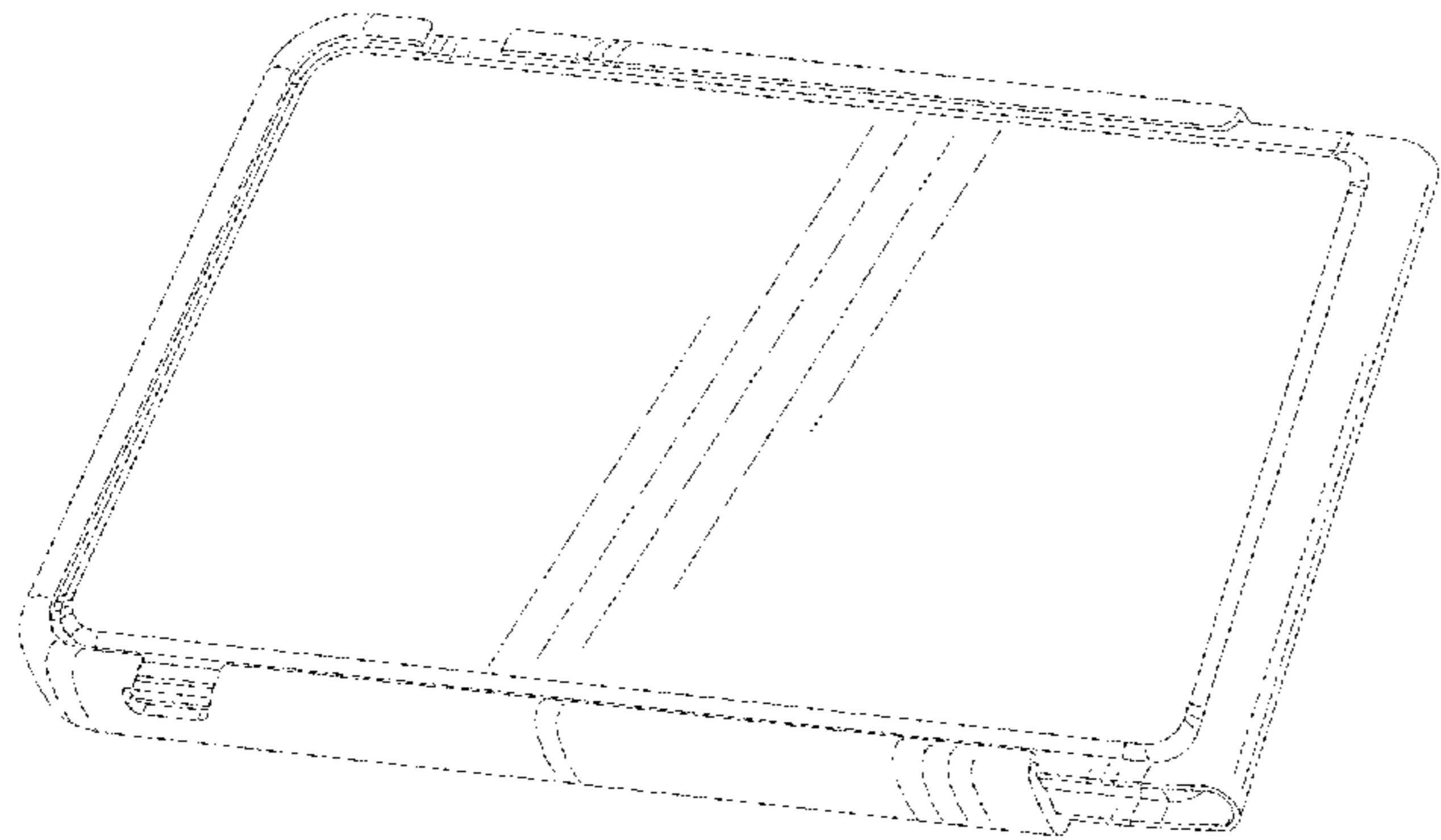
(57) **CLAIM**

We claim the ornamental design for a folding keyboard, as shown and described.

**DESCRIPTION**

FIG. 1 is a perspective view of the folding keyboard;  
FIG. 2 is a front view thereof;  
FIG. 3 is a rear view thereof;  
FIG. 4 is a left view thereof;  
FIG. 5 is a right view thereof;  
FIG. 6 is a top view thereof;  
FIG. 7 is a bottom view thereof;  
FIG. 8 is an exploded view thereof;  
FIG. 9 is a perspective view thereof shown in an unfolded state;  
FIG. 10 is a perspective view thereof shown in a folded state;  
FIG. 11 is a front view thereof shown in an unfolded state;  
FIG. 12 is a rear view thereof;  
FIG. 13 is a left view thereof;  
FIG. 14 is a right view thereof;  
FIG. 15 is a top view thereof; and,  
FIG. 16 is a bottom view thereof.

**1 Claim, 16 Drawing Sheets**



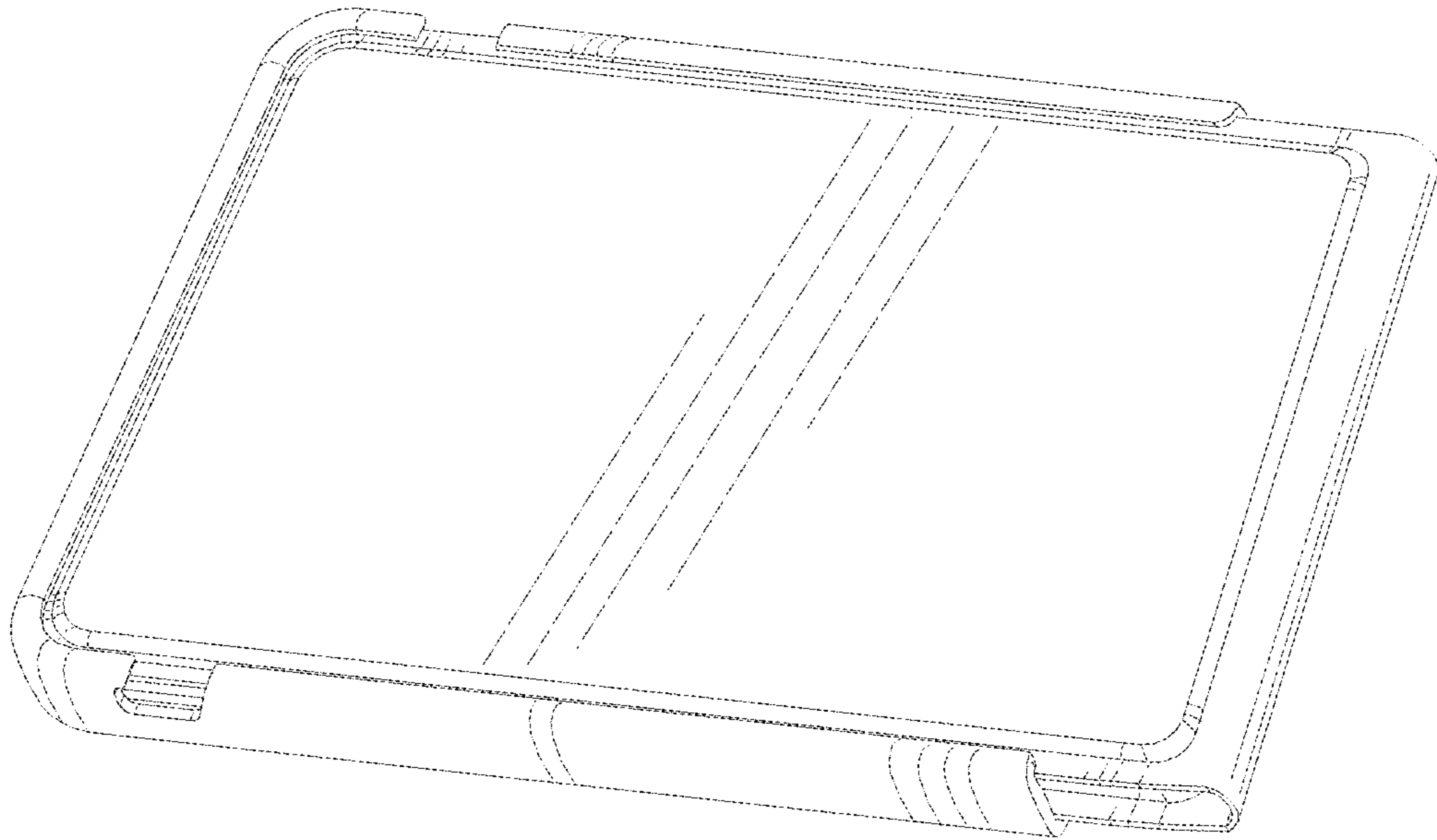


Fig. 1

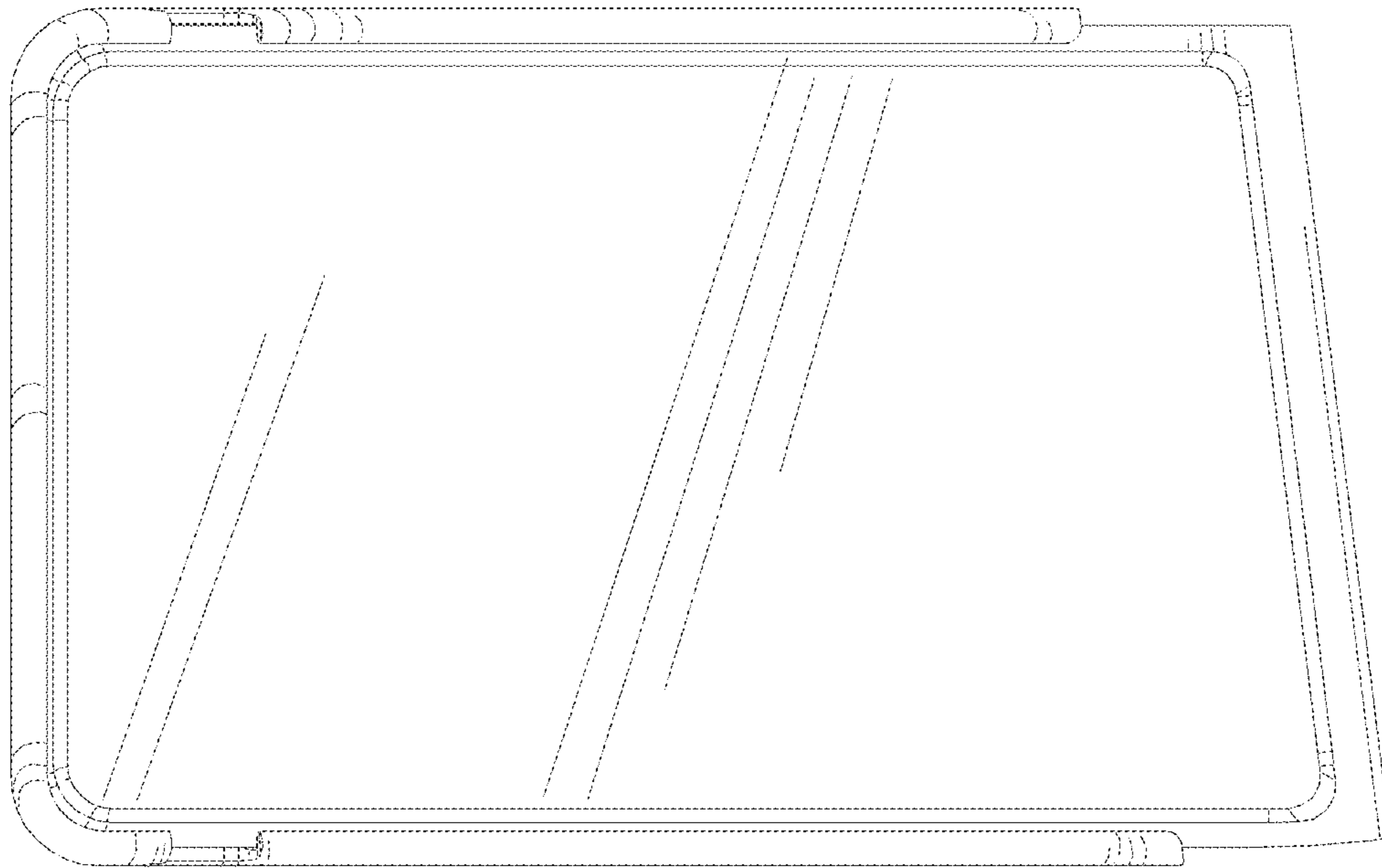


Fig.2

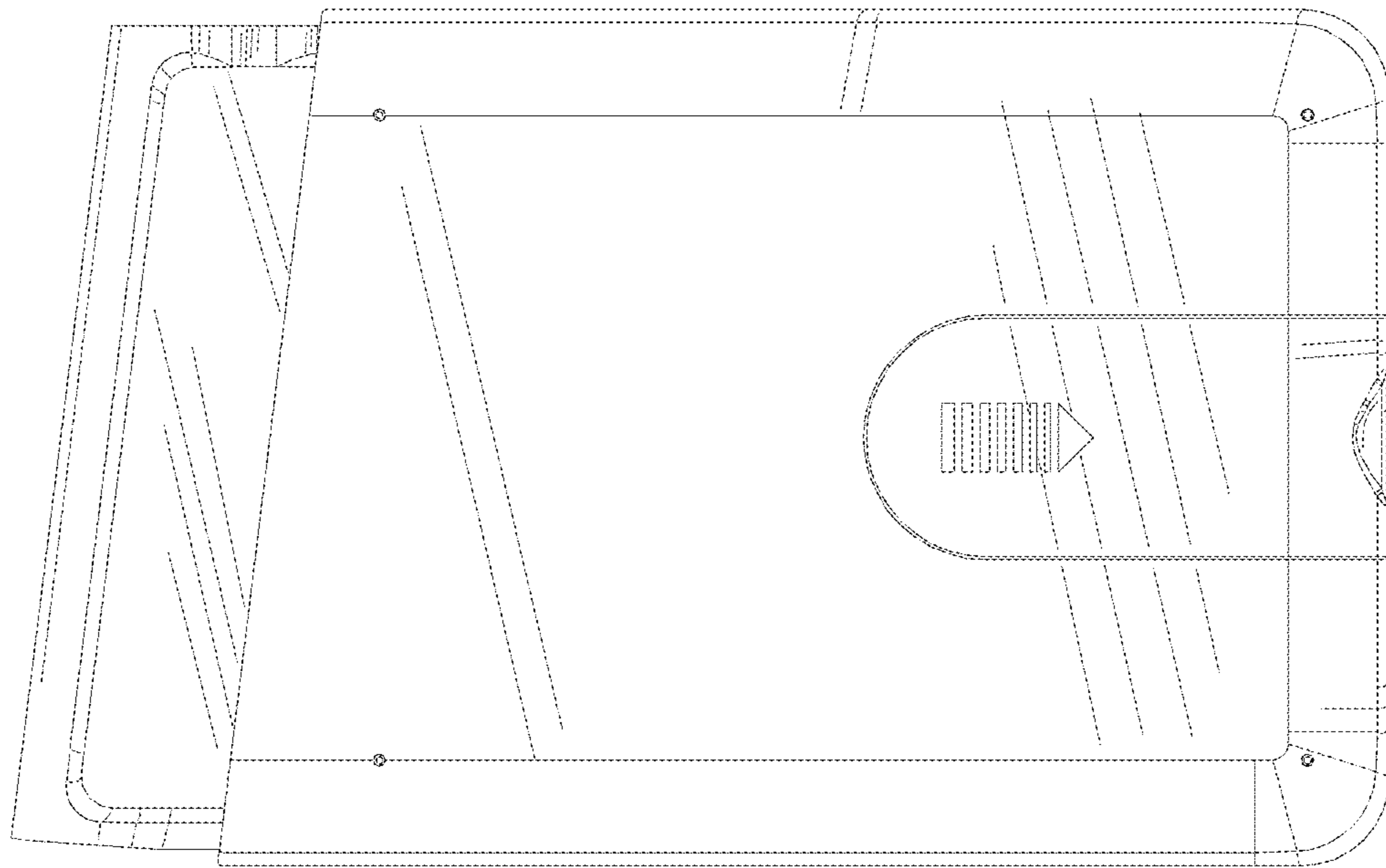


Fig.3

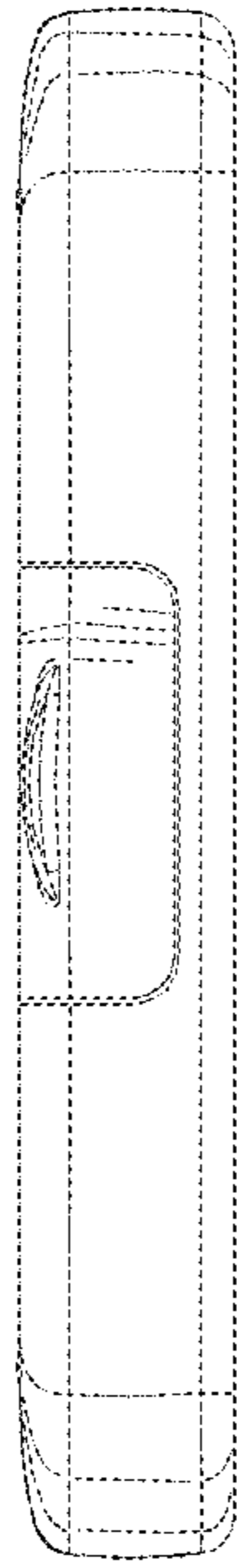


Fig.4

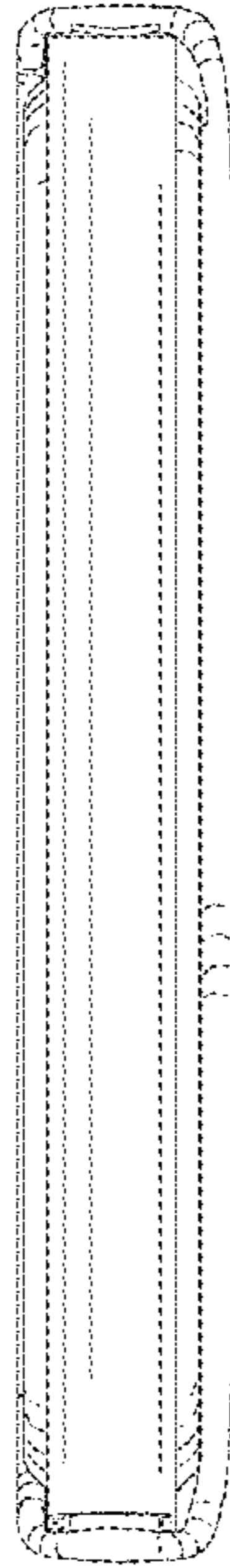


Fig.5

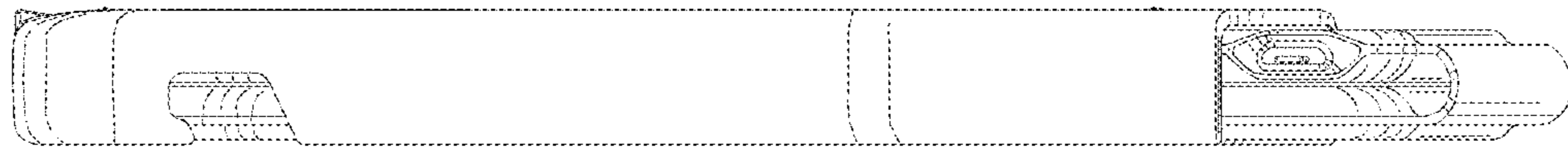


Fig.6

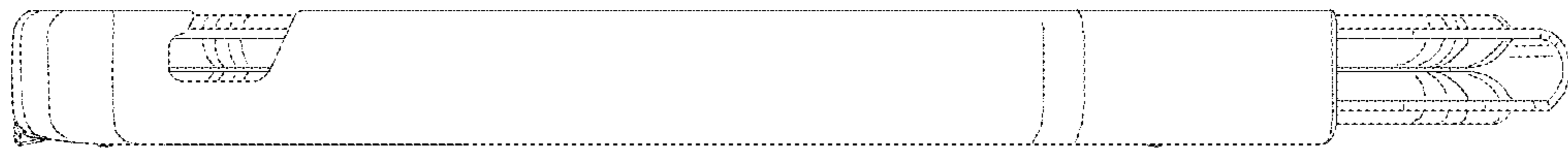


Fig.7



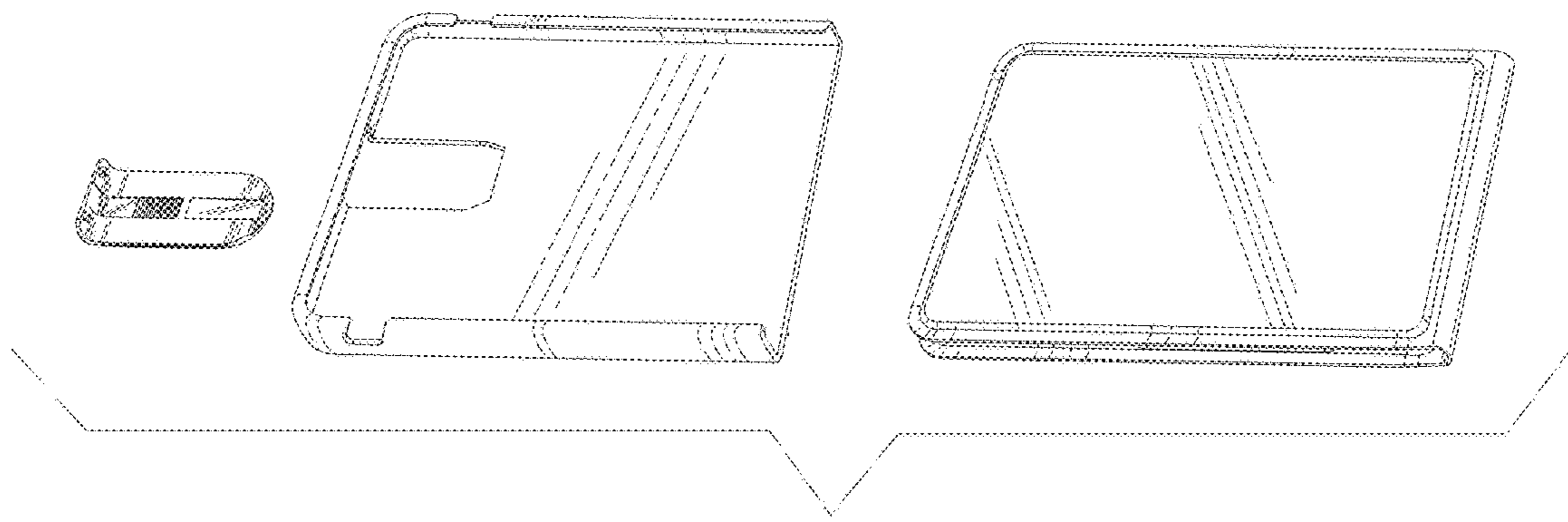


Fig.8

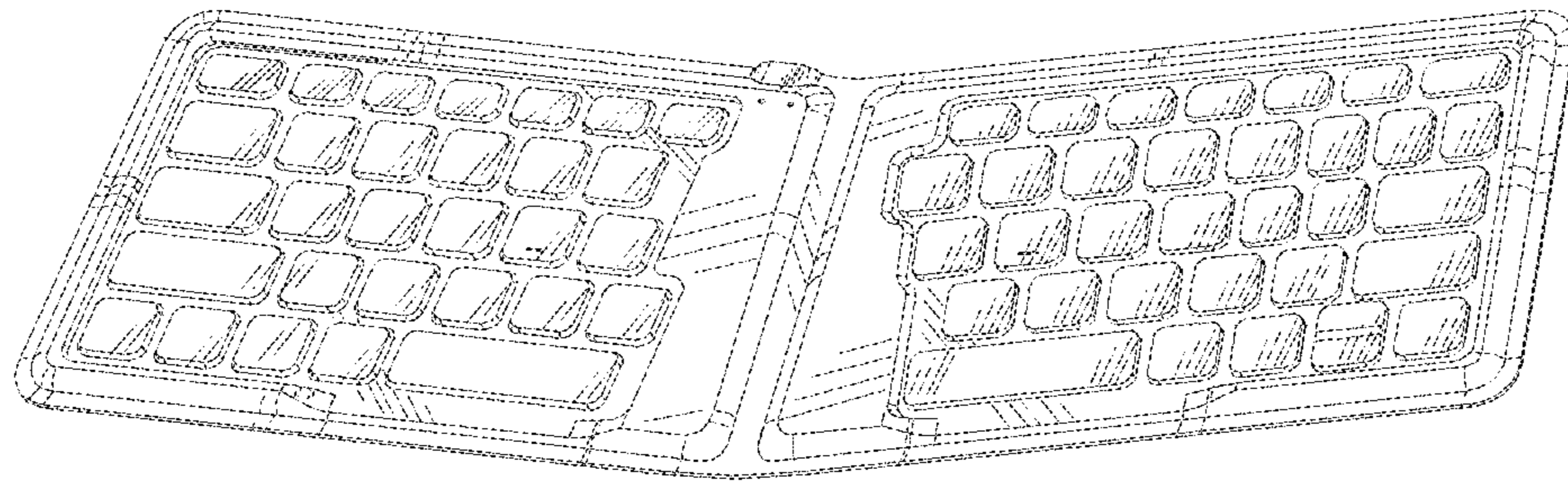


Fig.9

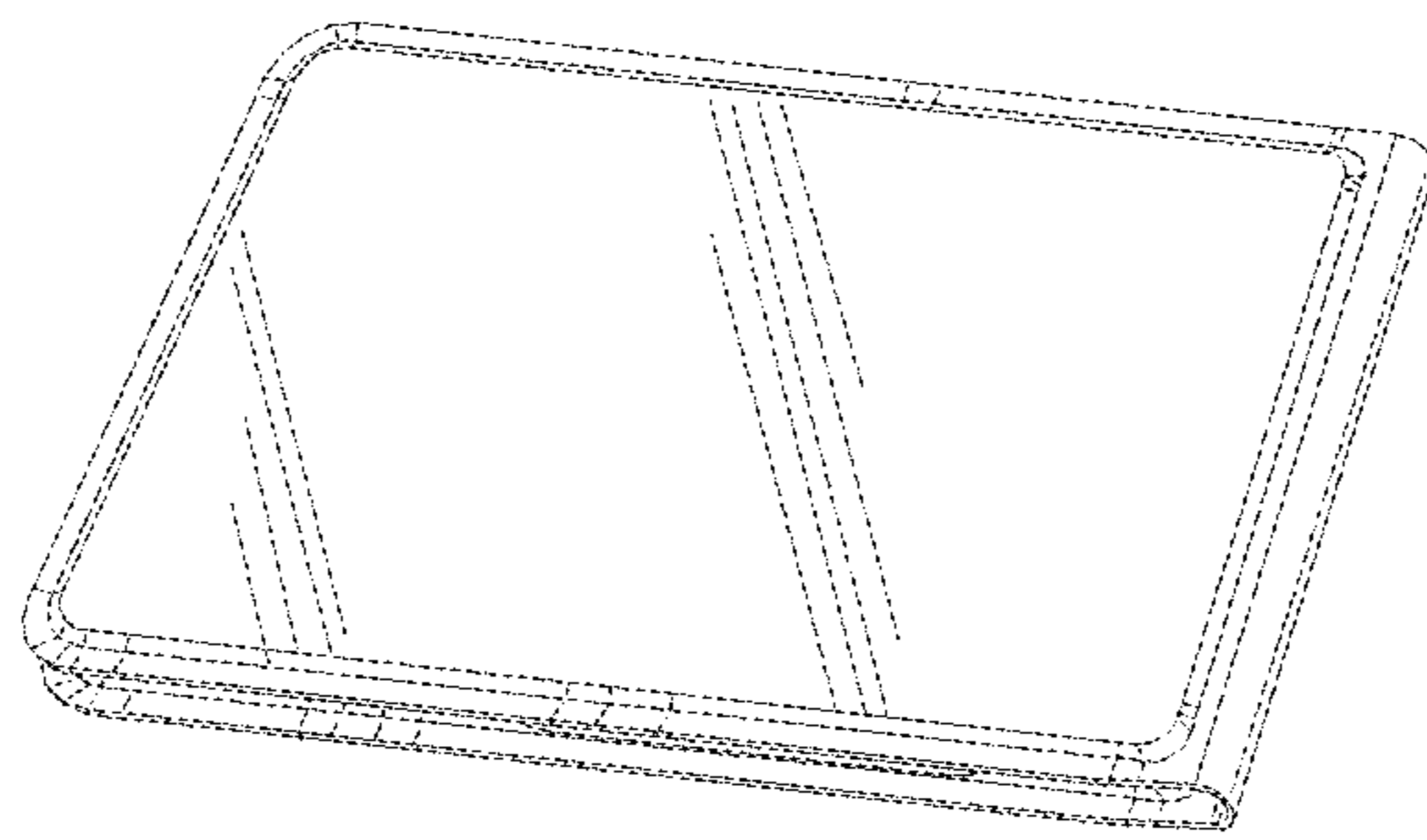


Fig. 10

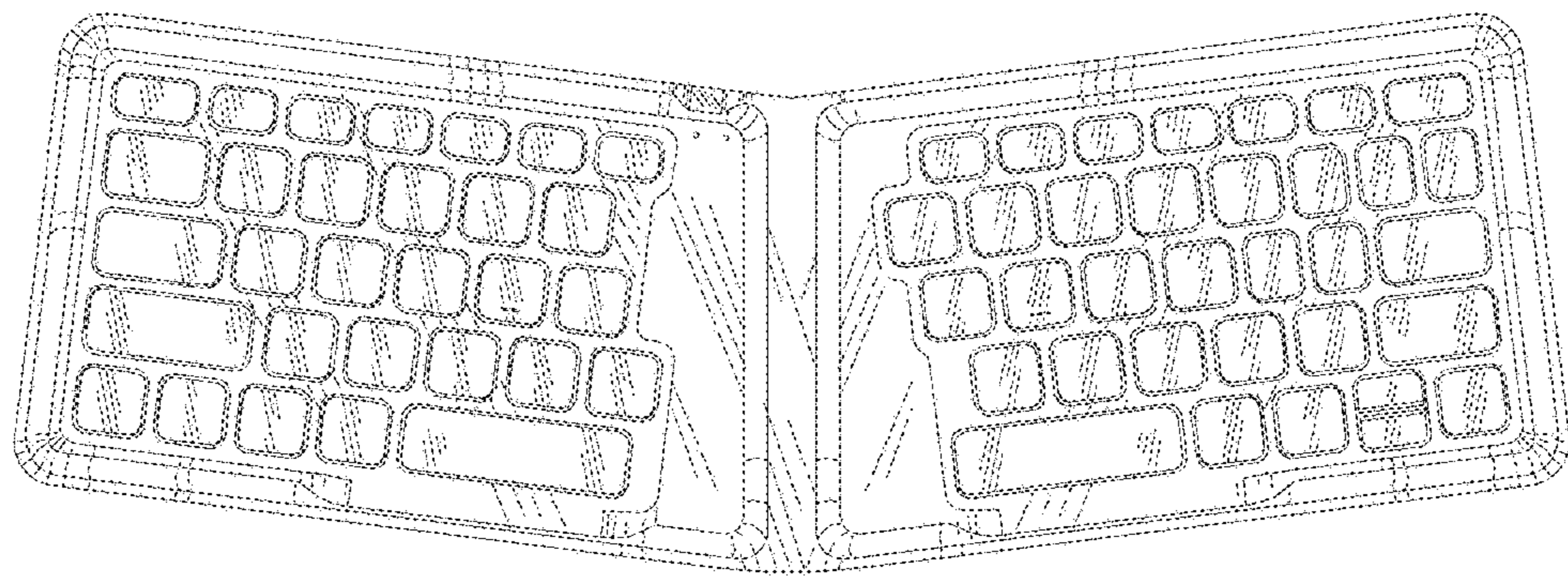


Fig. 11

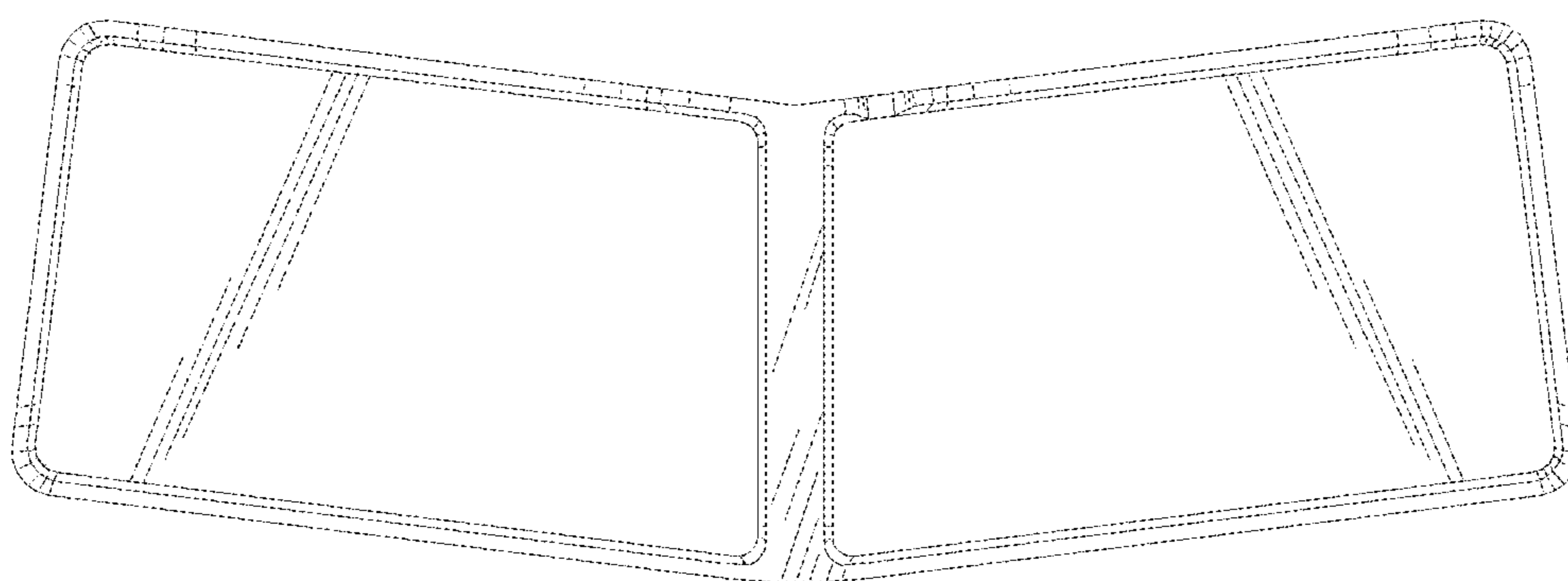


Fig.12

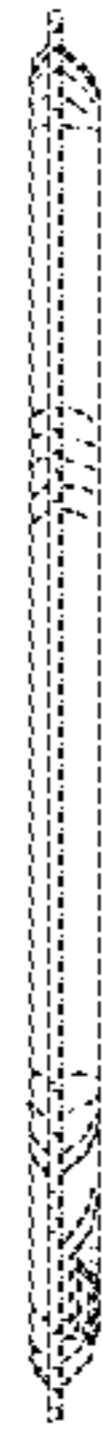


Fig. 13

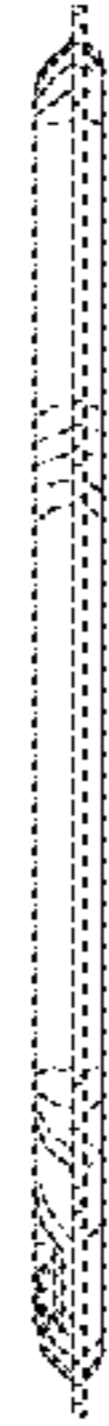


Fig.14

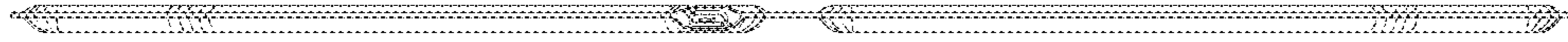


Fig. 15



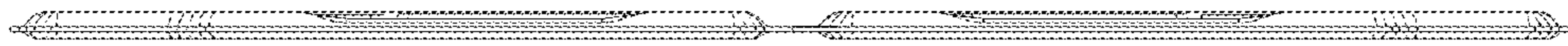


Fig. 16