



US00D795870S

(12) **United States Design Patent** (10) **Patent No.:** **US D795,870 S**  
**Jentz et al.** (45) **Date of Patent:** **\*\* Aug. 29, 2017**

(54) **AUGMENTED REALITY INPUT DEVICE**  
(71) Applicant: **Microsoft Corporation**, Redmond, WA (US)  
(72) Inventors: **Lorenz Henric Jentz**, Seattle, WA (US); **Nicolas Denhez**, Seattle, WA (US); **Young duk Song**, Kirkland, WA (US); **YeongKyu Yoo**, Bellevue, WA (US)  
(73) Assignee: **Microsoft Corporation**, Redmond, WA (US)

(\*\*) Term: **15 Years**

(21) Appl. No.: **29/566,659**

(22) Filed: **Jun. 1, 2016**

(51) **LOC (10) Cl.** ..... **14-02**

(52) **U.S. Cl.**  
USPC ..... **D14/388**; D26/37

(58) **Field of Classification Search**  
USPC ..... D14/356-358, 388, 389, 400, 402, 405, D14/408, 411, 431, 432, 454, 460, 496, D14/217, 218, 299; D21/324-333, 517, D21/512; D13/123, 162, 162.1, 168, D13/171-174; D24/184-186; D19/115, D19/123, 128, 159, 164, 166, 170, 171, D19/173, 177, 181, 185, 64; D26/37, 38  
CPC . G06F 3/00; G06F 3/011; G06F 3/016; G06F 3/017; G06F 3/033; G06F 3/0354; G06F 3/03542; G06F 3/03543; G06F 3/03545; G06F 3/03547; G06F 3/037; G06F 3/038; G06F 3/0398; G06K 9/222

See application file for complete search history.

(56) **References Cited**

**U.S. PATENT DOCUMENTS**

3,737,655 A \* 6/1973 Blendinger ..... G06F 3/03542  
200/60  
D265,212 S \* 6/1982 Spiegel ..... D19/170

D299,471 S \* 1/1989 Carver ..... D19/177  
D304,381 S \* 10/1989 Campbell ..... D26/37  
D322,609 S \* 12/1991 Patton ..... D14/218  
5,420,607 A \* 5/1995 Miller ..... G06F 3/03542  
345/156  
5,793,361 A \* 8/1998 Kahn ..... G06F 3/03542  
345/1.3  
5,926,168 A \* 7/1999 Fan ..... G06F 3/0325  
345/158  
D424,567 S \* 5/2000 Hakoda ..... D14/218  
D462,356 S \* 9/2002 Ono ..... D14/411

(Continued)

**OTHER PUBLICATIONS**

Google Draw is augmented reality paintbrush for Google Glass. damngeeky.com..(Online) 4 pgs. Posted Apr. 23, 2014. [retrieved on Mar. 27, 2017] <http://www.damngeeky.com/2014/04/23/20616/google-draw-is-augmented-reality-paintbrush-for-google-glass.html>.\*

(Continued)

*Primary Examiner* — Susan Bennett Hattan

*Assistant Examiner* — Marie Fast Horse

(74) *Attorney, Agent, or Firm* — Banner & Witcoff, Ltd.

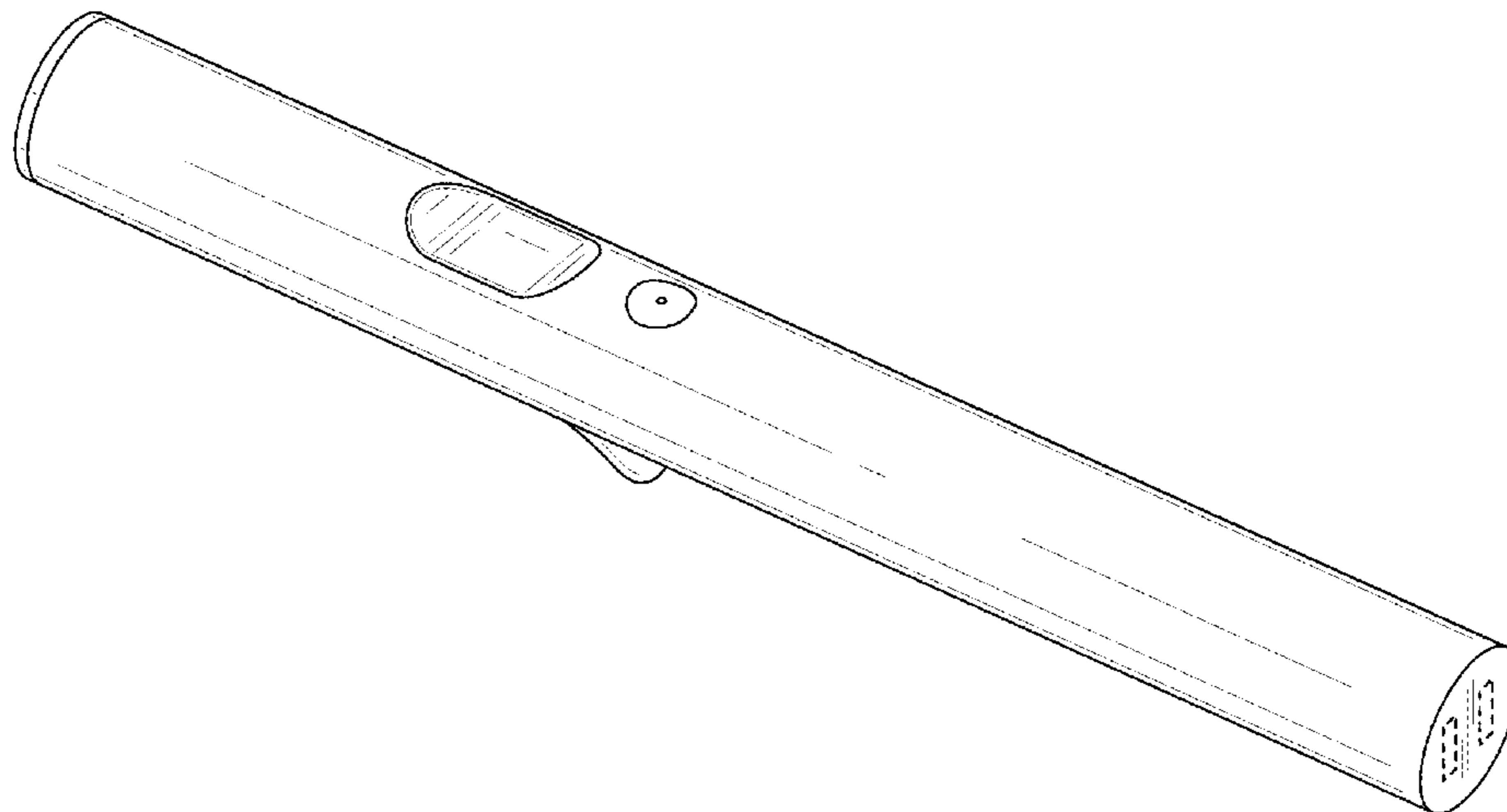
(57) **CLAIM**

The ornamental design for an augmented reality input device, as shown and described.

**DESCRIPTION**

FIG. 1 is a perspective view of an augmented reality input device showing our new design; FIG. 2 is a right side view thereof; FIG. 3 is a left side view thereof; FIG. 4 is a front view thereof; FIG. 5 is a rear view thereof; FIG. 6 is a top view thereof; and, FIG. 7 is a bottom view thereof. The broken lines seen in FIGS. 1 and 5 depict portions of the augmented reality input device that form.

**1 Claim, 4 Drawing Sheets**



(56)

References Cited

U.S. PATENT DOCUMENTS

D486,930 S \* 2/2004 Stoddard ..... D26/37  
 D497,214 S \* 10/2004 Lo ..... D26/37  
 D535,418 S \* 1/2007 Martin ..... D26/37  
 D570,792 S \* 6/2008 Leung ..... D13/168  
 D576,324 S \* 9/2008 Wolff ..... D26/39  
 D595,718 S \* 7/2009 Richter ..... D14/411  
 D614,623 S \* 4/2010 Crisp ..... D14/411  
 D617,796 S \* 6/2010 Ando ..... D14/411  
 D619,580 S \* 7/2010 Nakayama ..... D14/411  
 D656,989 S \* 4/2012 Briggel ..... D14/480.3  
 D662,097 S \* 6/2012 Lin ..... D14/411  
 D670,700 S \* 11/2012 Halsinger ..... D14/411  
 D676,049 S \* 2/2013 Lee ..... D14/411  
 D676,170 S \* 2/2013 Feng ..... D26/38  
 D678,282 S \* 3/2013 Izen ..... D14/411  
 D681,038 S \* 4/2013 Tomohiro ..... D14/411  
 D688,666 S \* 8/2013 Kowari ..... D14/411  
 D702,864 S \* 4/2014 Lee ..... D26/38  
 D708,598 S \* 7/2014 Robinson ..... D14/218  
 D712,480 S \* 9/2014 Fleming ..... D19/173  
 D717,301 S 11/2014 Groene et al.  
 D717,798 S 11/2014 Groene et al.  
 D719,160 S \* 12/2014 Gough ..... D14/388  
 D724,086 S 3/2015 Schoenert et al.  
 D725,810 S \* 3/2015 Jeong ..... D26/38  
 D735,195 S \* 7/2015 Yakel ..... D14/388  
 D745,988 S \* 12/2015 Ahn ..... D26/38  
 D753,095 S \* 4/2016 Jou ..... D14/218

D765,179 S \* 8/2016 Simon ..... D19/177  
 D771,048 S \* 11/2016 Martindale ..... D14/411  
 D773,462 S \* 12/2016 Mitchell ..... D14/411  
 D779,460 S \* 2/2017 Turksu ..... D14/218  
 D781,293 S \* 3/2017 Mitchell ..... D14/411  
 2003/0025884 A1 \* 2/2003 Hamana ..... G02B 27/20  
 353/42  
 2005/0253804 A1 \* 11/2005 Tai ..... G06F 3/0354  
 345/156  
 2008/0100883 A1 \* 5/2008 Kim ..... G06F 3/0354  
 358/482  
 2008/0174571 A1 \* 7/2008 Chen ..... G06F 1/1616  
 345/179  
 2013/0102222 A1 \* 4/2013 Clark ..... G06F 3/03542  
 446/219  
 2014/0125579 A1 \* 5/2014 Yamamoto ..... G02B 27/017  
 345/156  
 2014/0184506 A1 \* 7/2014 Golikov ..... G06F 3/0304  
 345/158  
 2016/0189592 A1 \* 6/2016 Kato ..... G09G 3/2003  
 345/593  
 2017/0017309 A1 \* 1/2017 Okada ..... G06F 3/0386

OTHER PUBLICATIONS

U.S. Appl. No. 29/566,665—Copending U.S. Design Patent Application Papers—Filing Date: Jun. 1, 2016. Jentz et al.\*  
 U.S. Appl. No. 29/566,663—Copending U.S. Design Patent Application Papers—Filing Date: Jun. 1, 2016. Jentz et al.\*

\* cited by examiner

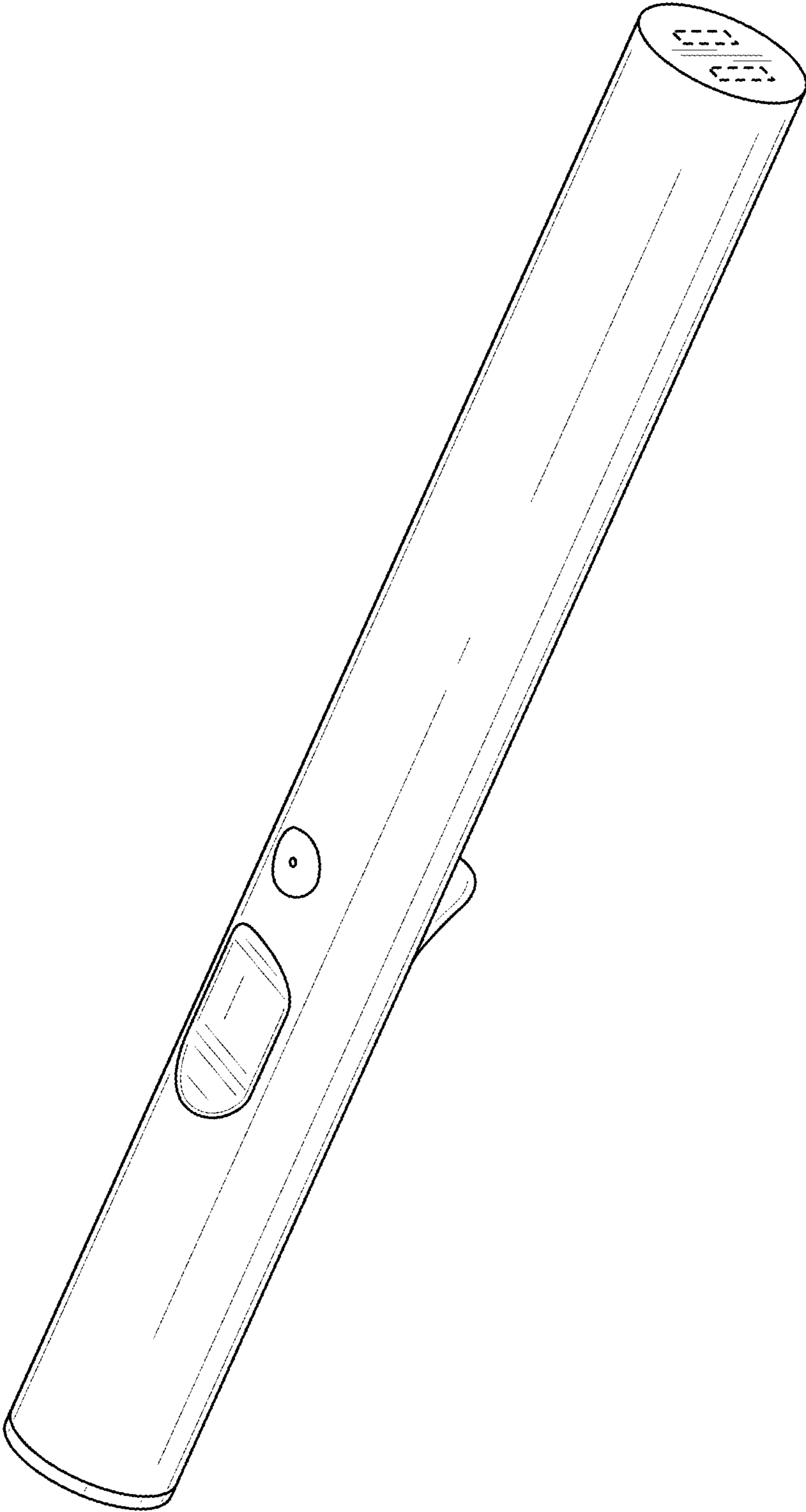


FIG. 1

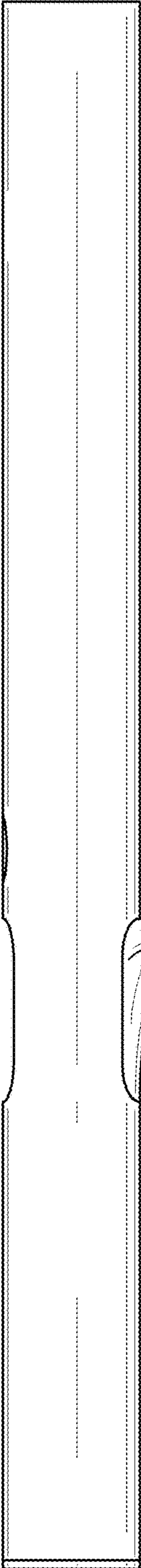


FIG. 2

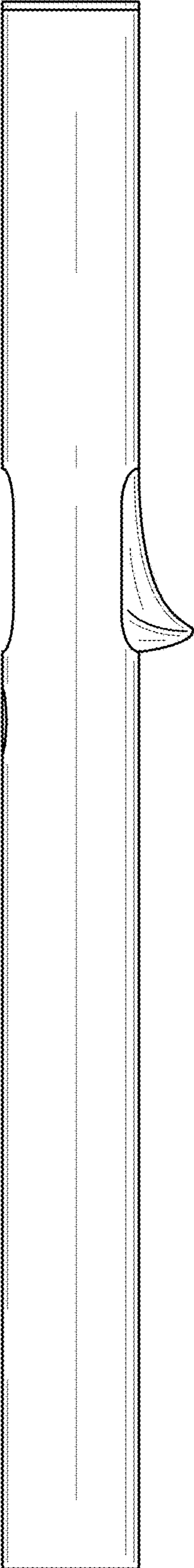


FIG. 3

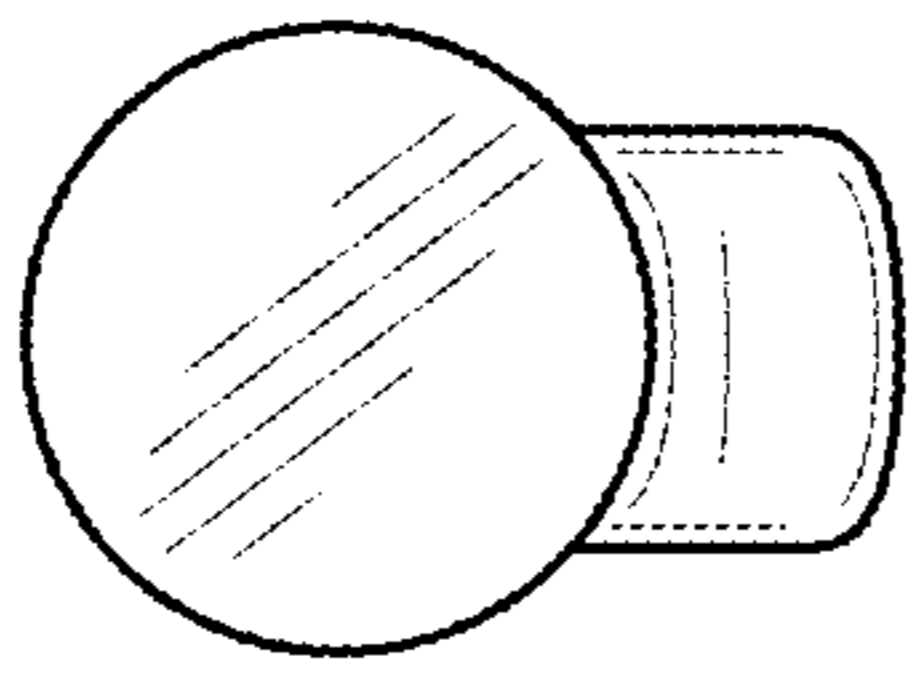


FIG. 4

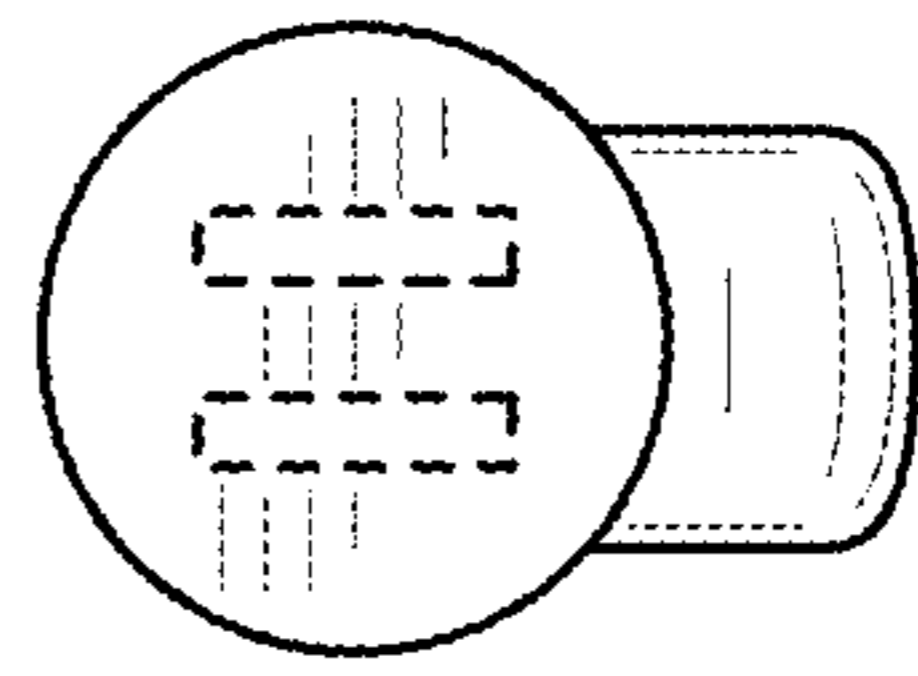


FIG. 5

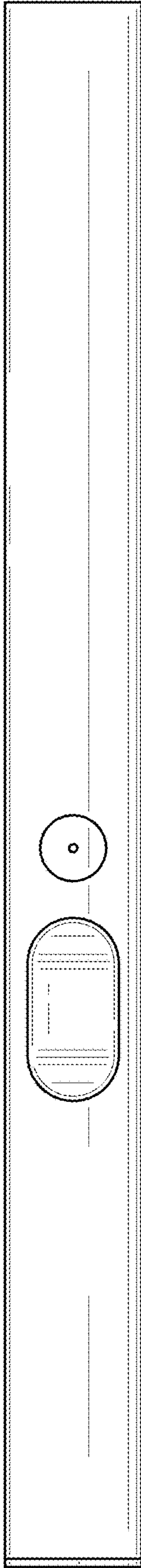


FIG. 6

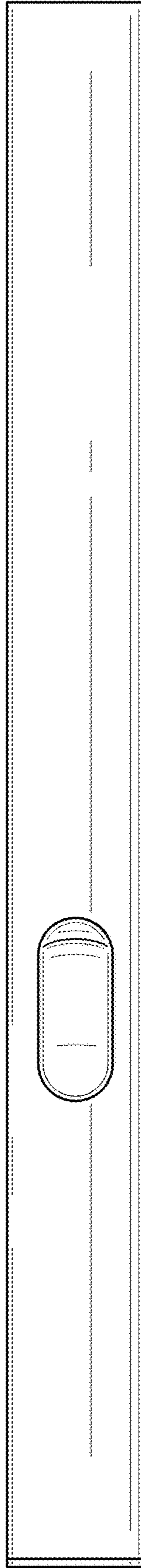


FIG. 7