



US00D795867S

(12) **United States Design Patent**  
**Huang**

(10) **Patent No.:** **US D795,867 S**

(45) **Date of Patent:** **\*\* Aug. 29, 2017**

(54) **VIRTUAL REALITY HEADSETS AND HELMETS**

(71) Applicant: **Hongping Huang**, Hunan (CN)

(72) Inventor: **Hongping Huang**, Hunan (CN)

(\*\*) Term: **15 Years**

(21) Appl. No.: **29/576,599**

(22) Filed: **Sep. 6, 2016**

(51) **LOC (10) Cl.** ..... **14-02**

(52) **U.S. Cl.**  
USPC ..... **D14/372**

(58) **Field of Classification Search**  
USPC ..... D14/372, 496, 432, 371, 125, 126, 129,  
D14/299; D16/300-342; 351/158, 153,  
351/144; 345/7-9, 905; 455/344;  
348/115, 53, 121, 739  
CPC ..... G02B 27/017; G02B 27/0158; G02B  
27/0161; G02B 27/0181; G02B 27/0185;  
G02B 27/0189

See application file for complete search history.

(56) **References Cited**

**U.S. PATENT DOCUMENTS**

D741,327 S \* 10/2015 Reznik ..... D14/372  
D749,580 S \* 2/2016 Kim ..... D14/372

D752,680 S \* 3/2016 Kim ..... D14/372  
D753,111 S \* 4/2016 Fei ..... D14/372  
D753,112 S \* 4/2016 Fei ..... D14/372  
D759,654 S \* 6/2016 Sullivan ..... D14/372  
D764,466 S \* 8/2016 Kim ..... D14/372  
D771,625 S \* 11/2016 Sullivan ..... D14/372  
D781,290 S \* 3/2017 Kim ..... D14/372  
D785,619 S \* 5/2017 Su ..... D14/372

\* cited by examiner

*Primary Examiner* — Austin Murphy

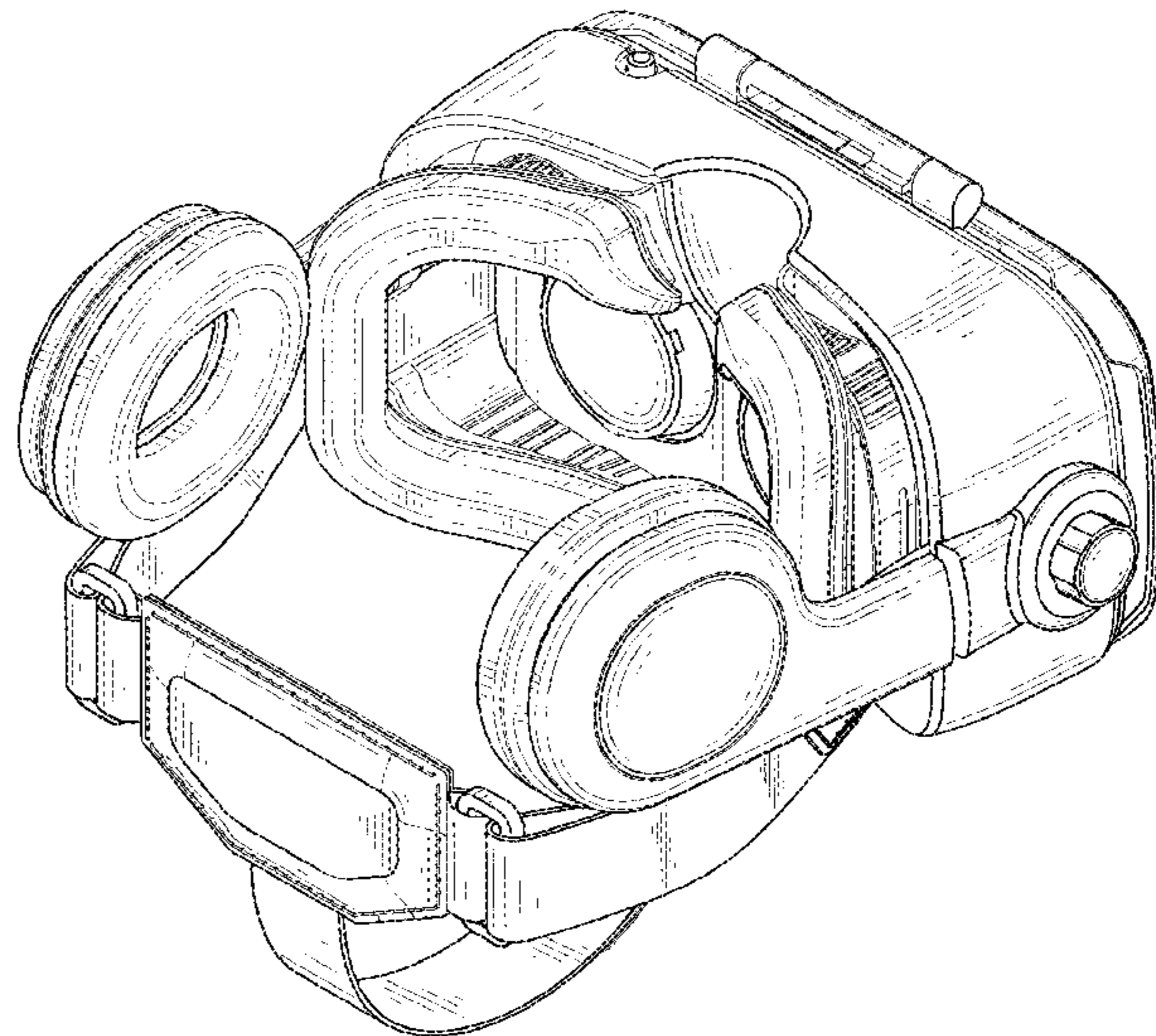
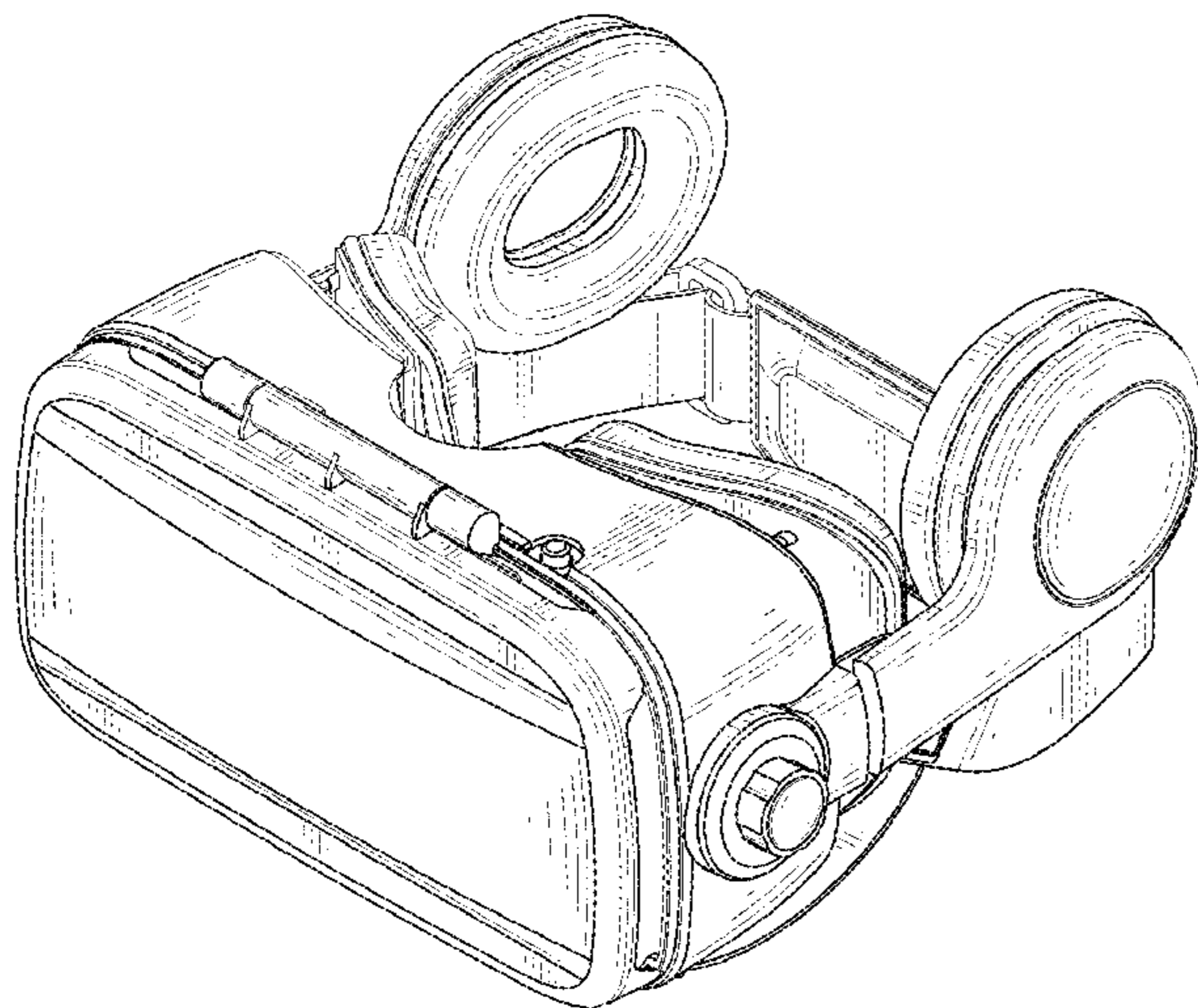
(57) **CLAIM**

The ornamental design for virtual reality headsets and helmets, as shown and described.

**DESCRIPTION**

FIG. 1 is a first perspective view of virtual reality headsets and helmets showing my new design;  
FIG. 2 is a second perspective view thereof;  
FIG. 3 is a front elevational view thereof;  
FIG. 4 is a rear elevational view thereof;  
FIG. 5 is a left side view thereof;  
FIG. 6 is a right side view thereof;  
FIG. 7 is a top plan view thereof; and,  
FIG. 8 is a bottom plan view thereof.

**1 Claim, 8 Drawing Sheets**



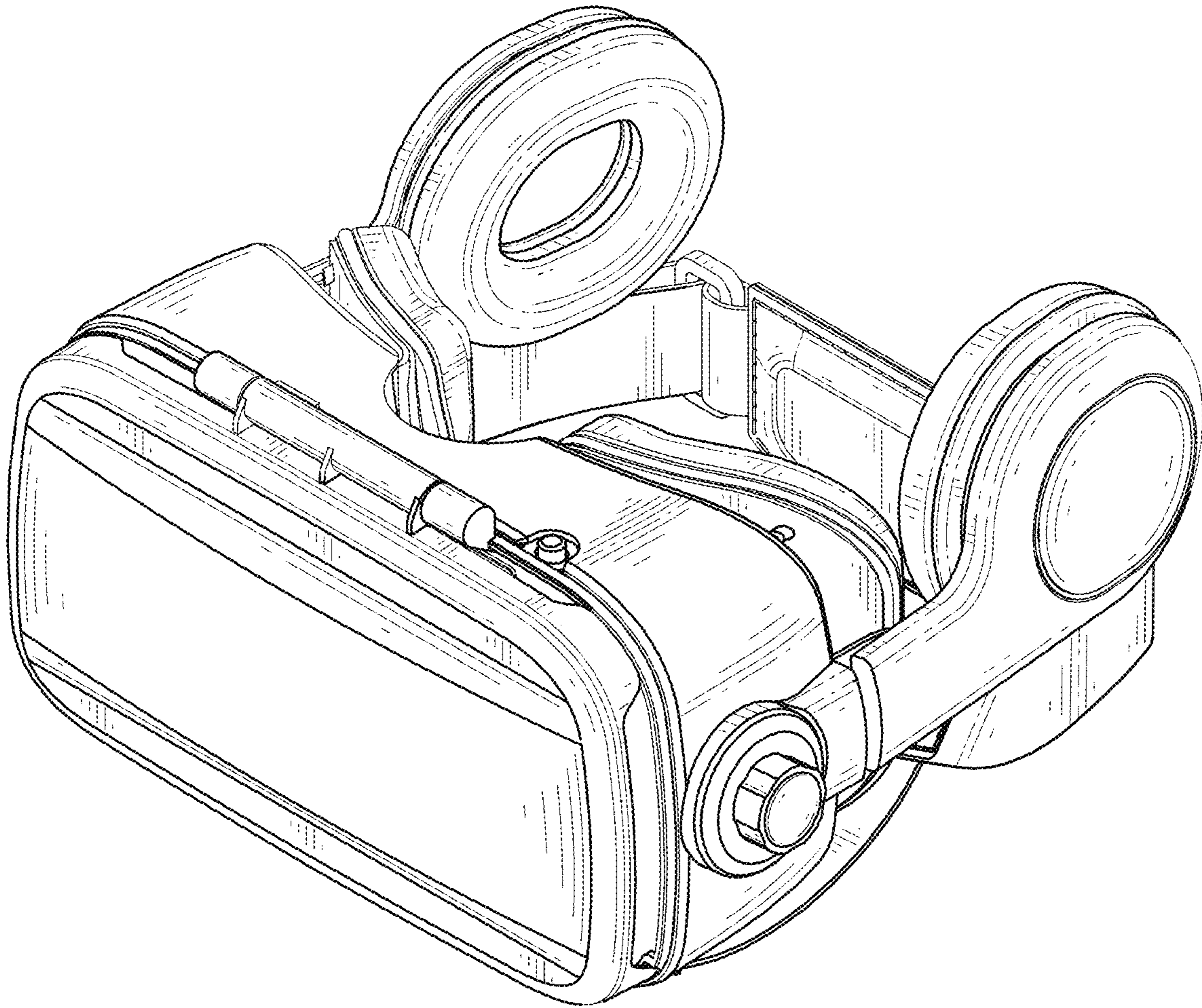


FIG. 1

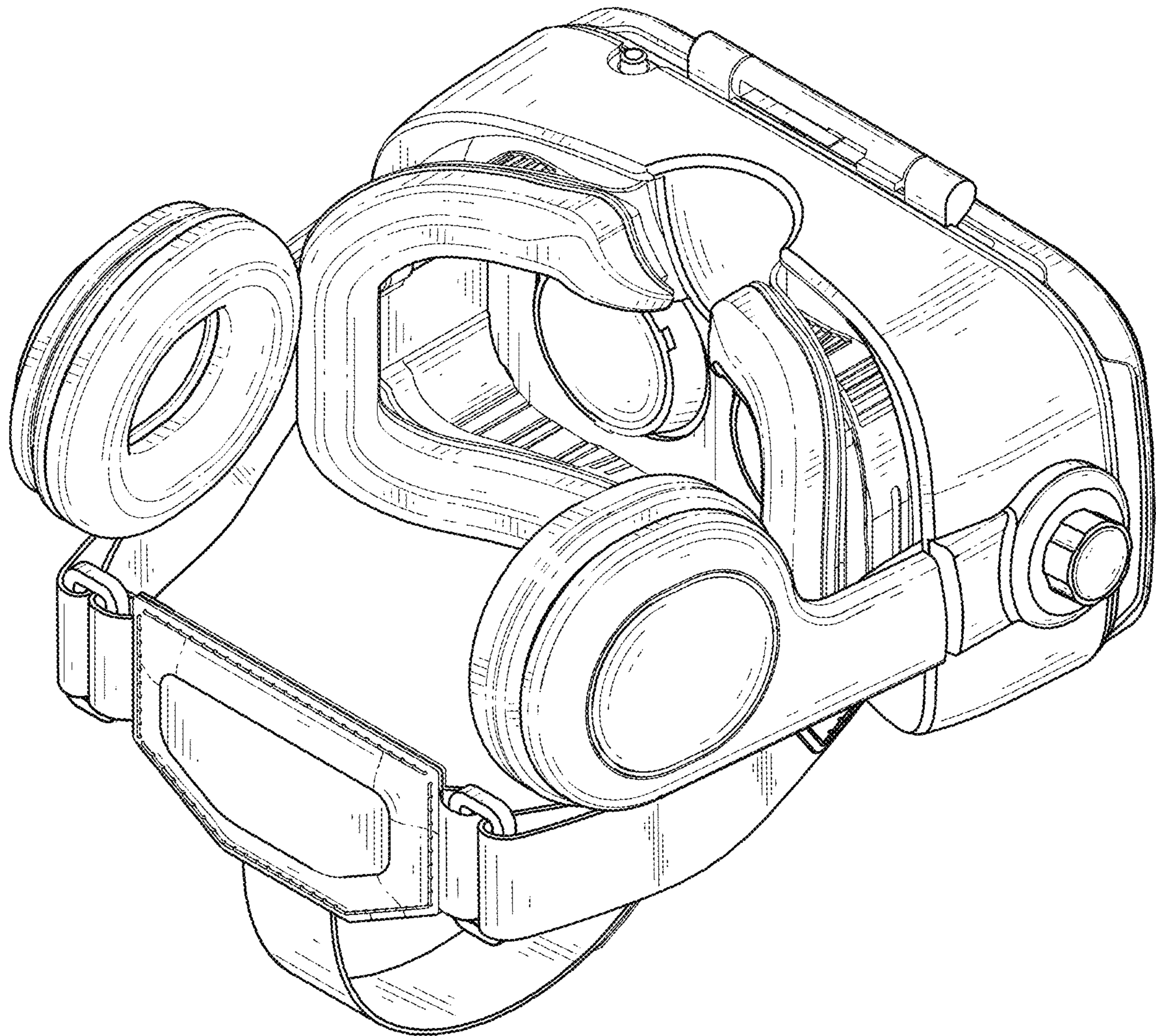


FIG. 2

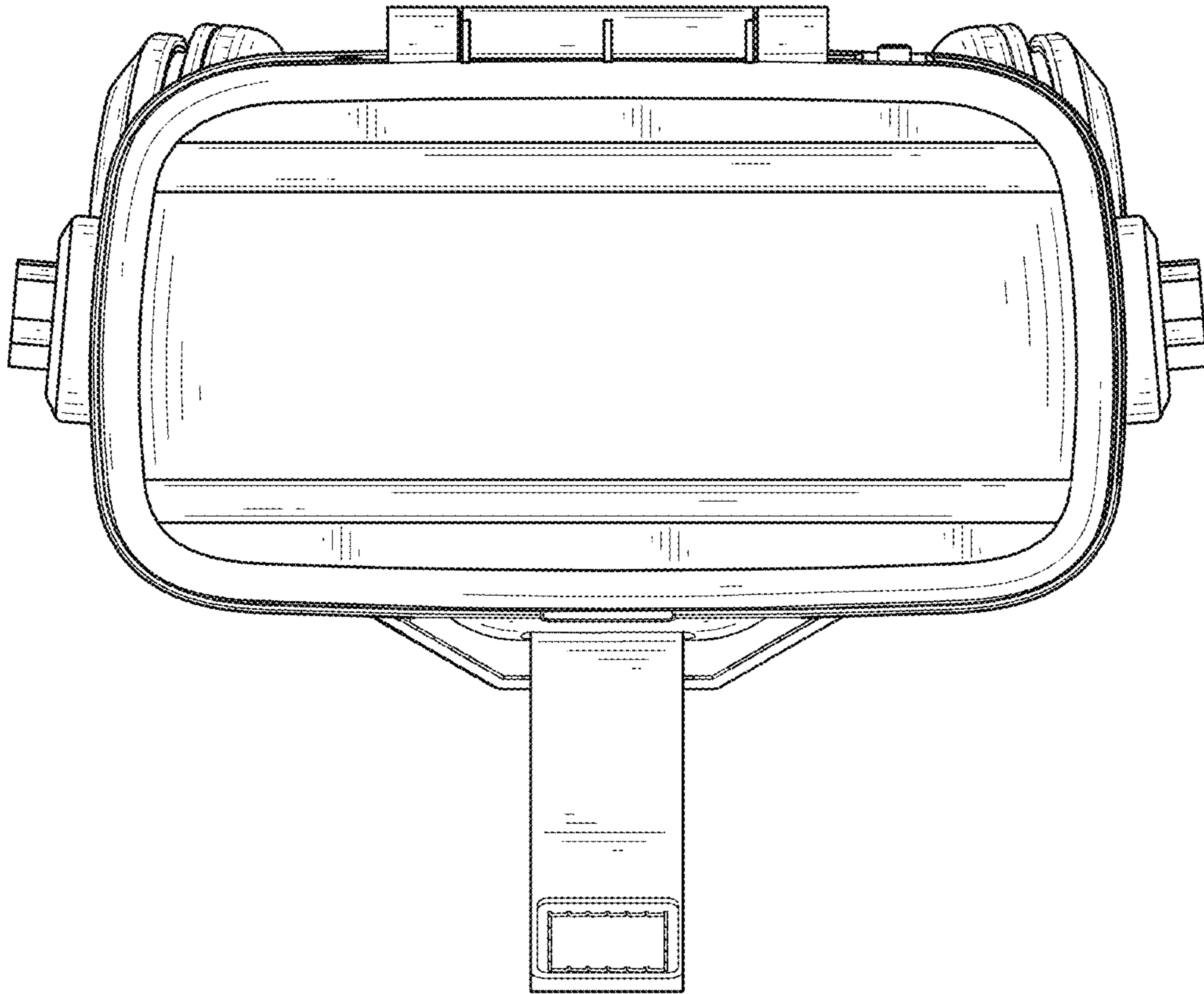


FIG. 3

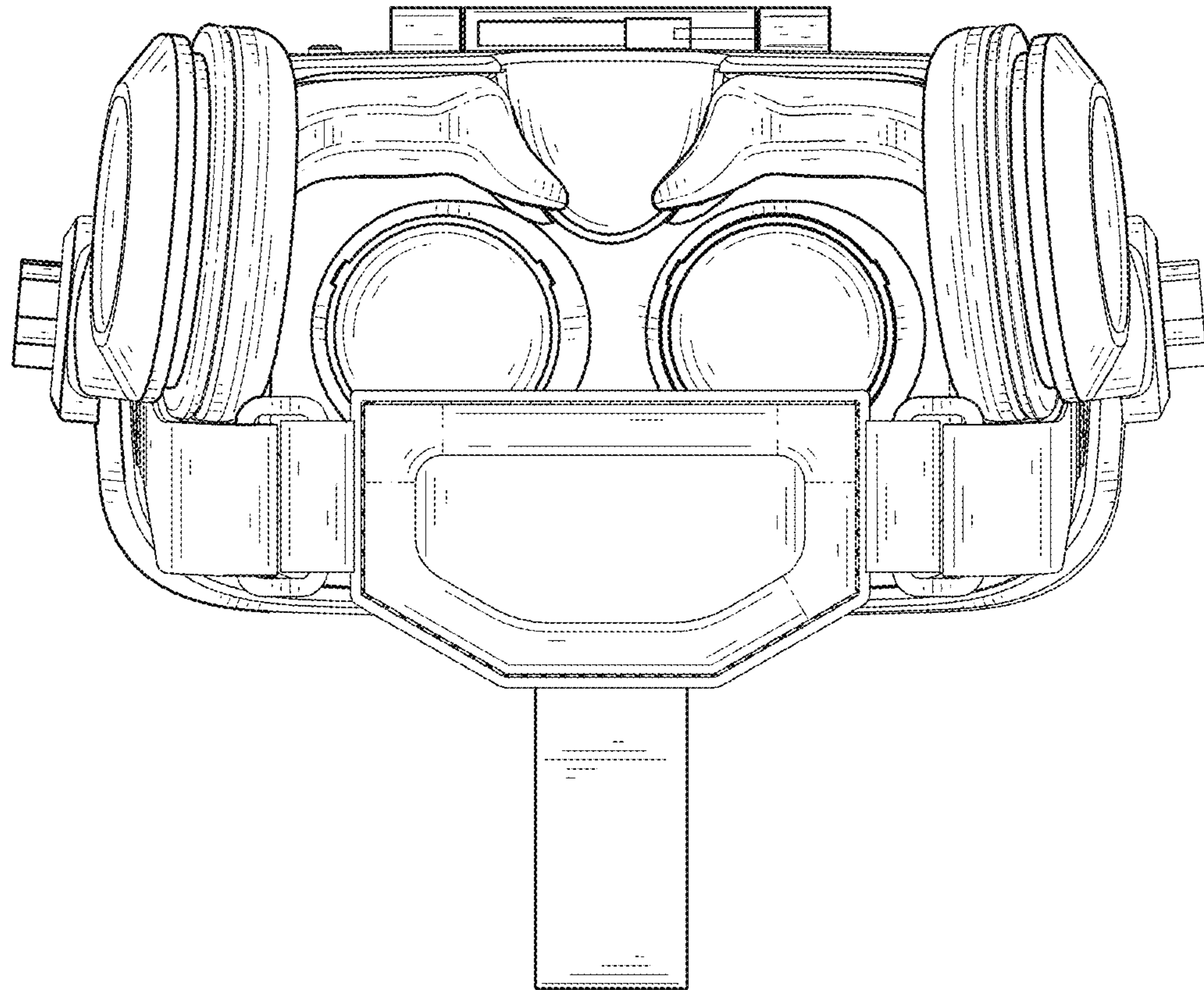


FIG. 4

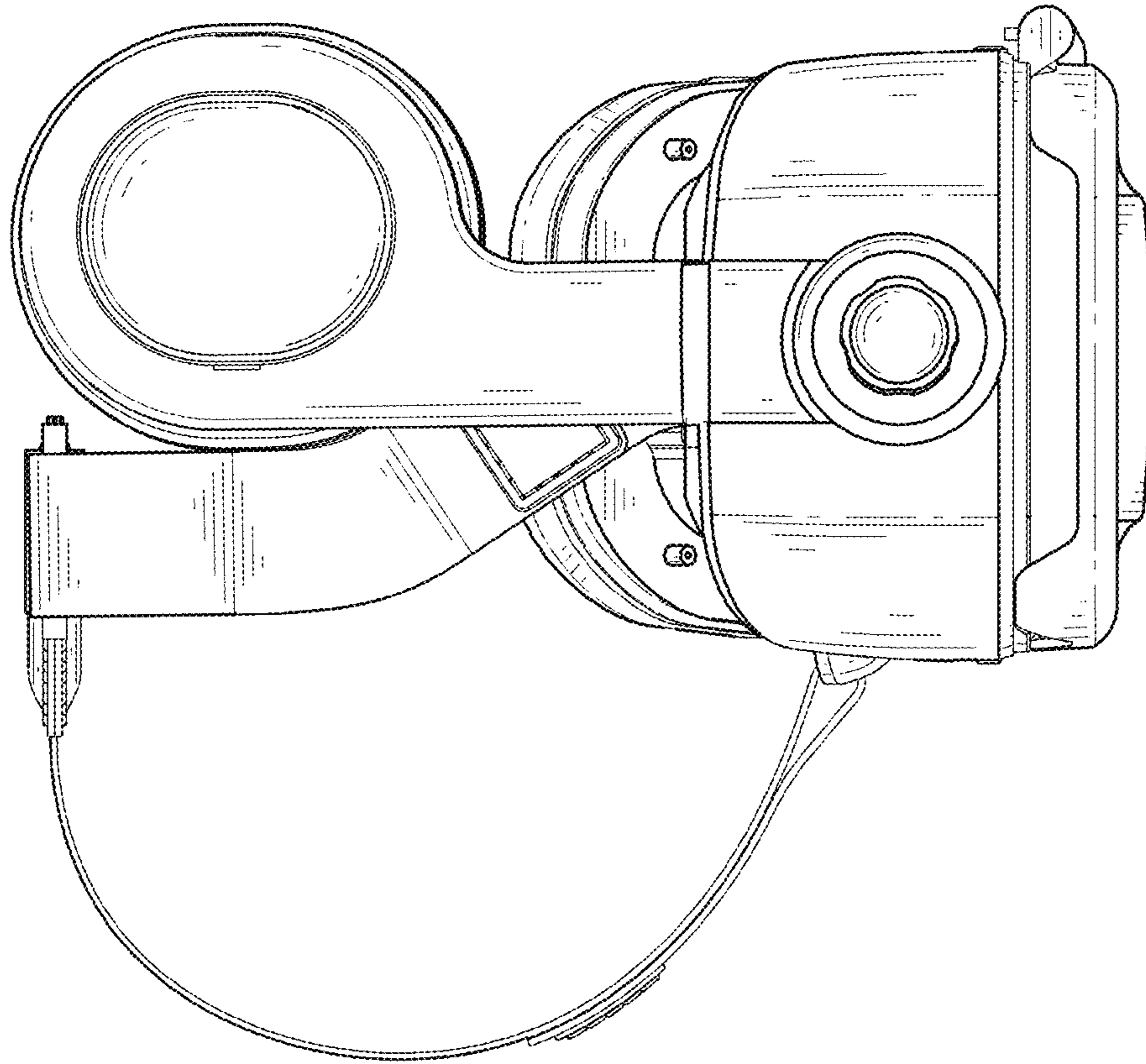


FIG. 5

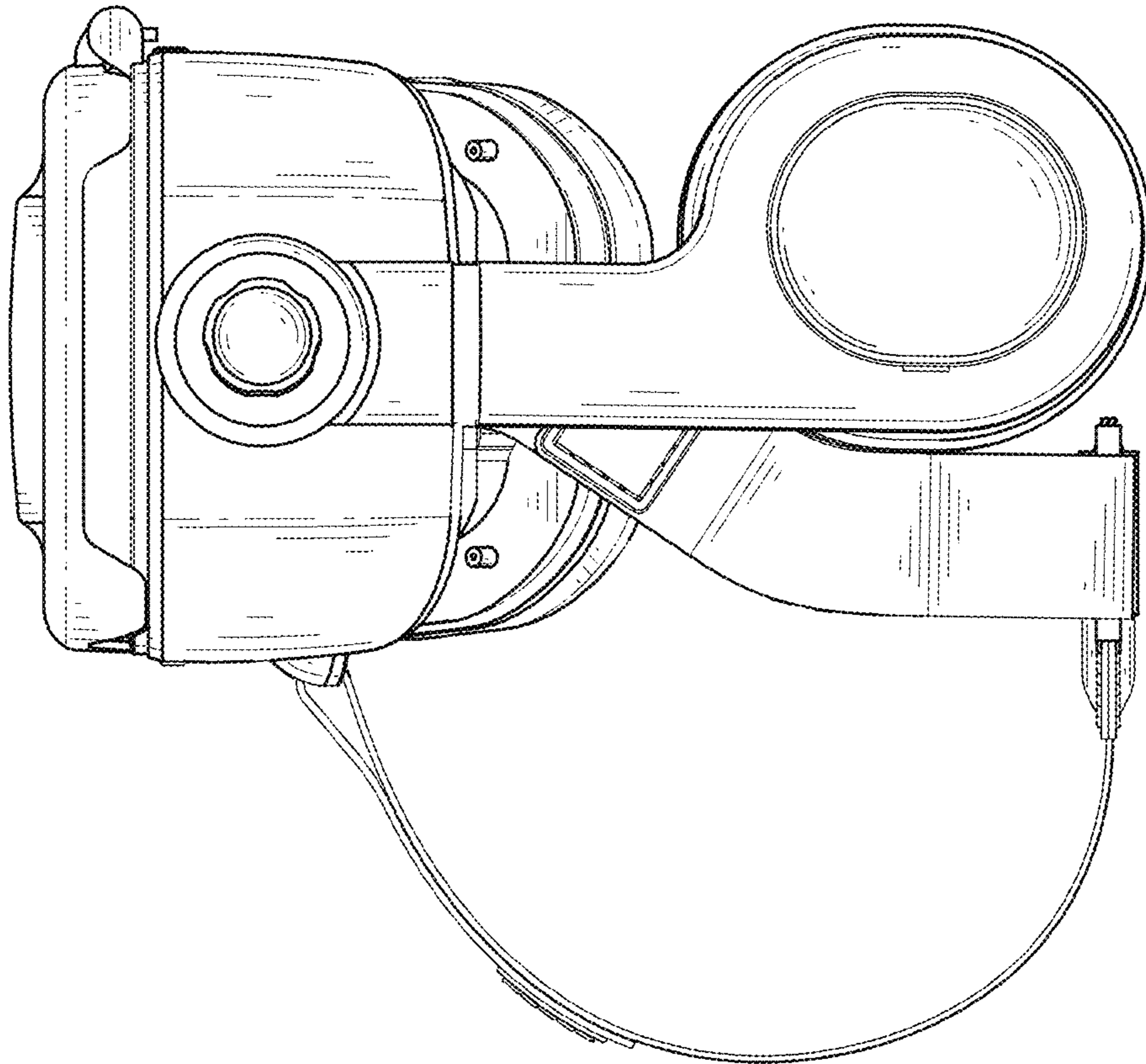


FIG. 6

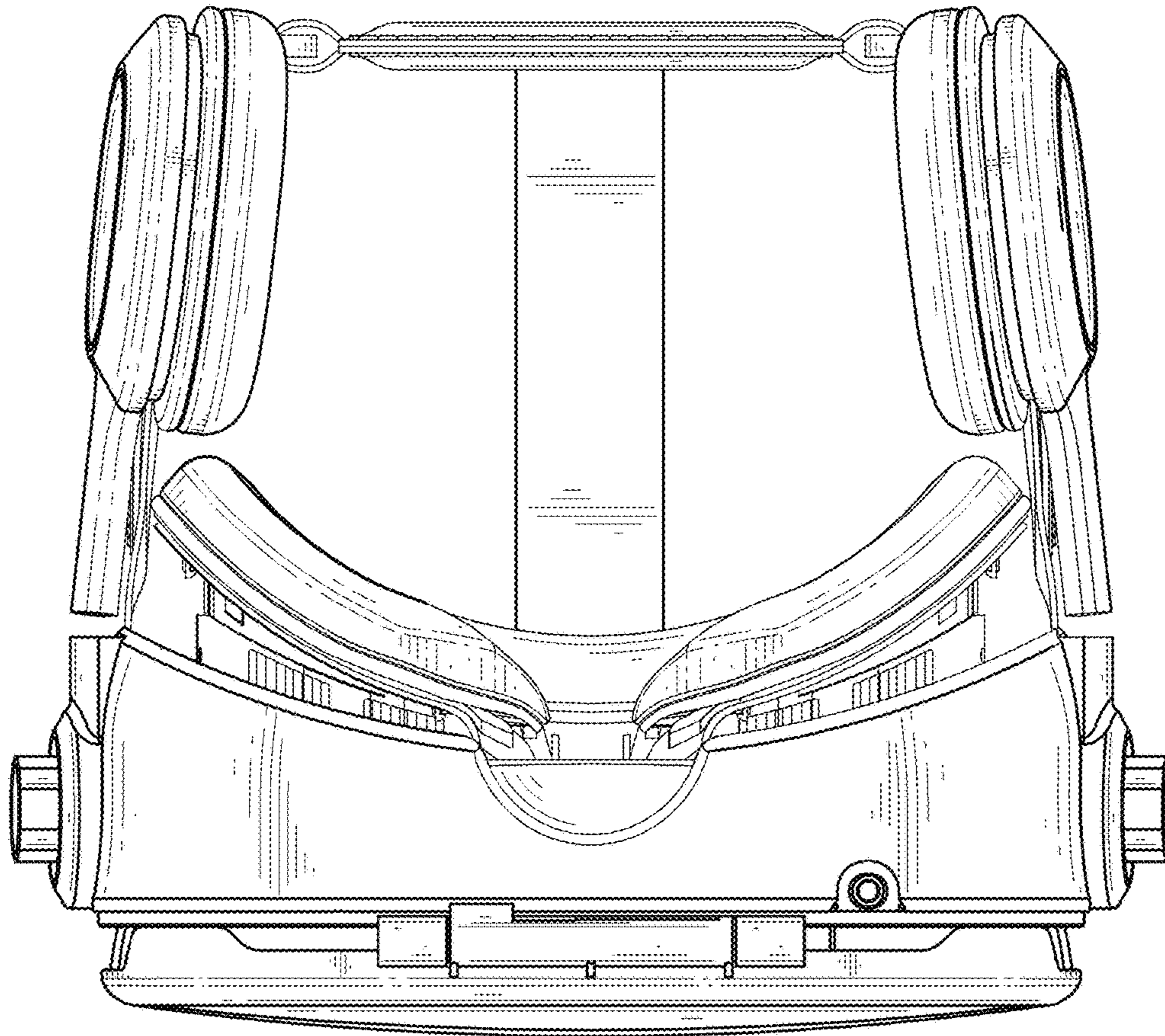


FIG. 7



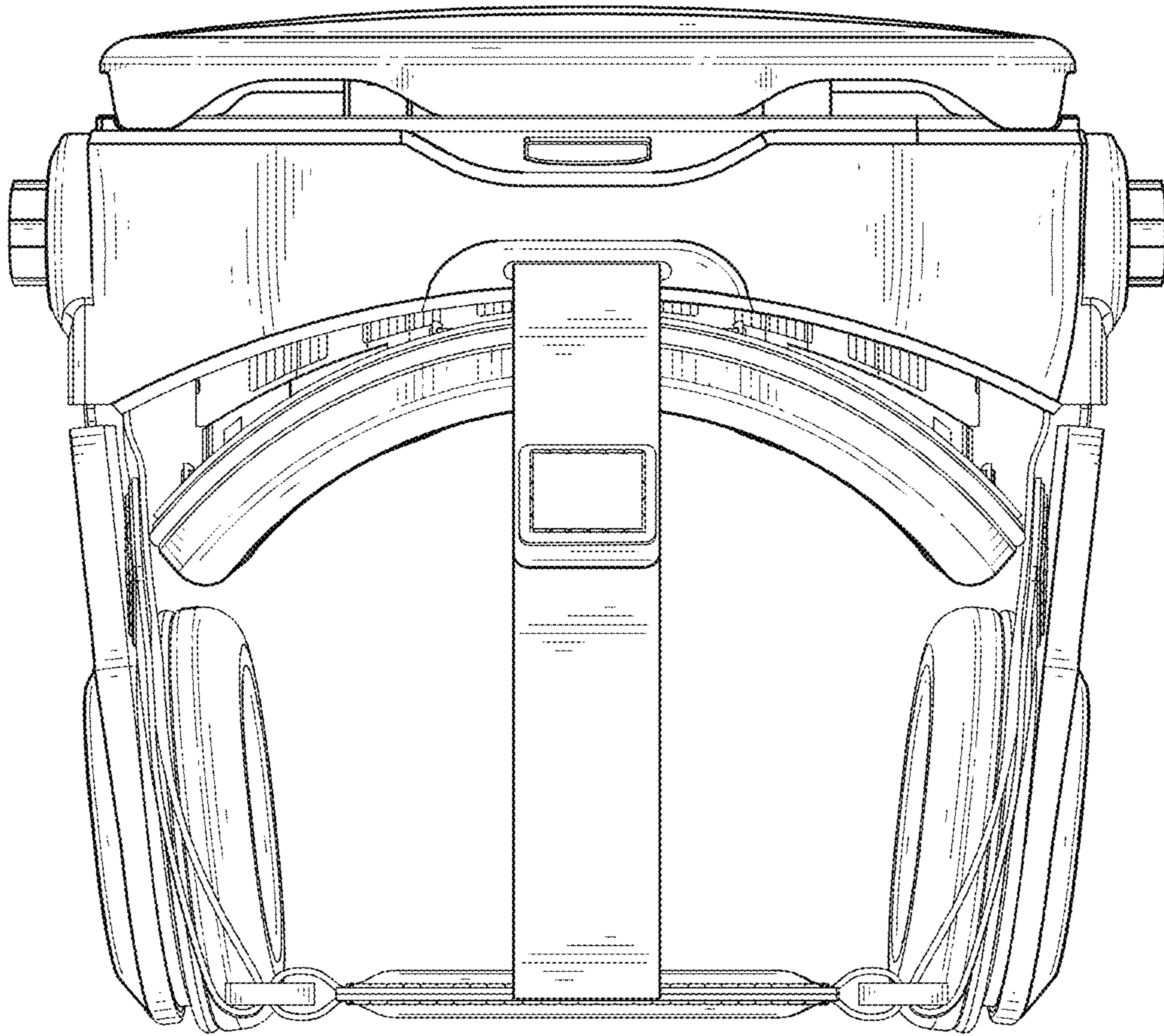


FIG. 8