



US00D795866S

(12) **United States Design Patent** (10) **Patent No.:** **US D795,866 S**
Porter et al. (45) **Date of Patent:** **** Aug. 29, 2017**

- (54) **MONOCULAR SMART GLASSES**
- (71) Applicant: **Vuzix Corporation**, West Henrietta, NY (US)
- (72) Inventors: **Tyler W. Porter**, Honeoye Falls, NY (US); **Russell D. Page**, Palmyra, NY (US)
- (73) Assignee: **Vuzix Corporation**, West Henrietta, NY (US)
- (**) Term: **15 Years**
- (21) Appl. No.: **29/550,726**
- (22) Filed: **Jan. 6, 2016**
- (51) **LOC (10) Cl.** **14-02**
- (52) **U.S. Cl.**
USPC **D14/372**
- (58) **Field of Classification Search**
USPC D14/372, 496, 432, 371, 125, 126, 129, D14/299; D16/300-342; 351/158, 153, 351/144; 345/7-9, 905; 455/344; 348/115, 53, 121, 739
CPC G02B 27/017; G02B 27/0158; G02B 27/0161; G02B 27/0181; G02B 27/0185; G02B 27/0189
See application file for complete search history.

- (56) **References Cited**
U.S. PATENT DOCUMENTS
D682,268 S * 5/2013 Ricks D14/372
D704,247 S * 5/2014 Olsson D16/300
D704,705 S * 5/2014 Mehin D14/372
D718,304 S * 11/2014 Heinrich D14/372
D718,306 S * 11/2014 Mehin D14/372

- D719,156 S * 12/2014 Lee D14/372
- D725,102 S * 3/2015 Lee D14/372
- D726,180 S 4/2015 Roat et al.
- D731,484 S * 6/2015 Olsson D14/372
- D733,137 S * 6/2015 Kawai D14/372
- D735,193 S * 7/2015 Lee D14/372
- D735,716 S * 8/2015 Lee D14/372
- D761,795 S * 7/2016 Heinrich D14/372
- D761,796 S * 7/2016 Heinrich D14/372
- D765,076 S * 8/2016 Rochat D14/372
- D769,873 S * 10/2016 Cazalet D14/372
- D778,908 S * 2/2017 Mase D14/372
- 2009/0201460 A1 * 8/2009 Blum G02C 5/143 351/158
- 2015/0340010 A1 11/2015 Travers et al.

* cited by examiner

Primary Examiner — Austin Murphy

(74) *Attorney, Agent, or Firm* — Thomas B. Ryan, Patent Agent; Harter Secrest & Emery LLP

(57) **CLAIM**

The ornamental design for a monocular smart glasses, as shown and described.

DESCRIPTION

FIG. 1 is a top, front, and left side perspective view of a monocular smart glasses showing our new design.

FIG. 2 is a top, back, and right side perspective view thereof.

FIG. 3 is a top plan view thereof.

FIG. 4 is a bottom plan view thereof.

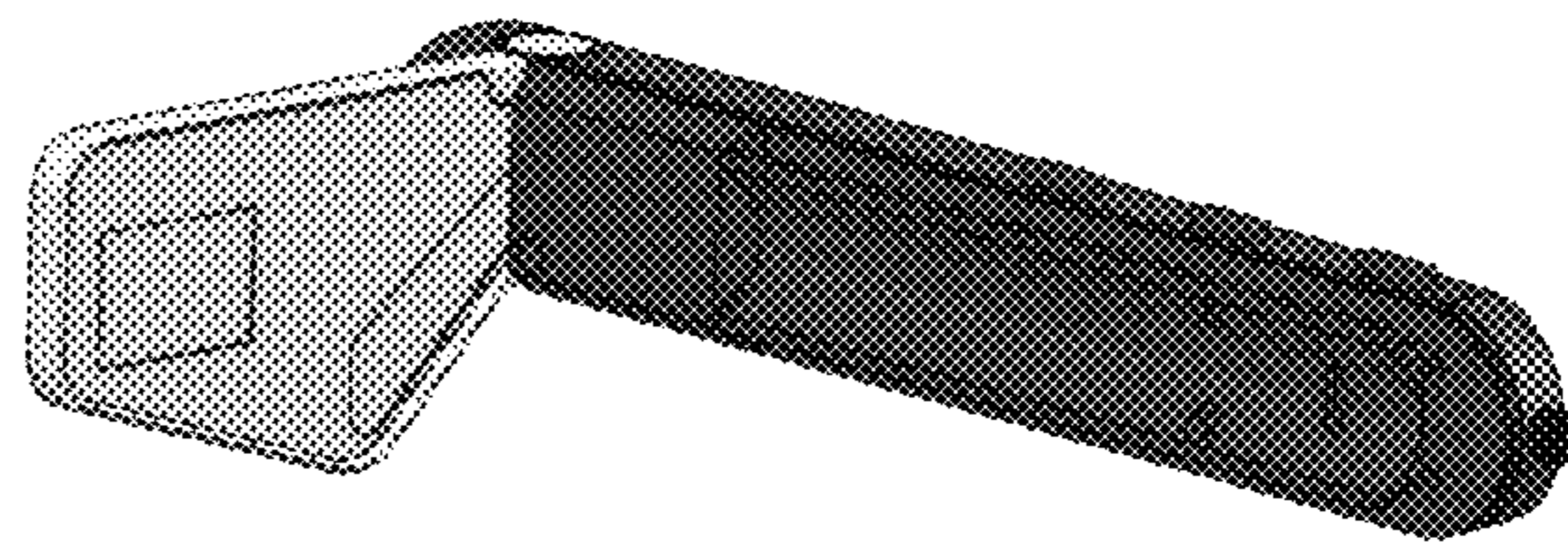
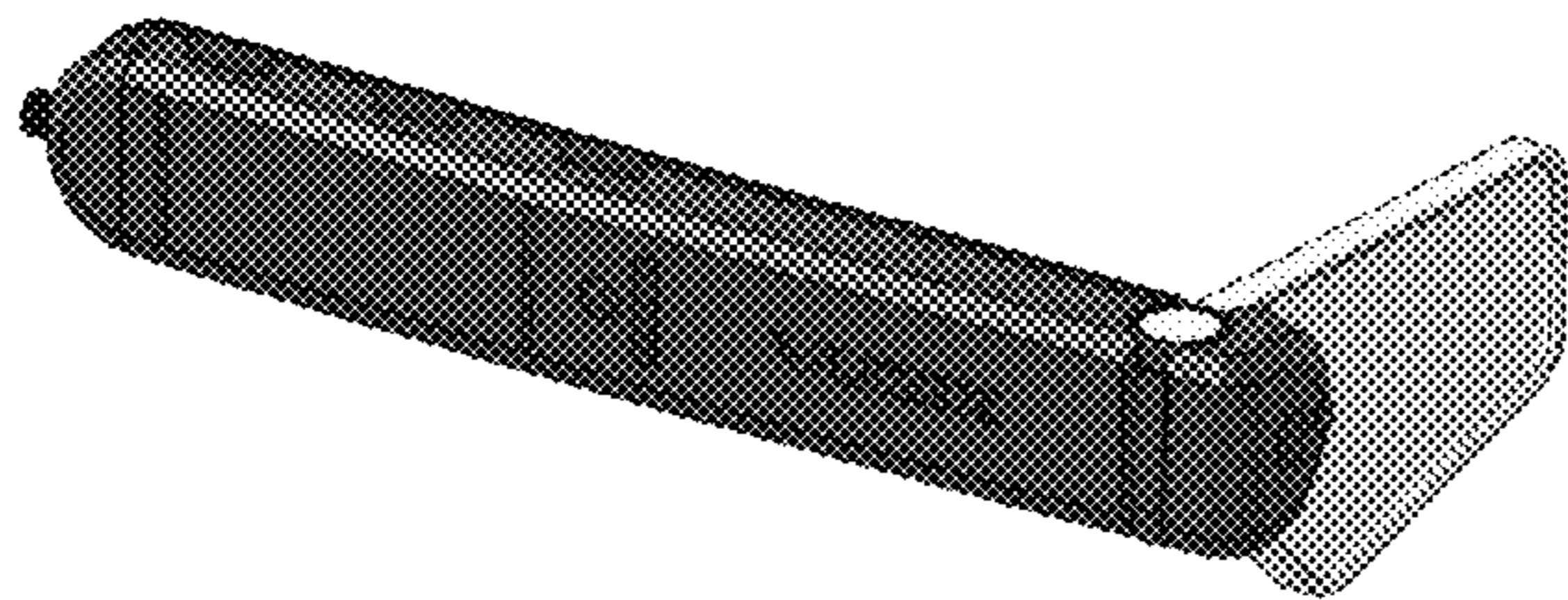
FIG. 5 is a front elevational view thereof.

FIG. 6 is a back elevational view thereof.

FIG. 7 is a left side elevational view thereof; and, FIG. 8 is a right side elevational view thereof.

The text appearing in FIGS. 1 and 7 forms no part of the claimed design.

1 Claim, 3 Drawing Sheets



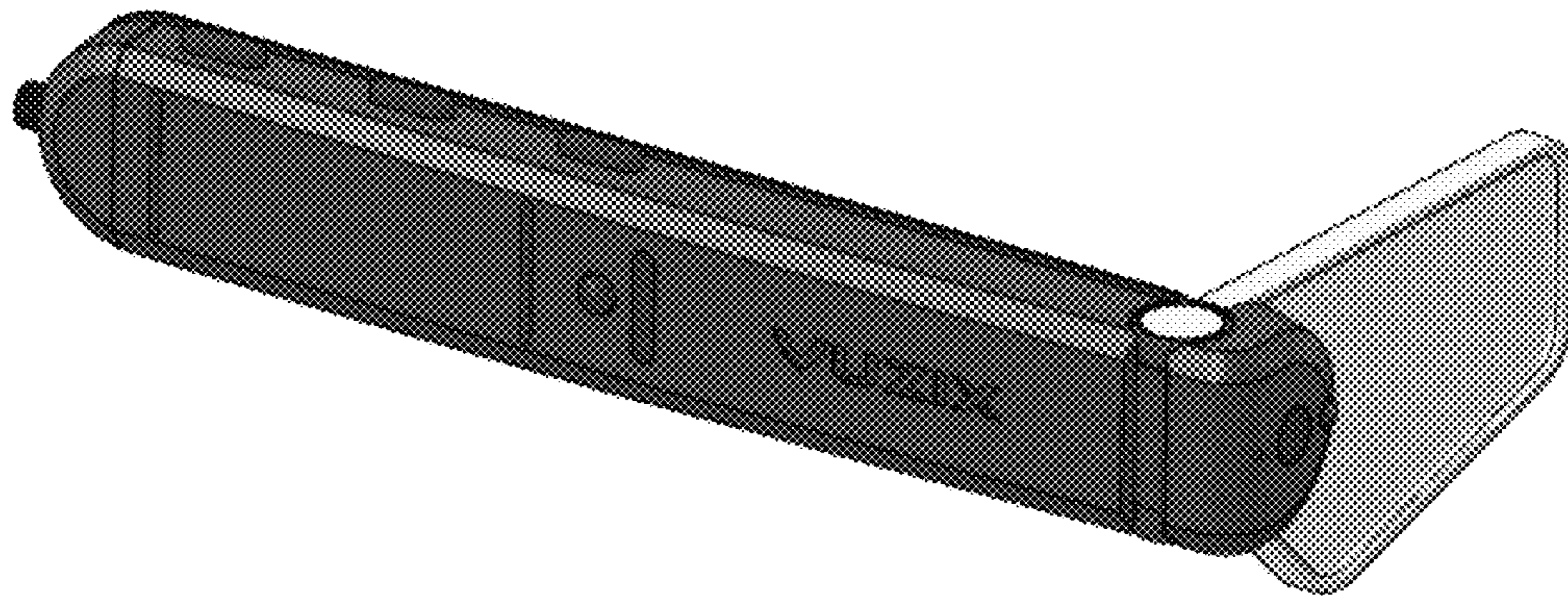


FIG. 1

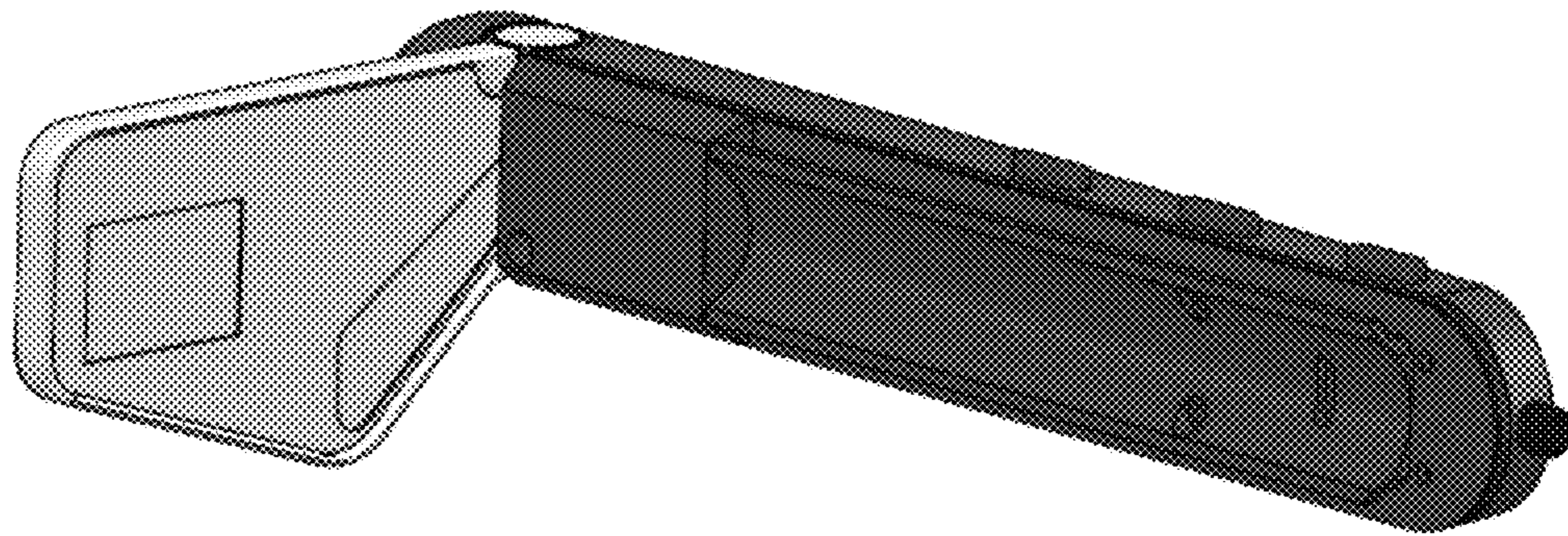


FIG. 2

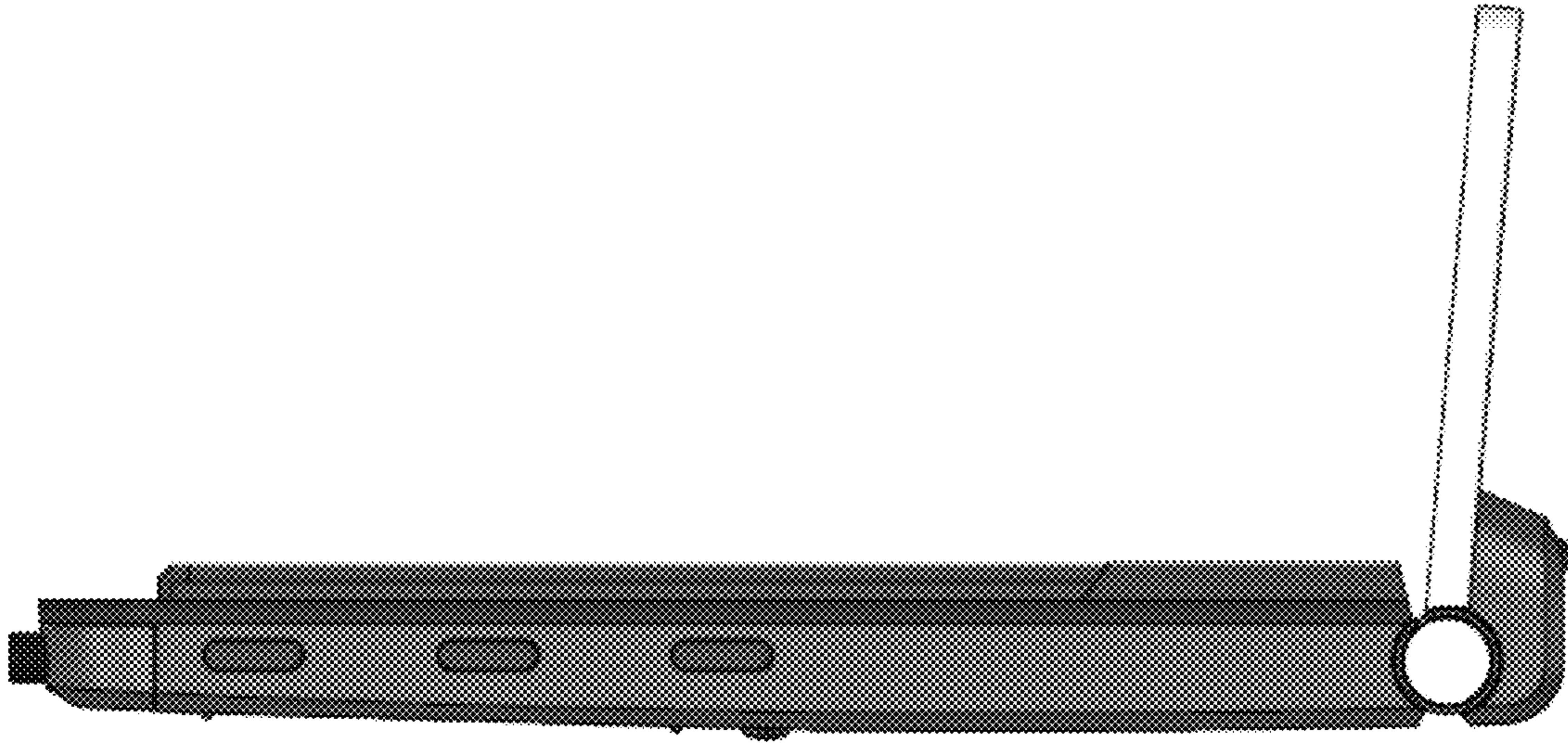


FIG. 3

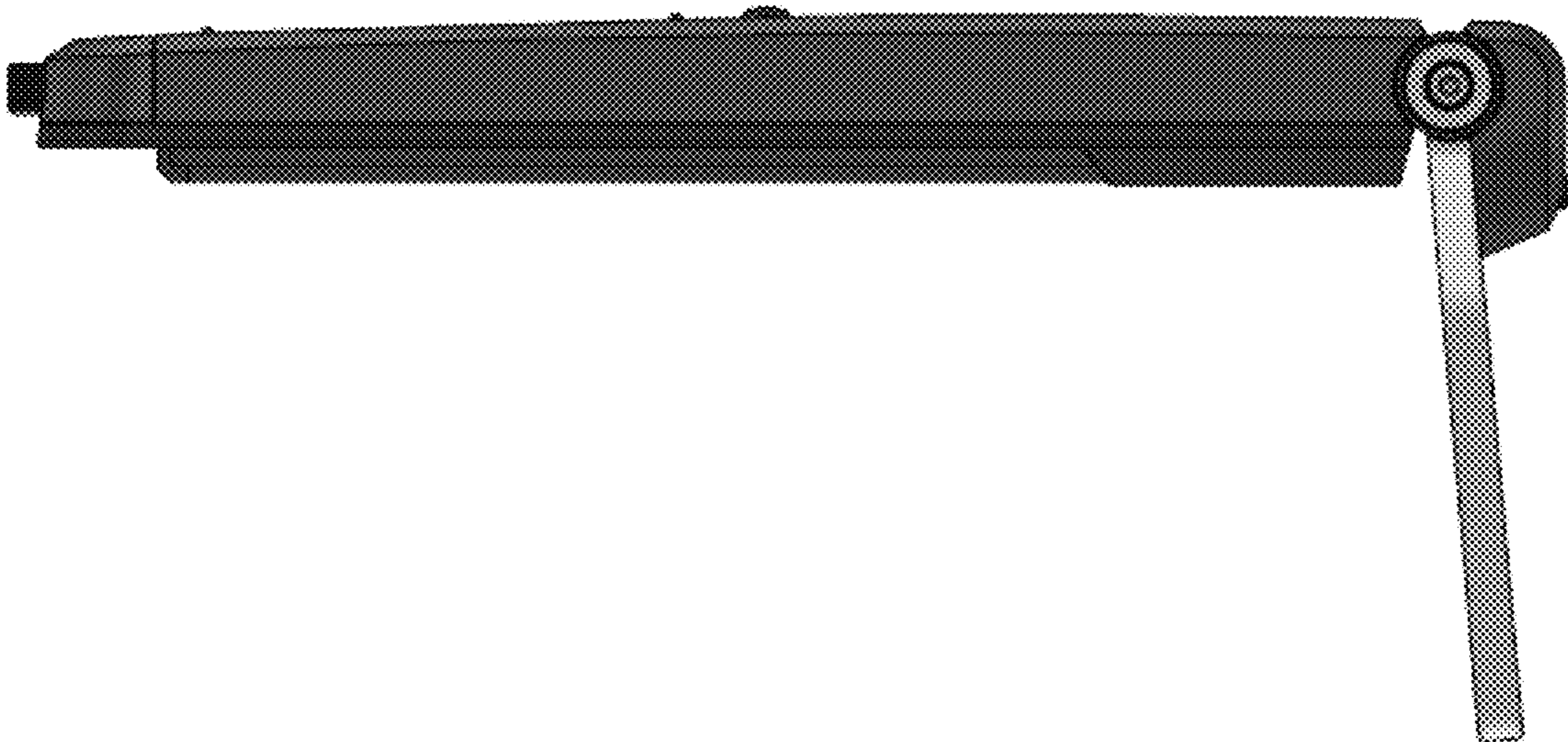


FIG. 4

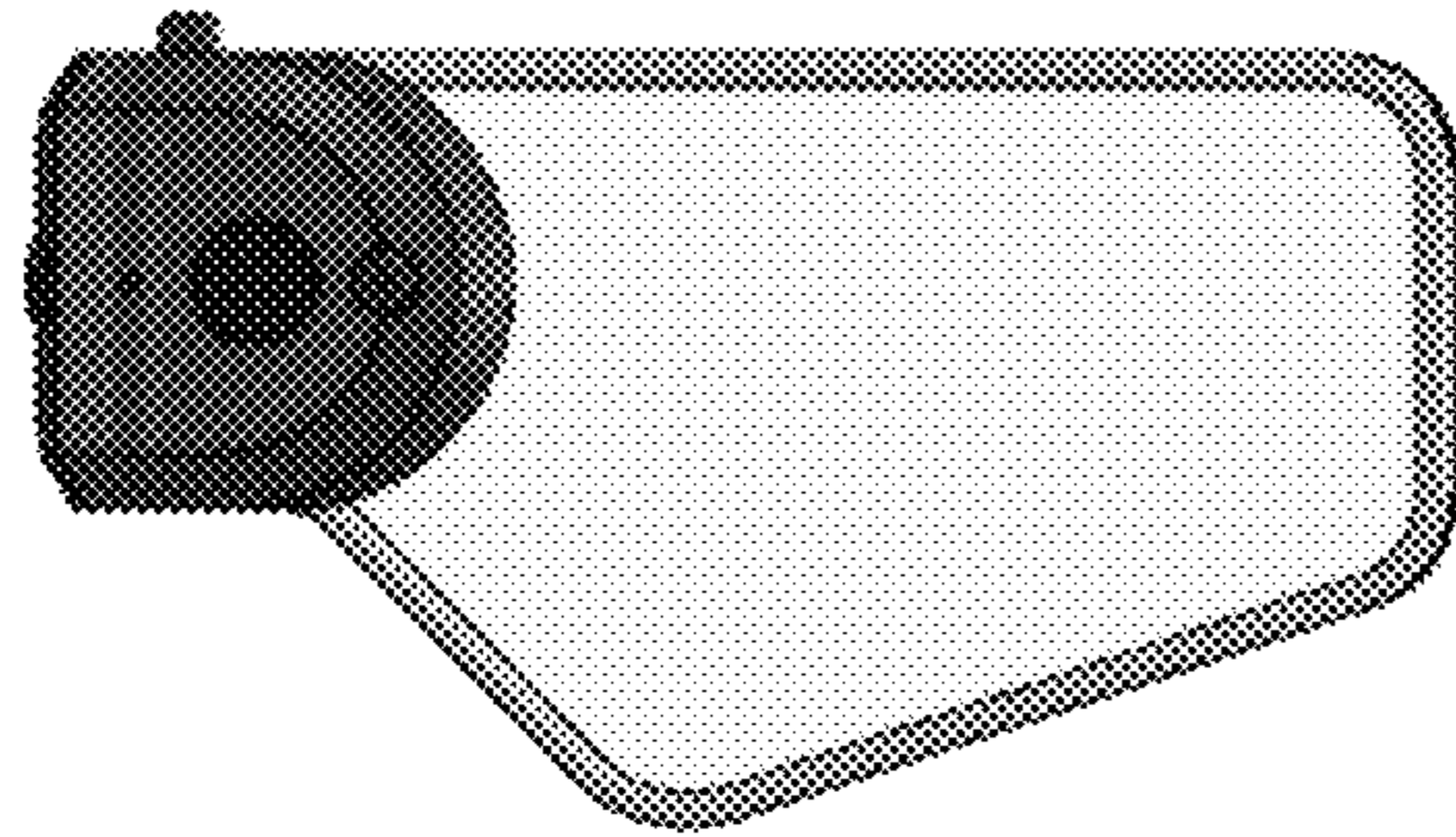


FIG. 5

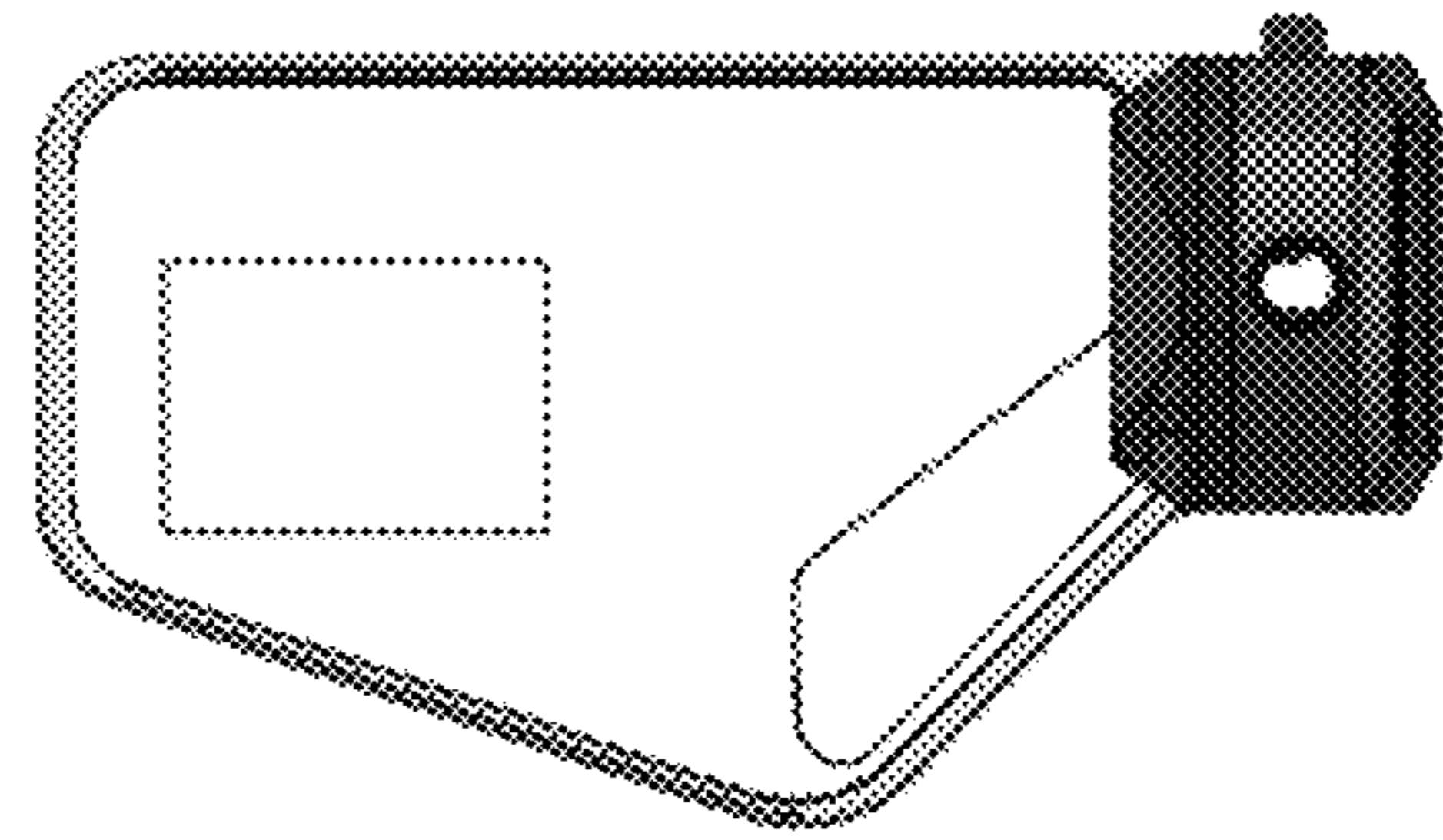


FIG. 6

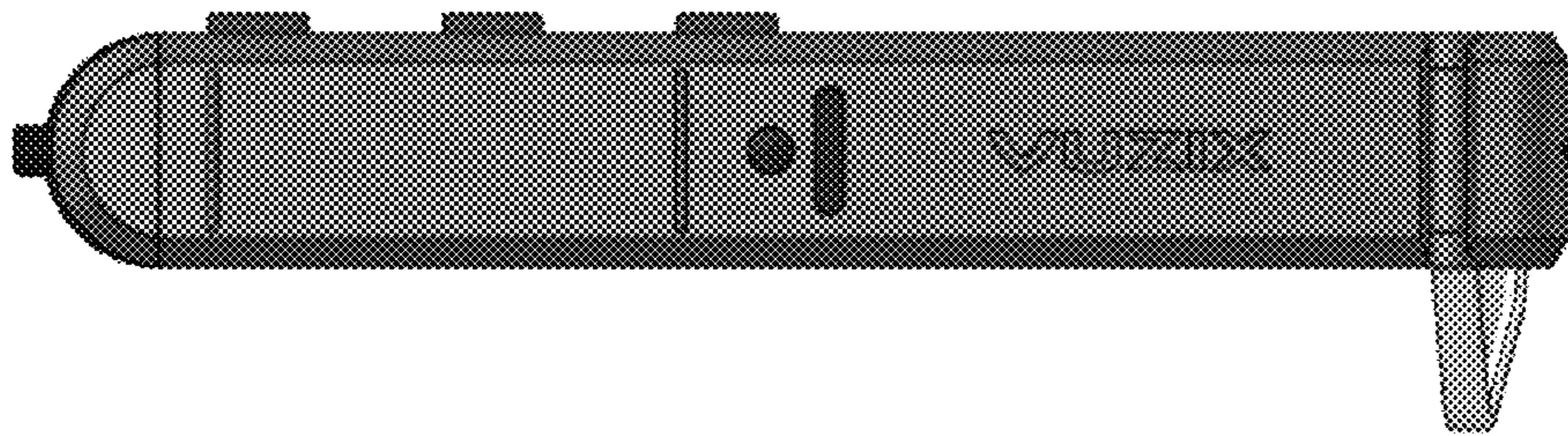


FIG. 7



FIG. 8