



US00D795865S

(12) **United States Design Patent** (10) **Patent No.:** **US D795,865 S**
Porter et al. (45) **Date of Patent:** **** Aug. 29, 2017**

- (54) **MONOCULAR SMART GLASSES**
- (71) Applicant: **Vuzix Corporation**, West Henrietta, NY (US)
- (72) Inventors: **Tyler W. Porter**, Honeoye Falls, NY (US); **Russell D. Page**, Palmyra, NY (US)
- (73) Assignee: **Vuzix Corporation**, West Henrietta, NY (US)
- (**) Term: **15 Years**
- (21) Appl. No.: **29/550,724**
- (22) Filed: **Jan. 6, 2016**
- (51) **LOC (10) Cl.** **14-02**
- (52) **U.S. Cl.**
USPC **D14/372**
- (58) **Field of Classification Search**
USPC D14/372, 496, 432, 371, 125, 126, 129, D14/299; D16/300–342; 351/158, 153, 351/144; 345/7–9, 905; 455/344; 348/115, 53, 121, 739
CPC G02B 27/017; G02B 27/0158; G02B 27/0161; G02B 27/0181; G02B 27/0185; G02B 27/0189
See application file for complete search history.

- (56) **References Cited**
- U.S. PATENT DOCUMENTS
- | | | | | |
|--------------|---------|-------------|-------|---------|
| D682,268 S * | 5/2013 | Ricks | | D14/372 |
| D704,247 S * | 5/2014 | Olsson | | D16/300 |
| D704,705 S * | 5/2014 | Mehin | | D14/372 |
| D718,304 S * | 11/2014 | Heinrich | | D14/372 |
| D718,306 S * | 11/2014 | Mehin | | D14/372 |
| D719,156 S * | 12/2014 | Lee | | D14/372 |
| D725,102 S * | 3/2015 | Lee | | D14/372 |
| D726,180 S * | 4/2015 | Roat et al. | | |
| D731,484 S * | 6/2015 | Olsson | | D14/372 |

- | | | | | |
|-------------------|---------|----------------|-------|-----------------------|
| D733,137 S * | 6/2015 | Kawai | | D14/372 |
| D735,193 S * | 7/2015 | Lee | | D14/372 |
| D735,716 S * | 8/2015 | Lee | | D14/372 |
| D761,795 S * | 7/2016 | Heinrich | | D14/372 |
| D761,796 S * | 7/2016 | Heinrich | | D14/372 |
| D765,076 S * | 8/2016 | Rochat | | D14/372 |
| D769,873 S * | 10/2016 | Cazalet | | D14/372 |
| D778,908 S * | 2/2017 | Mase | | D14/372 |
| 2009/0201460 A1 * | 8/2009 | Blum | | G02C 5/143
351/158 |
| 2015/0340010 A1 | 11/2015 | Travers et al. | | |
- * cited by examiner

Primary Examiner — Austin Murphy
 (74) *Attorney, Agent, or Firm* — Thomas B. Ryan; Harter Secrest & Emery LLP

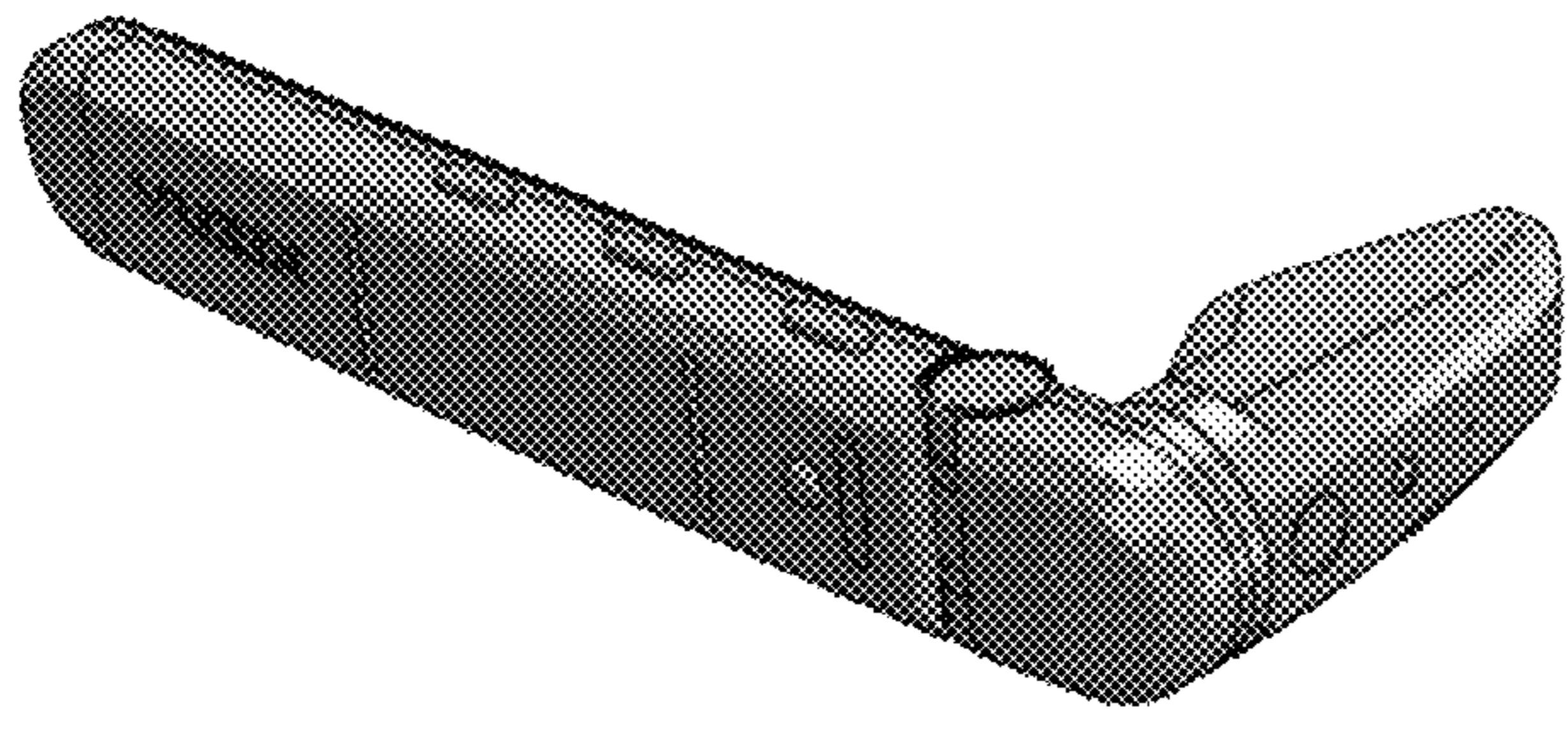
(57) **CLAIM**

The ornamental design for a monocular smart glasses, as shown and described.

DESCRIPTION

FIG. 1 is a top, front, and left side perspective view a monocular smart glasses showing our new design.
 FIG. 2 is a top, back, and right side perspective view thereof.
 FIG. 3 is a top plan view thereof.
 FIG. 4 is a bottom plan view thereof.
 FIG. 5 is a front elevational view thereof.
 FIG. 6 is a back elevational view thereof.
 FIG. 7 is a left side elevational view thereof.
 FIG. 8 is a right side elevational view thereof.
 FIG. 9 is a is a top, front, and left side perspective view of the monocular smart glasses showing an alternate position with an eyepiece in a different angular position with respect to a temple piece; and,
 FIG. 10 is a bottom plan view of the monocular smart glasses in the alternate position.
 The text appearing in FIGS. 1, 7, and 9 forms no part of the claimed design.

1 Claim, 4 Drawing Sheets



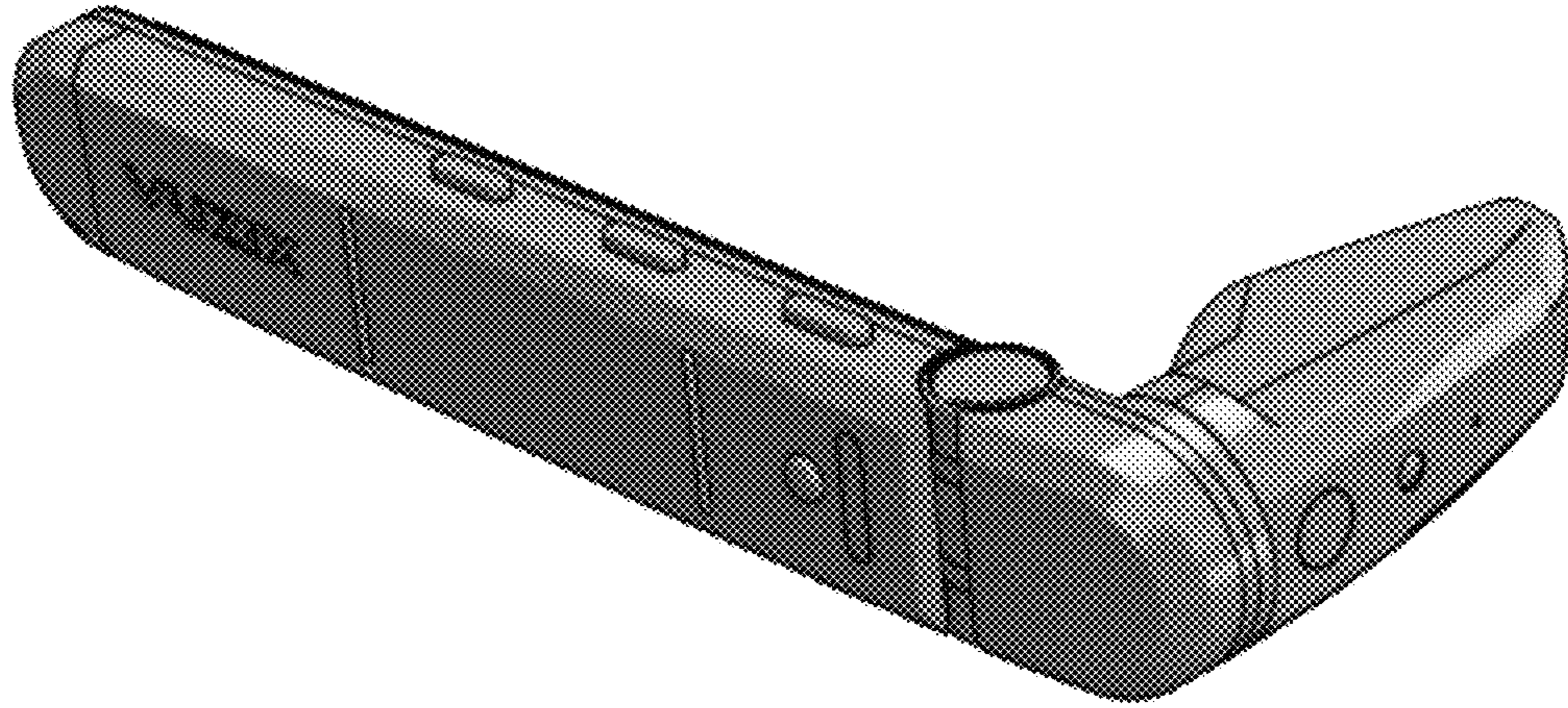


FIG. 1

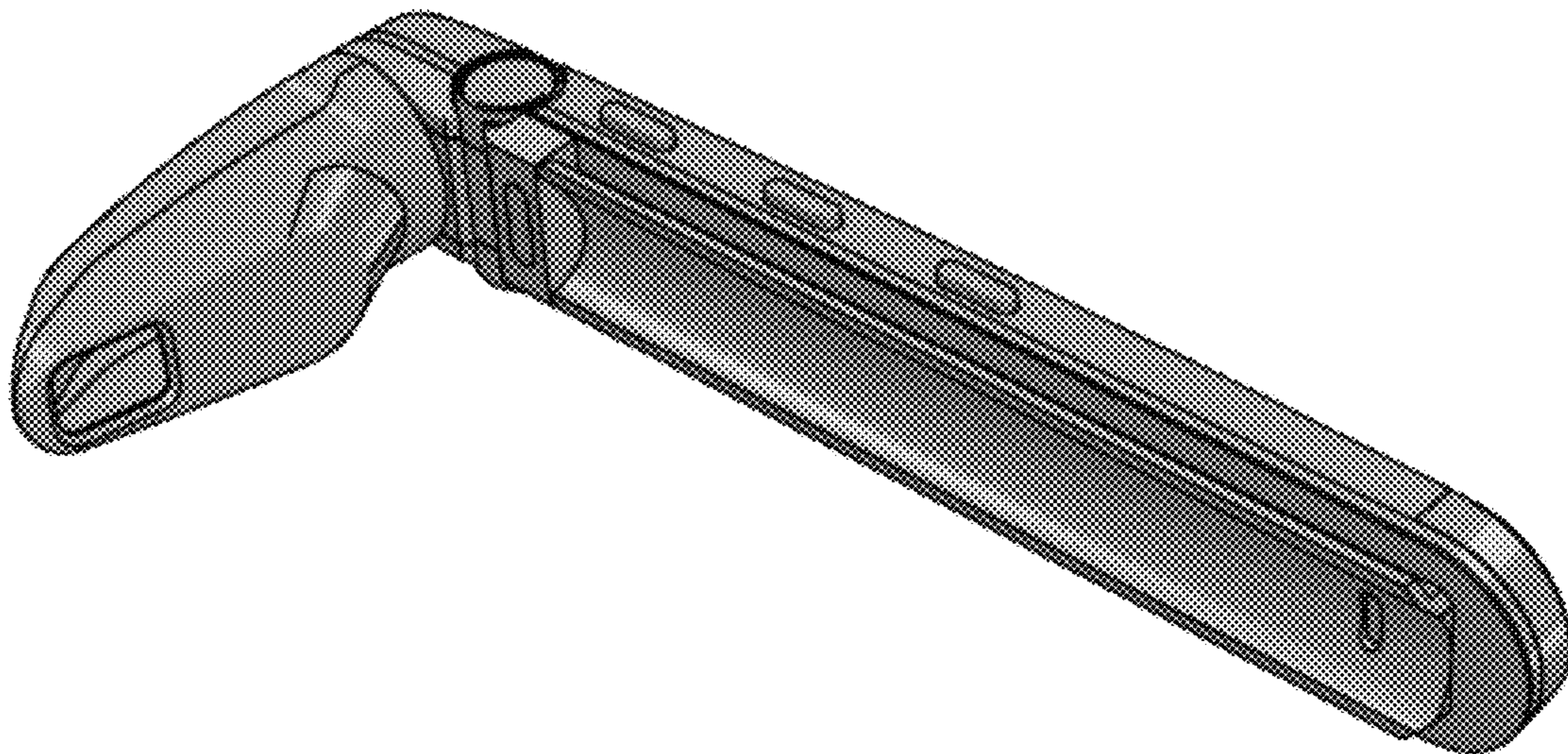


FIG. 2

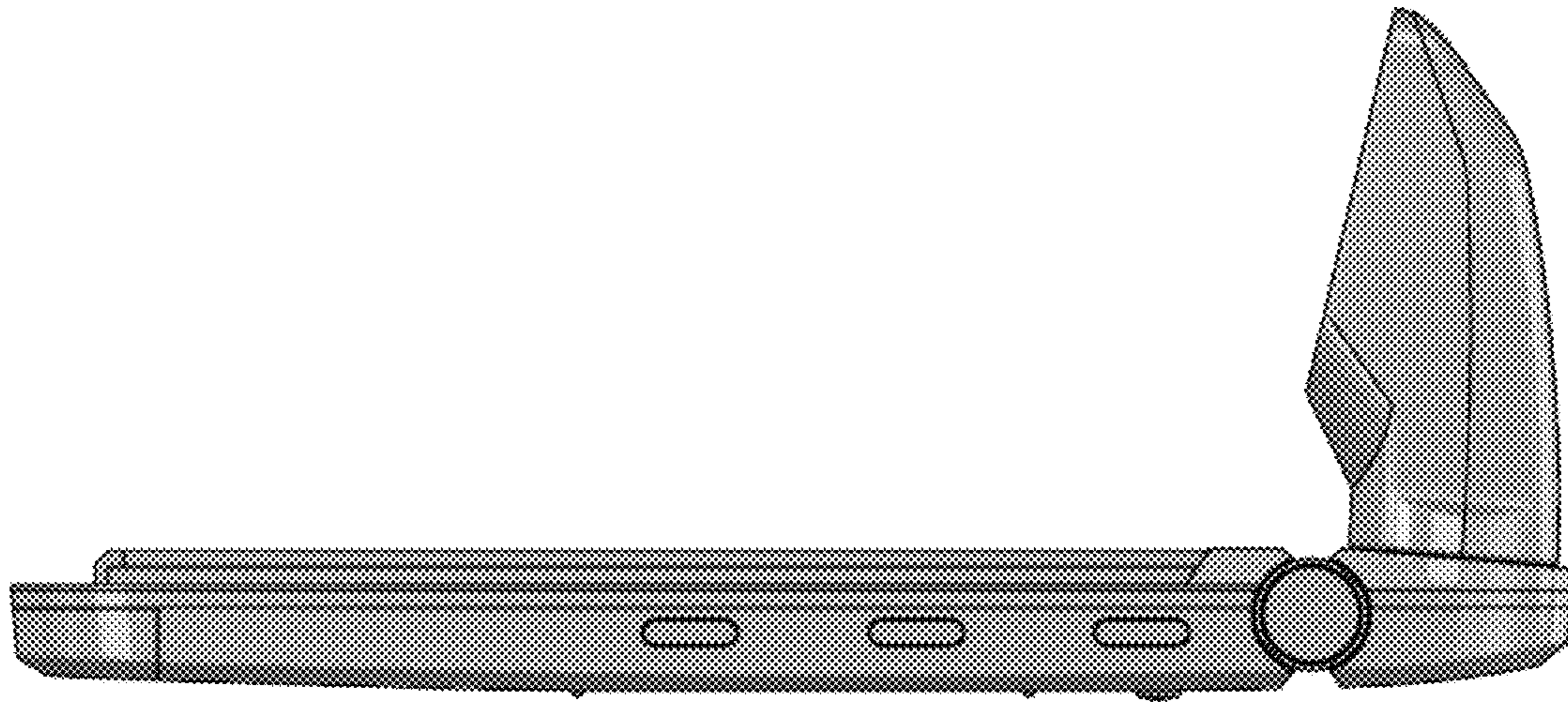


FIG. 3

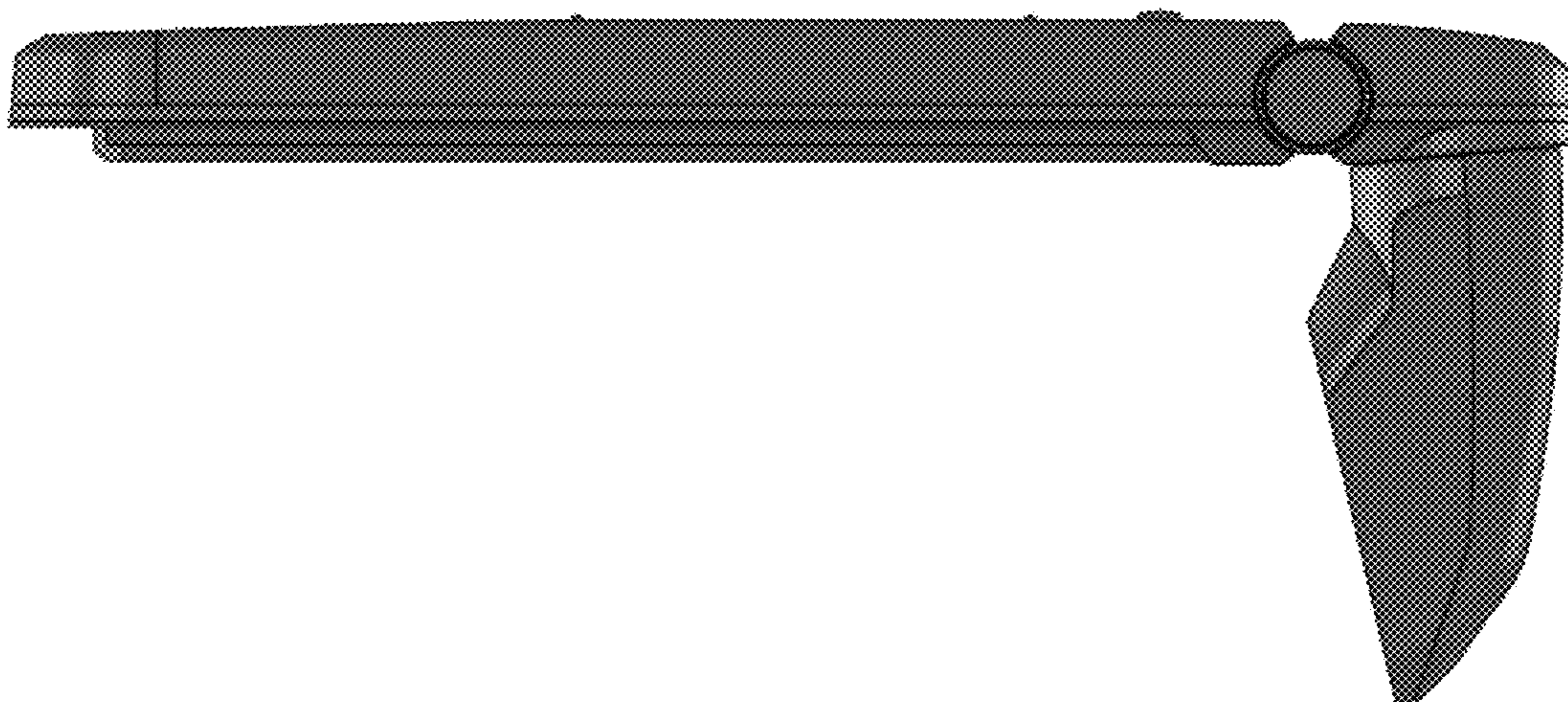


FIG. 4

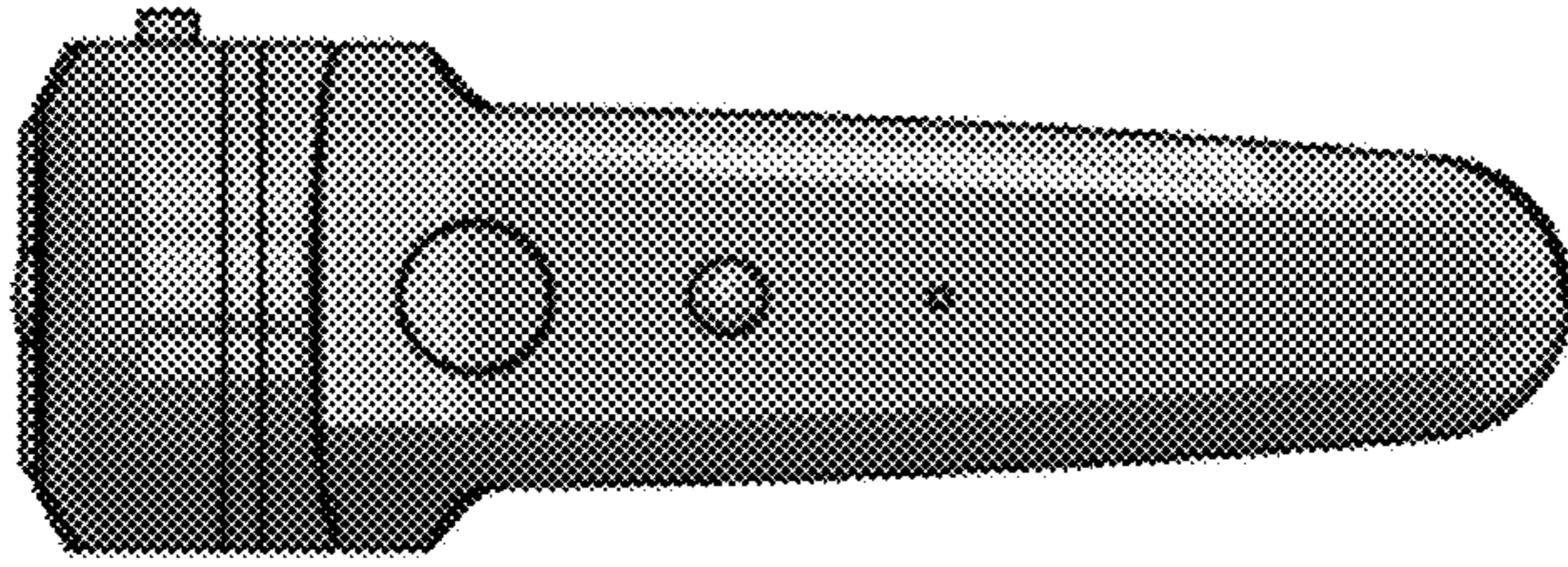


FIG. 5

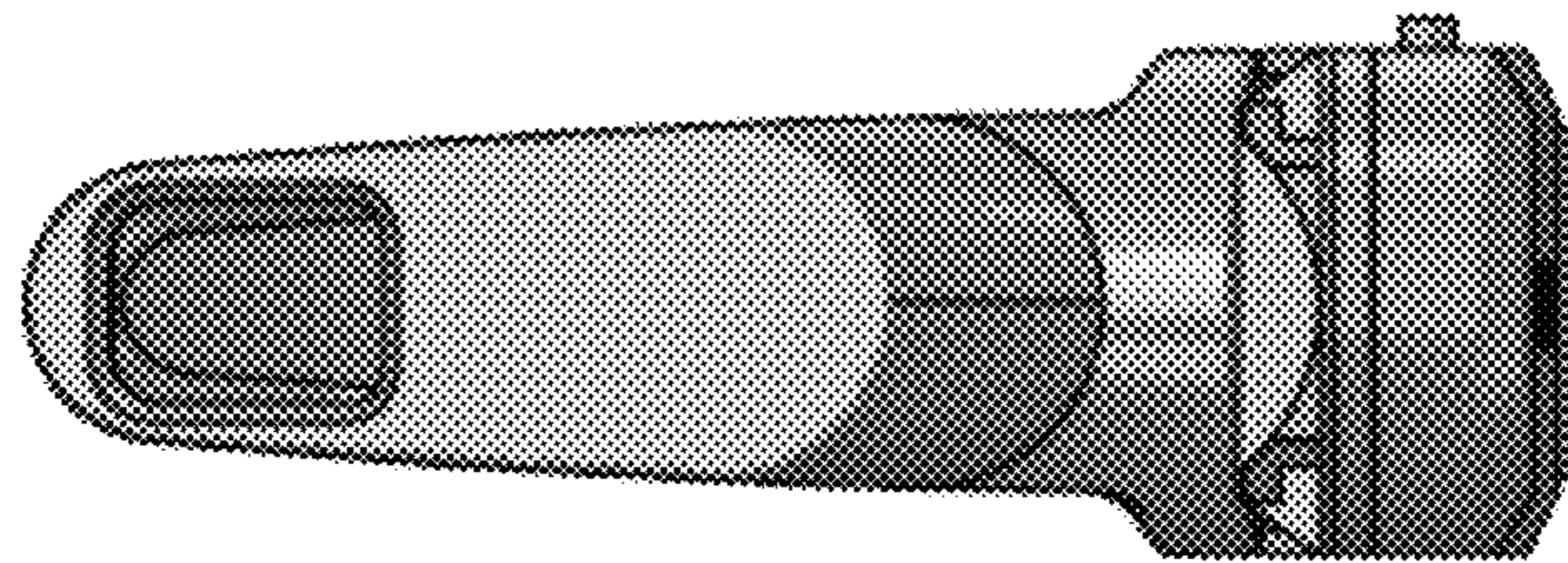


FIG. 6

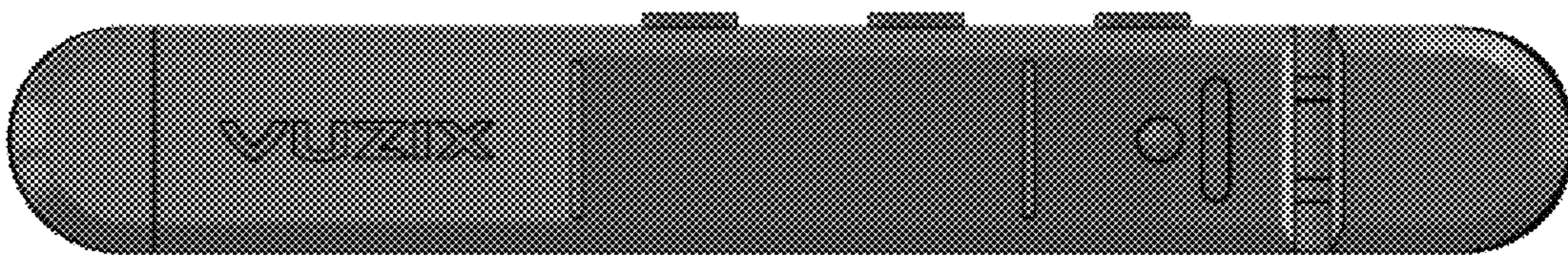


FIG. 7

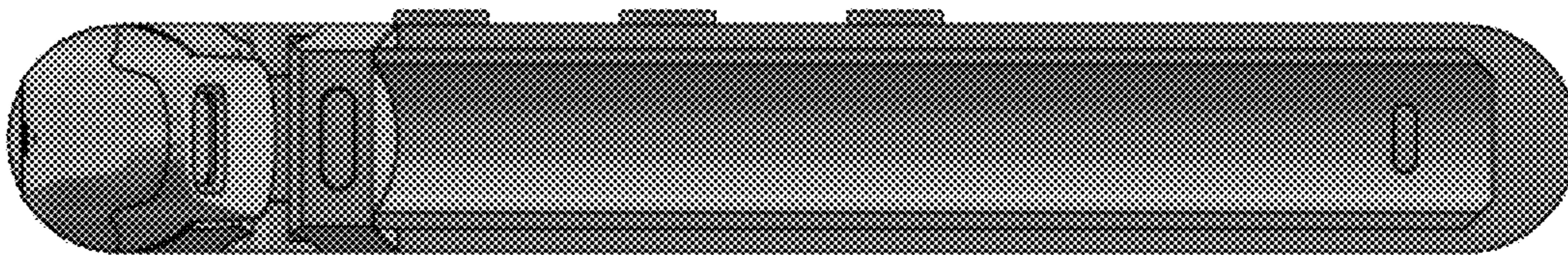


FIG. 8

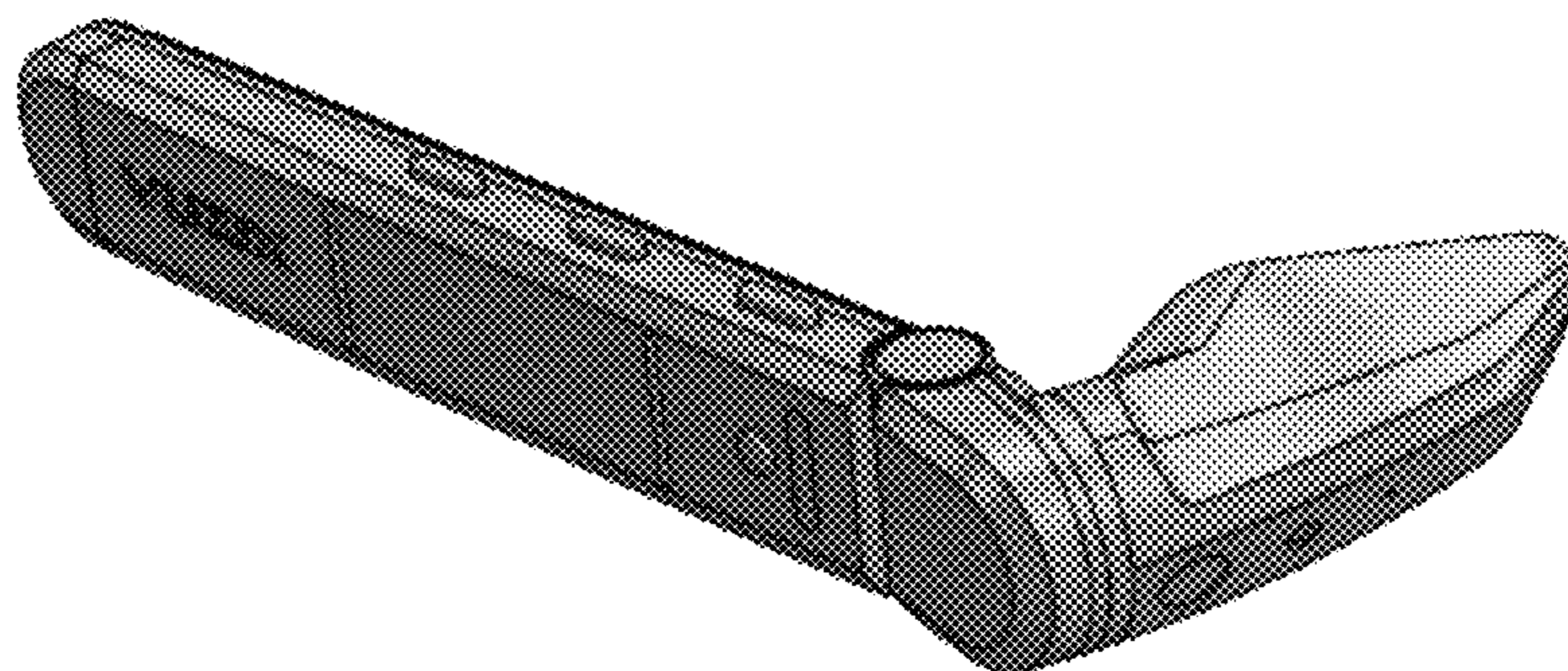


FIG. 9

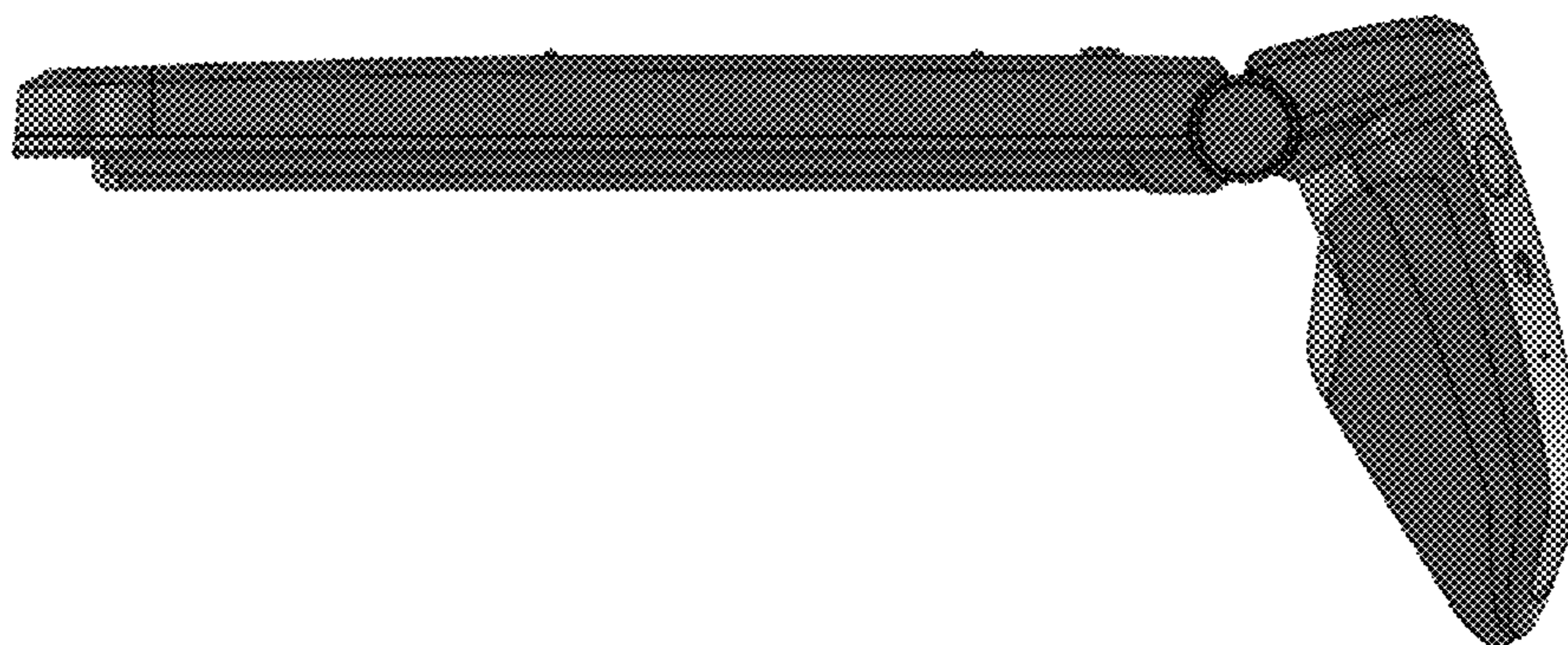


FIG. 10