

US00D795864S

(12) **United States Design Patent** (10) **Patent No.:** **US D795,864 S**
Akana et al. (45) **Date of Patent:** **** Aug. 29, 2017**

(54) **WEARABLE DEVICE**

(71) Applicant: **Apple Inc.**, Cupertino, CA (US)

(72) Inventors: **Jody Akana**, San Francisco, CA (US); **Bartley K. Andre**, Palo Alto, CA (US); **Shota Aoyagi**, San Francisco, CA (US); **Anthony Michael Ashcroft**, San Francisco, CA (US); **Jeremy Bataillou**, San Francisco, CA (US); **Daniel J. Coster**, San Francisco, CA (US); **Daniele De Iuliis**, San Francisco, CA (US); **M. Evans Hankey**, San Francisco, CA (US); **Julian Hoenig**, San Francisco, CA (US); **Richard P. Howarth**, San Francisco, CA (US); **Jonathan P. Ive**, San Francisco, CA (US); **Duncan Robert Kerr**, San Francisco, CA (US); **Marc A. Newson**, London (GB); **Matthew Dean Rohrbach**, San Francisco, CA (US); **Peter Russell-Clarke**, San Francisco, CA (US); **Benjamin Andrew Shaffer**, San Jose, CA (US); **Mikael Silvano**, San Francisco, CA (US); **Christopher J. Stringer**, Woodside, CA (US); **Eugene Antony Whang**, San Francisco, CA (US); **Rico Zörkendörfer**, San Francisco, CA (US)

(73) Assignee: **Apple Inc.**, Cupertino, CA (US)

(**) Term: **15 Years**

(21) Appl. No.: **29/583,454**

(22) Filed: **Nov. 4, 2016**

Related U.S. Application Data

(63) Continuation of application No. 29/499,082, filed on Aug. 11, 2014, now Pat. No. Des. 771,036.

(51) **LOC (10) Cl.** **14-02**

(52) **U.S. Cl.**
USPC **D14/344**

(58) **Field of Classification Search**

USPC D14/344, 138 R, 144, 358; D2/623, 626, D2/639, 878; D8/88, 356; D10/30-39, D10/70, 98; D11/3, 87, 93-94, 200, 201, D11/210, 216, 218, 221, 230-231; D24/167, 169, 186-187

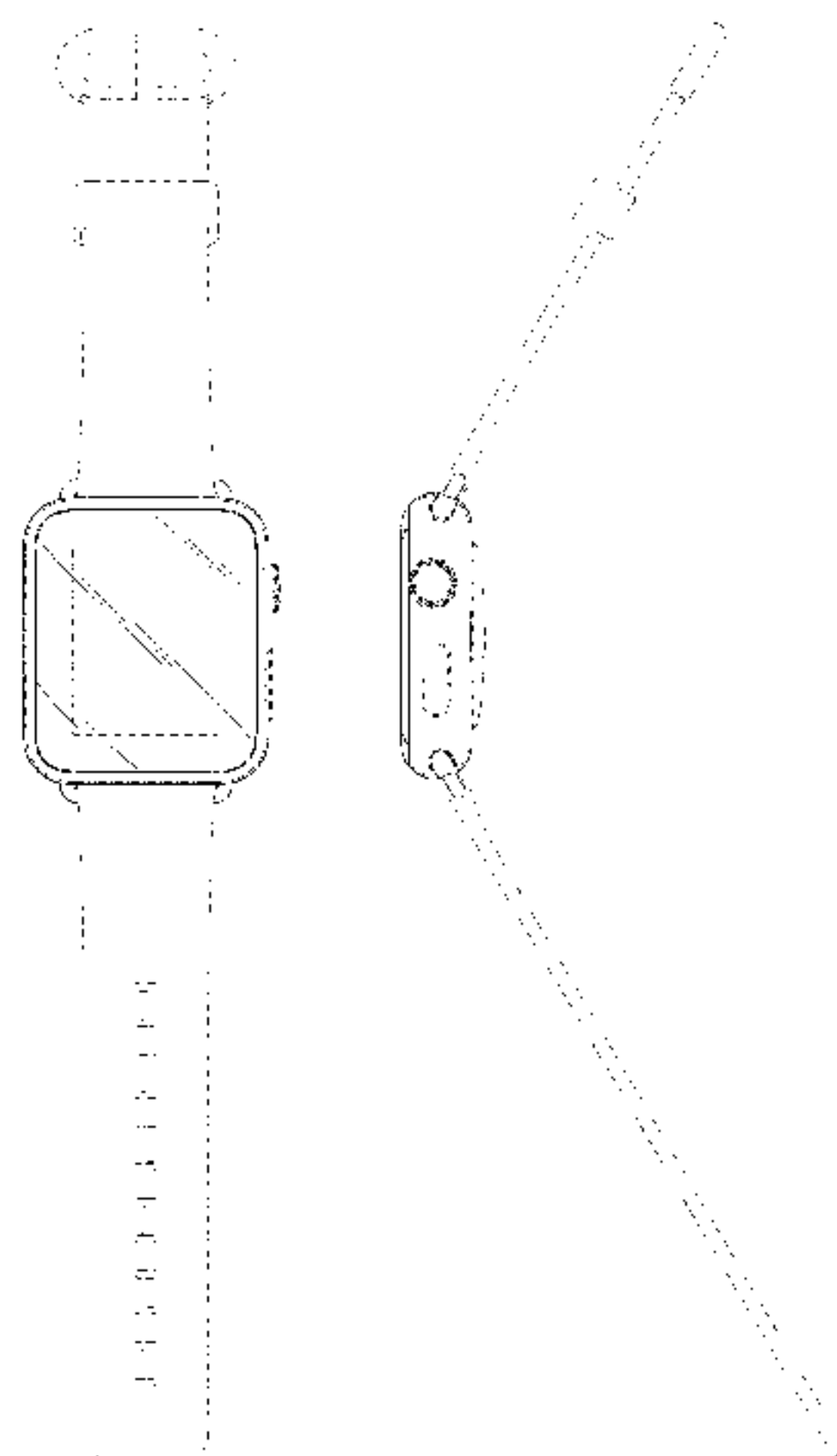
CPC G06F 1/163; G06F 1/1628; G06F 1/1626; G06F 1/1635; G06F 1/08; G06F 1/10; G06F 1/04; G06F 1/14; G06F 1/3203; A41D 1/002; H04M 1/02; H04M 1/03; H04M 1/04; H04M 1/05; H04M 1/667; H04M 1/6058; Y02B 60/1217; H04B 1/385; H04B 1/3888; H04B 1/3833; A44C 5/00

See application file for complete search history.

(56) **References Cited**

U.S. PATENT DOCUMENTS

2,280,490	A	4/1942	Keltie	
2,397,797	A	4/1946	Curto	
D152,491	S	1/1949	Osier	
3,030,686	A	4/1962	Burkhardt	
3,640,065	A	2/1972	Lederrey et al.	
3,665,565	A	5/1972	Kruger	
3,675,284	A	7/1972	Rieth	
D269,254	S	6/1983	Kishimoto	
D287,471	S	12/1986	Sato et al.	
D299,718	S	2/1989	Steer et al.	
D305,422	S	1/1990	Steer et al.	
D320,356	S	10/1991	Boyer et al.	
D331,020	S	* 11/1992	Ishii	D10/30
D333,626	S	3/1993	Chang	
D349,864	S	8/1994	Dunlap et al.	
5,363,351	A	11/1994	Carney	
D355,375	S	2/1995	Bandy, II	
5,386,933	A	2/1995	Greene et al.	
5,574,701	A	11/1996	Harilela	
D377,914	S	2/1997	Riley	
D379,327	S	5/1997	Navera	
D379,775	S	6/1997	Gazzola	
D383,985	S	9/1997	Davenport	
D386,980	S	12/1997	Houlihan	
5,886,669	A	3/1999	Kita	
D439,172	S	3/2001	Brzezinski	
D440,901	S	4/2001	Bruce et al.	
6,219,303	B1	4/2001	Morohoshi et al.	
D441,680	S	5/2001	Bruce et al.	
6,238,083	B1	5/2001	Hirano et al.	



US D795,864 S

Page 2

D455,093 S	4/2002	Fitzgerald			
D473,818 S	4/2003	Salvisberg			
6,655,831 B1	12/2003	Ruffieux			
D494,098 S	8/2004	Cohen			
D496,589 S	9/2004	Perrenoud			
6,801,476 B2	10/2004	Gilmour			
6,970,157 B2	11/2005	Siddeeq			
D513,195 S	12/2005	Gruosi			
7,004,469 B2	2/2006	Von Goeben			
D528,018 S	9/2006	Burton			
D528,439 S	9/2006	Burton			
D528,928 S	9/2006	Burton			
7,106,197 B2	9/2006	Gaiotto et al.			
D536,265 S	2/2007	Reynoso			
D538,687 S	3/2007	Komulainen			
D549,602 S	8/2007	Oberrieder et al.			
D550,105 S	9/2007	Oberrieder et al.			
7,275,667 B2	10/2007	Bertucci			
D558,227 S	12/2007	Cho et al.			
D560,520 S	1/2008	Oberrieder et al.			
D564,904 S	3/2008	Leung			
D569,282 S	5/2008	Daniel			
D572,266 S	7/2008	Anderson et al.			
D573,905 S	7/2008	Poirier			
D574,735 S	8/2008	Landman et al.			
D578,922 S	10/2008	Hoshino			
D584,170 S	1/2009	Morrison			
D586,823 S	2/2009	Anderson et al.			
D589,375 S	3/2009	Tang			
D596,610 S	7/2009	Hou			
7,591,581 B2	9/2009	Lovegrove et al.			
D610,476 S	2/2010	Daniel			
D616,417 S	5/2010	Liao			
7,708,457 B2	5/2010	Girardin et al.			
D622,164 S	8/2010	Mikkelsen			
D631,373 S	1/2011	Mikkelsen			
D637,094 S	5/2011	Cobbett et al.			
D637,918 S	5/2011	Cobbett et al.			
D645,360 S	9/2011	Kiser et al.			
D650,706 S	12/2011	Zanella et al.			
D666,503 S	9/2012	Bulgari			
D670,583 S	11/2012	Shaanan			
D672,667 S	12/2012	Mix			
D681,483 S	5/2013	Biegert et al.			
8,601,784 B2	12/2013	Kaltenrieder			
8,613,544 B2	12/2013	Kitahara et al.			
D699,701 S *	2/2014	Kim	D14/203.7		
D714,288 S	9/2014	Aumiller et al.			
D715,674 S	10/2014	Squires			
D717,678 S	11/2014	Anderssen et al.			
D717,679 S	11/2014	Anderssen et al.			
D719,123 S	12/2014	Park et al.			
D719,467 S	12/2014	Bradbury			
D720,249 S	12/2014	Park et al.			
D720,355 S	12/2014	Akana et al.			
D724,176 S *	3/2015	Maestas	D22/149		
D724,469 S *	3/2015	Akana	D11/3		
D724,556 S *	3/2015	Choi	D10/32		
D727,197 S	4/2015	Akana et al.			
D727,198 S *	4/2015	Akana	D11/3		
D727,199 S	4/2015	Akana et al.			
D727,787 S	4/2015	Akana et al.			
D728,624 S *	5/2015	Akana	D14/496		
D729,237 S *	5/2015	Fagnot	D14/344		
D729,654 S *	5/2015	Nuovo	D10/103		
D729,670 S	5/2015	Nuovo et al.			
D731,346 S	6/2015	Akana et al.			
D732,416 S *	6/2015	Akana	D11/3		
D737,156 S	8/2015	Akana et al.			
D737,157 S *	8/2015	Akana	D10/32		
D737,158 S	8/2015	Akana et al.			
D737,159 S *	8/2015	Akana	D10/32		
D739,780 S	9/2015	Akana et al.			
D740,693 S *	10/2015	Carmichael	D10/32		
D741,726 S *	10/2015	Akana	D10/30		
D744,356 S	12/2015	Akana et al.			
D745,421 S	12/2015	Akana et al.			
D746,707 S	1/2016	Akana et al.			
D748,008 S	1/2016	Akana et al.			
D748,009 S	1/2016	Akana et al.			
D748,010 S	1/2016	Akana et al.			
D748,527 S	2/2016	Akana et al.			
D749,009 S	2/2016	Akana et al.			
D749,460 S	2/2016	Akana et al.			
D750,524 S *	3/2016	Akana	D11/3		
D751,070 S	3/2016	Akana et al.			
D751,550 S *	3/2016	Solomon	D10/38		
D752,044 S	3/2016	Akana et al.			
D756,357 S *	5/2016	Akana	D10/30		
D756,824 S *	5/2016	Akana	D10/103		
D757,819 S *	5/2016	Akana	D14/496		
D758,363 S	6/2016	Akana et al.			
D759,011 S *	6/2016	Akana	D14/344		
D759,121 S *	6/2016	Akana	D14/203.7		
D759,725 S *	6/2016	Akana	D14/496		
D760,395 S *	6/2016	Barbaric	D24/186		
D764,340 S	8/2016	Akana et al.			
D764,346 S	8/2016	Akana et al.			
D764,967 S *	8/2016	Akana	D11/94		
D768,025 S *	10/2016	Akana	D11/3		
D768,623 S *	10/2016	Zou	D10/39		
D768,634 S	10/2016	Akana et al.			
D771,036 S *	11/2016	Akana	D14/344		
D771,038 S *	11/2016	Akana	D14/344		
2001/0017663 A1	8/2001	Yamaguchi et al.			
2002/0051075 A1	5/2002	Yamaguchi et al.			
2010/0061191 A1	3/2010	Chen			
2014/0096345 A1	4/2014	Tschumi			
2014/0098649 A1	4/2014	Tschumi			
2016/0062392 A1 *	3/2016	Townsend	G06F 1/163 361/679.03		
2016/0062405 A1 *	3/2016	Mylvaganam	B23K 26/364 361/679.03		
2017/0046451 A1 *	2/2017	Akana	G06F 17/50		
2017/0065038 A1 *	3/2017	Griffin, II	A44C 5/0053		

FOREIGN PATENT DOCUMENTS

CN	302900930 S	8/2014
DE	19513647 A1	10/1995
DE	10229050 C1	6/2003
EP	1098231 A1	5/2001
EP	001109706-0025	5/2009
EP	2636328 A1	9/2013
ES	001359301-0002	6/2013
GB	618917 A	3/1949
GB	1056574	8/1989
GB	2047767	9/1995
GB	2049316	12/1995
GB	2082277	6/1999
HK	0501949.8	12/2005
HK	1001605.7	12/2010
JP	D1126907	11/2001
JP	D1337795	8/2008
JP	D1423962	9/2011
JP	D1433115	2/2012
JP	D1448029	8/2012
JP	D1462747	2/2013
WO	WO-DM/012262-001	1/1989
WO	WO-DM/049450-002	12/1999
WO	WO-DM/066491-004	3/2005
WO	WO-DM072215	9/2009
WO	WO-DM/077452-004	6/2011
WO	WO-DM/079044-003	9/2012
WO	WO-2013182397 A1	12/2013
WO	WO-2014135709 A2	9/2014

OTHER PUBLICATIONS

Google's upcoming smartwatch is an Android project not X Lab, posted Mar. 22, 2013, [retrieved Jul. 22, 2016]. Retrieved from Internet, <URL: <http://www.talkandroid.com/155456-google-upcoming-smartwatch-is-an-android-project-not-x-lab/>>.*

Omate Smartwatch Launches on Kickstarter Offering a Wealth of Features, posted Aug. 22, 2013, [retrieved Jul. 22, 2016]. Retrieved from Internet, <URL: <http://www.geeky-gadgets.com/omate->

smartwatch-launches-on-kickstarter-offering-a-wealth-of-features-video-22-08-2013/ >.*

Apple Watch: What We Know So Far, posted Feb. 24, 2015, [retrieved Jun. 16, 2017]. Retrieved from Internet, <URL: <https://watchaware.com/post/4552/apple-watch-what-we-know-so-far-test-title> >.*

Battle of the Smartwatches: Apple Watch vs. the Android Wear Host [Design] The Apple Watch is here, but what will you choose?, posted Sep. 10, 2014, [retrieved Jun. 16, 2017]. Retrieved from Internet, <URL: http://news.softpedia.com/news/Battle-of-the-Smartwatches-Apple-Watch-vs-the-Android-Wear-Host-Design-458328.shtml#sgal_1 >.*

U.S. Appl. No. 29/499,071, filed Aug. 11, 2014; Akana et al.

U.S. Appl. No. 29/499,081, filed Aug. 11, 2014; Akana et al.

U.S. Appl. No. 29/499,090, filed Aug. 11, 2014; Akana et al.

Alvarez, Edgar, “Basis Peak to get its smartwatch-like features in December,” *engadget.com*, < <http://www.engadget.com/2014/11/20/basis-peak-new-features/> >, dated Nov. 20, 2014, accessed Dec. 15, 2014.

Cool Material, “Braun Square Digital Watch,” < <http://web.archive.org/web/20111125033014/http://coolmaterial.com/style/braun-square-digital-watch/> >, dated Nov. 25, 2011, accessed Dec. 18, 2014.

Emily, “Nixon—The Newton Digital,” < <http://www.freshnessmag.com/2009/09/08/nixon-the-newton-digital/> >, *freshnessmag.com*, dated Sep. 8, 2009, accessed Oct. 9, 2014.

etsy.com, “1 Set Silver End Cap Clasp—Findings Large Toggle Clasp End Caps Buckle Connector with Five Inside Loops for Jewelry Making 26mm,” < <http://www.etsy.com/listing/101269004/1-set-silver-end-cap-clasp-findings?ref=market> >, Listed on Aug. 29, 2014, accessed Oct. 9, 2014.

“Field Ops Watch Band Kit” < <http://www.511tactical.com/field-ops-watch-band-kit.html> >, accessed Nov. 25, 2014.

Fitbit, “Fitbit Surge™ Fitness Super Watch” < <https://www.fitbit.com/surge> >, accessed Dec. 15, 2014.

geekbuying.com, “Makibes unisex red led digital wrist watch with square case silicone watchband—white,” < <http://www.geekbuying.com/item/Unisex-Red-LED-Digital-Wrist-Watch-with-Square-Case-Silicone-Watchband---White-326443.html> >, accessed Oct. 9, 2014.

Google’s upcoming smartwatch is an Android project not X Lab, posted Mar. 22, 2013, [retrieved Jul. 22, 2016]. Retrieved from Internet, <URL: <http://www.talkandroid.com/155456-googles-upcoming-smartwatch-is-an-android-project-not-x-lab/> >.

Hiemstra, Graham, “Worn & Wound Model 1 Horween Watch Strap,” < <http://www.coolhunting.com/style/worn-wound-model-1-horween-watch-strap> >, dated Aug. 27, 2013, accessed Nov. 25, 2014.

Hilbourne, Jason, “Wide Body: straps for Pebble,” < <https://www.kickstarter.com/projects/1171859847/wide-body-straps-for-pebble> >, Listed Apr. 2, 2013, accessed Nov. 25, 2014.

Hodinkee.com, “Apple iPod Nano Now Available With Mickey Mouse Dial, Also Cheesy, Mechanically Inaccurate Open-Worked Dial,” < <http://web.archive.org/web/20111006043916/http://www.hodinkee.com/blog/2011/10/5/apple-ipod-nano-now-available-with-mickey-mouse-dial-also-ch.html> >, dated Oct. 6, 2011, accessed Dec. 18, 2014.

Homego, “M6 Silver Smart Watch Cell Phone 1.54 inch Bluetooth 3.0 Dialer Outdoor Sports Pedometer,” *amazon.com*, < <http://www.amazon.com/Silver-Bluetooth-Dialer-Outdoor-Pedometer/dp/B00MQTBGK6> >, accessed Dec. 15, 2014.

Ikepod, “Original Ikepod Watch With GMT—Marc Newson Design,” *Watchbox.be*, < <http://www.watchbox.be/prod/Others-Watches/Marc%20Newson%20Design/item7165.htm#> >.

VJLm2fAo5D8>, accessed Dec. 17, 2014.

LG Life’s Good, “LG G Watch (W100),” < <http://www.lg.com/us/smart-watches/lg-W100-g-watch> >, accessed Dec. 18, 2014.

Metawatch, “Frame—Black (MW3005),” < <http://meta.watch/collections/smartwatch-all/products/frame-ss-black-leather> >, accessed Dec. 15, 2014.

Omate, “Omate TrueSmart: Water-resistant standalone Smartwatch 2.0,” < <http://www.kickstarter.com/projects/omate/omate-truesmart-water-resistant-standalone-smartwa> >, dated Aug. 21, 2013, accessed Oct. 8, 2014.

Ornate Smartwatch Launches on Kickstarter Offering a Wealth of Features, posted Aug. 22, 2013, [retrieved Jul. 22, 2016]. Retrieved from Internet, URL: <http://www.geeky-gadgets.com/omate-smartwatch-launches-on-kickstarter-offering-a-wealth-of-features-video-22-08-2013/>.

Omate, “The TrueSmart™ is the world’s first standalone smartwatch 2.0 running on top of Android and OUI 2.0,” < <http://www.omate.com/product.html> >, accessed Dec. 15, 2014.

[Online] http://a.abcnews.com/images/Business/HT_gold_apple_iwatch_jef_140909_4x3_992.jpg, Retrieved on Feb. 4, 2015, 1 page.

Pebble, “Pebble Smartwatch,” *getpebble.com*, < <https://getpebble.com/checkout> >, accessed Dec. 15, 2014.

Samsung, “Samsung Gear™ 2 Charcoal Black SM-R3800VSAXAR,” < <http://www.samsung.com/us/mobile/wearable-tech/SM-R3800VSAXAR> >, accessed Dec. 15, 2014.

Samsung, “Samsung Gear S™, (Sprint), Black SM-R750PZKASPR,” < <http://www.samsung.com/us/mobile/wearable-tech/SM-R750PZKASPR> >, accessed Dec. 15, 2014.

Samsung, “Galaxy Gear™ Live, Black SM-R3820ZKAXAR,” < <http://www.samsung.com/us/mobile/wearable-tech/SM-R3820ZKAXAR> >, accessed Dec. 15, 2014.

Sony, “SmartWatch,” < <http://www.sonymobile.com/us/products/accessories/smartwatch/> >, accessed Dec. 15, 2014.

Sony, “SmartWatch 3 SWR50,” < <http://www.sonymobile.com/us/products/smartwear/smartwatch-3-swr50/> >, accessed Dec. 15, 2014.

Stables, James, “Clevercare smartwatch aims to help Alzheimer’s suffers and carers: Revamped Sony SmartWatch 2 designed for users that need care,” *Wearable News*, < <http://www.wearable.com/wearable-tech/clevercare-smartwatch-aims-to-help-alzheimers-suffers-and-carers-585> >, dated Dec. 15, 2014.

Team Luxe, “Collector’s Edition: Hermes Carre H Watch,” *Luxpresso*, < <http://luxpresso.com/news-couture/collectors-edition-hermes-carre-h-watch/2814> >, dated Jan. 10, 2011, accessed Dec. 18, 2014.

Ted Baker, “Ted Baker Men’s TE1054 Time Flies Contemporary Square Digital Case Watch,” < <http://www.amazon.com/Ted-Baker-TE1054-Contemporary-Digital/dp/B0045CRTYO%3FSubscriptionId%3DAKIAJ3U4YRIBWCGGKZ2A%26tag%3Dfrases365-20%26linkCode%3Dsp1%26camp%3D2025%26creative%3D165953%26creativeASIN%3DB0045CRTYO> >, accessed Oct. 9, 2014.

“Timex Men’s Q7B808 Ironman Triathlon 30-Lap Resin 16mm Replacement Watchband” < http://www.amazon.com/Timex-Ironman-Triathlon-Replacement-Watchband/dp/B003OPZ5D0/ref=sr_1_1?s=apparel&ie=UTF8&qid=1416701895&sr=1-1&keywords=Timex+Men%27s+Q7B808+Ironman+Triathlon+Lap+Resin+16mm+Replacement+Watchband >, accessed Nov. 25, 2014.

Velazco, Chris, “ASUS ZenWatch review: subtle and stylish, with a few shortcomings,” *Engadget.com*, < <http://www.engadget.com/2014/12/11/asus-zenwatch-review/> >, dated Dec. 11, 2014, accessed Dec. 15, 2014.

Watches Infoniac.com, “Hermes Carre H Watch—Extremely Contemporary Design,” < <http://watches.infoniac.com/carre-h-watch-hermes.html> >, dated Aug. 13, 2010, accessed Dec. 18, 2014.

Watchismo, “Braun BN0042 Black Date Leather,” < <http://web.archive.org/web/20130815073830/http://www.watchismo.com/braun-bn0042bkbk.aspx> >, dated Aug. 15, 2013, accessed Dec. 18, 2014.

* cited by examiner

Primary Examiner — Barbara Fox

Assistant Examiner — Kristin E Reed

(74) *Attorney, Agent, or Firm* — Sterne, Kessler,
Goldstein & Fox P.L.L.C.

(57) **CLAIM**

The ornamental design for a wearable device, as shown and described.

DESCRIPTION

FIG. 1 is a front view of a wearable device showing the claimed design;

FIG. 2 is a rear view thereof;

FIG. 3 is a right side view thereof;

FIG. 4 is a left side view thereof;

FIG. 5 is a top view thereof; and,

FIG. 6 is a bottom view thereof.

The oblique shade lines in the figures show a transparent, reflective, or shiny surface, and not surface ornamentation. The broken lines in the figures depict portions of the wearable device that form no part of the claimed design.

1 Claim, 4 Drawing Sheets

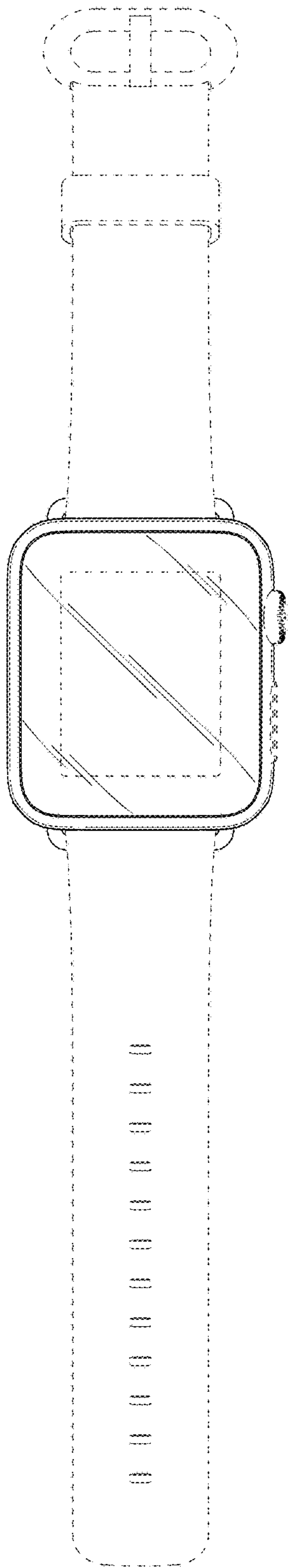


FIG. 1

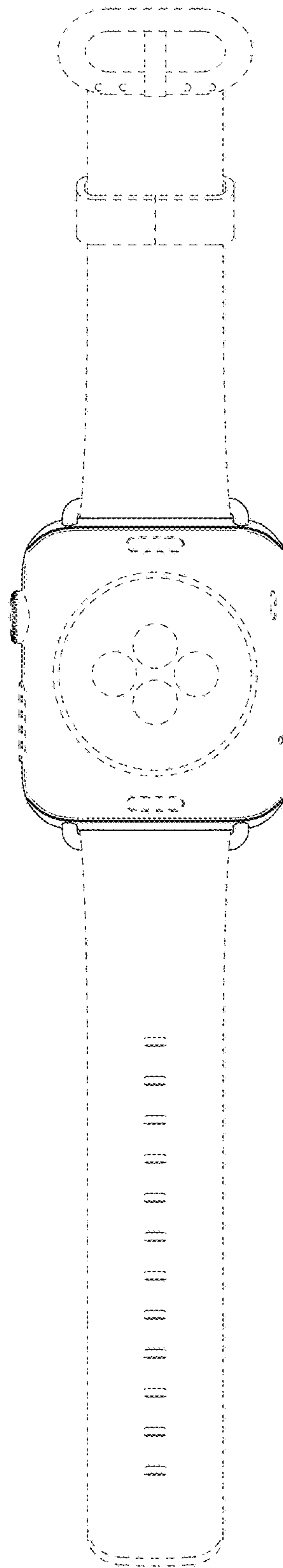


FIG. 2

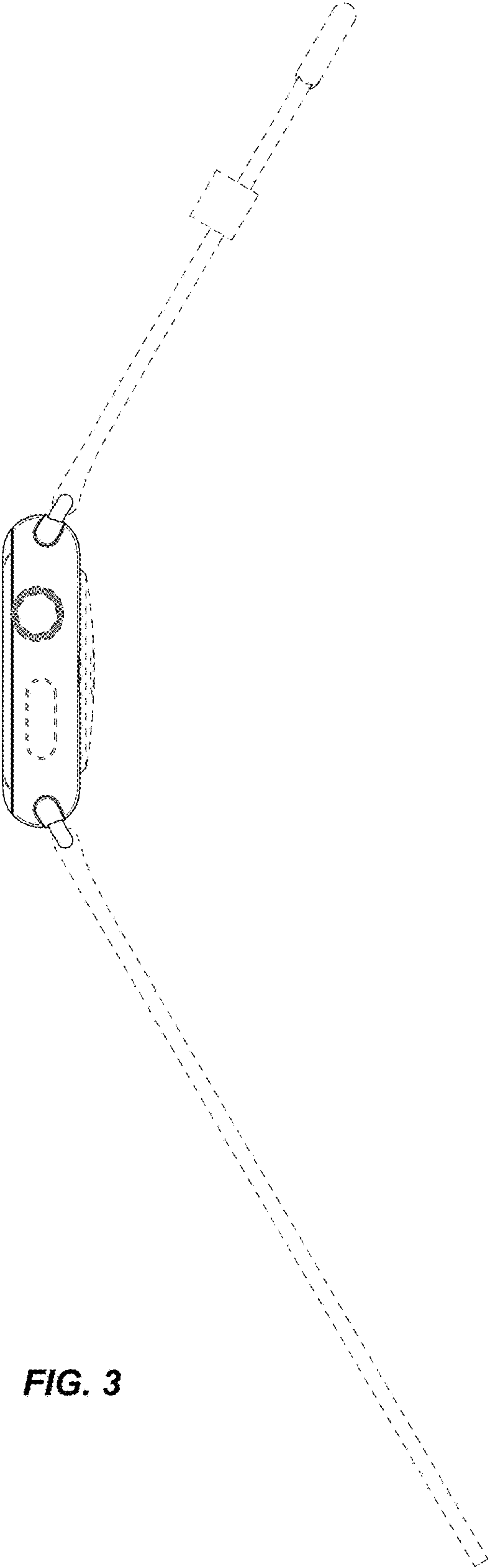


FIG. 3

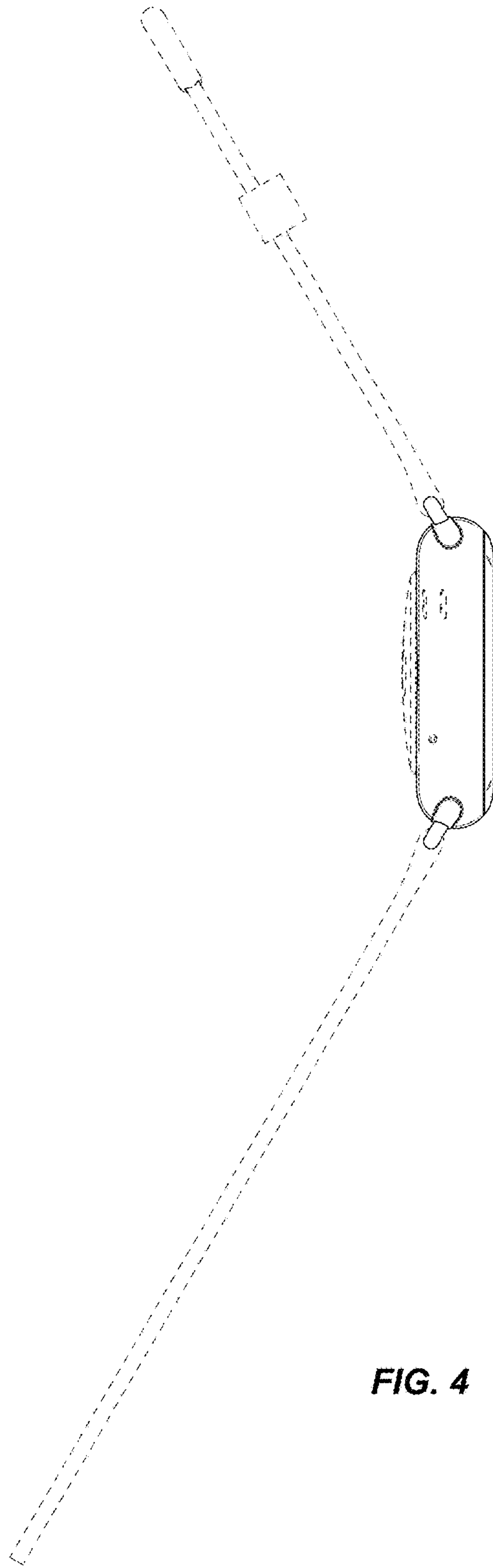


FIG. 4

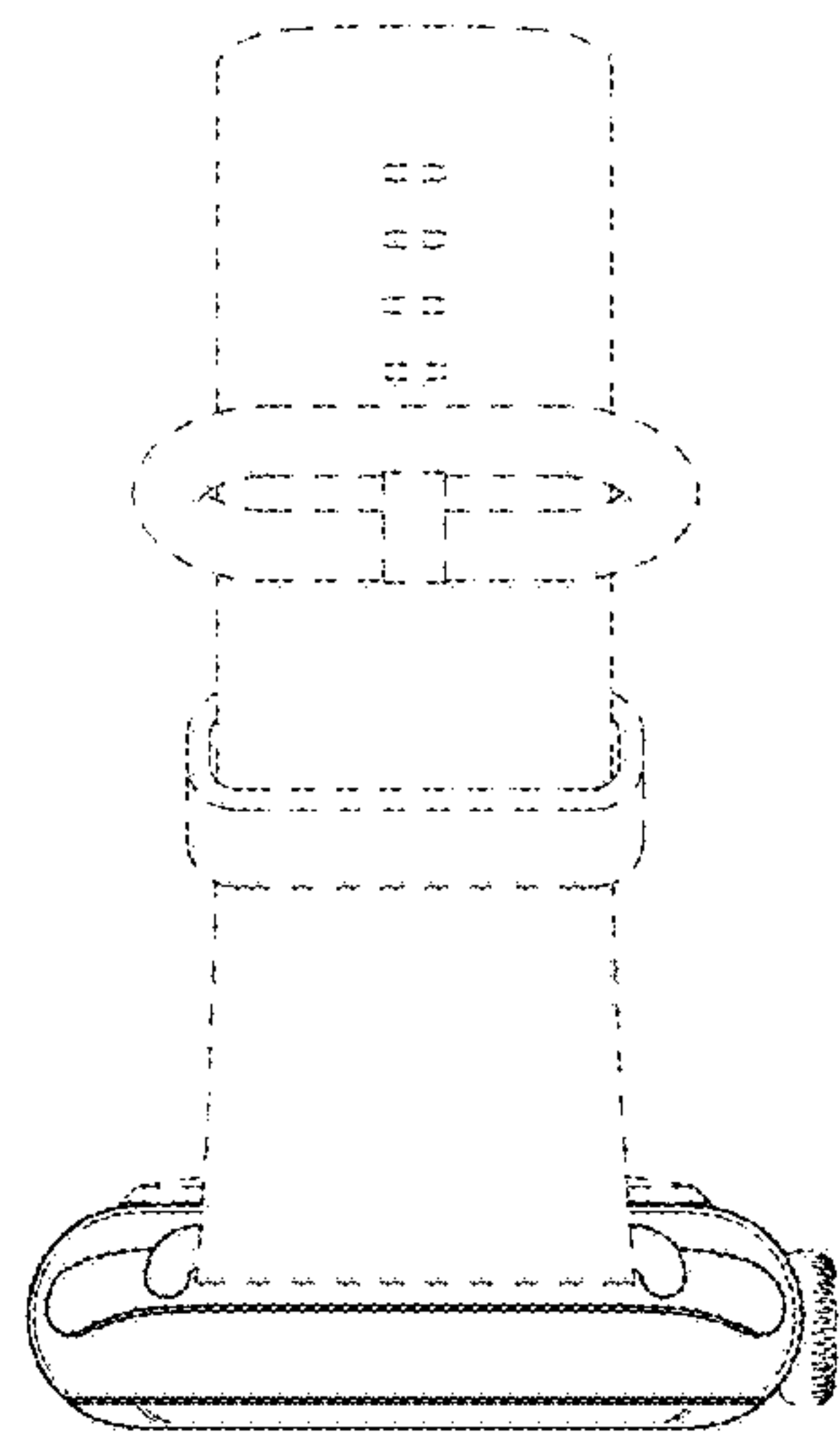


FIG. 5

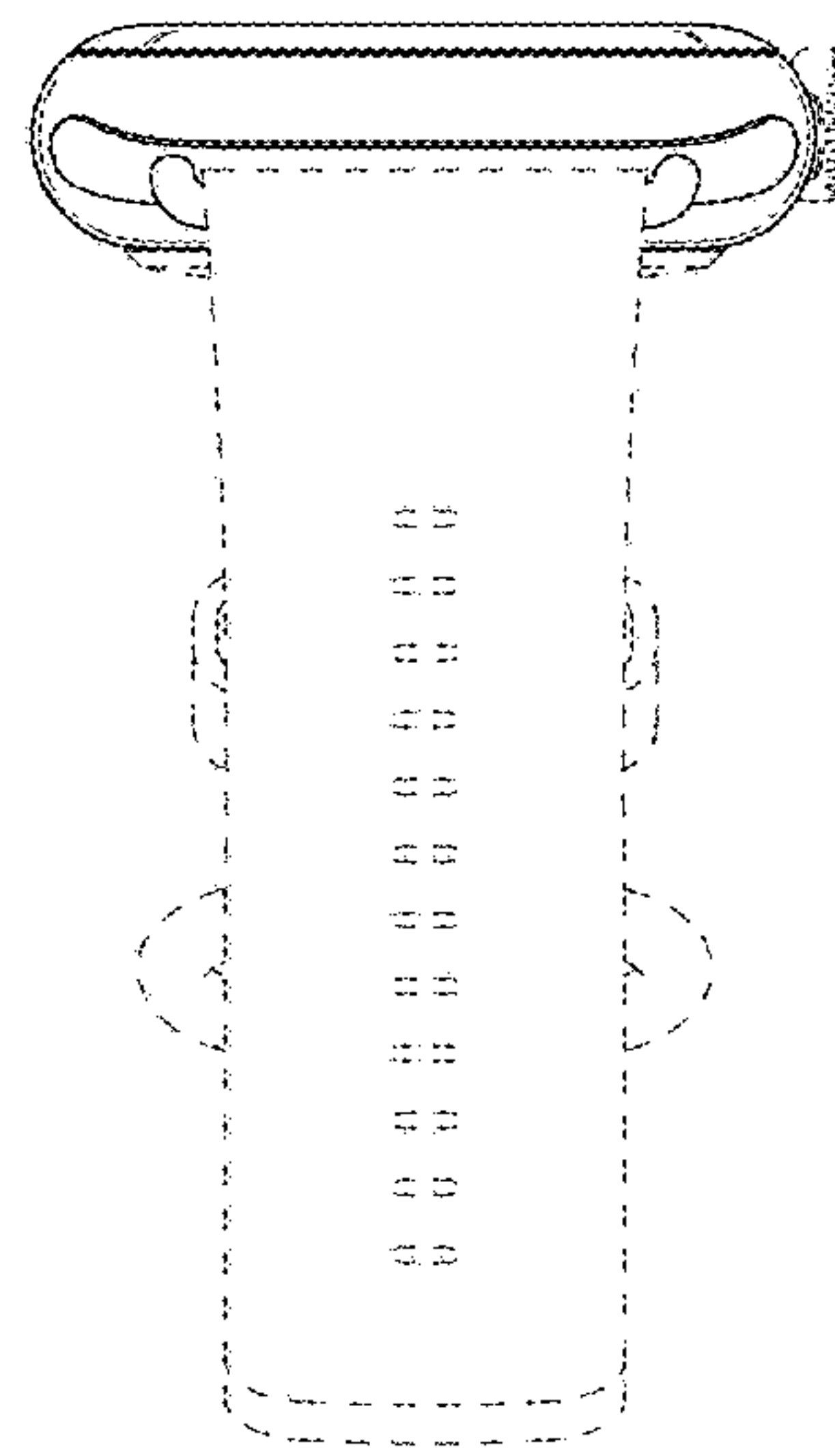


FIG. 6