



US00D795863S

(12) **United States Design Patent** (10) **Patent No.:** **US D795,863 S**
Park et al. (45) **Date of Patent:** **** Aug. 29, 2017**

(54) **WRIST-WORN SMARTPHONE**
(71) Applicant: **LG ELECTRONICS INC.**, Seoul (KR)
(72) Inventors: **Seala Park**, Seoul (KR); **Seongjae Lim**, Seoul (KR); **Woonlee Park**, Seoul (KR)
(73) Assignee: **LG ELECTRONICS INC.**, Seoul (KR)

D594,764 S * 6/2009 Ahlstrom D10/31
D604,643 S * 11/2009 Ahlstrom D10/31
D657,697 S * 4/2012 Lammers-Meis D10/31
D681,482 S * 5/2013 Ramos, Jr. D10/38
D707,571 S * 6/2014 Cerrato D10/38
D726,676 S * 4/2015 Park D10/38
D740,704 S * 10/2015 Park D10/38
D749,965 S * 2/2016 Lutgen D10/126
D753,109 S * 4/2016 Kim D10/38
D773,318 S * 12/2016 Wong D10/32

(**) Term: **15 Years**
(21) Appl. No.: **29/553,688**
(22) Filed: **Feb. 3, 2016**

(30) **Foreign Application Priority Data**
Aug. 4, 2015 (KR) 30-2015-0039360

(51) **LOC (10) Cl.** **14-02**
(52) **U.S. Cl.**
USPC **D14/344**; D10/30; D14/138 R

(58) **Field of Classification Search**
USPC D2/623, 626, 639, 878; D8/88, 356; D10/30-39, 70, 98; D11/3, 87, 93-94, D11/200, 201, 210, 216, 218, 221, D11/230-231; D14/344, 138 R, 144, D14/358; D24/167, 169, 186-187
CPC G06F 1/163; G06F 1/1628; G06F 1/1626; G06F 1/1635; G06F 1/08; G06F 1/10; G06F 1/04; G06F 1/14; G06F 1/3203; A41D 1/002; H04M 1/02; H04M 1/03; H04M 1/04; H04M 1/05; H04M 1/667; Y02B 60/1217; H04B 1/385; H04B 1/3888; G06C 20/10; G06C 20/108; G06C 20/12; G06C 20/145
See application file for complete search history.

(56) **References Cited**
U.S. PATENT DOCUMENTS
D545,697 S * 7/2007 Martin D10/38
D573,900 S * 7/2008 Kuchler D10/32

OTHER PUBLICATIONS

LG G Watch Urbane: Análisis del nuevo SmartWatch (Español), posted Mar. 2, 2015, [retrieved Jan . 9, 2017], Retrieved from Internet, <URL: <https://www.youtube.com/watch?v=ks5hyOgnlZl> >.*

* cited by examiner

Primary Examiner — Barbara Fox
Assistant Examiner — Kristin E Reed
(74) *Attorney, Agent, or Firm* — Birch, Stewart, Kolasch & Birch, LLP

(57) **CLAIM**

The ornamental design for a wrist-worn smartphone, as shown and described.

DESCRIPTION

FIG. 1 is a front, right side, perspective view of a wrist-worn smartphone showing our new design; FIG. 2 is a front view thereof; FIG. 3 is a rear view thereof; FIG. 4 is a left side view thereof; FIG. 5 is a right side view thereof; FIG. 6 is a top view thereof; and, FIG. 7 is a bottom view thereof. The broken lines shown in the figures depict portions of the wrist-worn smartphone and form no part of the claimed design.

1 Claim, 7 Drawing Sheets

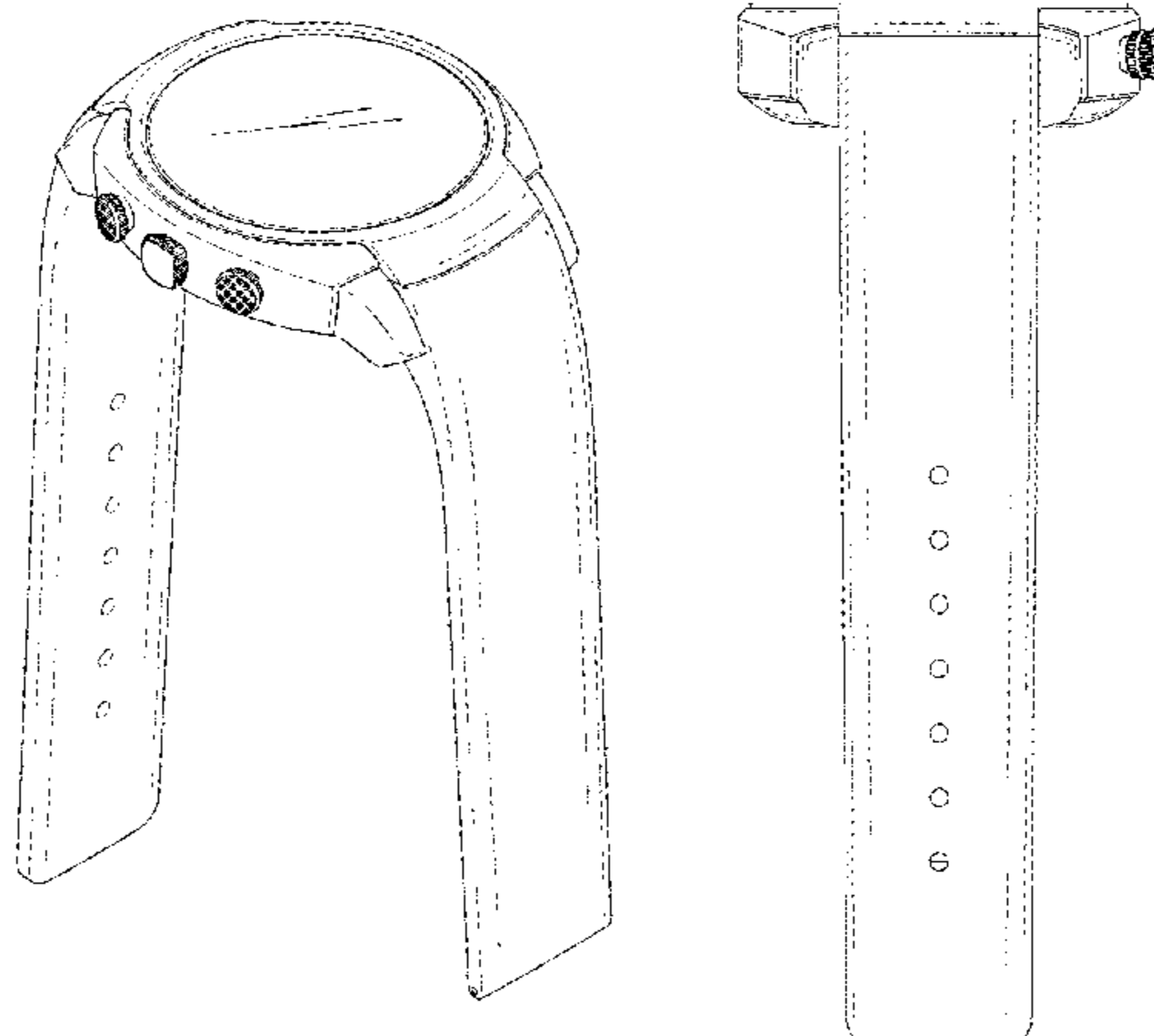


FIG. 1

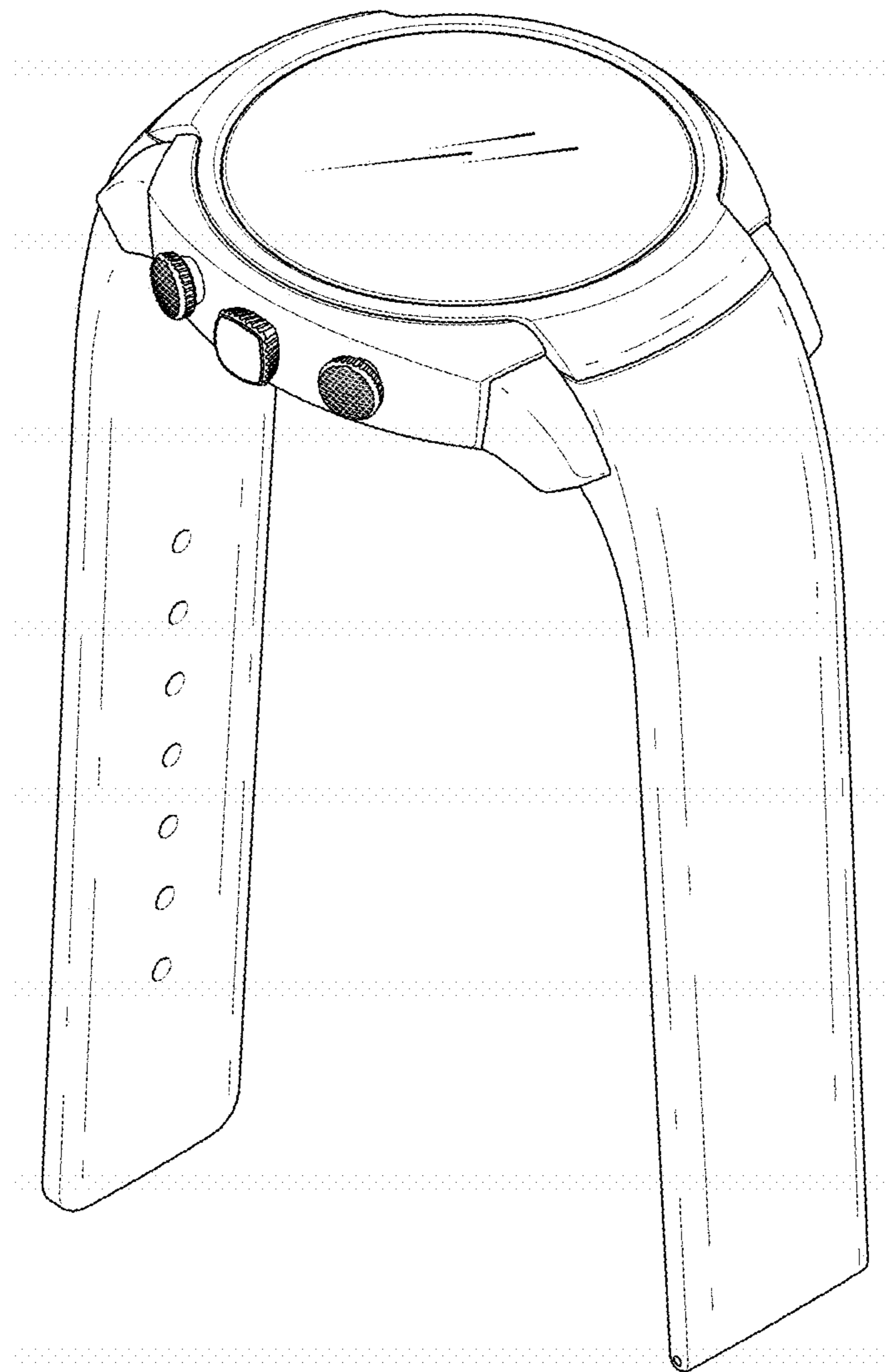


FIG. 2

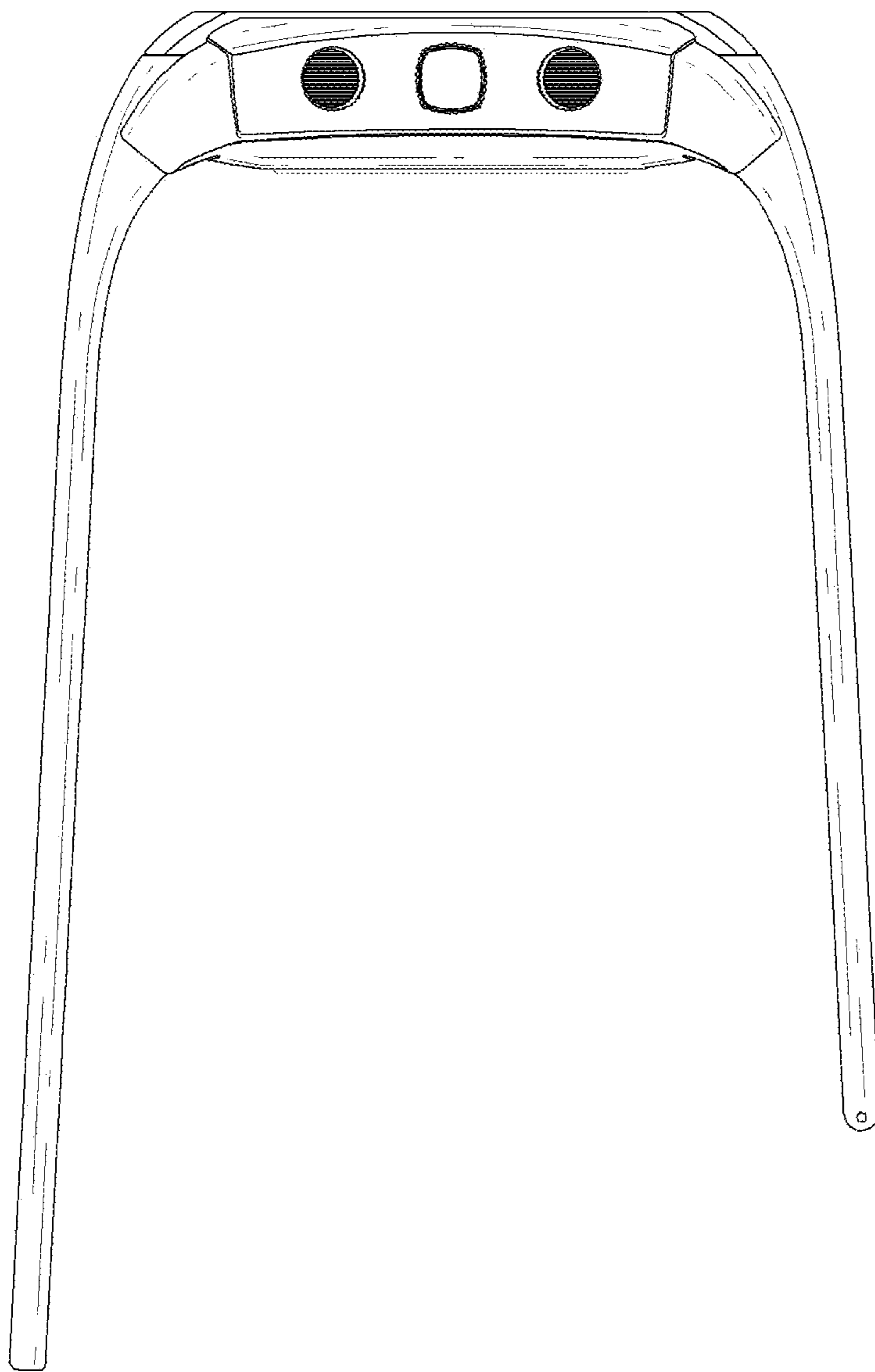


FIG. 3

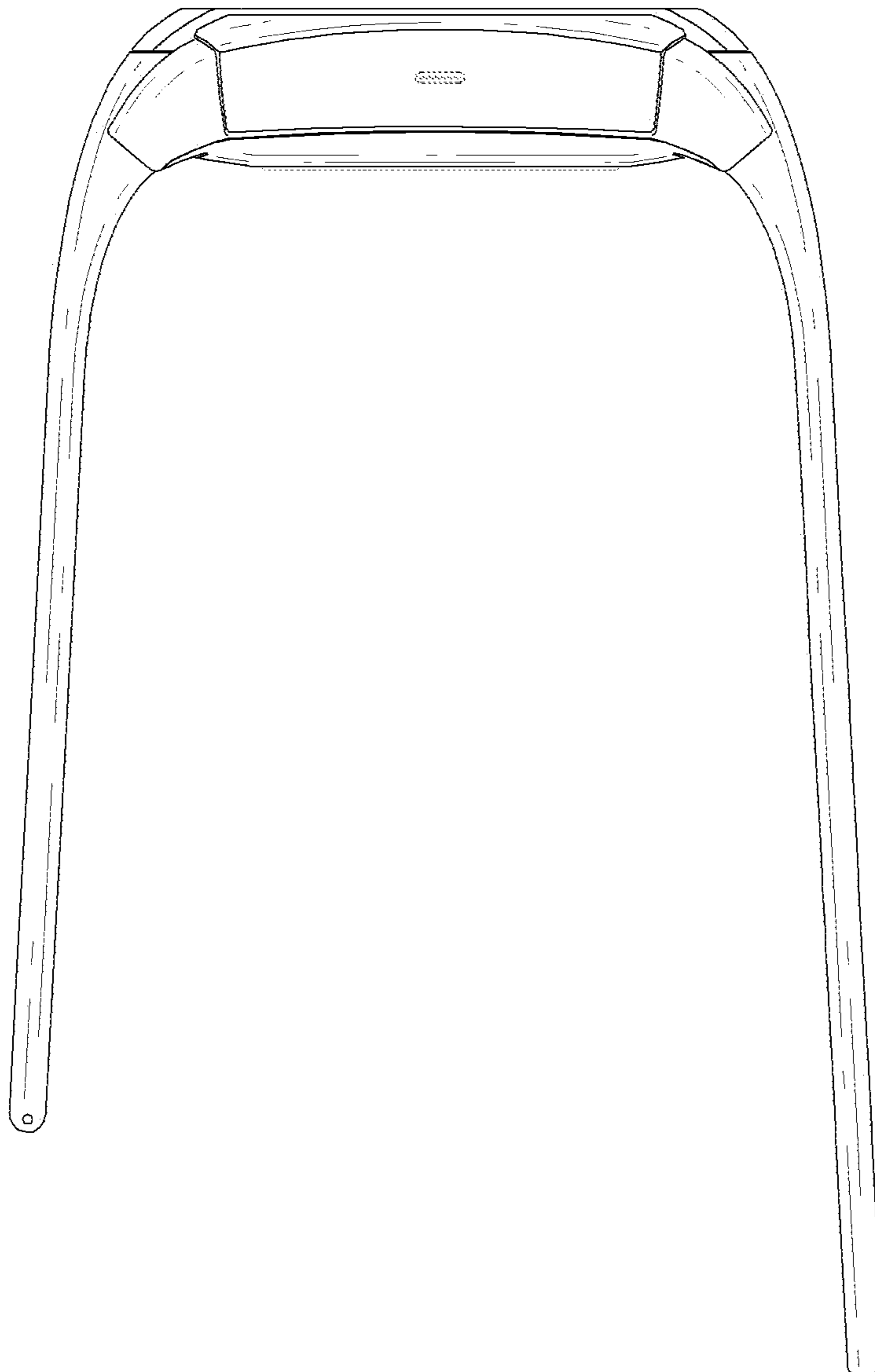


FIG. 4

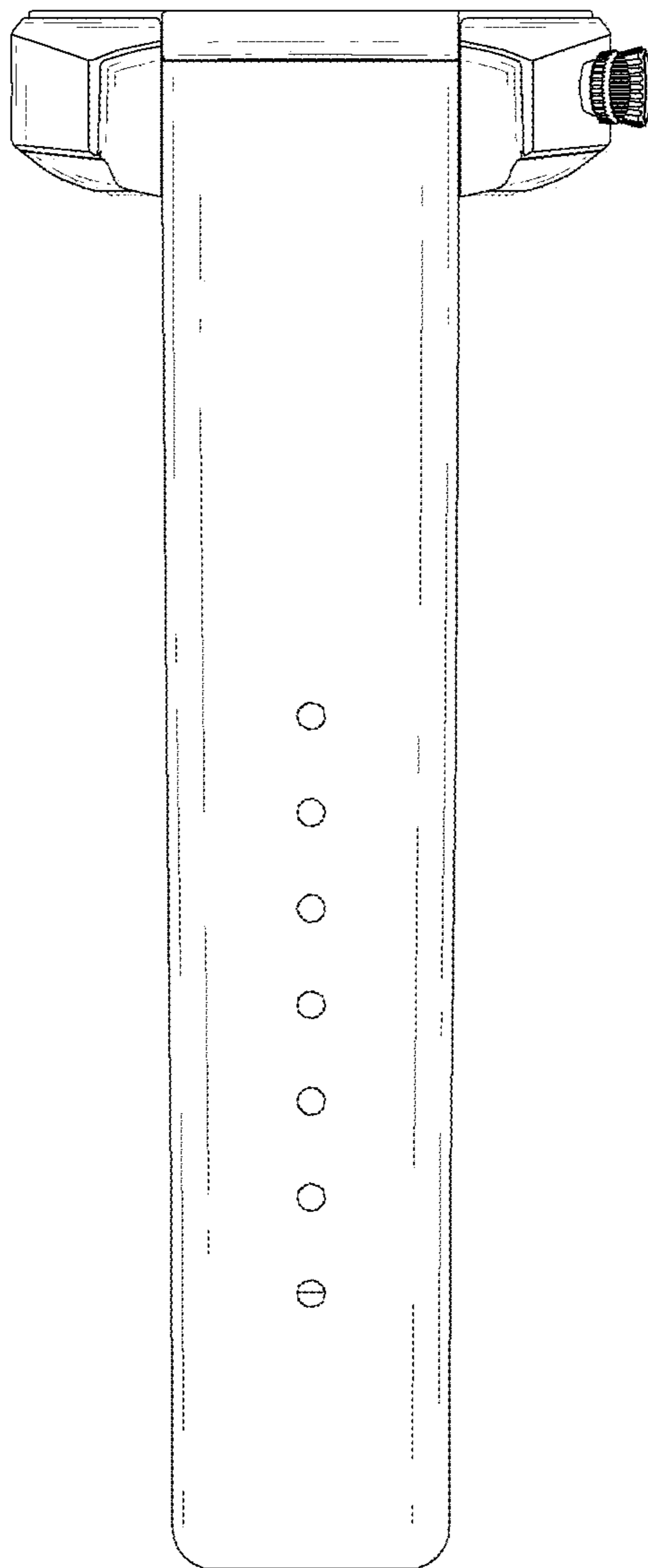


FIG. 5

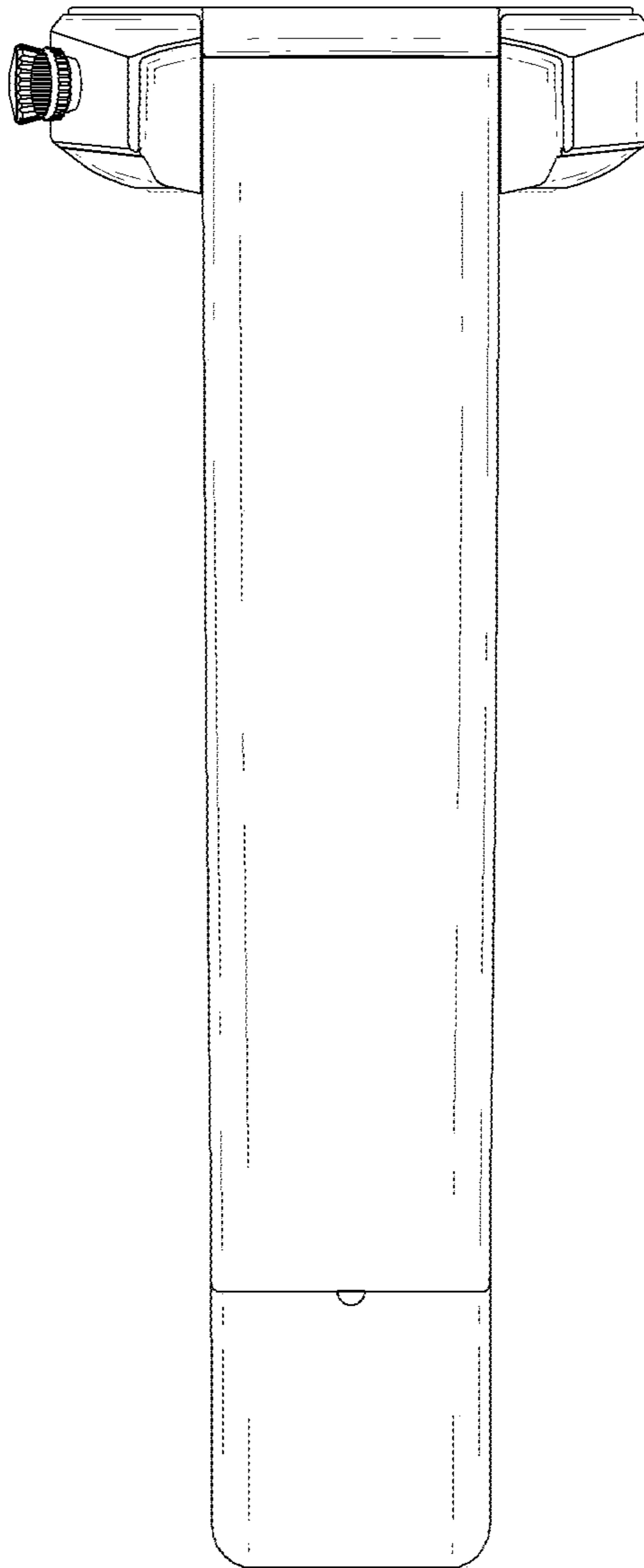


FIG. 6

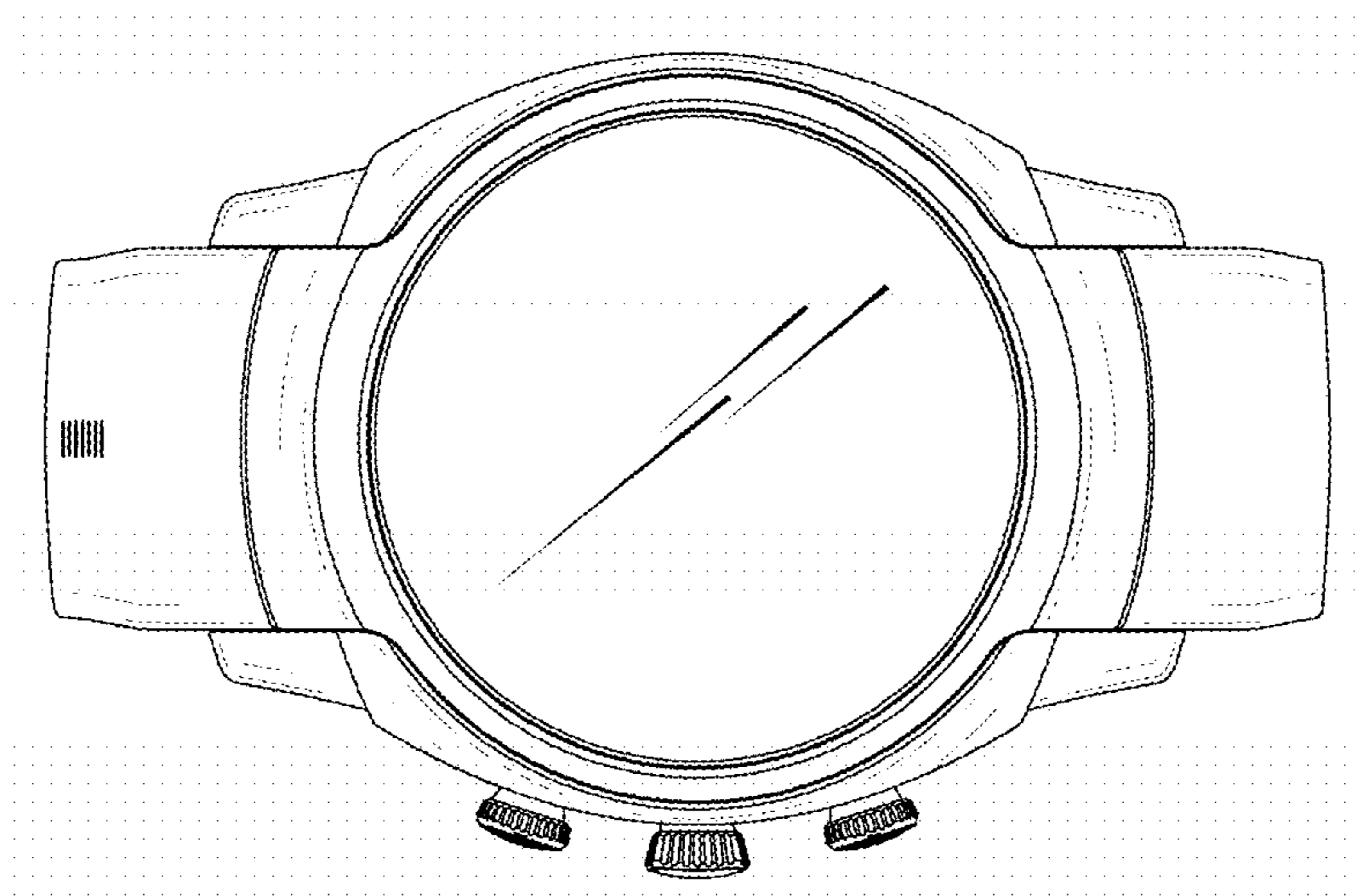


FIG. 7

