



US00D795862S

(12) **United States Design Patent**  
**Watanabe**

(10) **Patent No.:** **US D795,862 S**

(45) **Date of Patent:** **\*\* Aug. 29, 2017**

(54) **PORTABLE COMPUTER**

(71) Applicant: **Panasonic Intellectual Property Management Co., Ltd., Osaka (JP)**

(72) Inventor: **Seiichi Watanabe, Kyoto (JP)**

(73) Assignee: **Panasonic Intellectual Property Management Co., Ltd., Osaka (JP)**

(\*\*) Term: **15 Years**

(21) Appl. No.: **29/553,442**

(22) Filed: **Feb. 1, 2016**

(30) **Foreign Application Priority Data**

Dec. 18, 2015 (JP) ..... 2015-028198

(51) **LOC (10) Cl.** ..... **14-02**

(52) **U.S. Cl.**  
USPC ..... **D14/341**

(58) **Field of Classification Search**  
USPC ..... D14/341-347, 137, 138 R, 138 AA, D14/138 AB, 138 C, 138 G, 496, 203.1, D14/203.3, 203.4, 203.7, 129, 130, 147, D14/218, 247, 248, 250, 385, 388, 389, D14/315-318, 420, 426, 439; D21/329, D21/330; D10/50, 65, 104.1  
CPC . A63H 33/3016; G06F 1/1613; G06F 1/1647; G06F 1/1641; G06F 3/04883; G06F 3/0486; G06F 3/04847; G06F 3/04845; G06F 3/0484; H04M 1/0279; H04M 1/0281; H04M 1/0283  
See application file for complete search history.

(56) **References Cited**

**U.S. PATENT DOCUMENTS**

D273,864 S \* 5/1984 Eckmann ..... D14/137  
D313,024 S \* 12/1990 Richards ..... D14/137  
D364,103 S \* 11/1995 Stievenart ..... D10/50

D413,073 S \* 8/1999 Brechbill ..... D10/50  
D442,598 S \* 5/2001 Wallace ..... D14/436  
D502,652 S \* 3/2005 Stekelenburg ..... D10/50  
D595,703 S \* 7/2009 Ahlgren ..... D14/240  
D634,743 S \* 3/2011 Kang ..... D14/341  
D648,641 S \* 11/2011 Wallaert ..... D10/49  
D664,539 S \* 7/2012 Massaro ..... D14/327  
D669,060 S \* 10/2012 Huang ..... D14/240  
D676,443 S \* 2/2013 Canizares ..... D14/341  
8,671,498 B2 \* 3/2014 Ferlito ..... A47L 13/10  
15/145  
D714,782 S \* 10/2014 Ohshima ..... D14/341  
D738,360 S \* 9/2015 Papsen ..... D14/240  
D740,266 S \* 10/2015 Kim ..... D14/248  
D751,063 S \* 3/2016 Lin ..... D14/341  
D762,604 S \* 8/2016 Fitch ..... D14/138 G  
D767,546 S \* 9/2016 Kwak ..... D14/240

(Continued)

*Primary Examiner* — Barbara Fox

*Assistant Examiner* — Dana K Weiland

(74) *Attorney, Agent, or Firm* — Panasonic IP Management; Kerry S. Culpepper

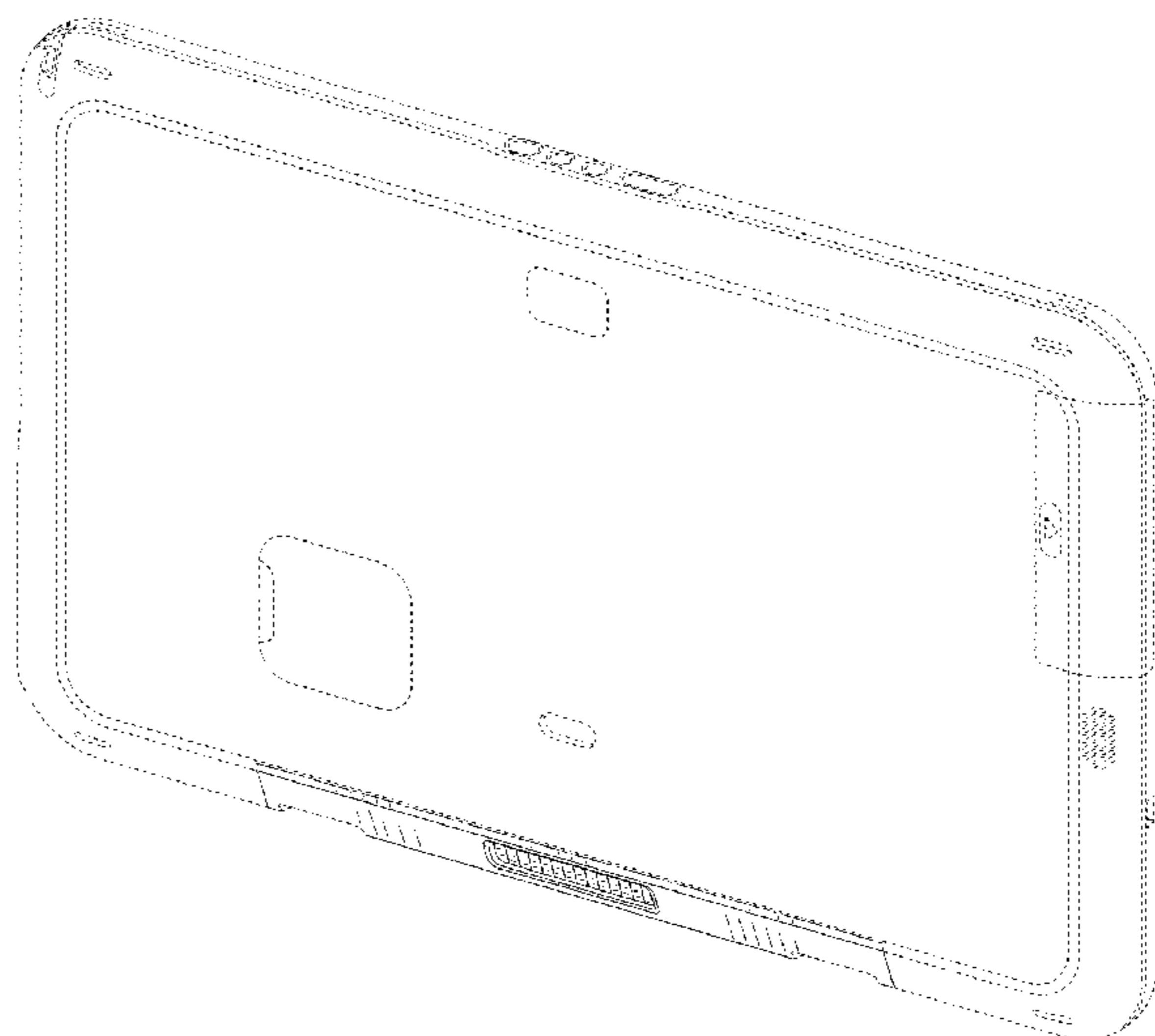
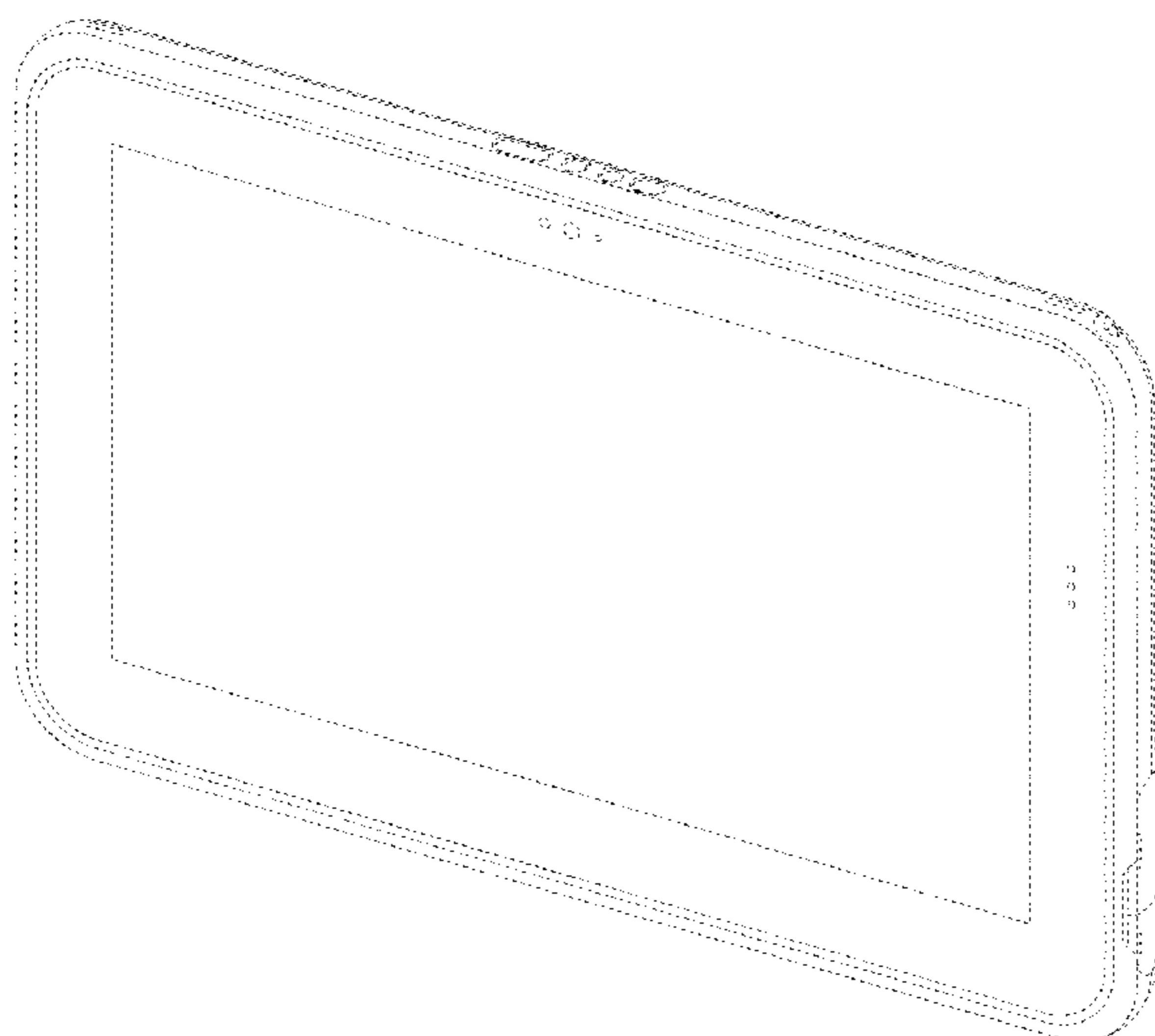
(57) **CLAIM**

I claim the ornamental design for a portable computer, as shown and described.

**DESCRIPTION**

FIG. 1 is a front perspective view of a portable computer of the present invention;  
FIG. 2 is a rear perspective view thereof;  
FIG. 3 is a front view thereof;  
FIG. 4 is a rear view thereof;  
FIG. 5 is a bottom view thereof; and,  
FIG. 6 is a cross-sectional view taken along the line 6-6 in FIG. 3 with the internal parts being omitted.  
The broken lines shown in the drawings depict portions of the portable Computer. The unevenly broken lines in the drawings define the limits of the claimed design. The broken lines form no part of the claimed design.

**1 Claim, 6 Drawing Sheets**



(56)

**References Cited**

U.S. PATENT DOCUMENTS

D775,622 S \* 1/2017 Fu ..... D14/307  
D781,284 S \* 3/2017 Suzuki ..... D14/341  
D784,980 S \* 4/2017 Lin ..... D14/341

\* cited by examiner

FIG. 1

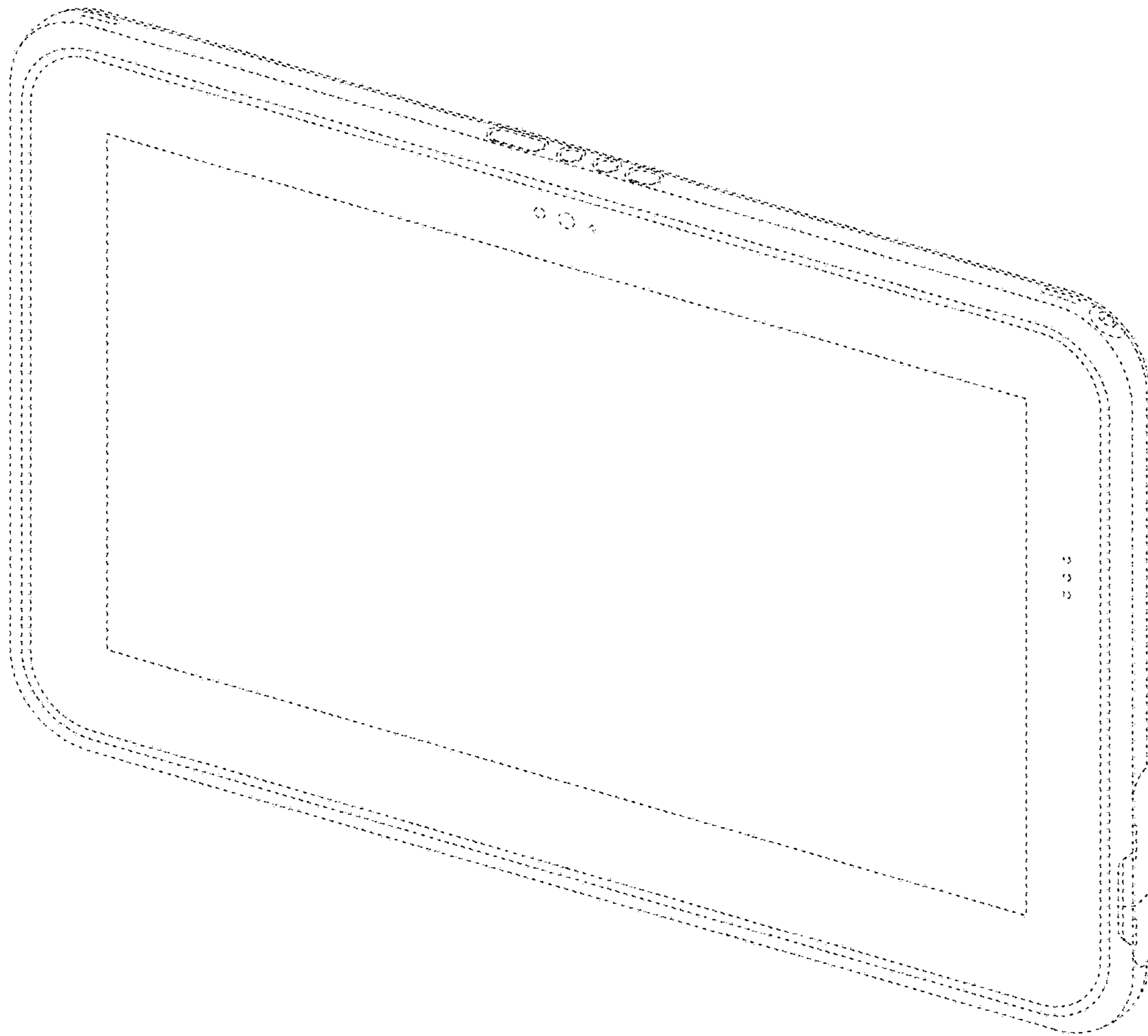


FIG. 2

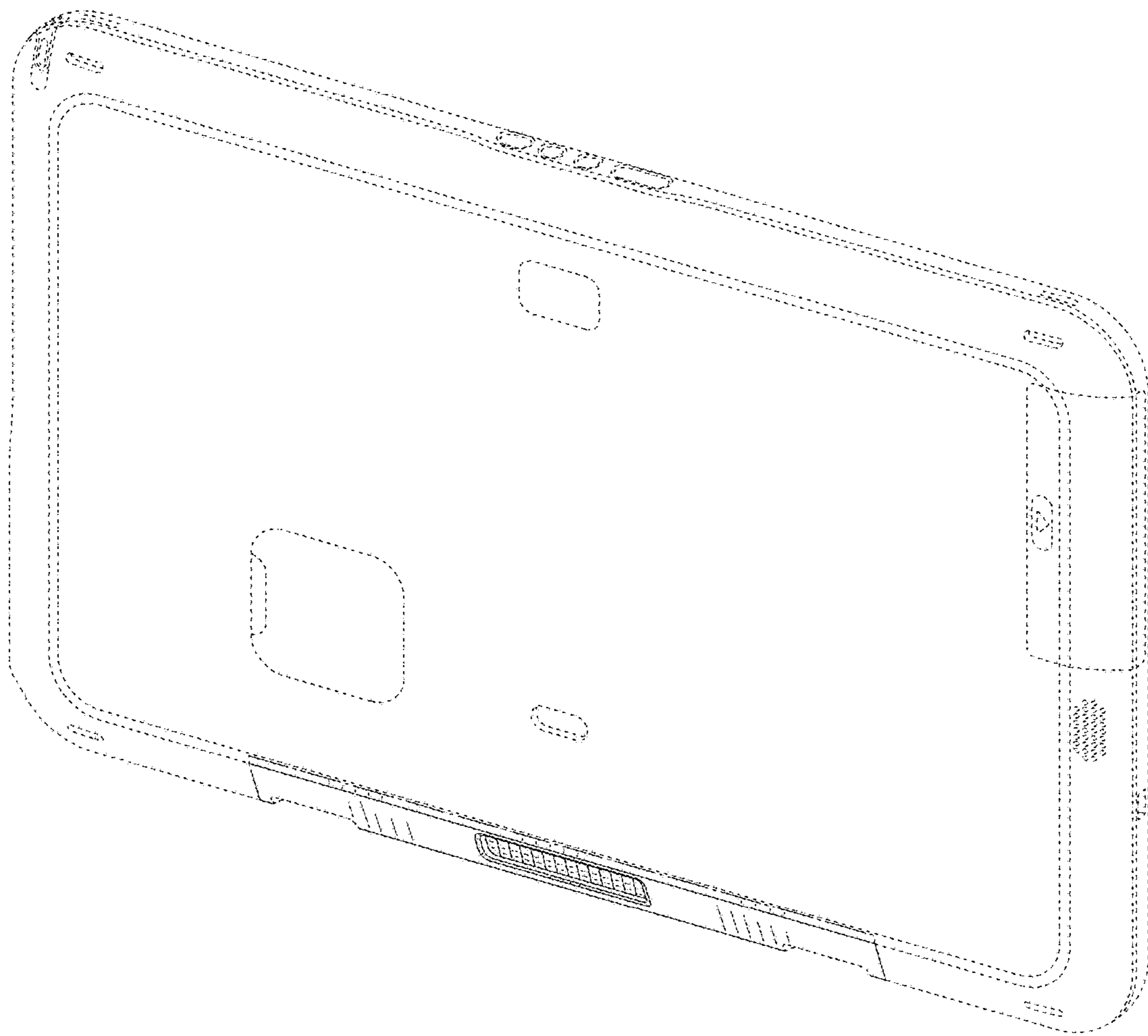


FIG. 3

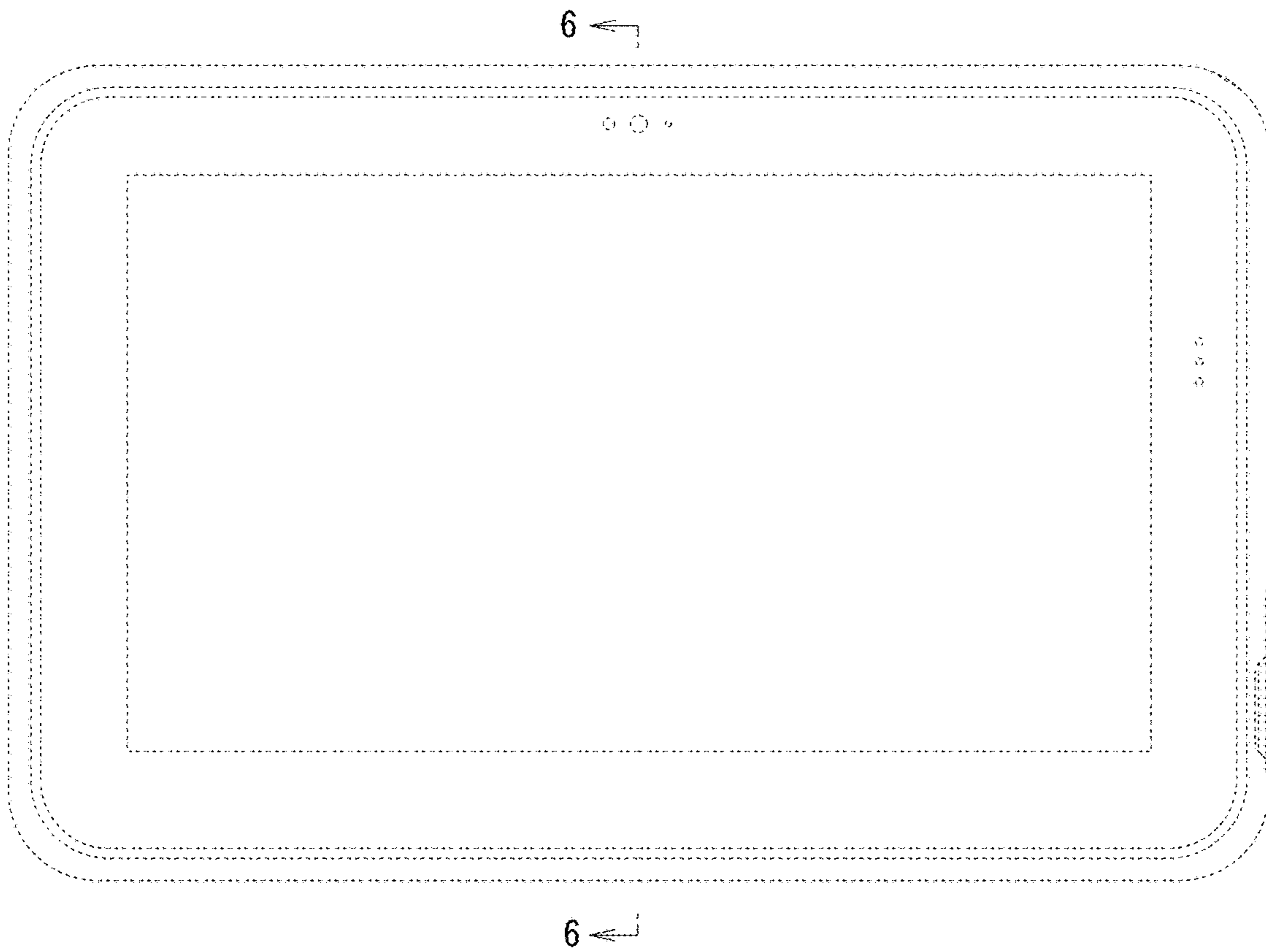


FIG. 4

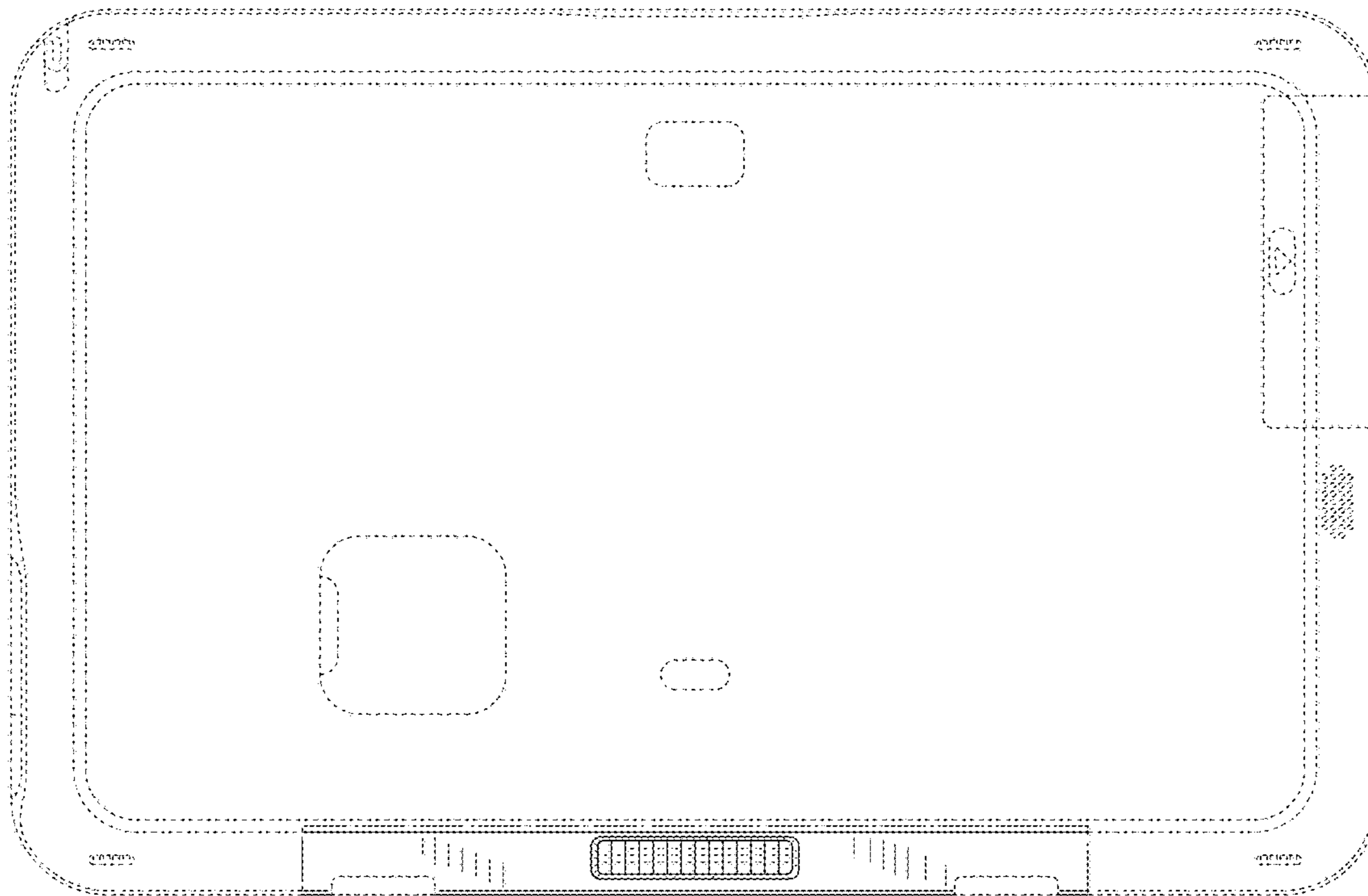


FIG. 5

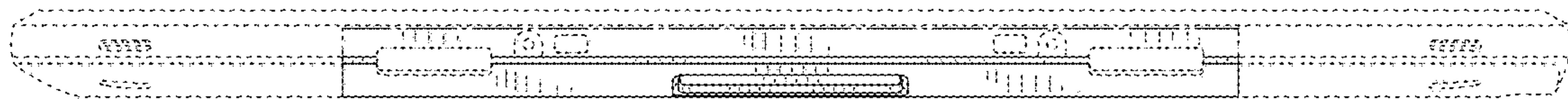


FIG. 6

