



US00D795860S

(12) **United States Design Patent** (10) **Patent No.:** **US D795,860 S**  
**Rak et al.** (45) **Date of Patent:** **\*\* Aug. 29, 2017**

(54) **HOUSING FOR A COMPUTING DEVICE**

(56) **References Cited**

(71) Applicant: **Tactus Technology, Inc.**, Fremont, CA (US)

U.S. PATENT DOCUMENTS

(72) Inventors: **Roman Rak**, Fremont, CA (US); **Mario Garcia**, Fremont, CA (US); **Curtis Ray**, Fremont, CA (US); **Forrest Grinstead**, Fremont, CA (US); **Katja Piililä**, Fremont, CA (US); **Kenny Woo**, Fremont, CA (US); **Michael Stanley Roberts**, Fremont, CA (US); **Hanna marie Bossmark**, Fremont, CA (US); **Gregorie Vandebussche**, Fremont, CA (US); **Christopher Kuh**, Fremont, CA (US)

D458,252 S *	6/2002	Palm	.....	D14/343
D488,469 S *	4/2004	Batsikas	.....	D14/341
D490,810 S *	6/2004	Huang	.....	D14/374
D492,684 S *	7/2004	Ozolins	.....	D14/374
6,788,527 B*	9/2004	Doczy	.....	G06F 1/1626 312/208.1

(Continued)

*Primary Examiner* — Barbara Fox  
*Assistant Examiner* — Dana K Weiland  
(74) *Attorney, Agent, or Firm* — Jeffrey Schox;  
Padowitz Alce

(73) Assignee: **Tactus Technology, Inc.**, Hayward, CA (US)

(57) **CLAIM**

We claim the ornamental design for a housing for a computing device, as shown and described.

(\*\*) Term: **14 Years**

**DESCRIPTION**

(21) Appl. No.: **29/510,629**

FIG. 1 is a back view of the housing for a computing device showing the new design;  
FIG. 2 is the back-left perspective view;  
FIG. 3 is the back-right perspective view thereof;  
FIG. 4 is the front view thereof;  
FIG. 5 is the top-right perspective view thereof;  
FIG. 6 is the bottom-left perspective view thereof; and  
FIG. 7 is the top view thereof;  
FIG. 8 is the bottom view thereof;  
FIG. 9 is the left-side view thereof;  
FIG. 10 is the right-side view thereof;  
FIG. 11 is another back-right perspective view in an alternative position; and,  
FIG. 12 is another back-right perspective view in an alternative position.

(22) Filed: **Dec. 1, 2014**

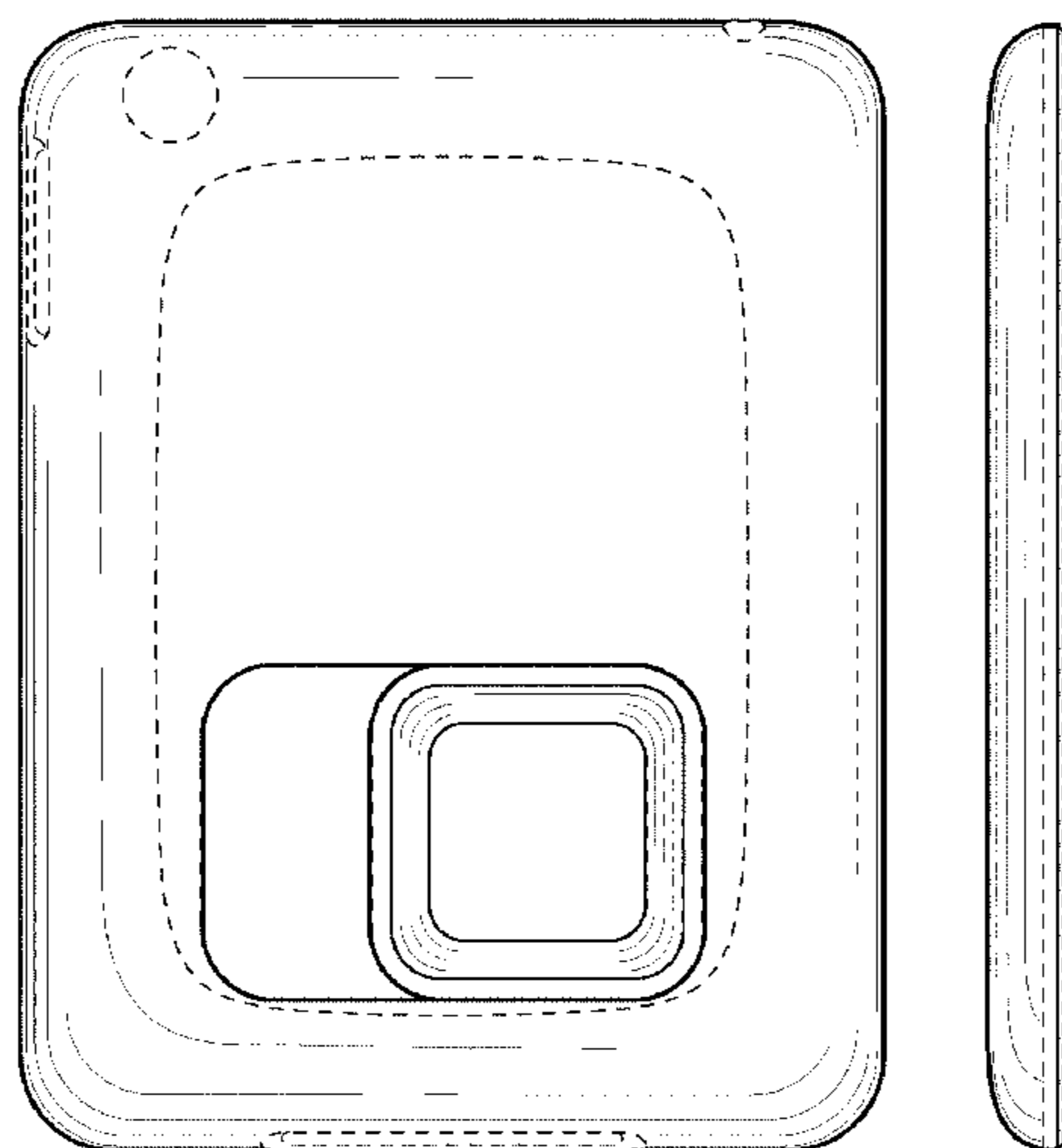
(51) **LOC (10) Cl.** ..... **14-02**

(52) **U.S. Cl.**  
USPC ..... **D14/341**

(58) **Field of Classification Search**  
USPC ..... D14/341–347, 137, 138 R, 138 AA, D14/138 AB, 138 C, 138 G, 203.1, 203.3, D14/203.4, 203.7, 129, 130, 147, 218, D14/247, 248, 250, 332, 388, 389, D14/315–318, 420, 426, 429, 439, 440, D14/489, 492, 496; D10/50, 65, 104.1; D18/6; D21/329, 330; D6/308, 310  
CPC .... G06F 1/1613; G06F 1/1647; G06F 1/1641; G06F 3/04883; G06F 3/0486; G06F 3/04847; G06F 3/04845; G06F 3/04817; G06F 3/0484; H04M 1/0279; H04M 1/0281; H04M 1/0283; A63H 33/3016  
See application file for complete search history.

The broken lines in the figures show portions of the housing for a computing device, which form no part of the claimed design.

**1 Claim, 5 Drawing Sheets**



(56)

**References Cited**

U.S. PATENT DOCUMENTS

D528,527	S *	9/2006	Lee	.....	D14/138 AB
D534,517	S *	1/2007	Cho	.....	D14/138 AD
D536,962	S *	2/2007	Tanner	.....	D9/422
D569,830	S *	5/2008	Kwak	.....	D14/138 AD
D602,017	S *	10/2009	Andre	.....	D14/203.7
D617,792	S *	6/2010	Andre	.....	D14/341
D619,361	S *	7/2010	Andre	.....	D3/269
D622,255	S *	8/2010	Lee	.....	D14/138 AB
D638,014	S *	5/2011	Chong	.....	D14/336
D645,435	S *	9/2011	Kim	.....	D14/138 G
D671,940	S *	12/2012	Kim	.....	D14/130
D675,198	S *	1/2013	Andre	.....	D14/250
D693,341	S *	11/2013	Akana	.....	D14/341
D695,735	S *	12/2013	Kitchen	.....	D14/341
D697,064	S *	1/2014	Chen	.....	D14/336
D722,049	S *	2/2015	Moradian	.....	D14/341
D724,579	S *	3/2015	Moradian	.....	D14/341
D737,270	S *	8/2015	Young	.....	D14/341
2003/0125079	A1 *	7/2003	Park	.....	H04M 1/0218 455/556.1
2004/0041504	A1 *	3/2004	Ozolins	.....	G02F 1/1333 313/110
2016/0106190	A1 *	4/2016	Song	.....	A45C 11/00 361/679.3

\* cited by examiner

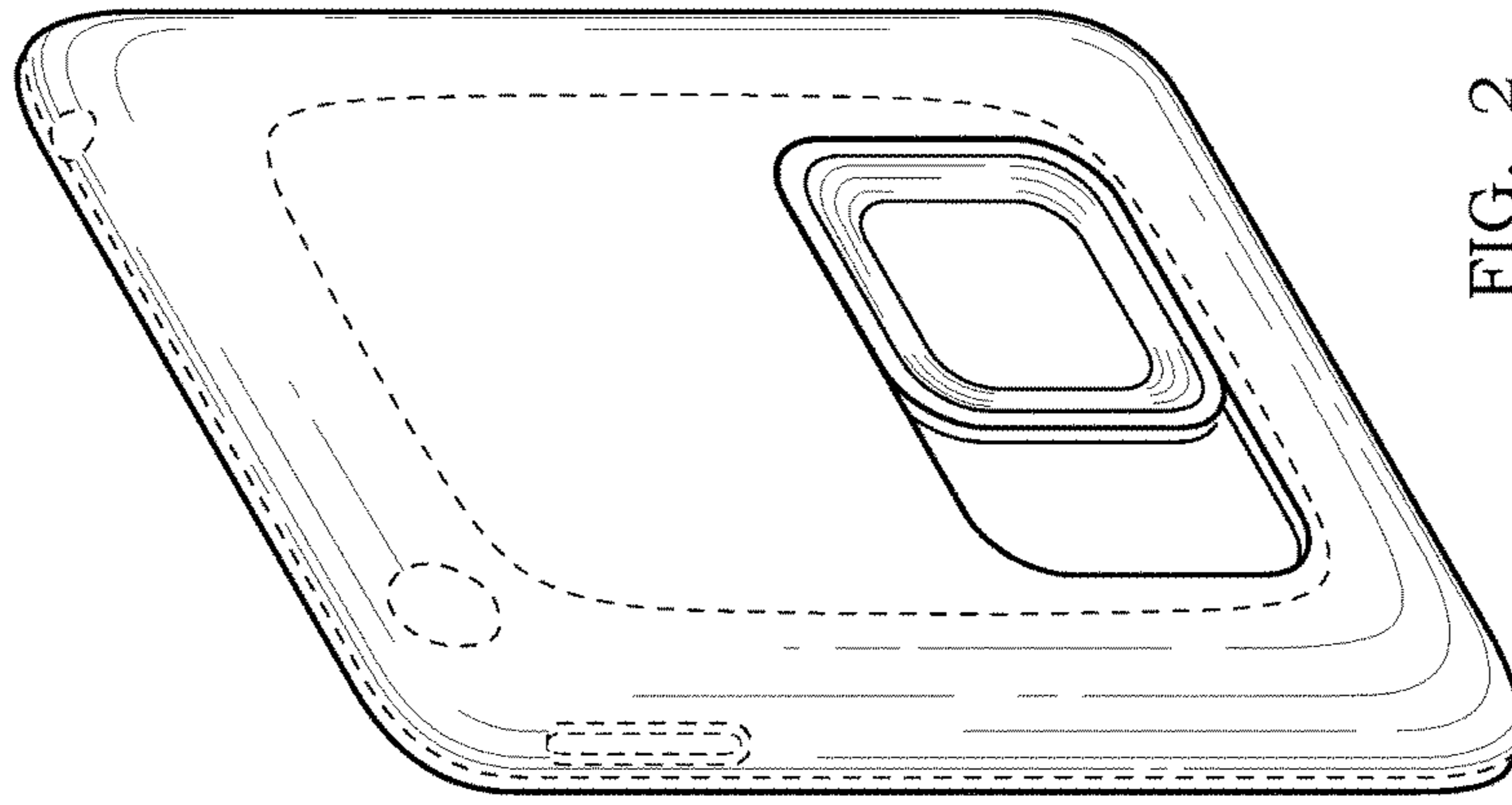


FIG. 2

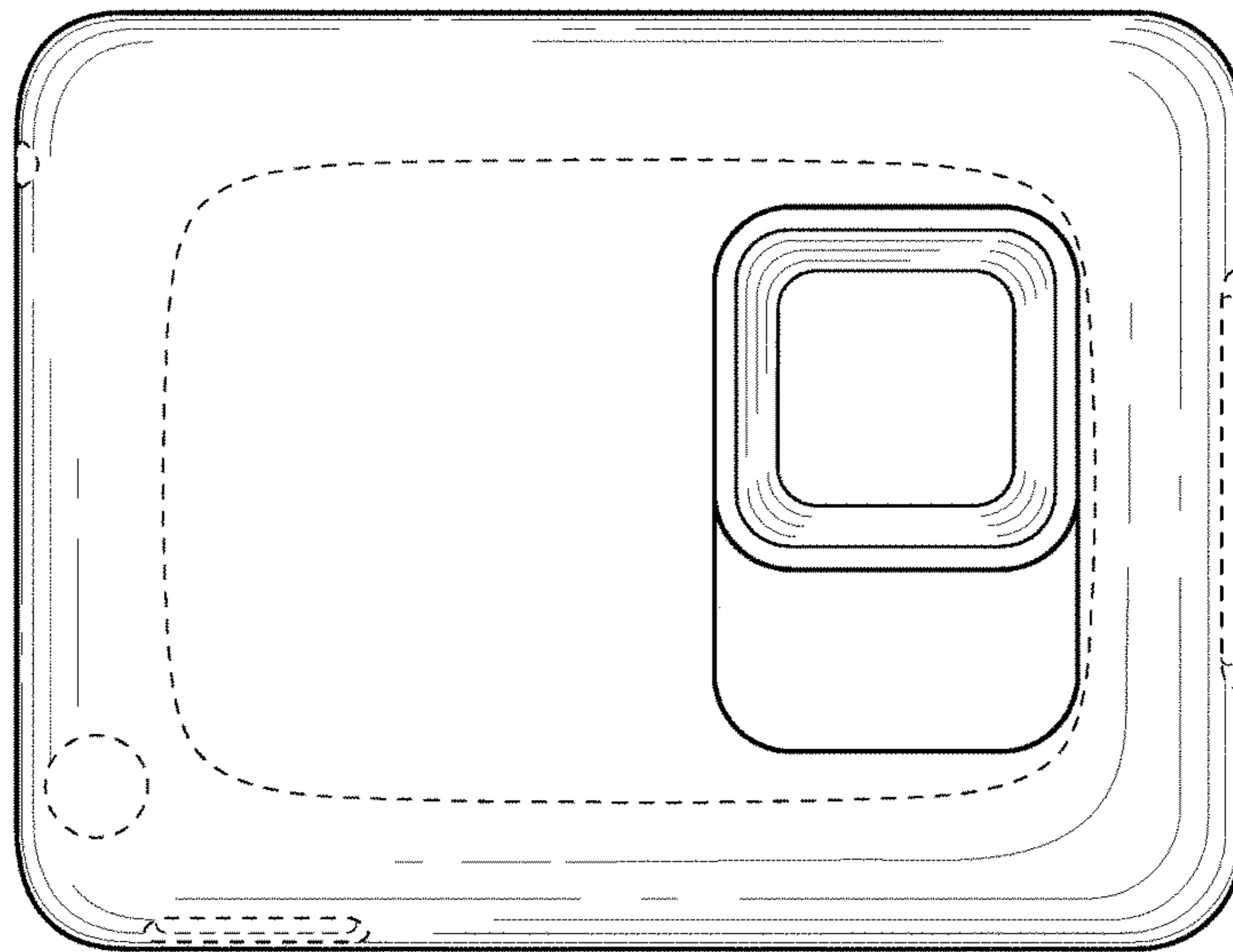


FIG. 1

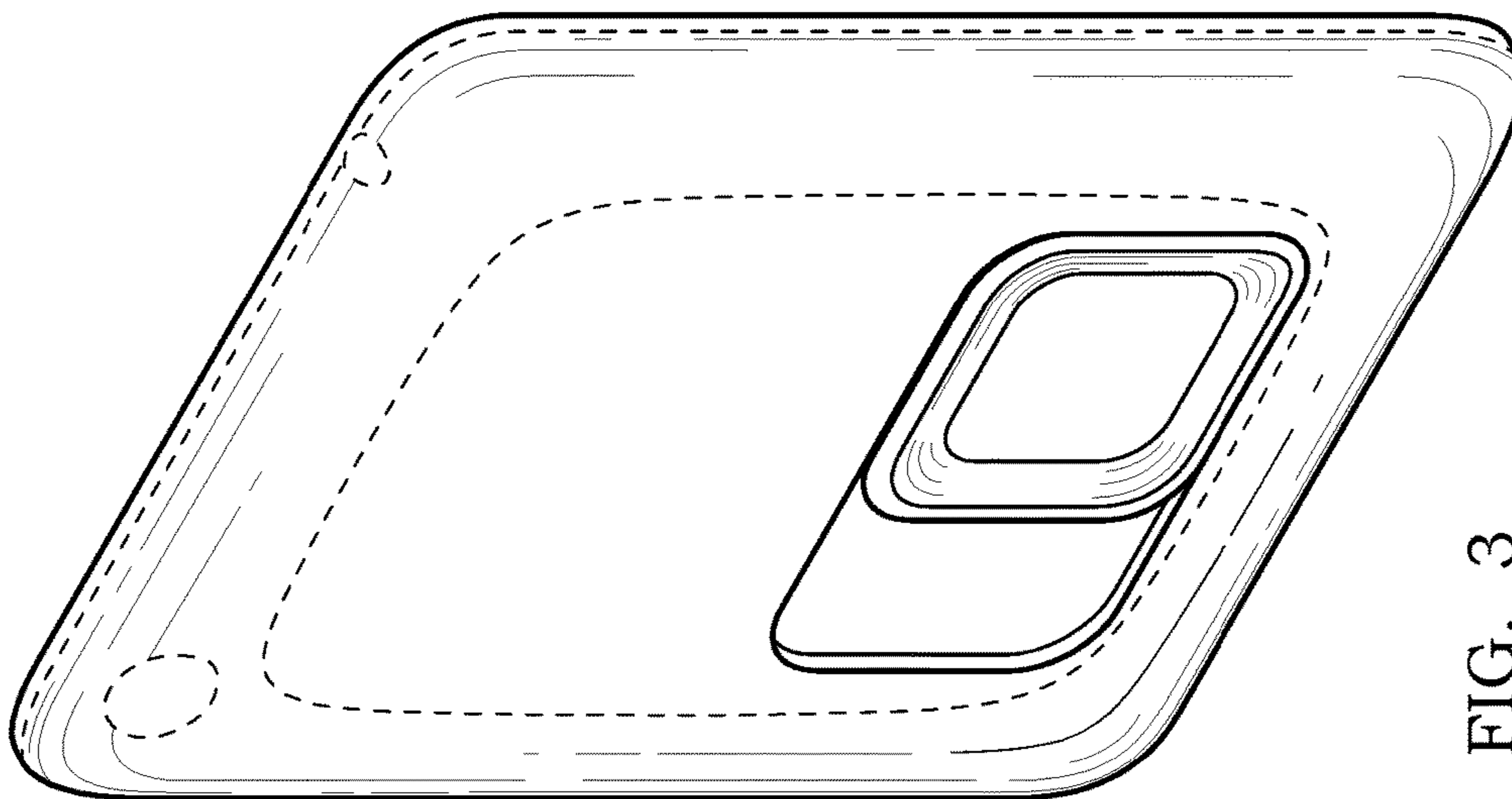


FIG. 3

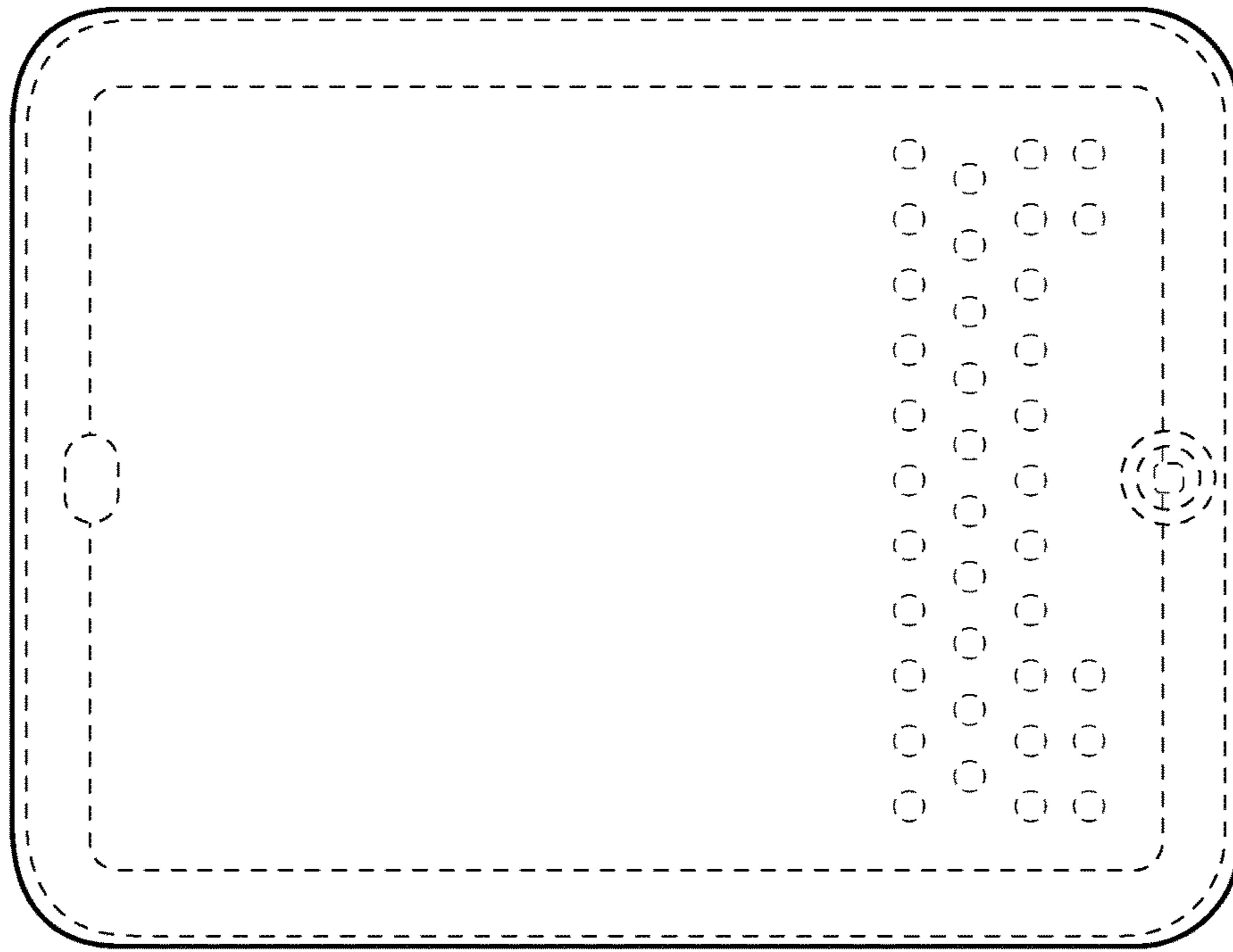


FIG. 4

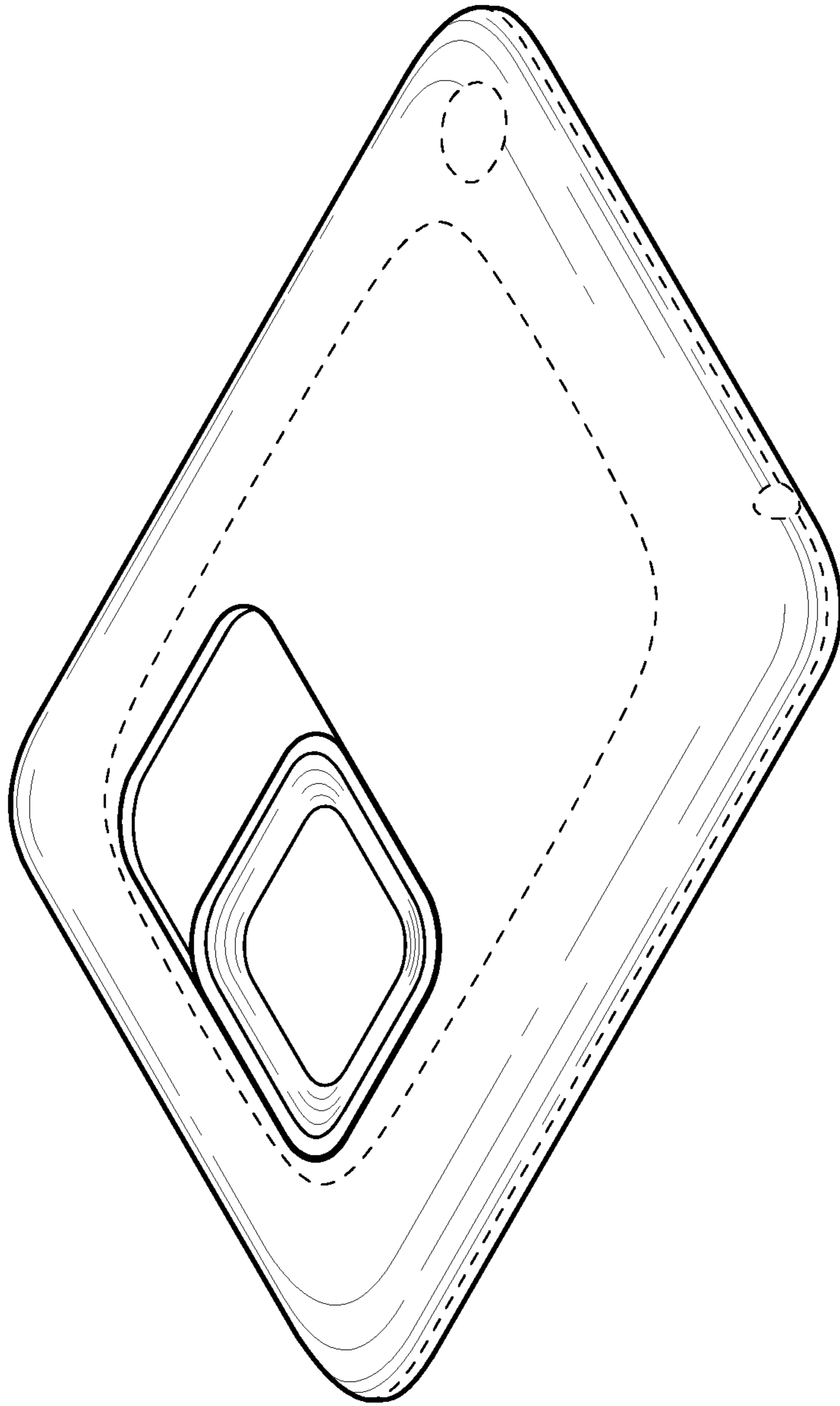


FIG. 5

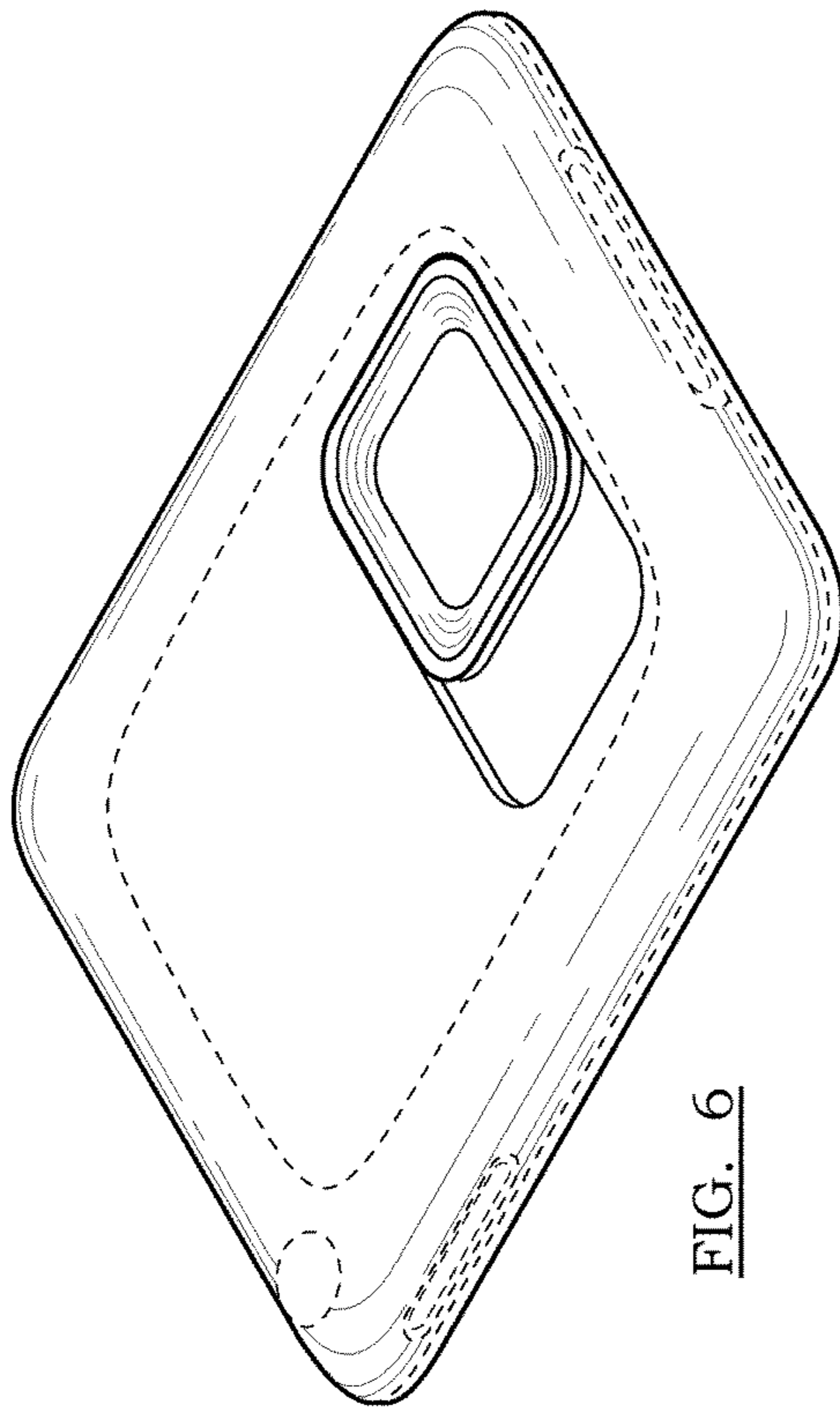


FIG. 6

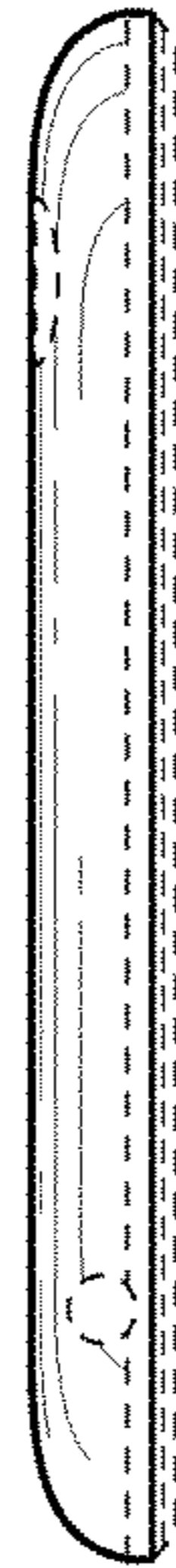


FIG. 7

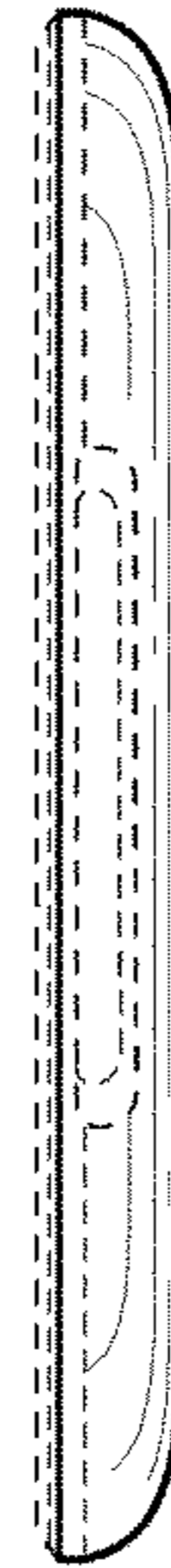


FIG. 8



FIG. 9

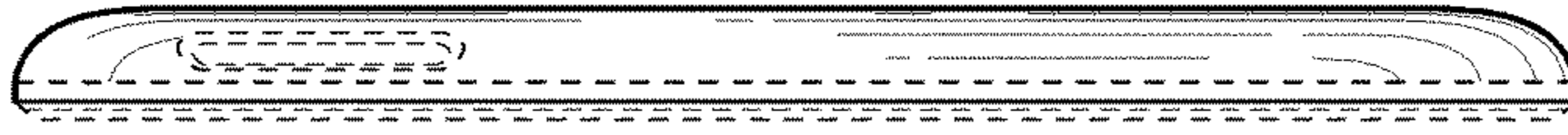


FIG. 10

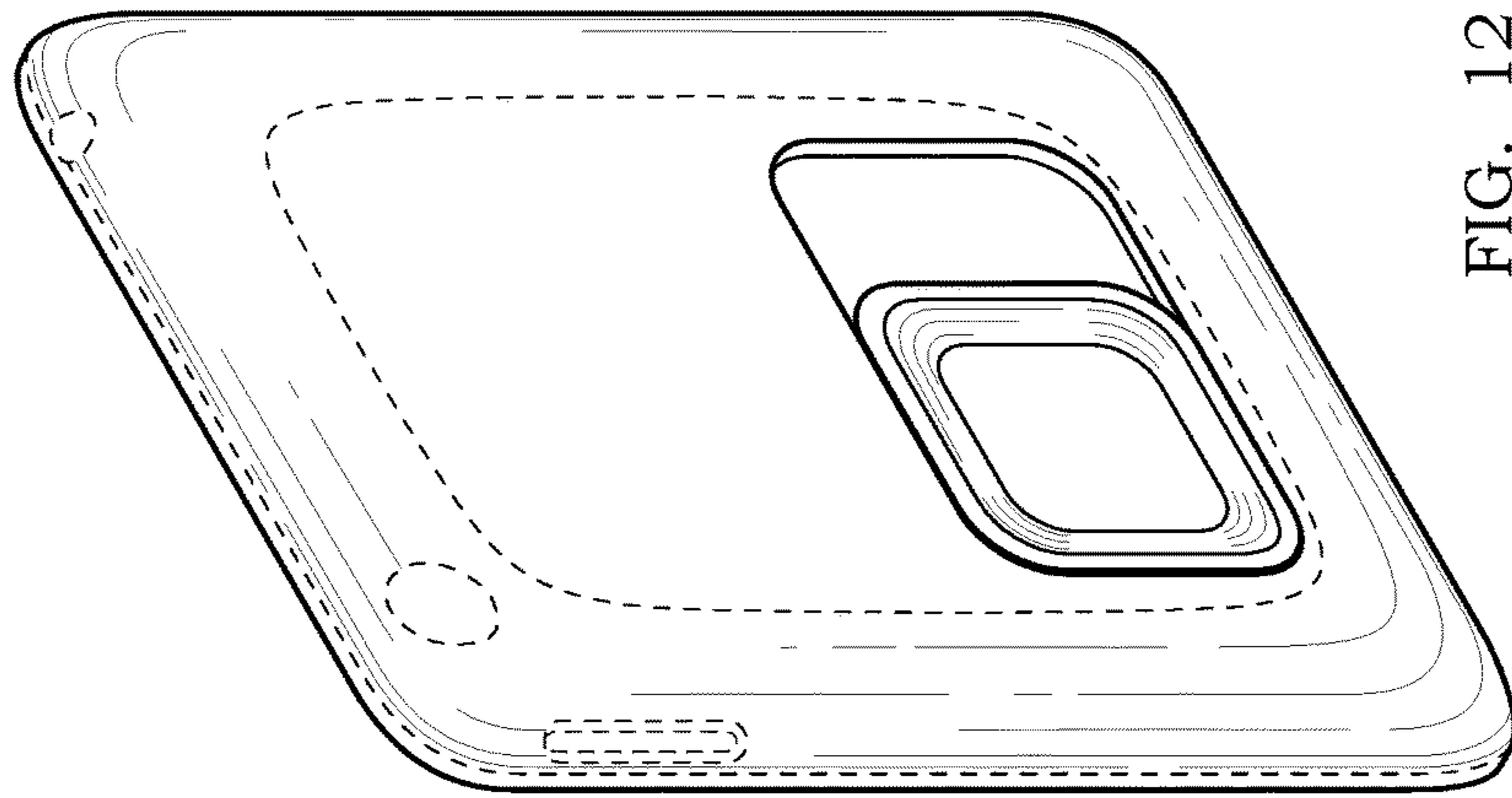


FIG. 12

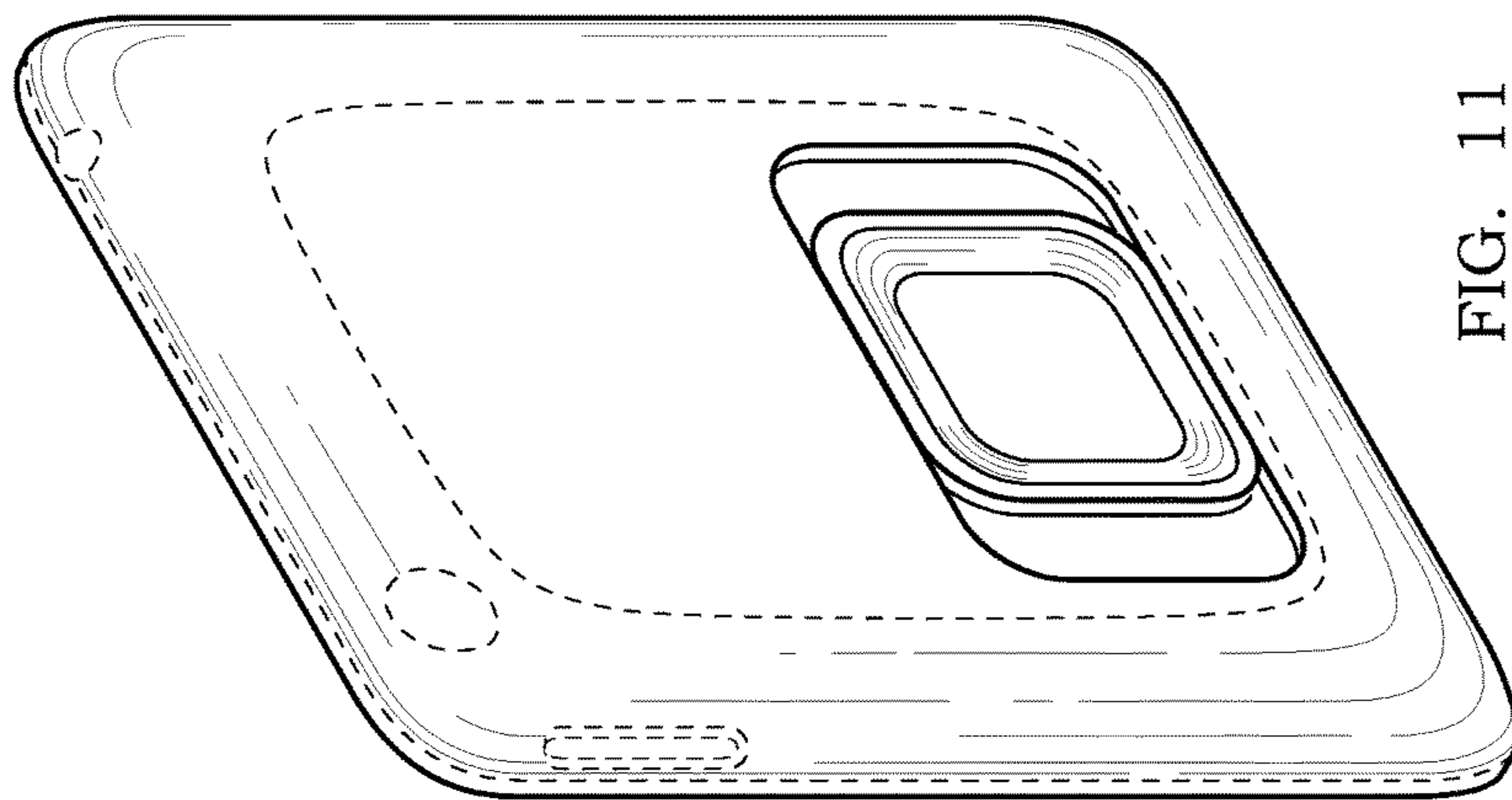


FIG. 11