



US00D795857S

(12) **United States Design Patent** (10) **Patent No.:** **US D795,857 S**
Chen (45) **Date of Patent:** **** Aug. 29, 2017**

(54) **CASE FOR ELECTRONIC DEVICE**

(71) Applicant: **Jinliang Chen**, Shenzhen (CN)

(72) Inventor: **Jinliang Chen**, Shenzhen (CN)

(**) Term: **15 Years**

(21) Appl. No.: **29/563,293**

(22) Filed: **May 3, 2016**

(51) **LOC (10) Cl.** **14-03**

(52) **U.S. Cl.**
USPC **D14/250**

(58) **Field of Classification Search**
USPC D14/250; 455/575.8
CPC A45C 2011/002
See application file for complete search history.

(56) **References Cited**

U.S. PATENT DOCUMENTS

D626,540	S	*	11/2010	Brown	D14/250
D669,458	S	*	10/2012	Wilson	D14/250
D671,930	S	*	12/2012	Akana	D14/250
D676,845	S	*	2/2013	Melanson	D14/250
8,457,701	B2	*	6/2013	Diebel	H04B 1/3888 206/701
8,675,359	B2	*	3/2014	Chen	H04B 1/3888 206/305
D703,653	S	*	4/2014	Brubaker	D14/250
D712,892	S	*	9/2014	Hong	D14/250
D721,071	S	*	1/2015	Nelson	D14/250
D721,360	S	*	1/2015	Laffon de Mazieres	D14/250
D738,365	S	*	9/2015	Melanson	D14/250
D740,798	S	*	10/2015	Poon	D14/250
D743,389	S	*	11/2015	Akana	D14/250
D762,198	S	*	7/2016	Burgess	D14/250
D765,635	S	*	9/2016	Chang	D14/250
D777,157	S	*	1/2017	Kim	D14/250

D778,892	S	*	2/2017	Fathollahi	D14/250
2014/0339130	A1	*	11/2014	Manning	H05K 7/12 206/586
2016/0045004	A1	*	2/2016	Wang	H04B 1/3888 224/191
2016/0182114	A1	*	6/2016	Tien	H04B 1/3888 224/191
2016/0219999	A1	*	8/2016	Chang	A45C 11/00
2017/0013925	A1	*	1/2017	Fathollahi	A45C 13/02

OTHER PUBLICATIONS

Cell Phone Case For Sony Xperia, posted at alibaba.com, posting date not given, [online], [site visited Feb. 22, 2017]. Available from Internet, <URL: https://www.alibaba.com/productdetail/cellphonecaseforsonyxperia_60489233261.html>.*

* cited by examiner

Primary Examiner — George D Kirschbaum

Assistant Examiner — Maria Edwards

(74) *Attorney, Agent, or Firm* — Novoclaims Patent Services LLC; Mei Lin Wong

(57) **CLAIM**

The ornamental design for a case for electronic device, as shown and described.

DESCRIPTION

FIG. 1 is a perspective view of a case for electronic device showing my new design.

FIG. 2 is another perspective view thereof.

FIG. 3 is a front view thereof.

FIG. 4 is a rear view thereof.

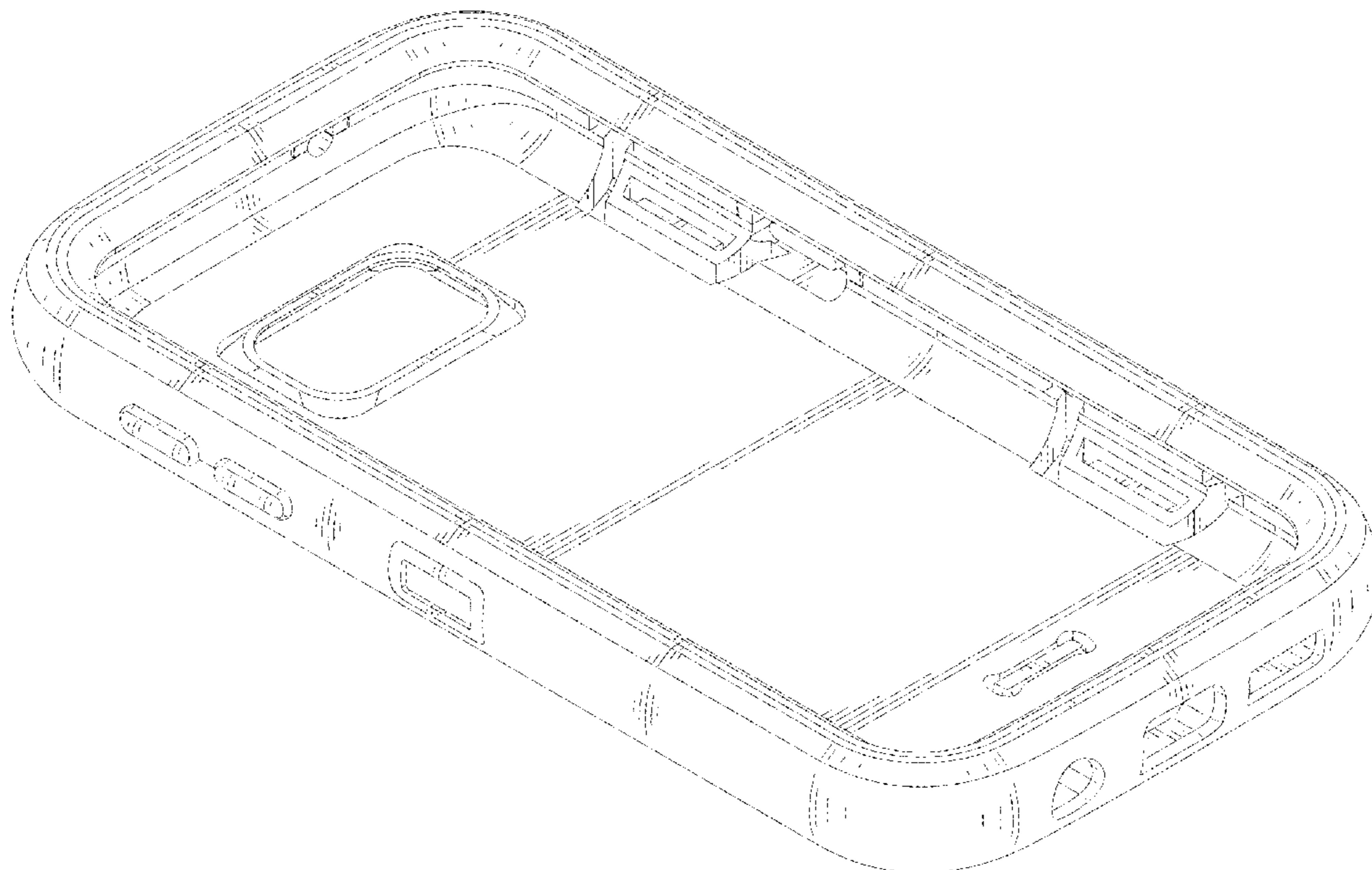
FIG. 5 is a left end view thereof.

FIG. 6 is a right end view thereof.

FIG. 7 is a top view thereof; and,

FIG. 8 is a bottom view thereof.

1 Claim, 8 Drawing Sheets



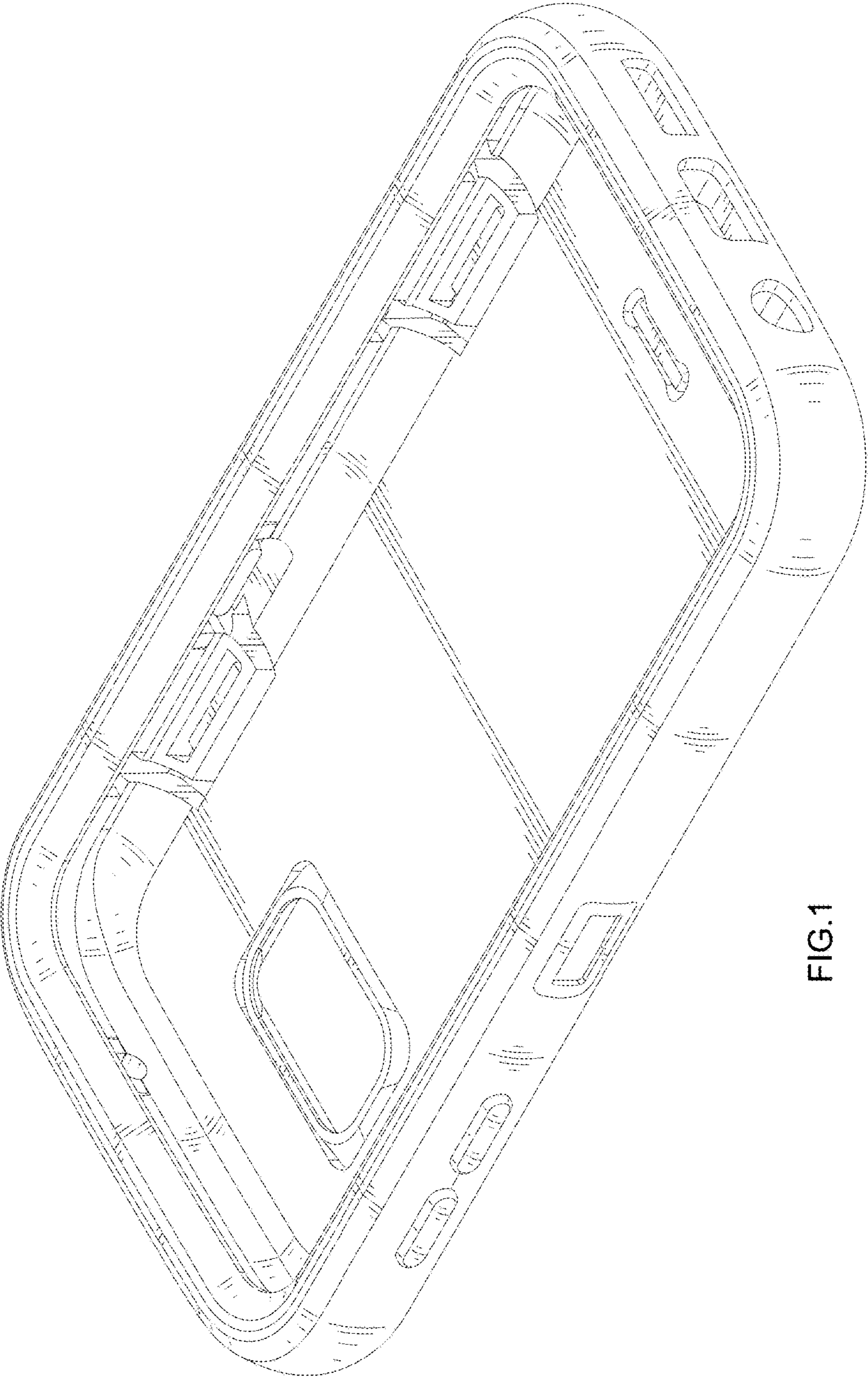


FIG.1

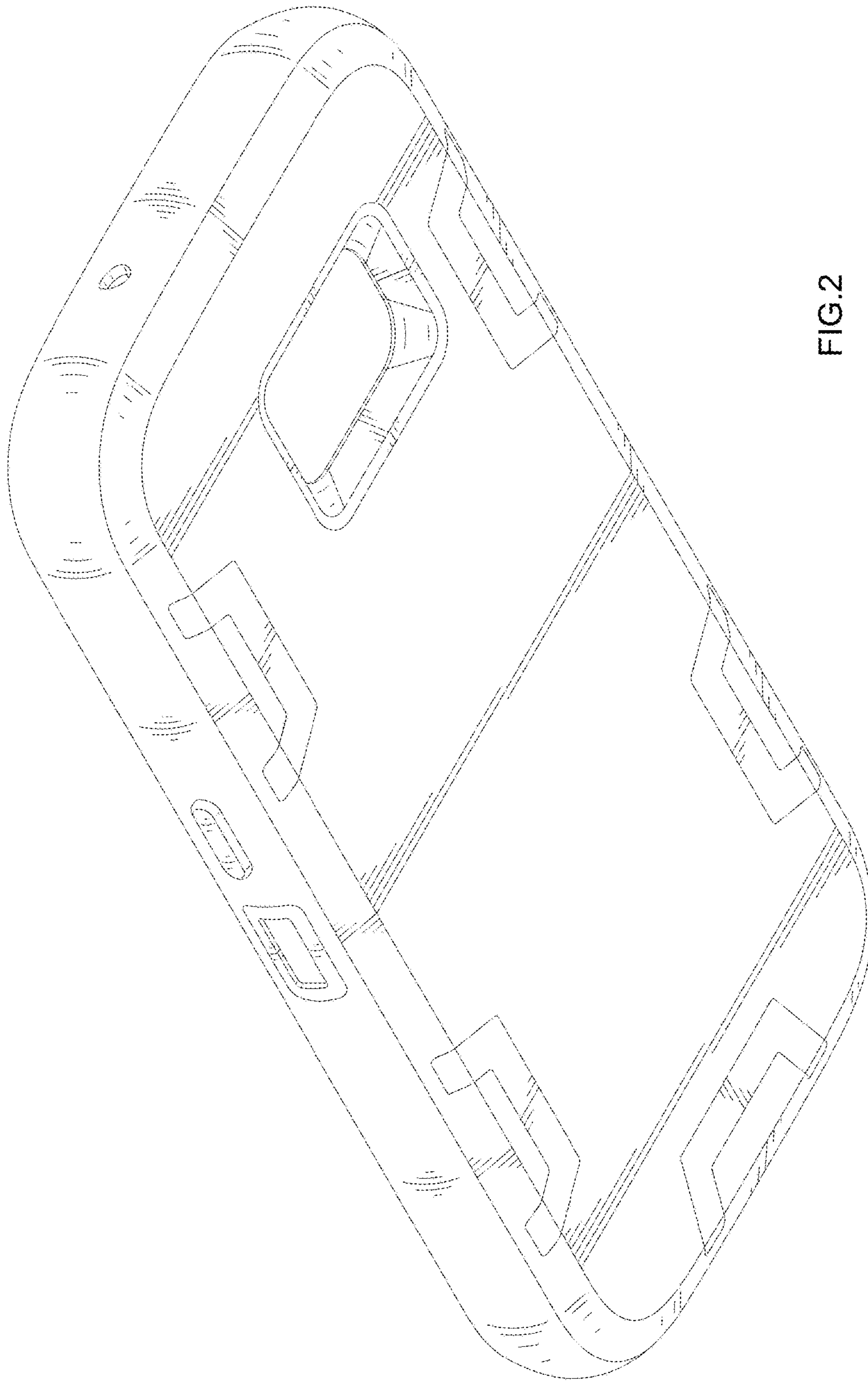


FIG.2

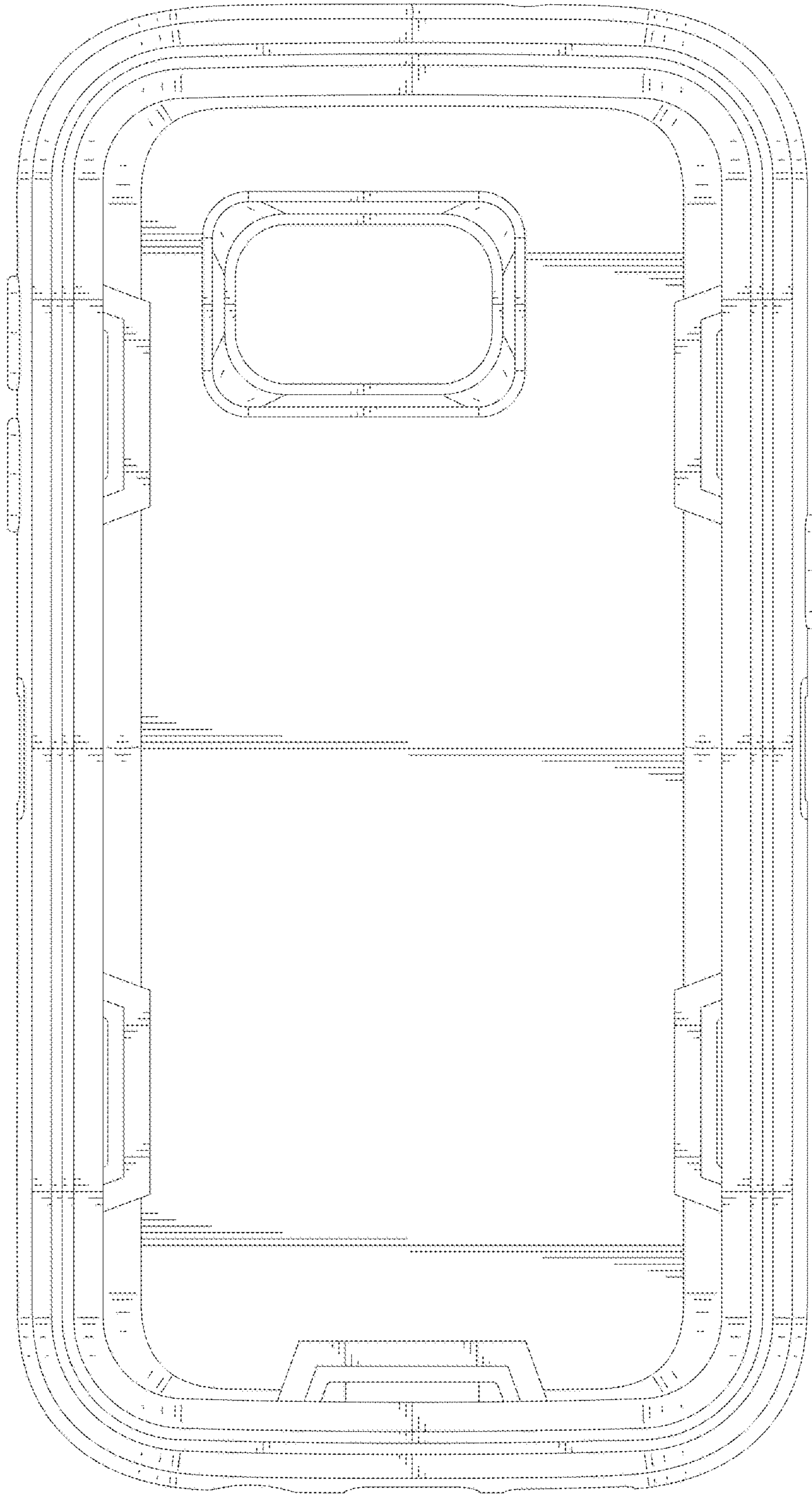


FIG.3

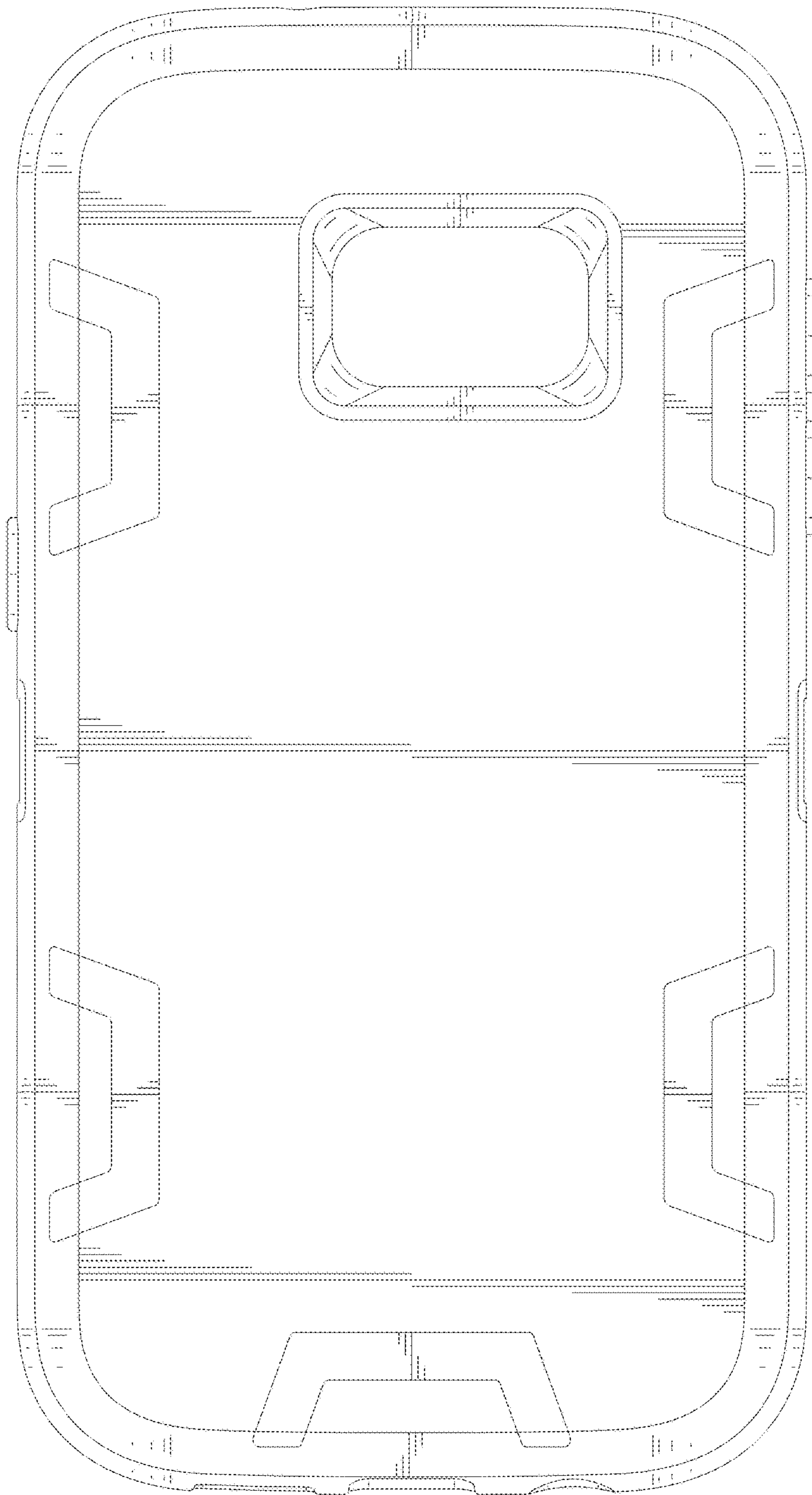


FIG.4

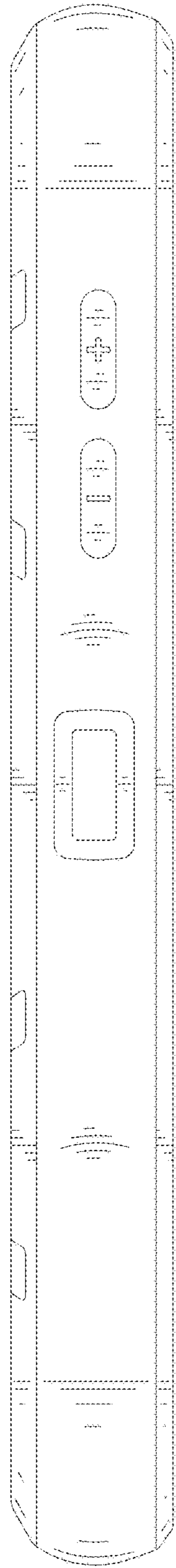


FIG.5

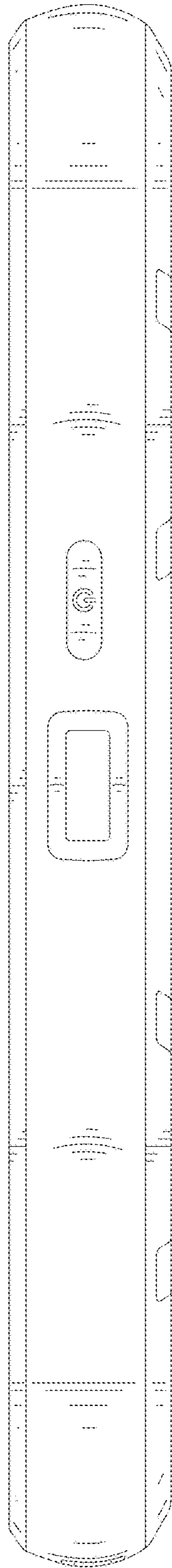


FIG.6

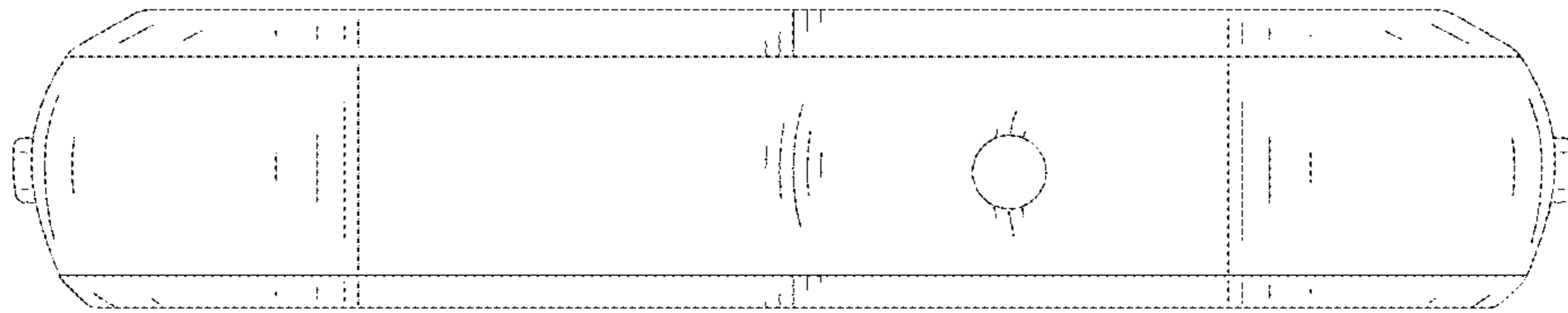


FIG.7

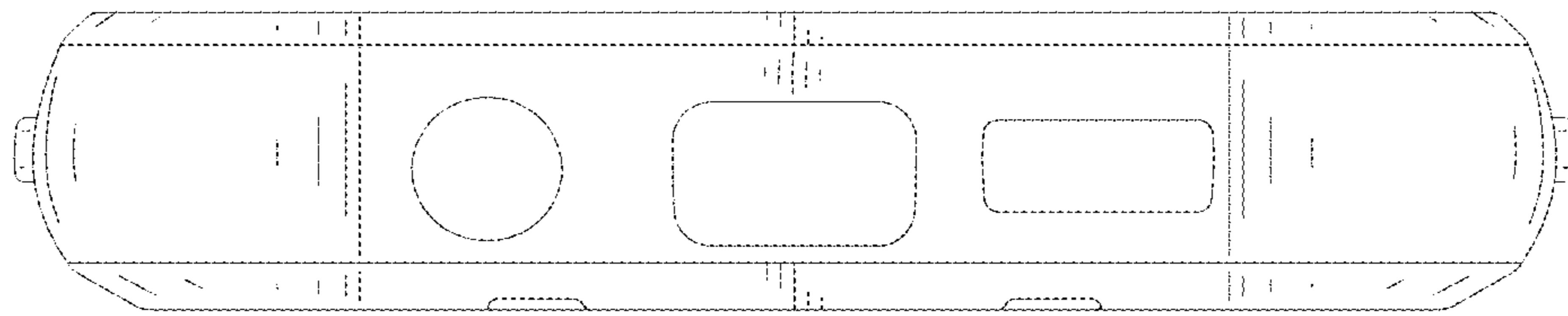


FIG. 8