



US00D795853S

(12) **United States Design Patent** (10) **Patent No.:** **US D795,853 S**
Ngo et al. (45) **Date of Patent:** **** Aug. 29, 2017**

(54) **ROUTER**
(71) Applicant: **Planetary Network Technologies, Inc.**,
San Jose, CA (US)
(72) Inventors: **Terry F K Ngo**, Bellevue, WA (US);
Seung Baek Yi, Norwich, VT (US);
Erick Kurniawan, San Francisco, CA
(US); **Kun Ting Tsai**, Fremont, CA
(US)
(73) Assignee: **Network Performance Research
Group LLC**, San Jose, CA (US)
(**) Term: **15 Years**
(21) Appl. No.: **29/565,832**
(22) Filed: **May 24, 2016**
(51) **LOC (10) Cl.** **14-03**
(52) **U.S. Cl.**
USPC **D14/240**
(58) **Field of Classification Search**
USPC D14/125, 138 C, 138 R, 140.1, 155, 159,
D14/167, 230, 231, 232, 233, 234, 235,
D14/236, 237, 238, 240, 242, 243, 299,
D14/348, 349, 351, 353, 354, 355, 356,
D14/357, 358, 367, 385, 433, 435, 436,
D14/474, 480, 496; D13/123, 184;
D10/75, 104.1
See application file for complete search history.

D649,945 S * 12/2011 Kim D14/125
D659,690 S * 5/2012 Huang D14/138 G
D694,233 S * 11/2013 Hoofnagle D14/356
D704,176 S * 5/2014 Kwak D14/240
D717,381 S * 11/2014 Orenstein D21/671
D719,153 S * 12/2014 Lim D14/356
D740,262 S * 10/2015 Hasegawa D14/240

OTHER PUBLICATIONS

Plastic soap dish holder & lid found online [Dec. 6, 2016] <https://www.amazon.com/dp/B0084NDFJ8?psc=1>.
Focaccia bread reference found online [Dec. 5, 2016] <http://www.thegardeninterior.com/solstice-pancakes-focaccia/>.

* cited by examiner

Primary Examiner — Robert M Spear
Assistant Examiner — John Voytek
(74) *Attorney, Agent, or Firm* — Amin, Turocy & Watson

(57) **CLAIM**

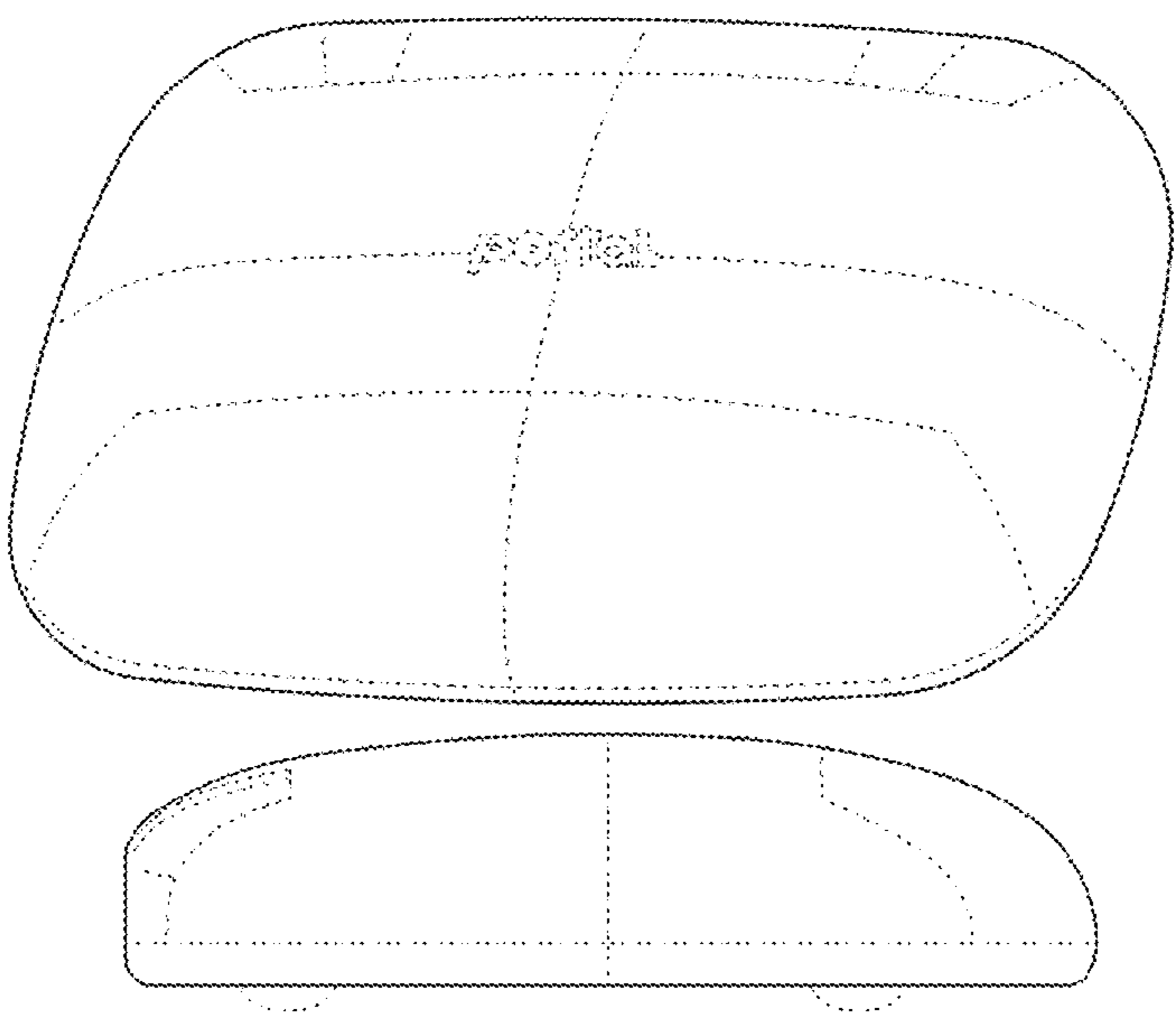
The ornamental design for an router, substantially as shown and described.

DESCRIPTION

FIG. 1 is a top perspective view of an router showing our new design.
FIG. 2 is a bottom perspective view thereof.
FIG. 3 is a top plan view thereof.
FIG. 4 is a front plan view thereof.
FIG. 5 is a rear plan view thereof.
FIG. 6 is a left side plan view thereof.
FIG. 7 is a right side plan view thereof; and,
FIG. 8 is a bottom plan view thereof.
The broken line showing of portions of the device are for illustrative purposes only and form no part of the claimed design.

1 Claim, 6 Drawing Sheets

(56) **References Cited**
U.S. PATENT DOCUMENTS
D585,395 S * 1/2009 Cho D14/125
D626,099 S * 10/2010 Huang D14/125
D628,573 S * 12/2010 Wang D14/356
D638,426 S * 5/2011 Ikeda D14/240
D641,722 S * 7/2011 Luo D14/125



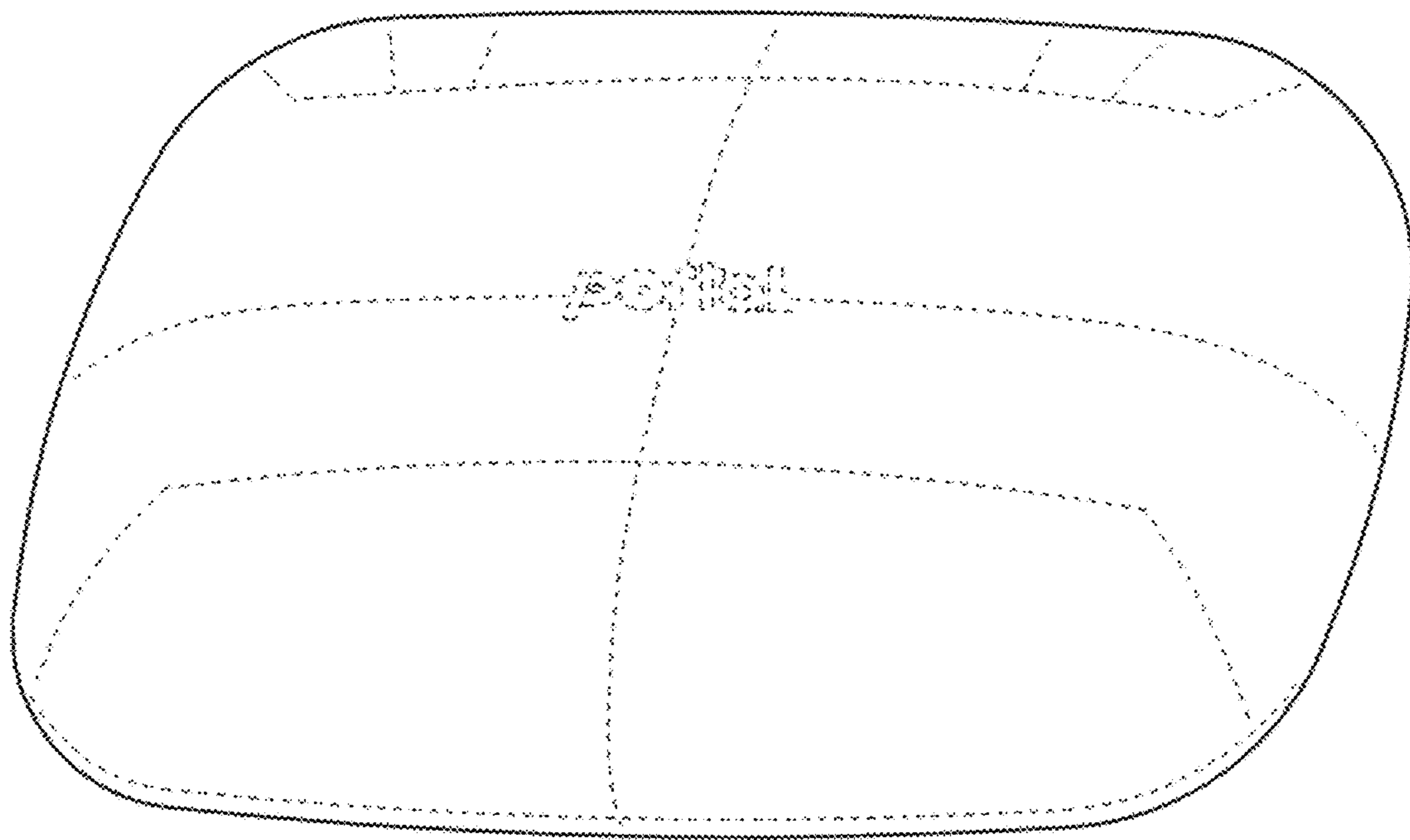


FIG. 1

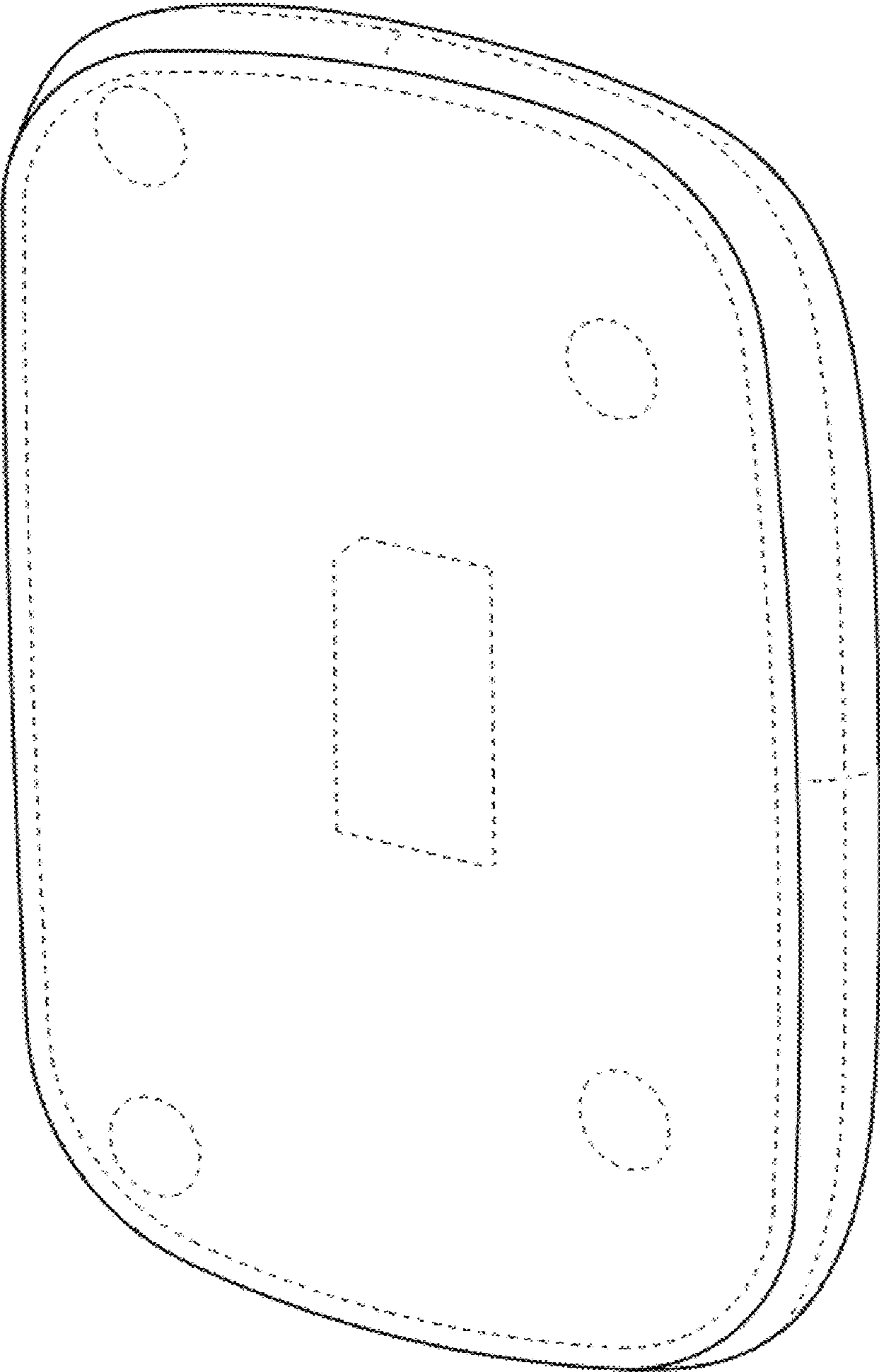


FIG. 2

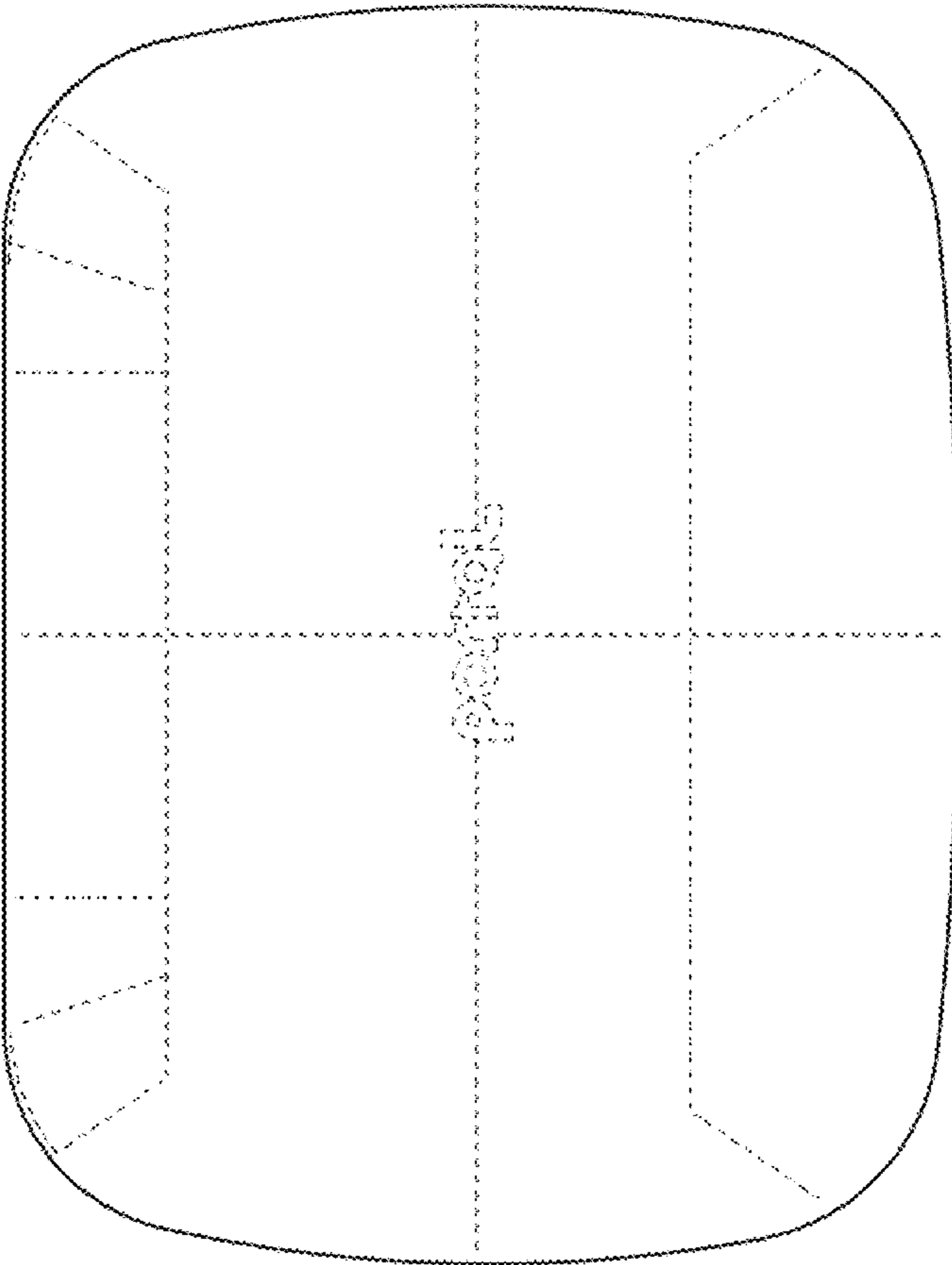


FIG. 3

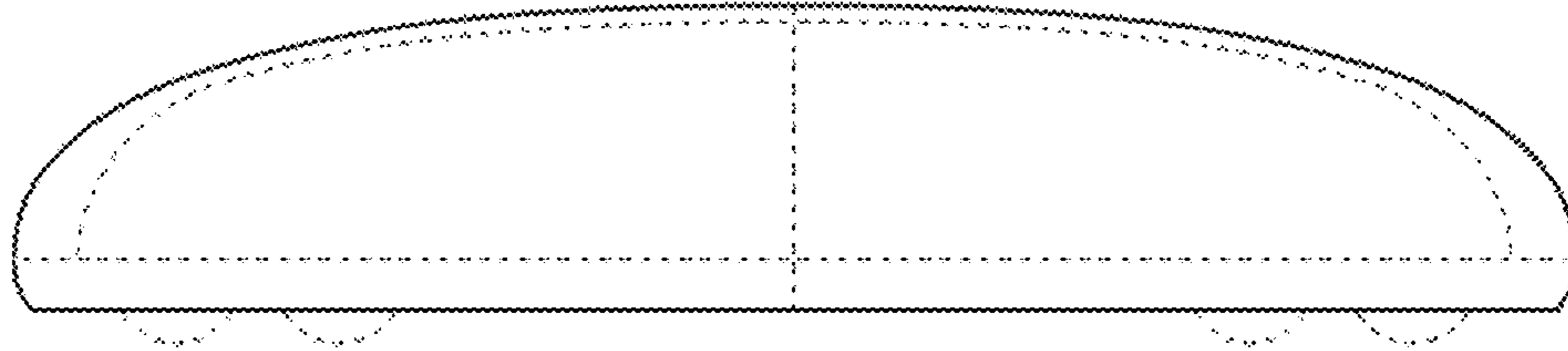


FIG. 4

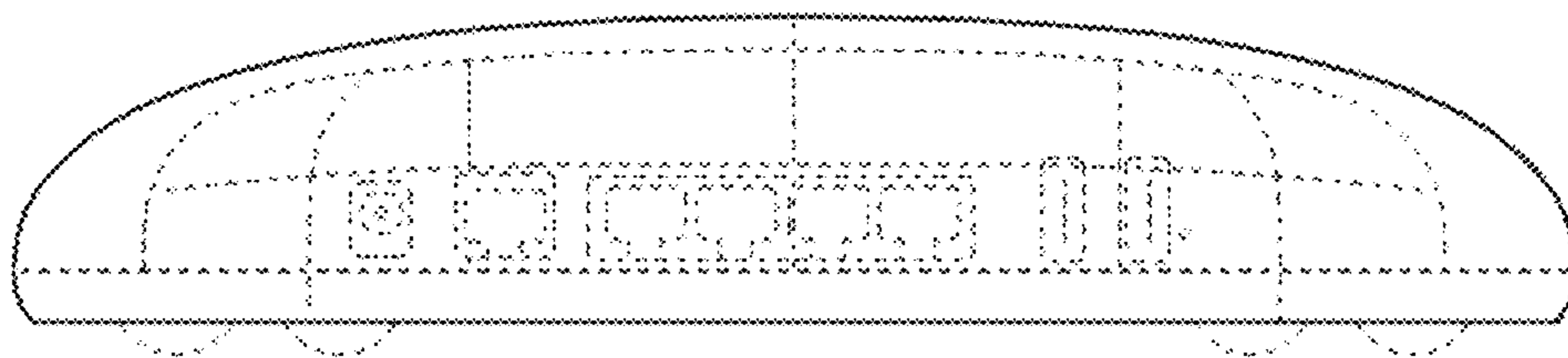


FIG. 5

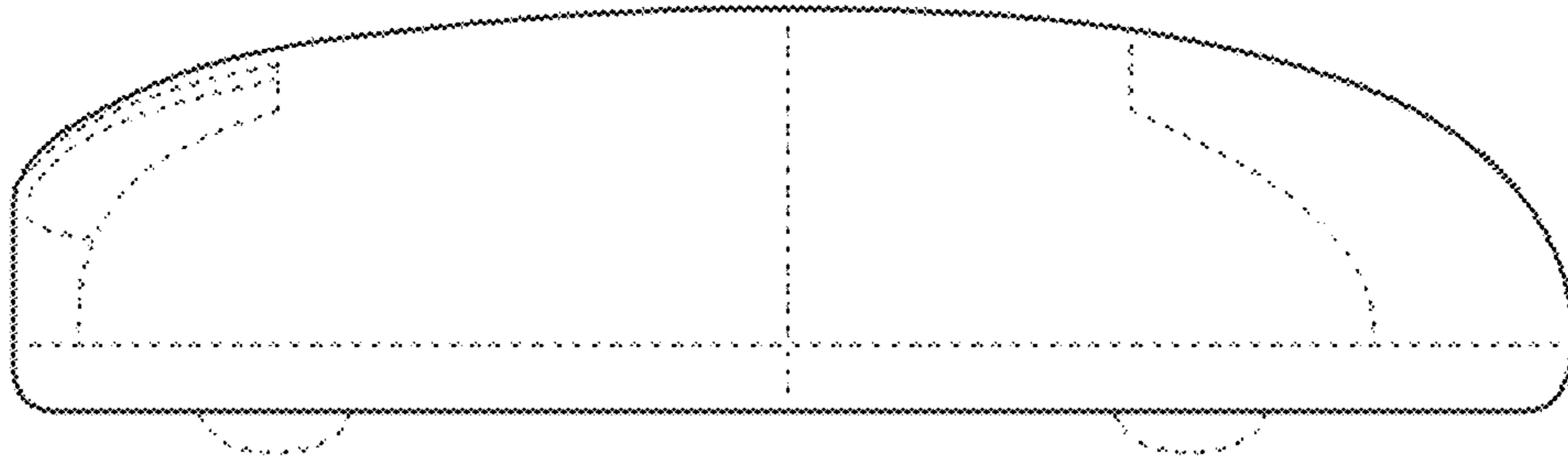


FIG. 6

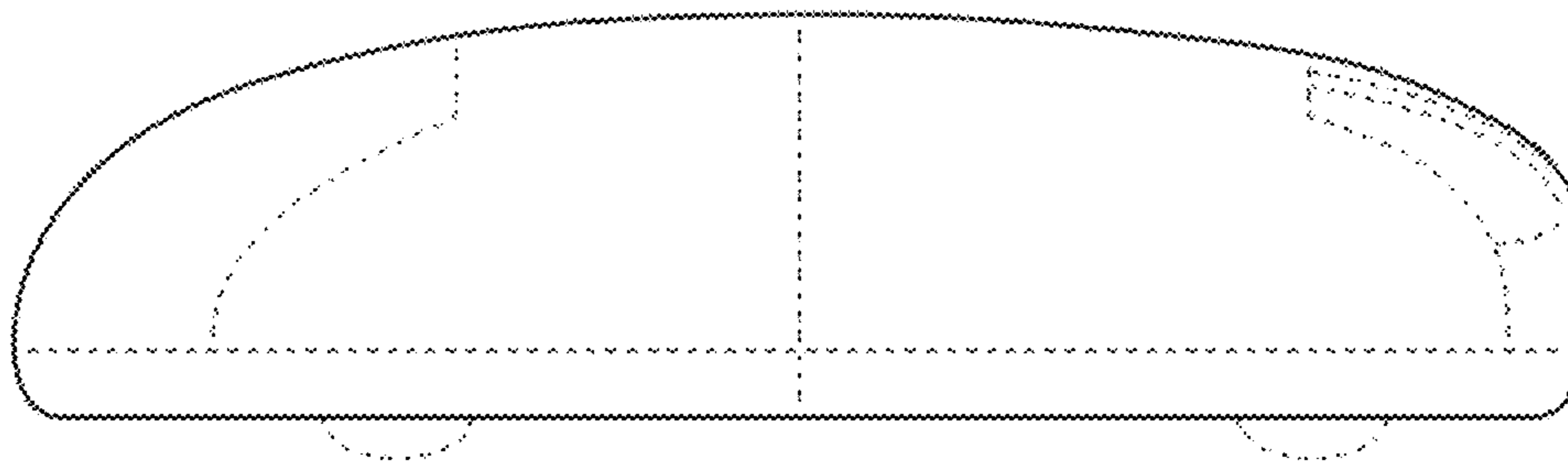


FIG. 7

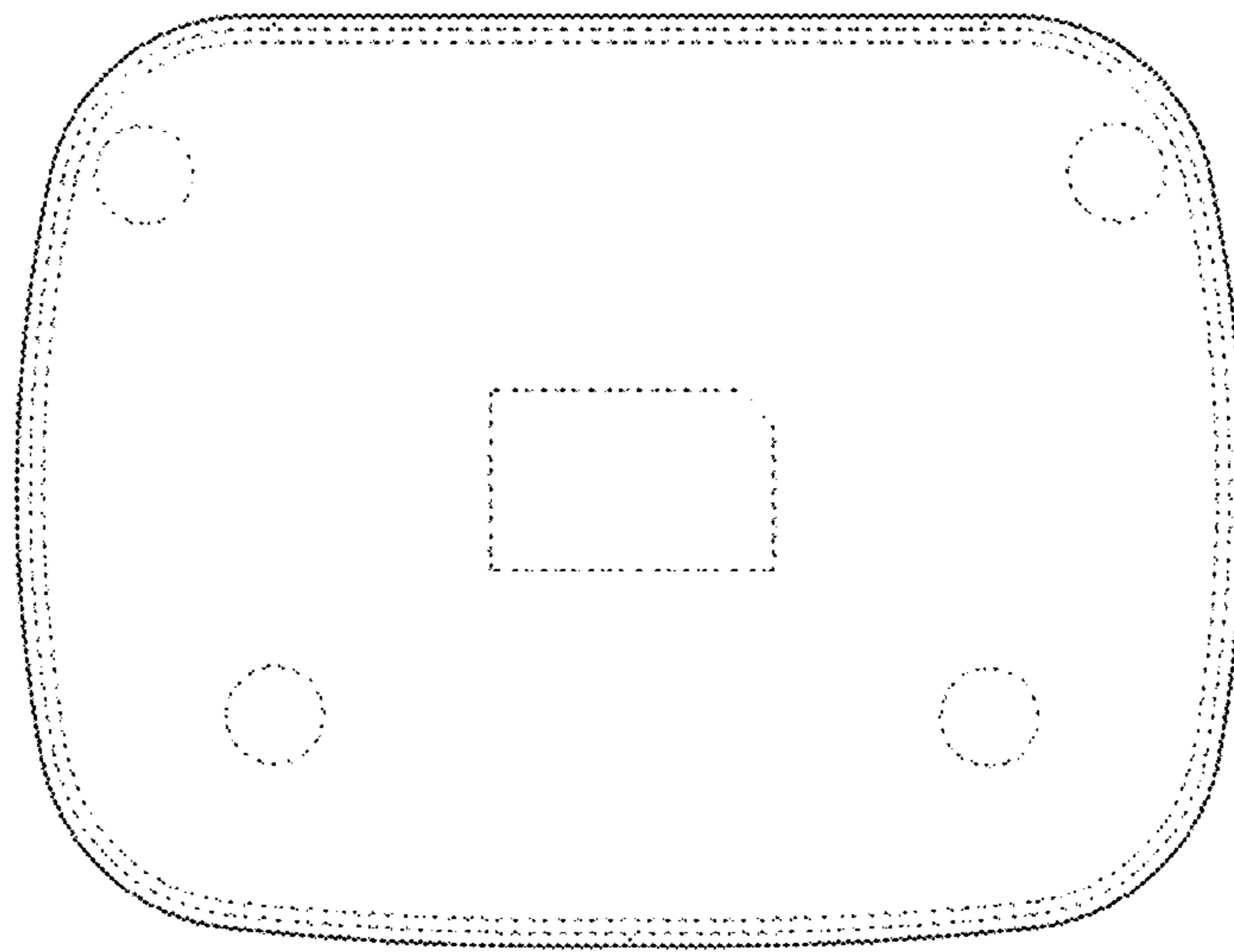


FIG. 8