



US00D795851S

(12) **United States Design Patent**
Kim et al.

(10) **Patent No.:** **US D795,851 S**
(45) **Date of Patent:** **** Aug. 29, 2017**

(54) **TV SET**
(71) Applicant: **SAMSUNG ELECTRONICS CO., LTD.**, Suwon-si, Gyeonggi-do (KR)
(72) Inventors: **Inshik Kim**, Seongnam-si (KR); **Namkyu Kim**, Seoul (KR); **Haesung Park**, Seoul (KR); **Daekyung Ahn**, Namyangju-si (KR)
(73) Assignee: **SAMSUNG ELECTRONICS CO., LTD.**, Gyeonggi-Do (KR)
(**) Term: **15 Years**
(21) Appl. No.: **29/567,458**
(22) Filed: **Jun. 9, 2016**

(30) **Foreign Application Priority Data**
Dec. 11, 2015 (KR) 30-2015-0063244
Dec. 11, 2015 (KR) 30-2015-0063247
(51) **LOC (10) Cl.** **14-03**
(52) **U.S. Cl.**
USPC **D14/239**; D14/126
(58) **Field of Classification Search**
USPC D14/125-134, 239, 371, 136, 374-377, D14/440, 450, 448, 336, 342, 159; 312/7.2; 348/836, 838, 180, 184, 325, 348/739; 248/917-924, 465; 345/104, 345/133, 156, 168, 87, 173; D21/329, D21/515, 577, 622, 333, 433, 448, 452, D21/450, 331, 505; D10/15, 26; 446/484, 175, 356; D6/477, 479, 300; D24/185; D34/14
CPC ... G06F 1/1601; G06F 1/1643; H05K 5/0004; H05K 5/0017; H05K 5/02; H05K 5/0217
See application file for complete search history.

(56) **References Cited**
U.S. PATENT DOCUMENTS
3,592,288 A * 7/1971 Walter E04B 1/8227
160/351
D479,532 S * 9/2003 Kern D15/5

D716,244 S * 10/2014 Kim D14/126
D717,805 S * 11/2014 Sang D14/448
D748,596 S * 2/2016 McManigal D14/126

* cited by examiner
Primary Examiner — Randall Gholson
(74) *Attorney, Agent, or Firm* — Cantor Colburn LLP

(57) **CLAIM**
The ornamental design for a TV set, as shown and described.

DESCRIPTION
FIG. 1 is a front perspective view of a TV set, showing our new design;
FIG. 2 is a front view thereof;
FIG. 3 is a rear view thereof;
FIG. 4 is a left-side view thereof;
FIG. 5 is a right-side view thereof;
FIG. 6 is a top view thereof;
FIG. 7 is a bottom view thereof;
FIG. 8 is an enlarged view of the encircled portion 8 in FIG. 1;
FIG. 9 is an enlarged view of the encircled portion 9 in FIG. 1;
FIG. 10 is an enlarged view of the encircled portion 10 in FIG. 2; and,
FIG. 11 is an enlarged view of the encircled portion 11 in FIG. 6.
The broken lines illustrating portions of the TV set form no part of the claimed design.
The dot-dashed broken lines define boundaries of the claimed design and form no part the claimed design.
The dot-dot-dash broken lines encircling portions of the claimed design that are illustrated in enlargements form no part of the claimed design.

1 Claim, 5 Drawing Sheets

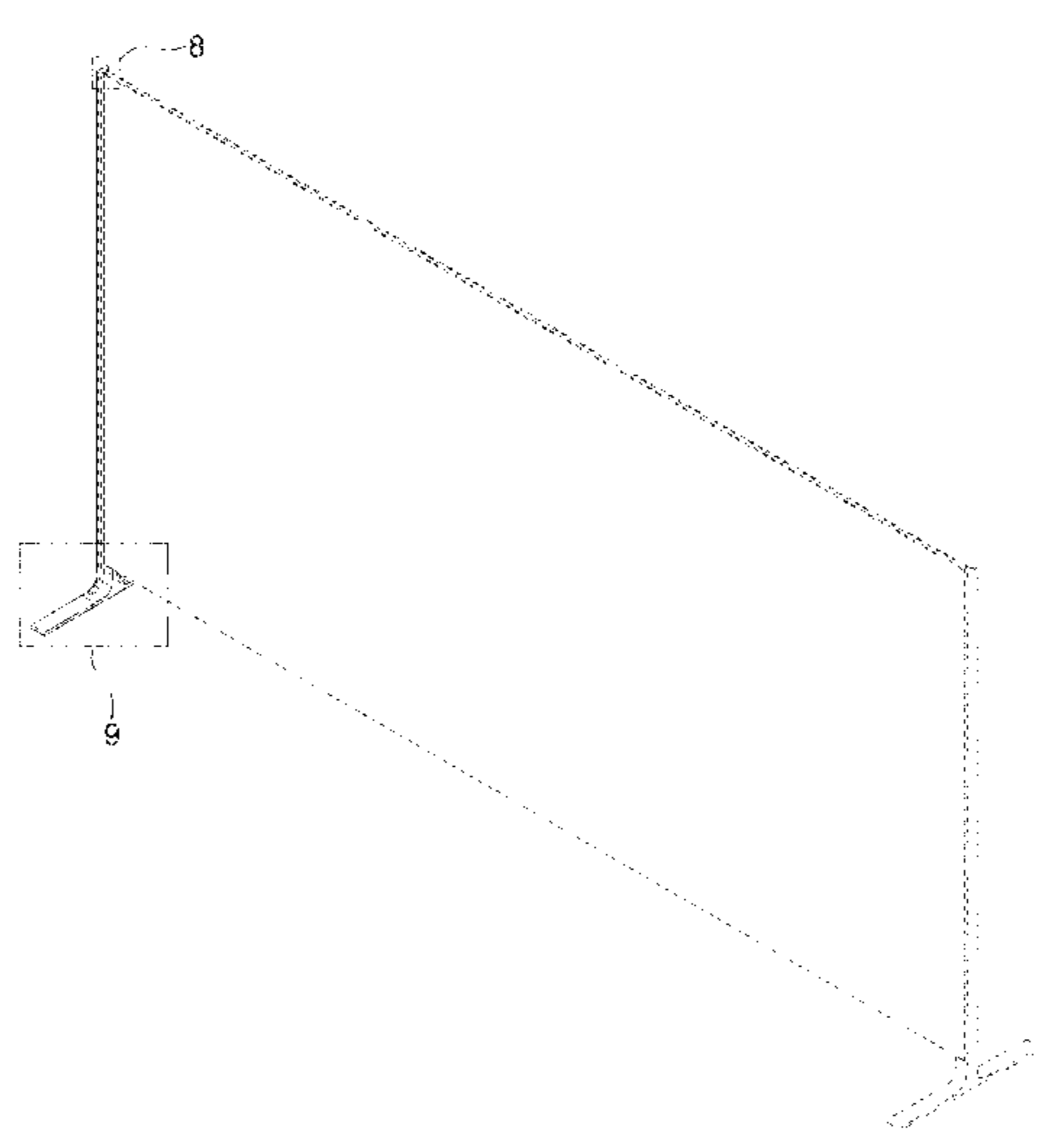


FIG. 1

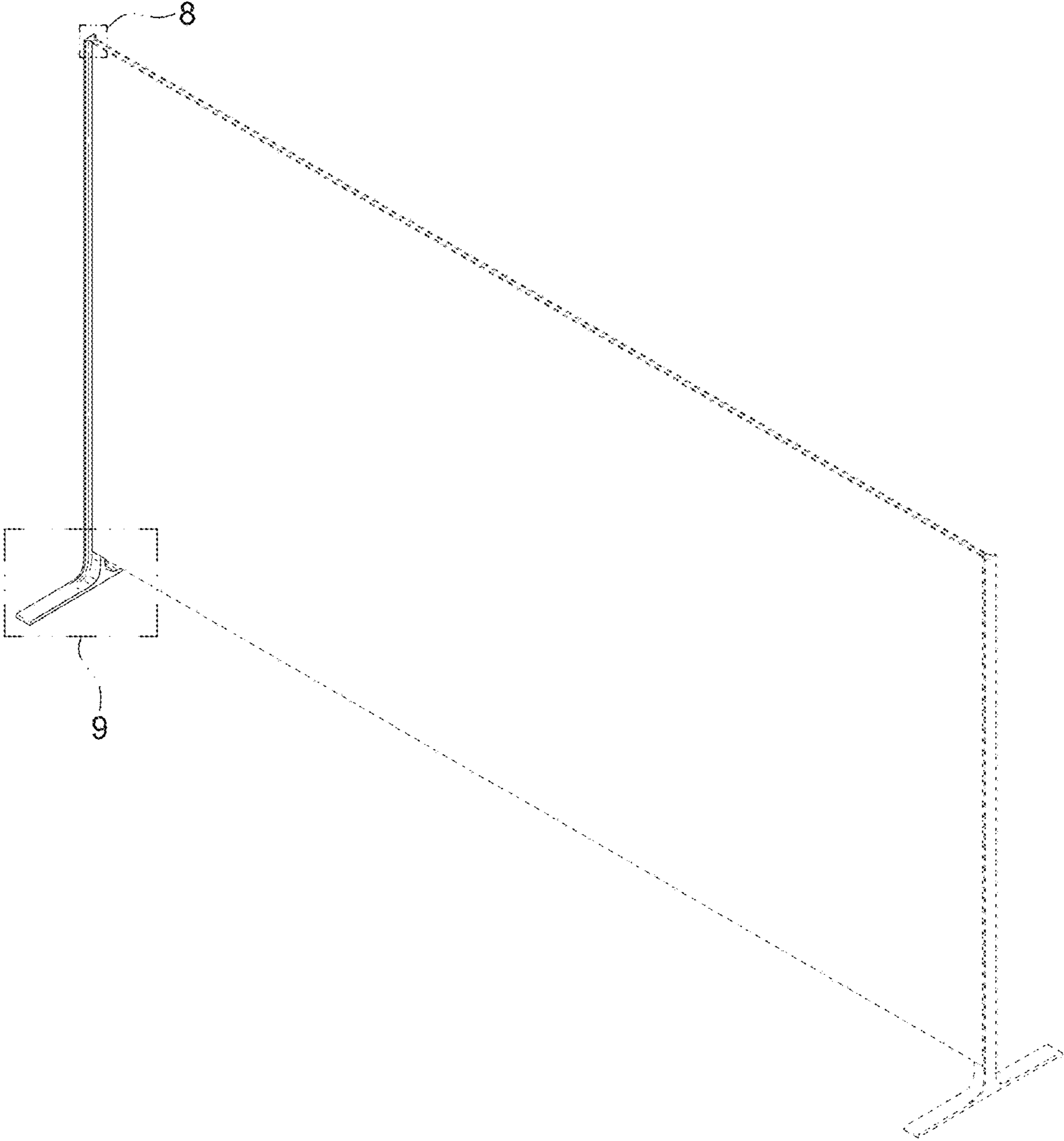


FIG.2



FIG.3

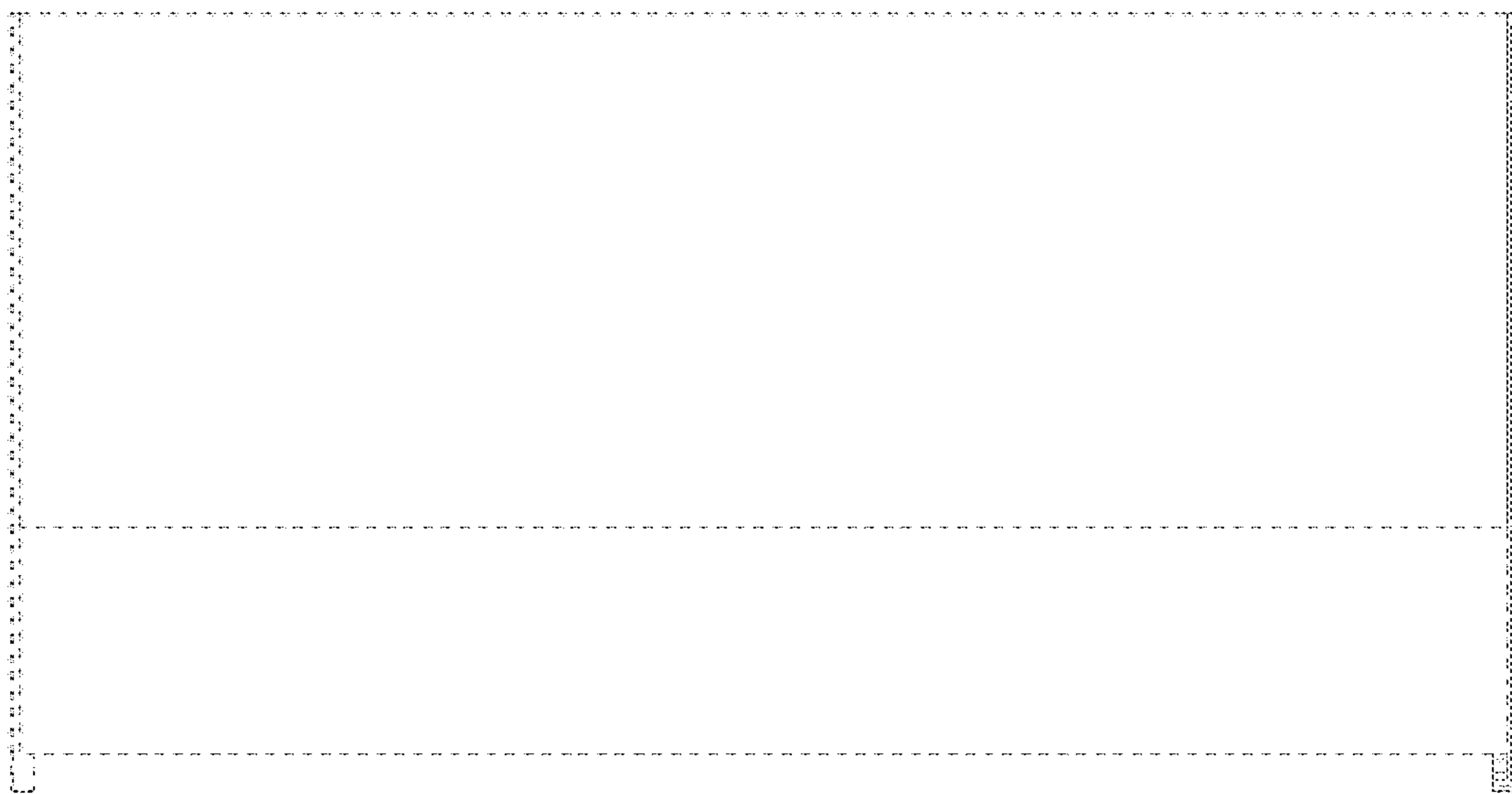


FIG.4

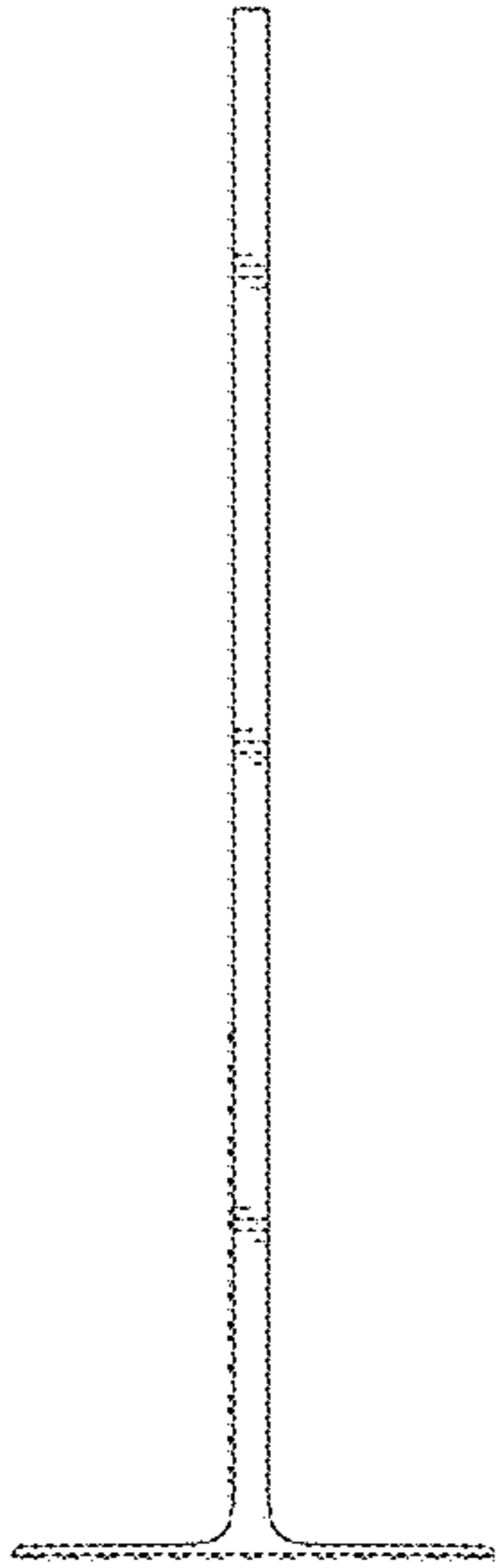


FIG.5

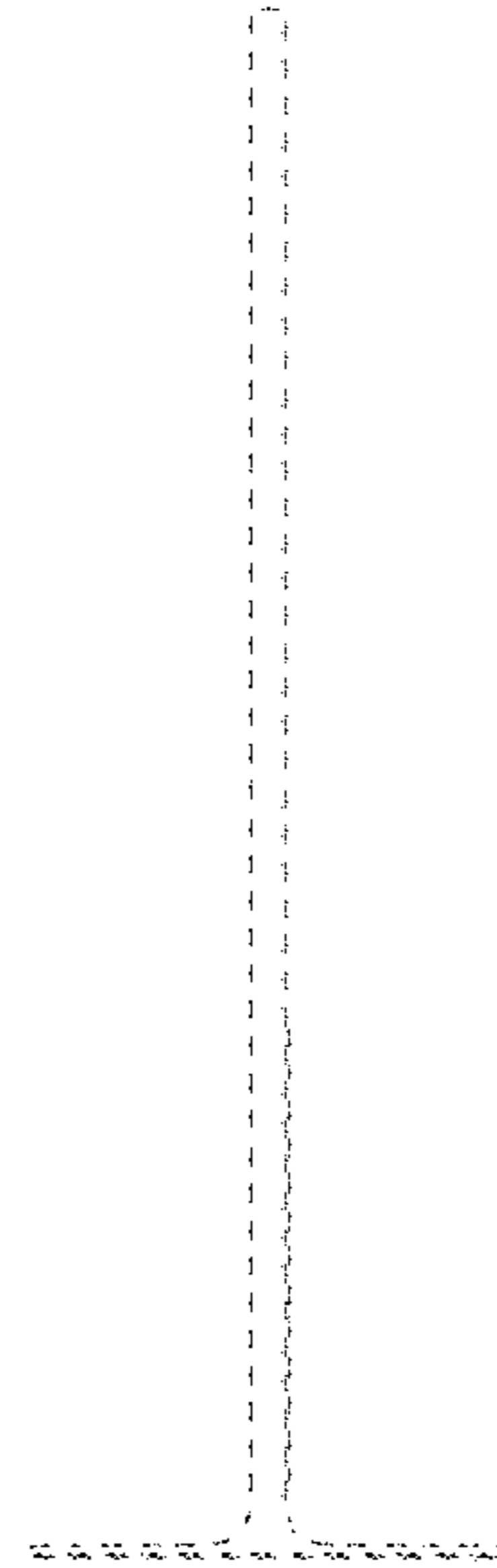


FIG.6

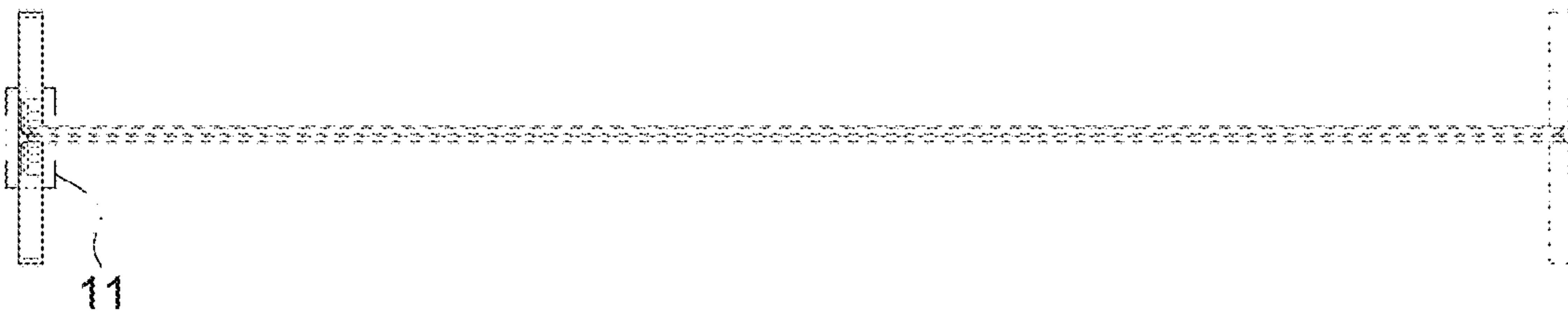


FIG.7

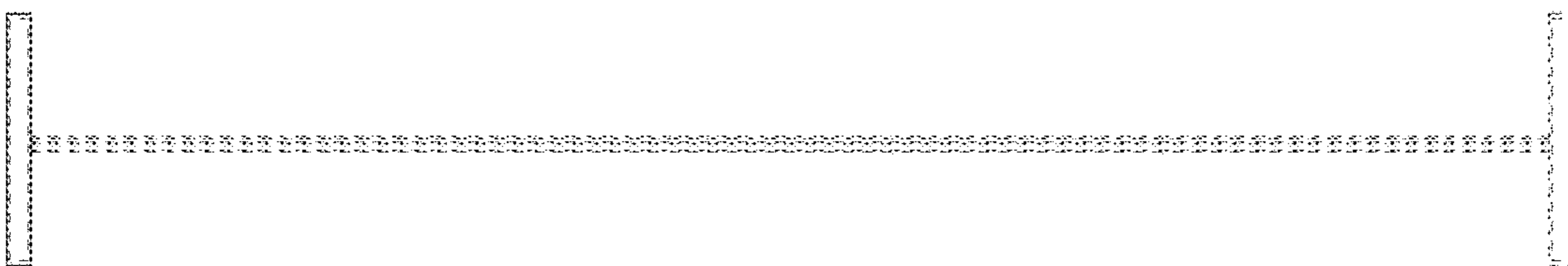


FIG.8

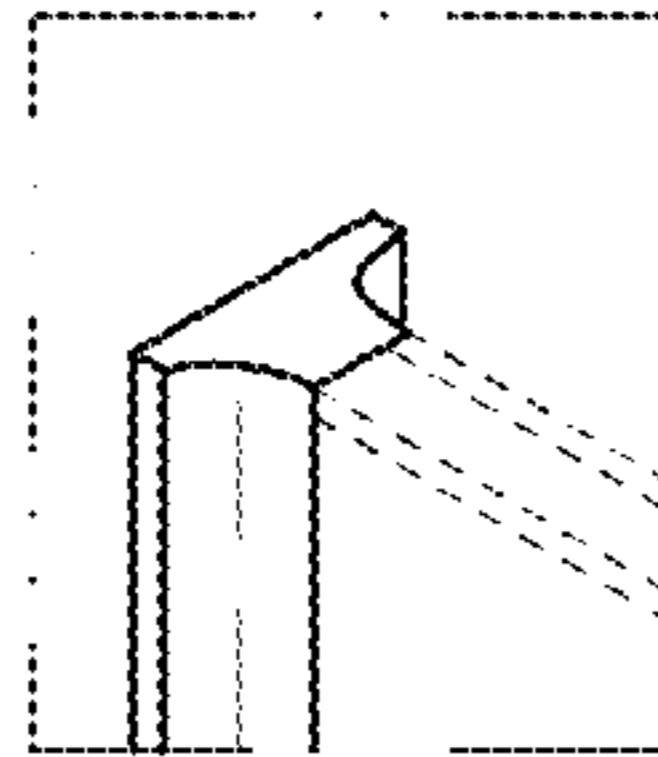


FIG.9

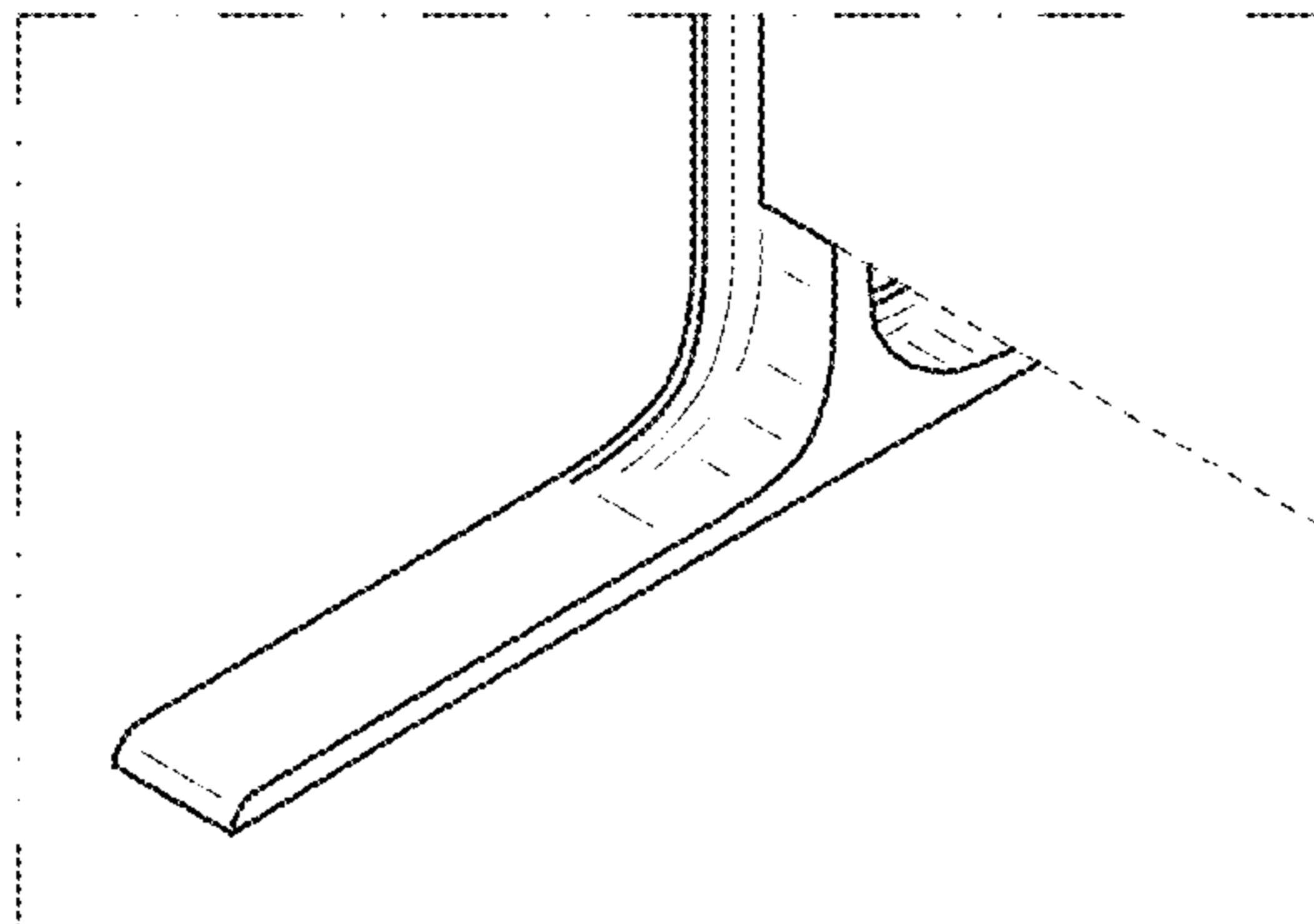


FIG.10

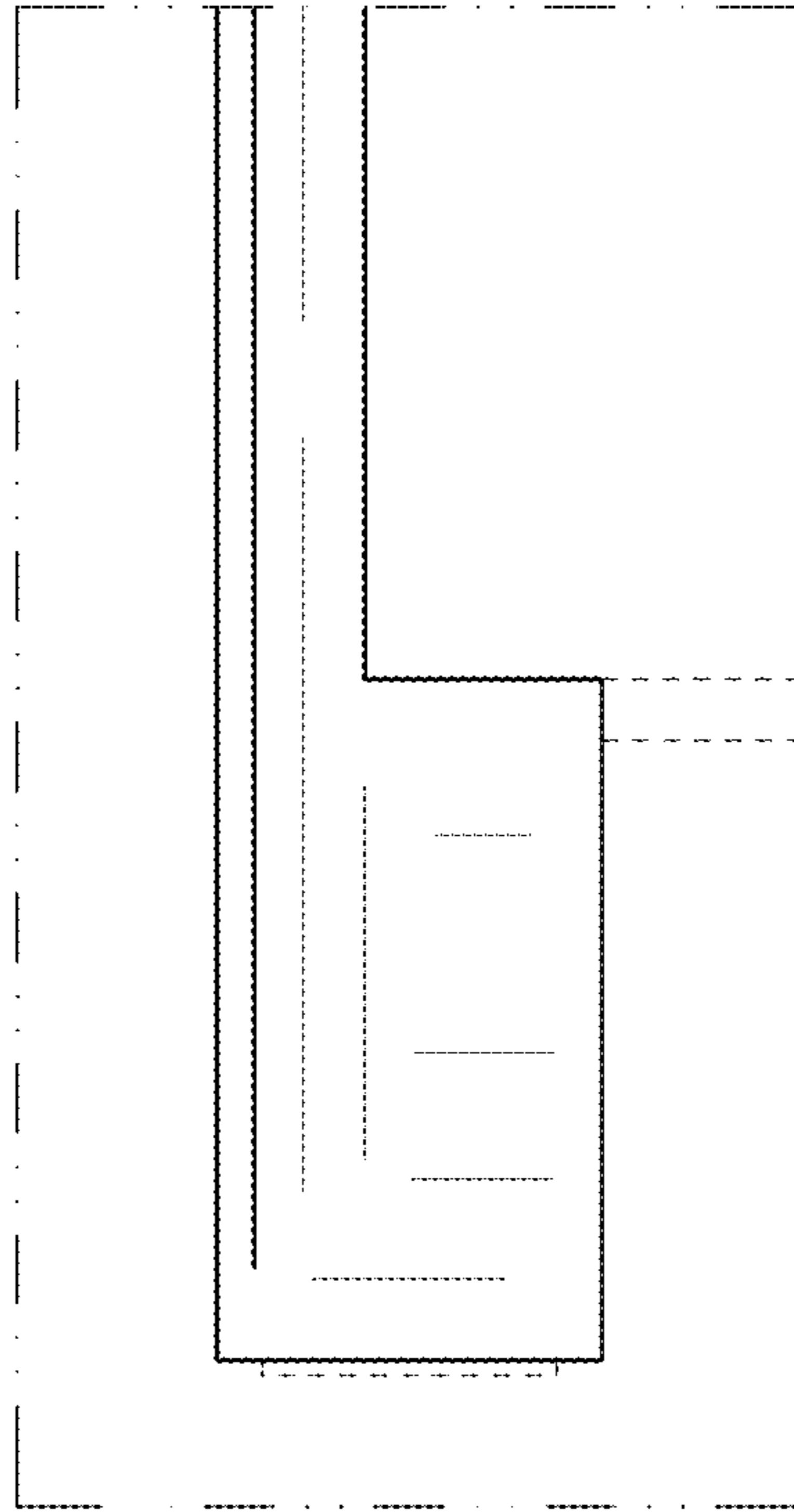


FIG.11

