



US00D795850S

(12) **United States Design Patent**  
**Choi et al.**

(10) **Patent No.:** **US D795,850 S**

(45) **Date of Patent:** **\*\* Aug. 29, 2017**

(54) **TELEVISION RECEIVER**

D745,864 S *	12/2015	Jung	.....	D14/239
D746,799 S *	1/2016	Kim	.....	D14/239
D747,703 S *	1/2016	Kim	.....	D14/239
D748,080 S *	1/2016	Jung	.....	D14/239

(71) Applicant: **SAMSUNG ELECTRONICS CO., LTD.**, Suwon-si, Gyeonggi-do (KR)

(72) Inventors: **Su-An Choi**, Seoul (KR); **Sang-Yong Park**, Bucheon-si (KR)

(73) Assignee: **SAMSUNG ELECTRONICS CO., LTD.**, Gyeonggi-Do (KR)

(\*\*) Term: **15 Years**

(21) Appl. No.: **29/565,894**

(22) Filed: **May 25, 2016**

(30) **Foreign Application Priority Data**

Dec. 1, 2015 (KR) ..... 30-2015-0060993

(51) **LOC (10) Cl.** ..... **14-03**

(52) **U.S. Cl.**

USPC ..... **D14/239**; D14/126

(58) **Field of Classification Search**

USPC ..... D14/125-134, 239, 371, 136, 374-377, D14/440, 450, 448, 336, 342, 159; 312/7.2; 348/836, 838, 180, 184, 325, 348/739; 248/917-924, 465; 345/104, 345/133, 156, 168, 87, 173; D21/329, D21/515, 577, 622, 333, 433, 448, 452, D21/450, 331, 505; D10/15, 26; 446/484, 175, 356; D6/477, 479, 300; D24/185; D34/14

CPC ... G06F 1/1601; G06F 1/1643; H05K 5/0004; H05K 5/0017; H05K 5/02; H05K 5/0217

See application file for complete search history.

(56) **References Cited**

**U.S. PATENT DOCUMENTS**

D666,165 S *	8/2012	Kim	.....	D14/126
D737,805 S *	9/2015	Park	.....	D14/239

**FOREIGN PATENT DOCUMENTS**

EM	001068340-0001	1/2009
EM	001713280-0019	5/2010
EM	002408336-0002	2/2014
KR	300771913 S	11/2014

\* cited by examiner

*Primary Examiner* — Randall Gholson

(74) *Attorney, Agent, or Firm* — Cantor Colburn LLP

(57) **CLAIM**

The ornamental design for a television receiver, as shown and described.

**DESCRIPTION**

FIG. 1 is a perspective view of television receiver showing our new design;  
FIG. 2 is a front view thereof;  
FIG. 3 is a rear view thereof;  
FIG. 4 is a left-side view thereof;  
FIG. 5 is a right-side view thereof;  
FIG. 6 is a top plan view thereof;  
FIG. 7 is a bottom plan view thereof;  
FIG. 8 is a rear perspective view thereof;  
FIG. 9 is another perspective view thereof showing only a stand portion of our new design;  
FIG. 10 is a front view of FIG. 9;  
FIG. 11 is a rear view of FIG. 9;  
FIG. 12 is a left-side view of FIG. 9;  
FIG. 13 is a right-side view of FIG. 9;  
FIG. 14 is a top plan view of FIG. 9;  
FIG. 15 is a bottom plan view of FIG. 9; and,  
FIG. 16 is a rear perspective view thereof.

**1 Claim, 11 Drawing Sheets**

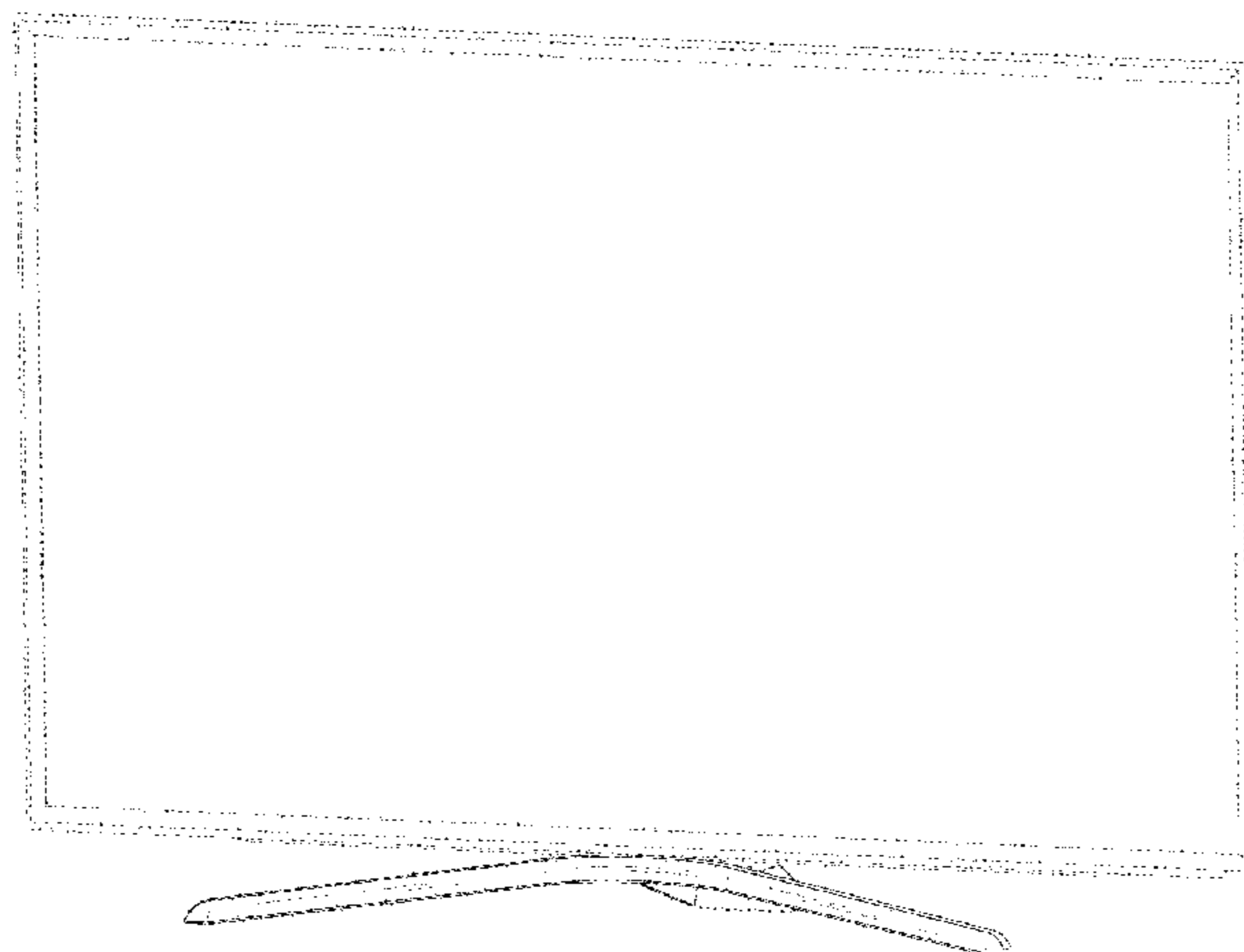


FIG. 1

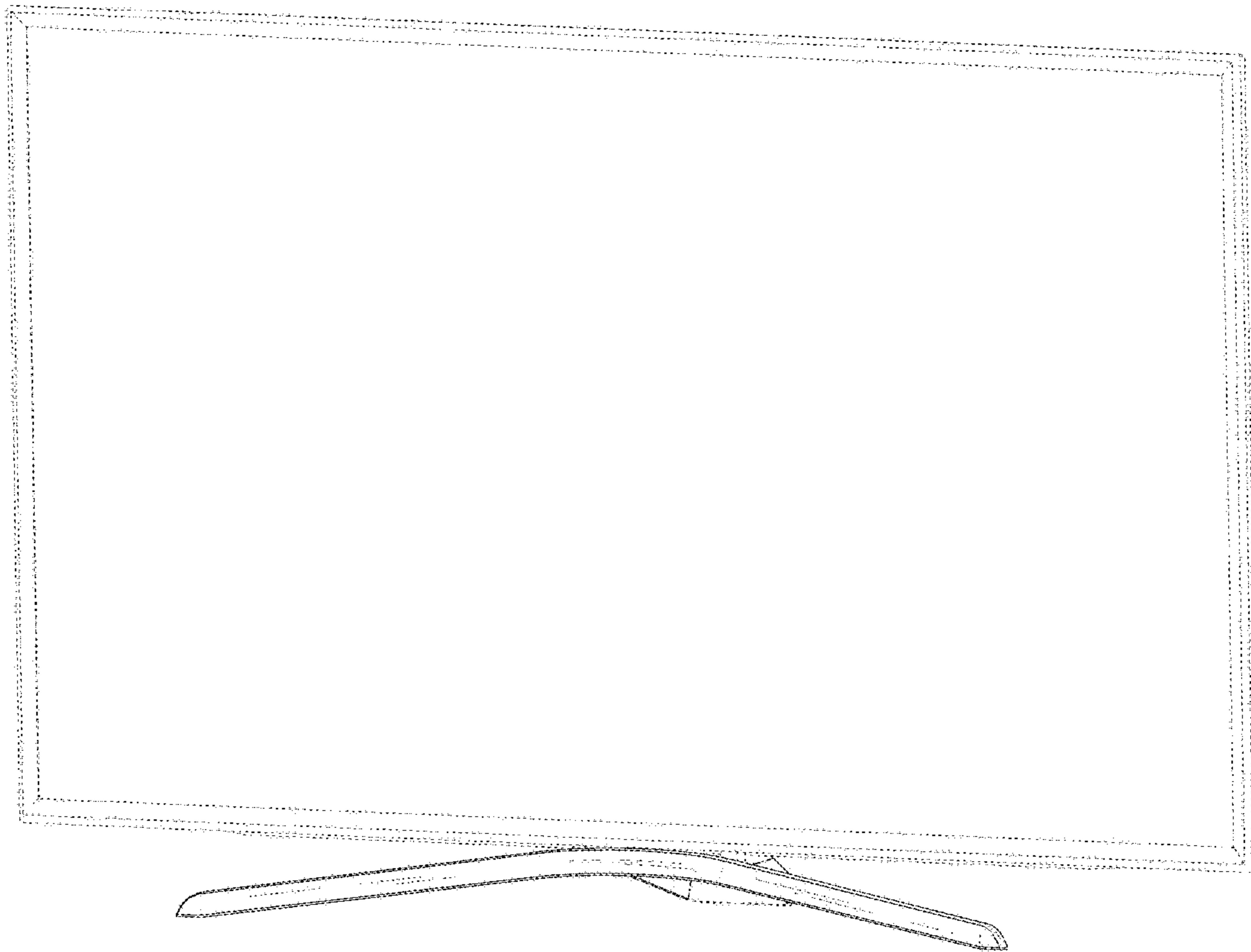


FIG. 2

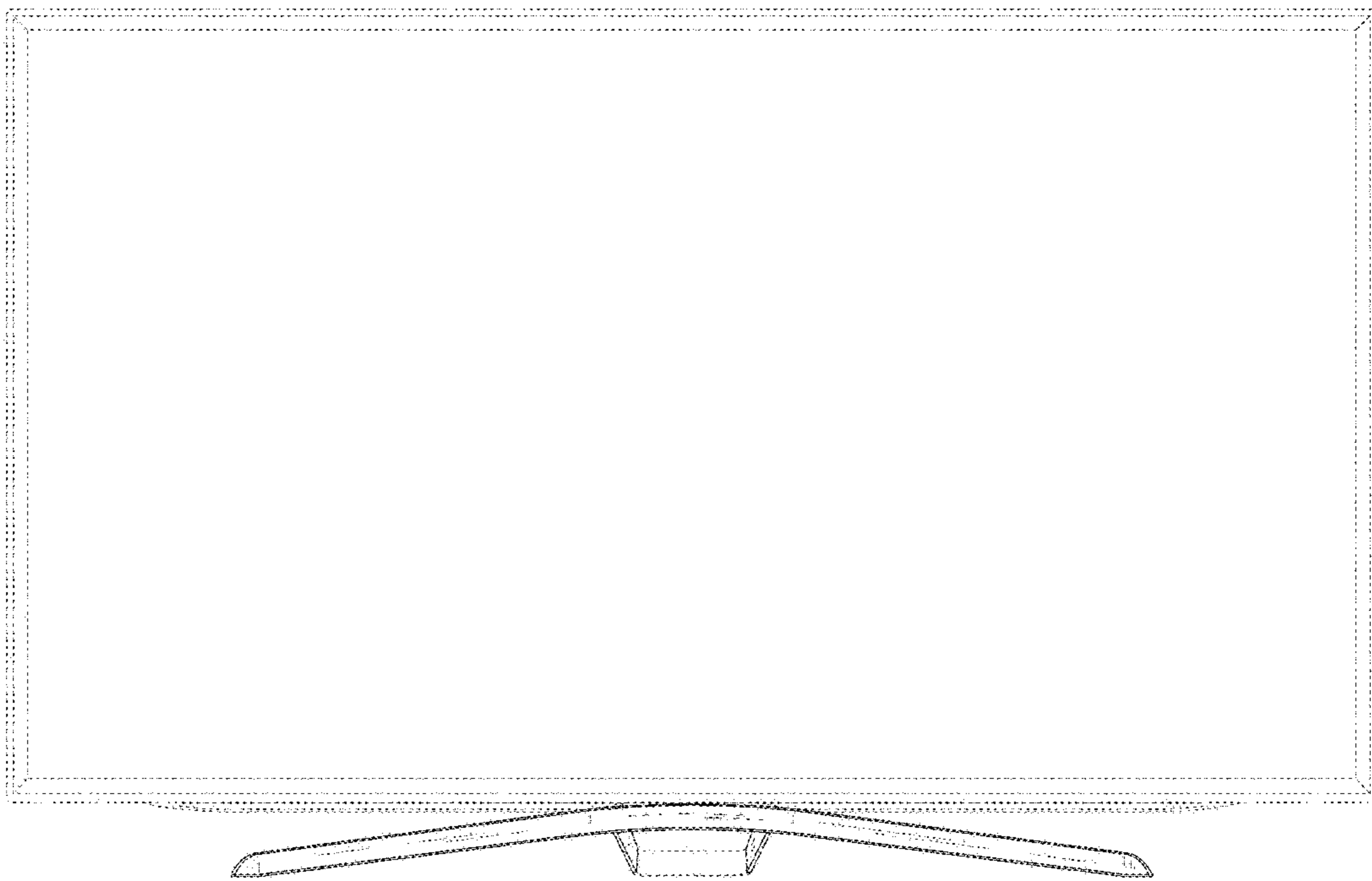


FIG. 3

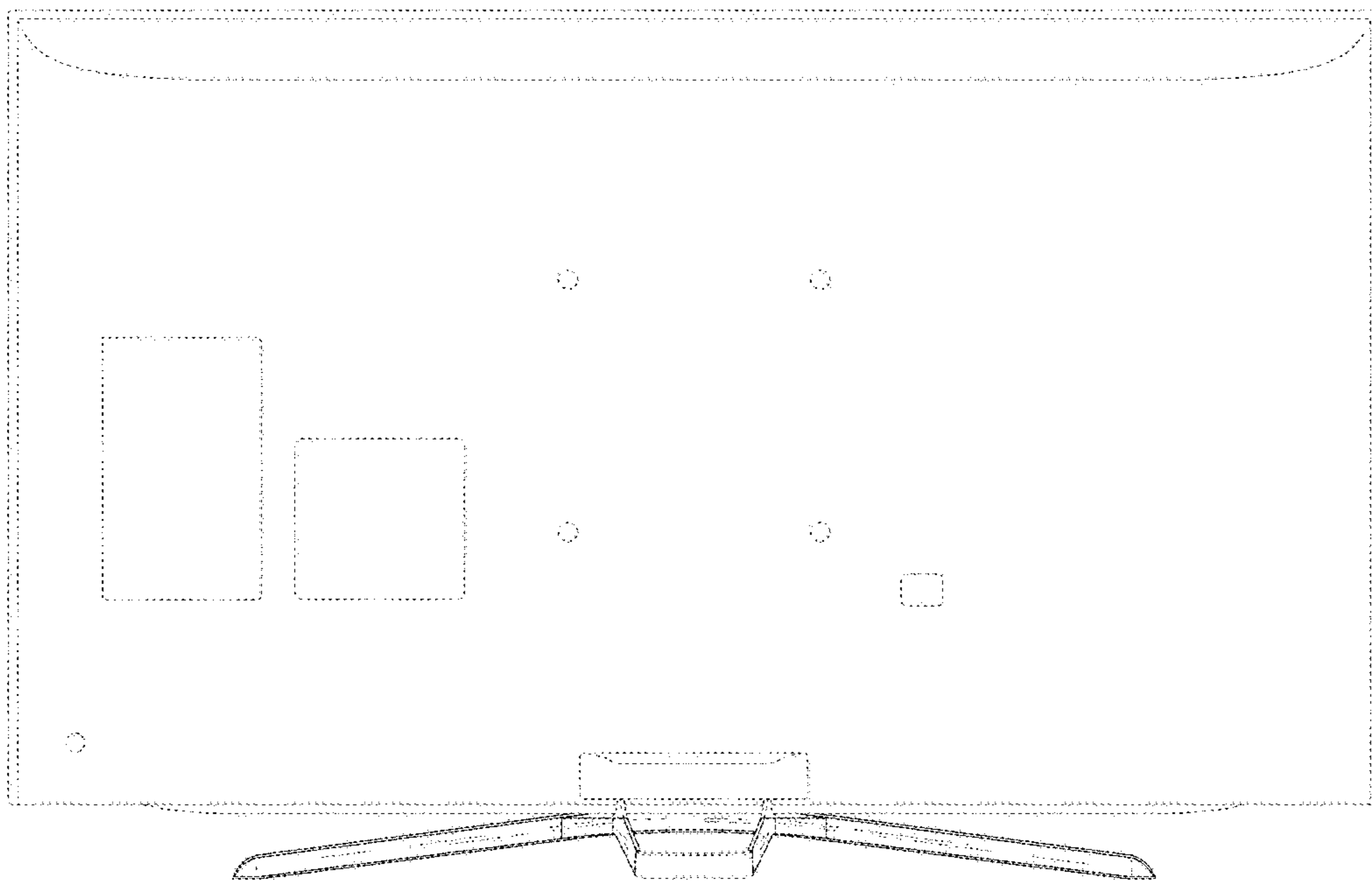


FIG. 4

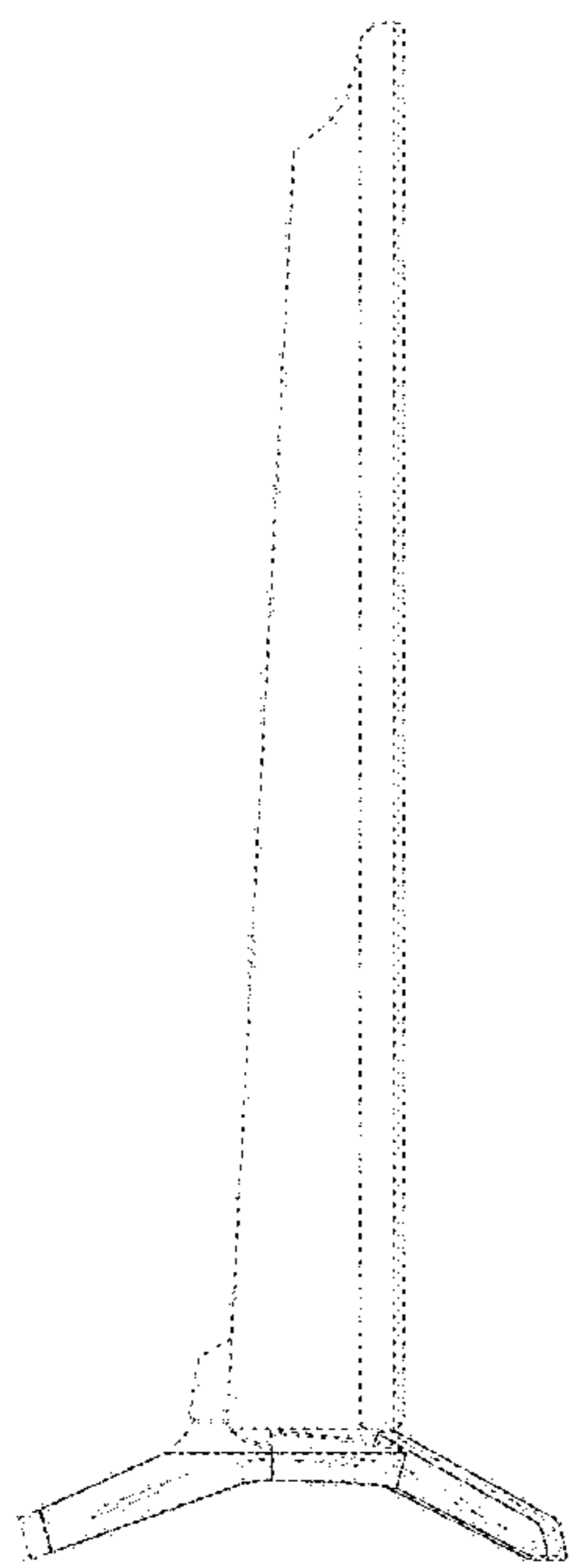


FIG. 5

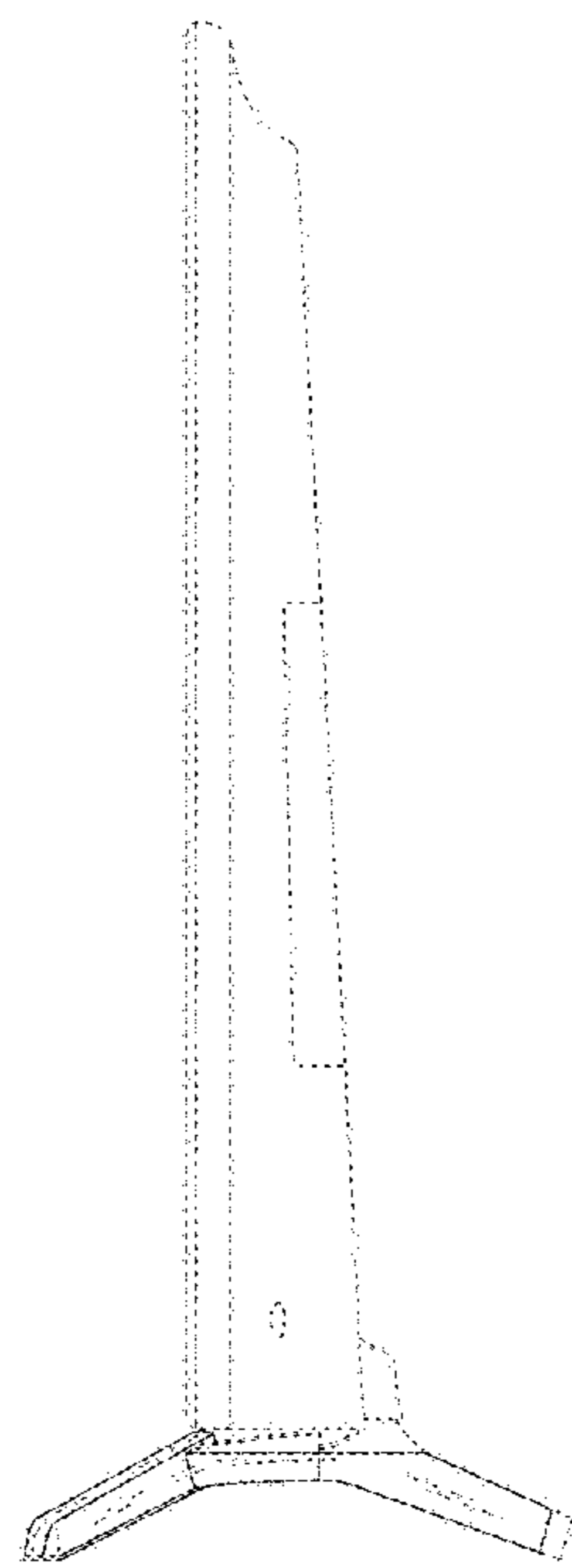


FIG. 6

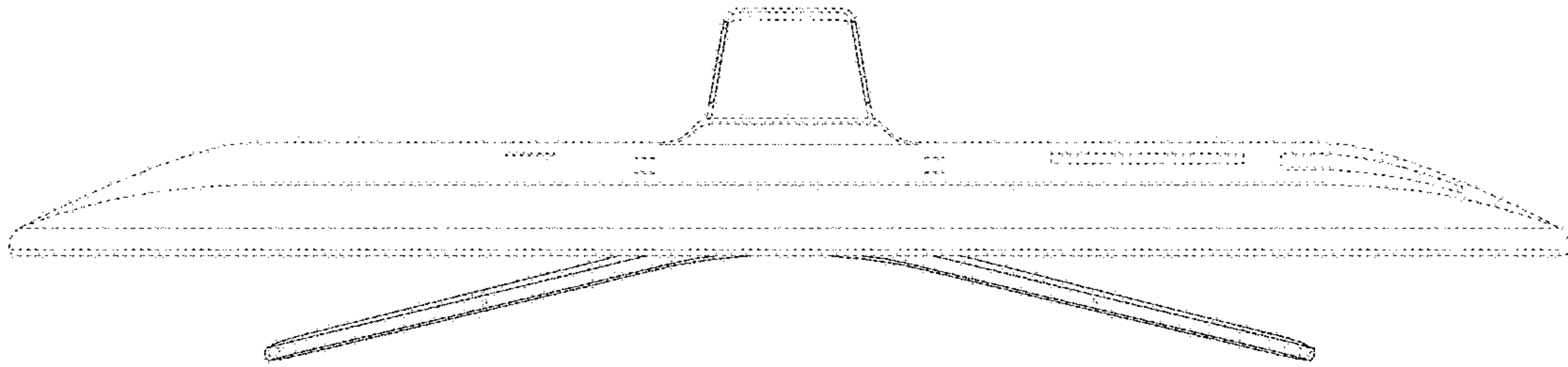


FIG. 7

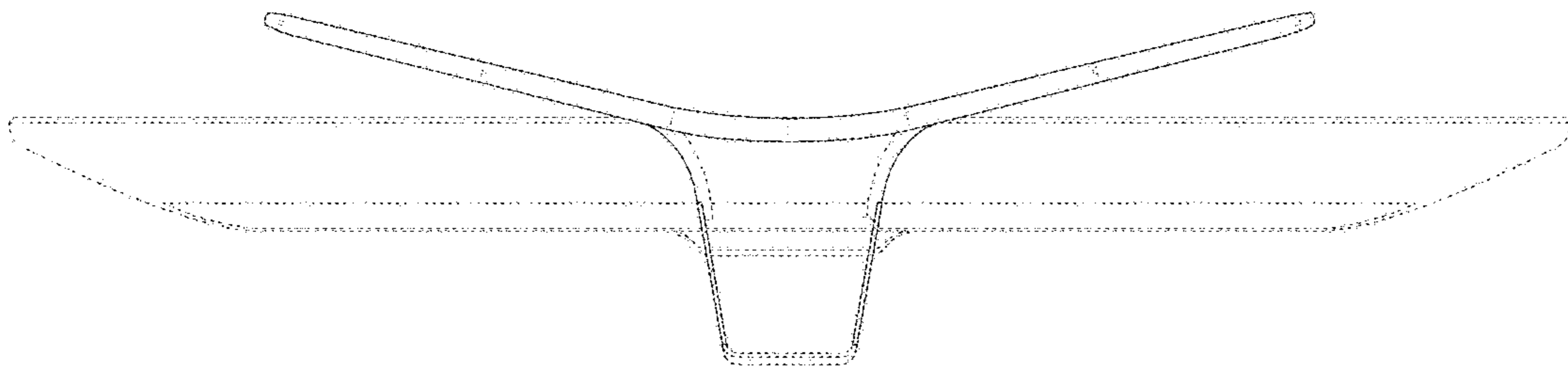


FIG. 8

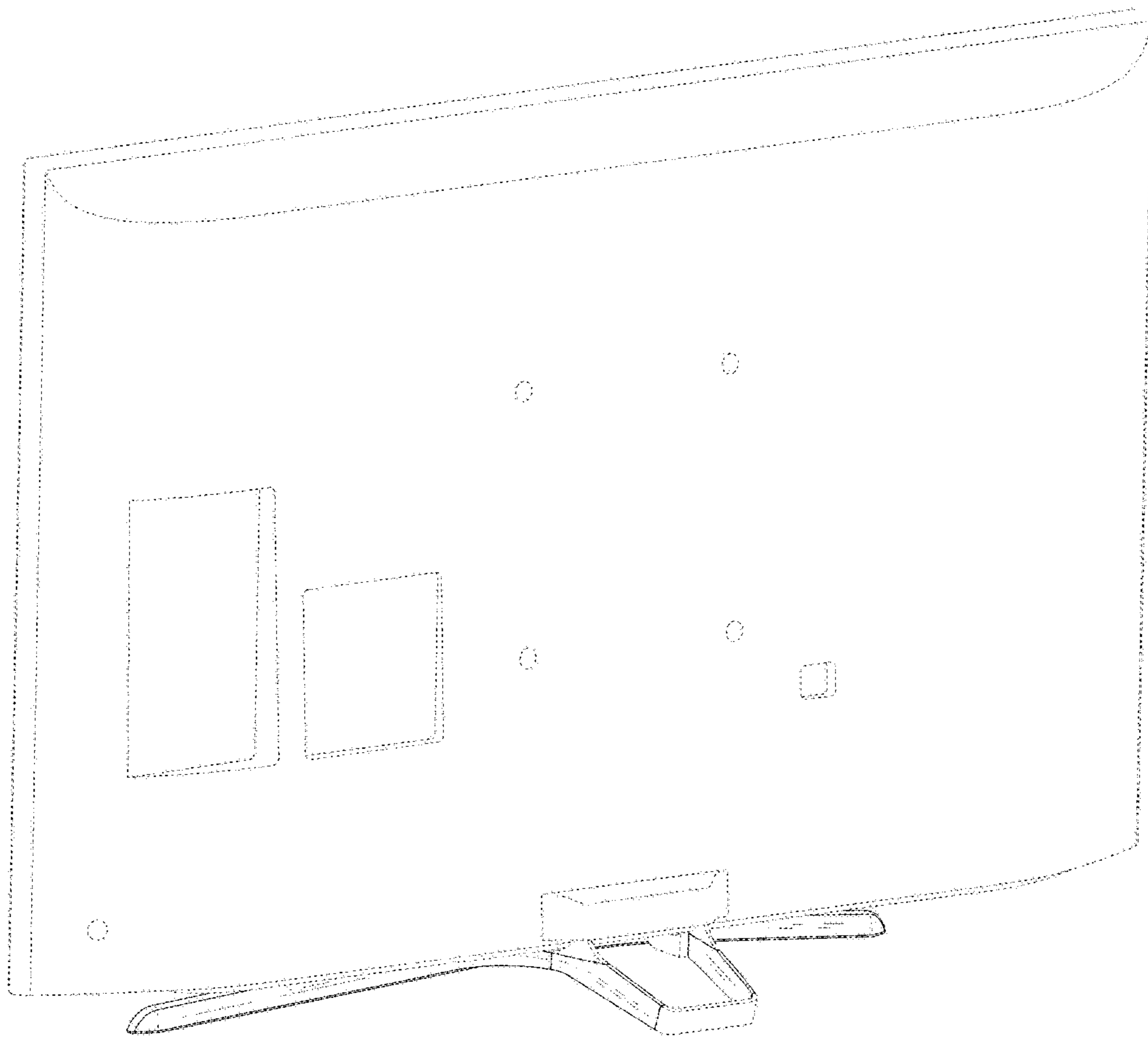


FIG. 9

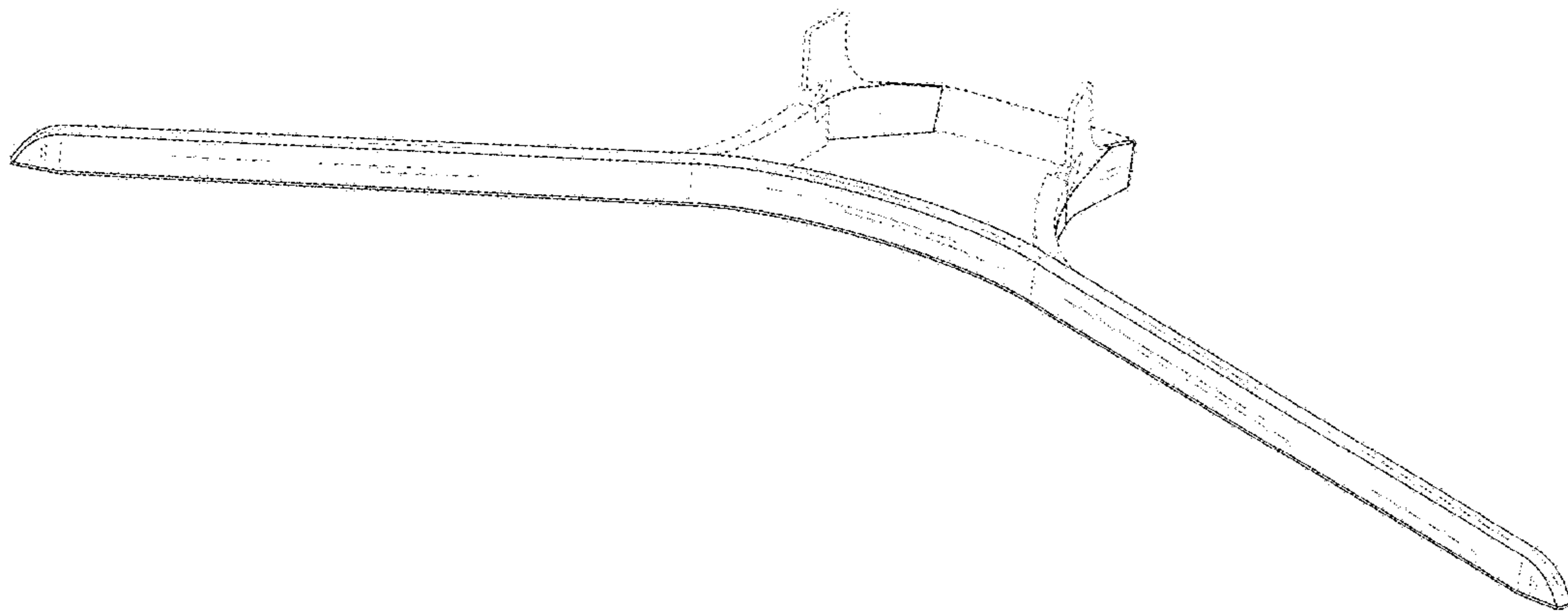




FIG. 10

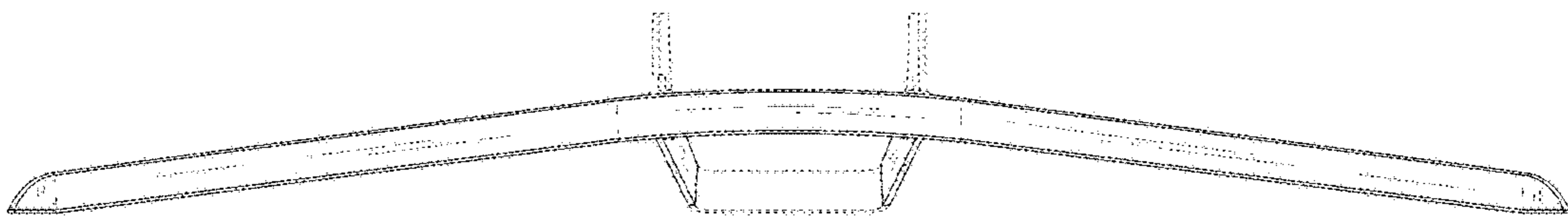


FIG. 11

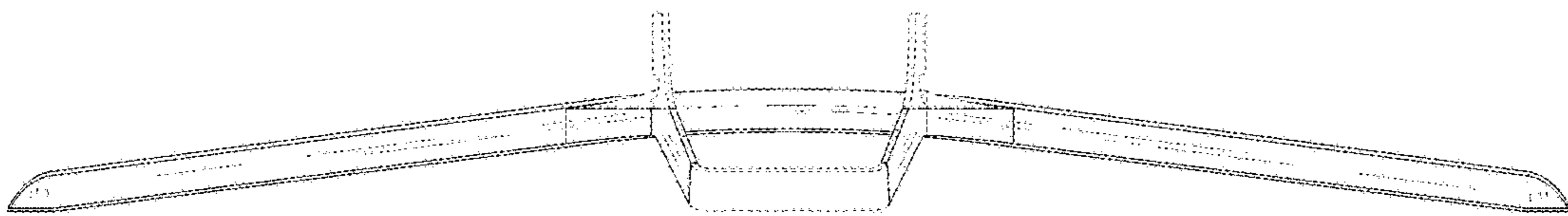


FIG. 12

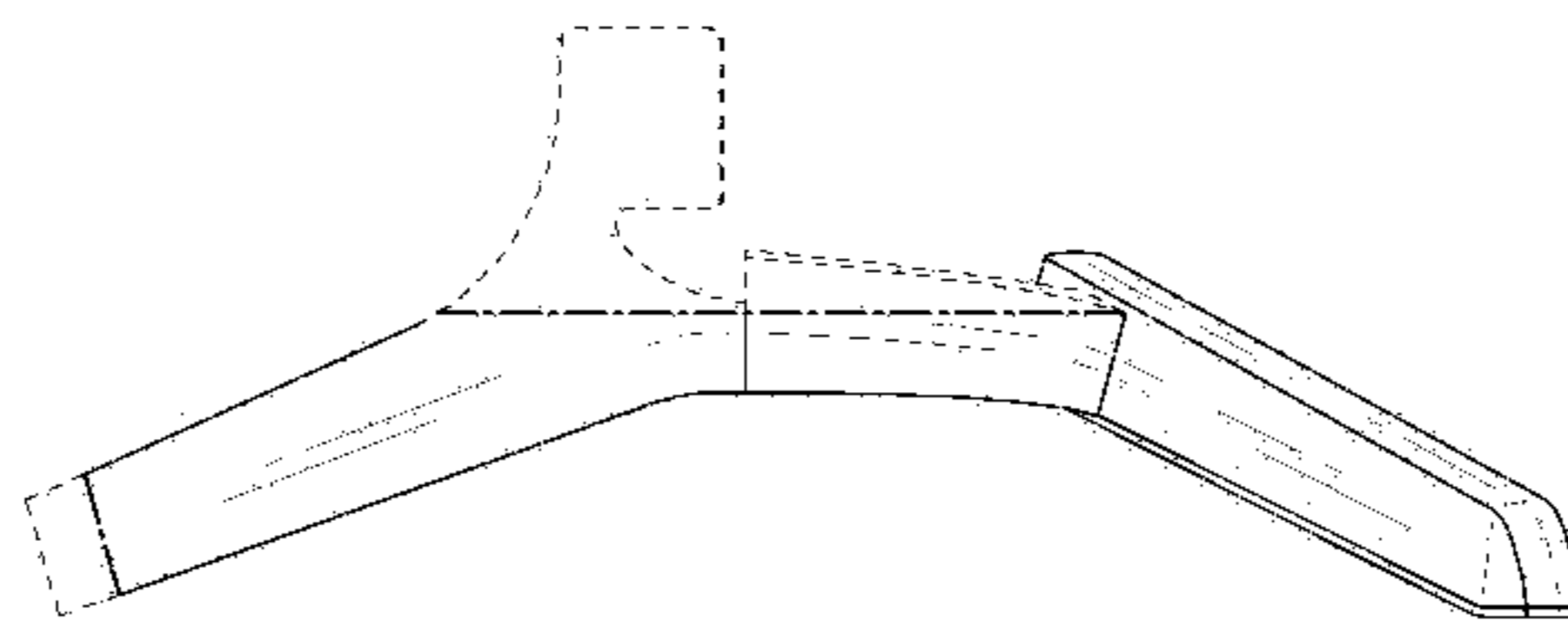


FIG. 13

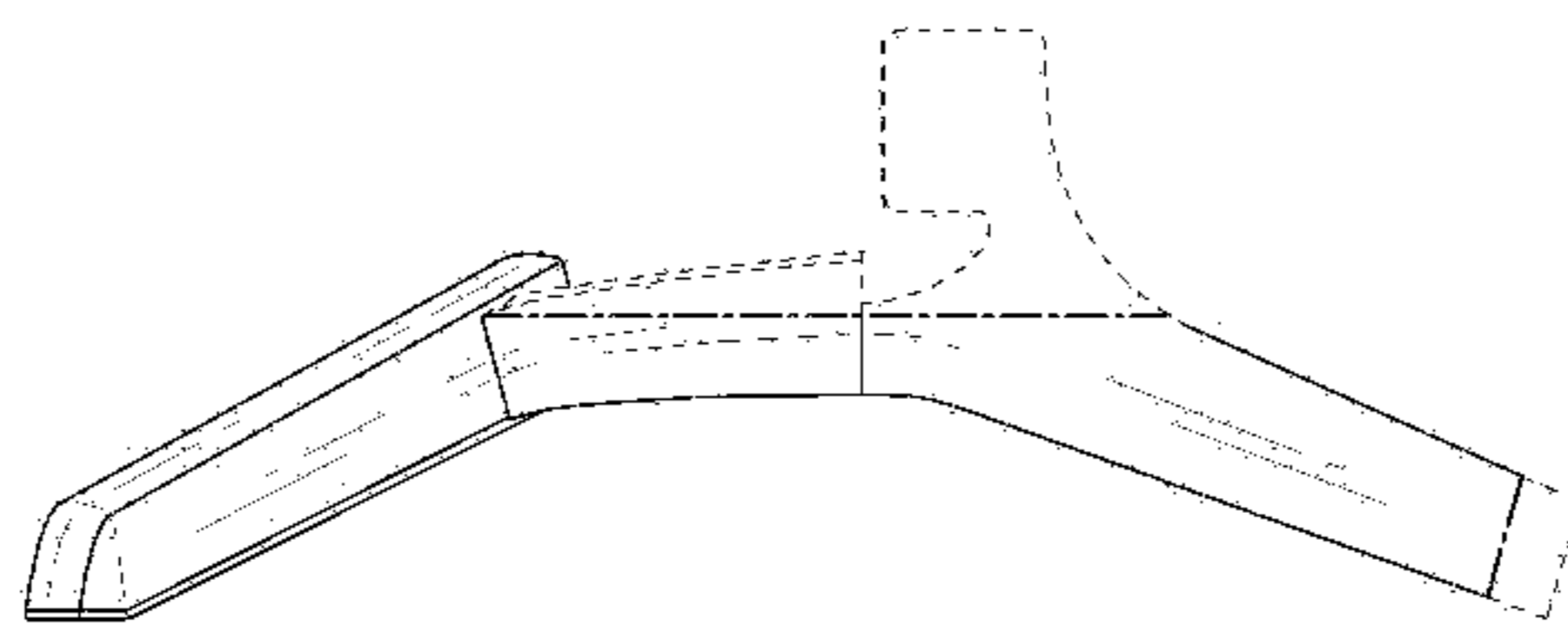


FIG. 14

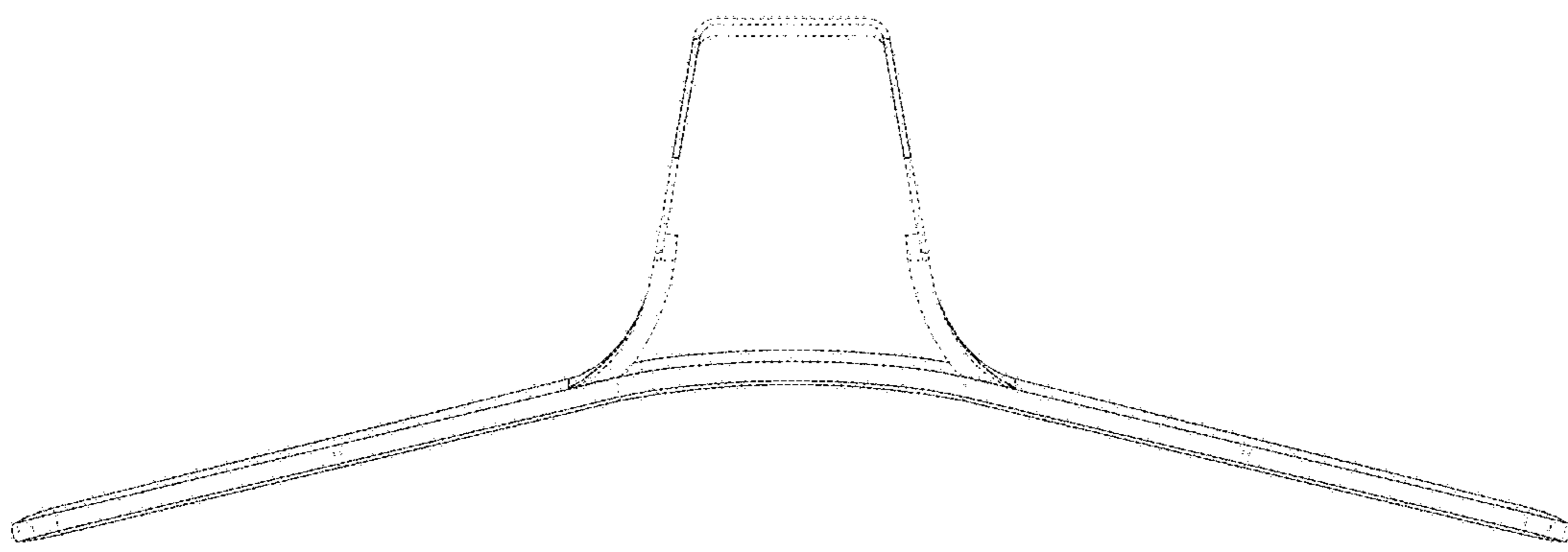


FIG. 15

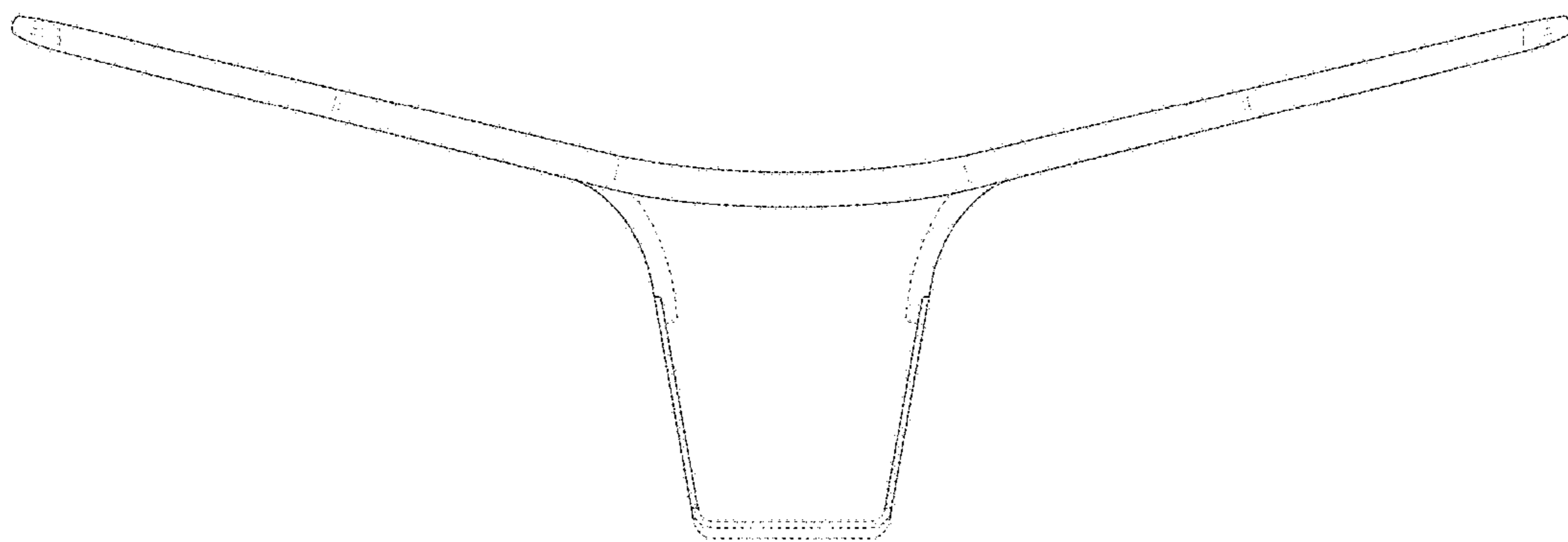


FIG. 16

