



US00D795849S

(12) **United States Design Patent** (10) **Patent No.:** **US D795,849 S**  
**Cho et al.** (45) **Date of Patent:** **\*\* Aug. 29, 2017**

(54) **TELEVISION RECEIVER**

(71) Applicant: **Samsung Electronics Co., Ltd.**,  
Suwon-si (KR)

(72) Inventors: **Chul-Yong Cho**, Seoul (KR);  
**Jae-Neung Lee**, Ahnsan-si (KR)

(73) Assignee: **SAMSUNG ELECTRONICS CO., LTD.**,  
Suwon-si (KR)

(\*\*) Term: **15 Years**

(21) Appl. No.: **29/564,743**

(22) Filed: **May 16, 2016**

(30) **Foreign Application Priority Data**

Nov. 17, 2015 (KR) ..... 30-2015-0057702

(51) **LOC (10) Cl.** ..... **14-03**

(52) **U.S. Cl.**  
USPC ..... **D14/239**

(58) **Field of Classification Search**

USPC ..... D14/125-134, 239, 371, 136, 374-377,  
D14/440, 450, 448, 336, 342, 159;  
312/7.2; 348/836, 838, 180, 184, 325,  
348/739; 248/917-924, 465; 345/104,  
345/133, 156, 168, 87, 173; D21/329,  
D21/515, 577, 622, 333, 433, 448, 452,  
D21/450, 331, 505; D10/15, 26;  
446/484, 175, 356; D6/477, 479, 300;  
D24/185; D34/14

CPC ... G06F 1/1601; G06F 1/1643; H05K 5/0004;  
H05K 5/0017; H05K 5/02; H05K 5/0217

See application file for complete search history.

(56) **References Cited**

**U.S. PATENT DOCUMENTS**

D659,662 S 5/2012 Lv  
D659,663 S 5/2012 Xu

D661,267 S 6/2012 Chen  
D683,337 S \* 5/2013 Kim ..... D14/239  
D717,754 S \* 11/2014 Kim ..... D14/126  
D718,261 S \* 11/2014 Han ..... D14/126

(Continued)

**FOREIGN PATENT DOCUMENTS**

CN 301938983 S 5/2012  
CN 302588835 S 9/2013

*Primary Examiner* — Randall Gholson

(74) *Attorney, Agent, or Firm* — McAndrews Held &  
Malloy, Ltd.

(57) **CLAIM**

The ornamental design for a television receiver, as shown  
and described.

**DESCRIPTION**

FIG. 1 is a front perspective view of a television receiver  
showing our new design and showing an unclaimed televi-  
sion receiver to illustrate example environment;

FIG. 2 is a front elevation view thereof;

FIG. 3 is a rear elevation view thereof;

FIG. 4 is a left-side elevation view thereof;

FIG. 5 is a right-side elevation view thereof;

FIG. 6 is a top plan view thereof;

FIG. 7 is a bottom plan view thereof;

FIG. 8 is a front perspective view of a television receiver  
showing our new design without additional unclaimed envi-  
ronment;

FIG. 9 is a front elevation view thereof;

FIG. 10 is a rear elevation view thereof;

FIG. 11 is a left-side elevation view thereof;

FIG. 12 is a right-side elevation view thereof;

FIG. 13 is a top plan view thereof; and,

FIG. 14 is a bottom plan view thereof.

The even length dashed broken lines in the figures illustrate  
example environment and portions of the television stand  
that form no part of the claimed design.

**1 Claim, 10 Drawing Sheets**



(56)

**References Cited**

U.S. PATENT DOCUMENTS

D718,287 S \* 11/2014 Lee ..... D14/239  
D725,063 S \* 3/2015 Cho ..... D14/126

\* cited by examiner

FIG. 1

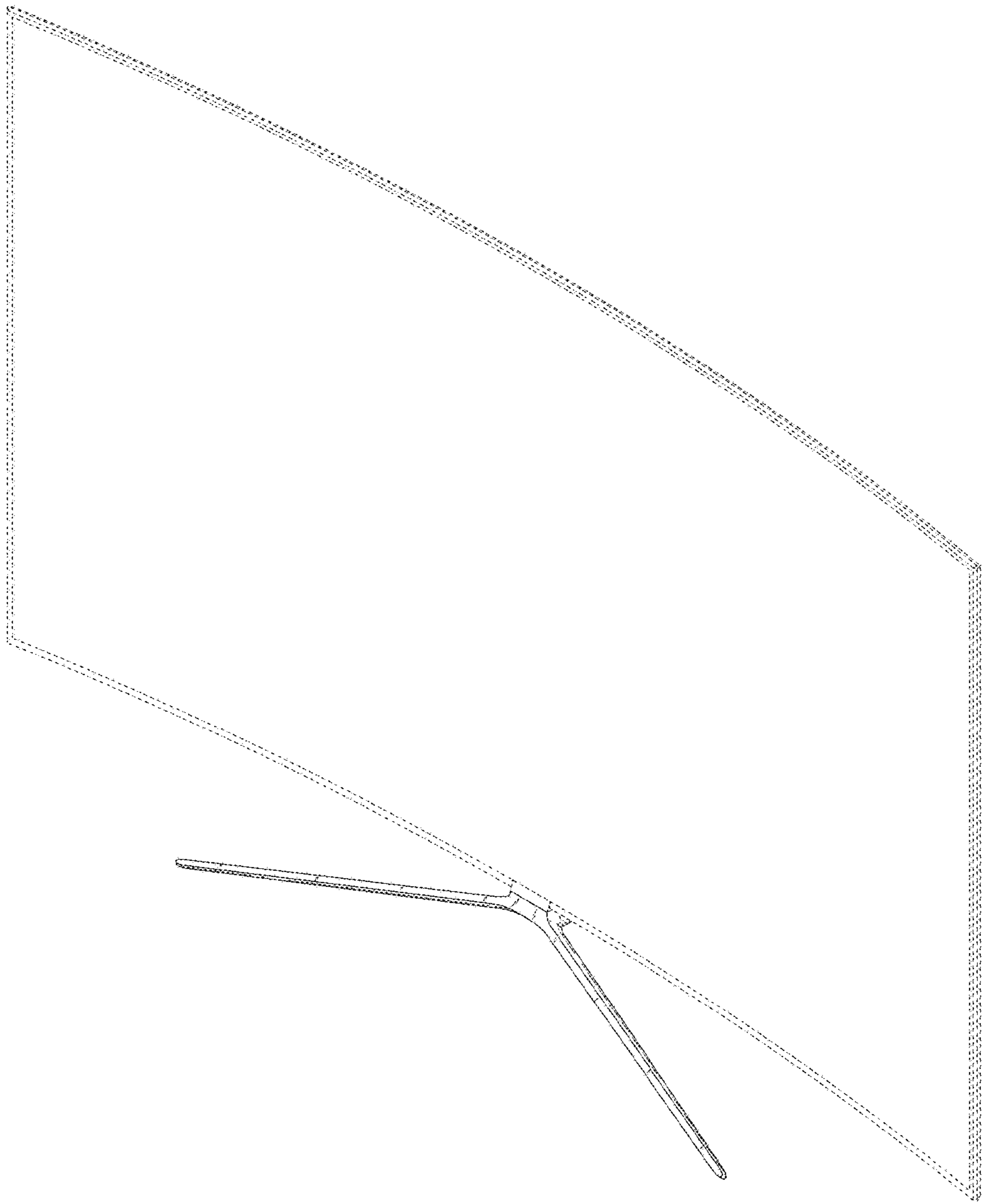


FIG. 2

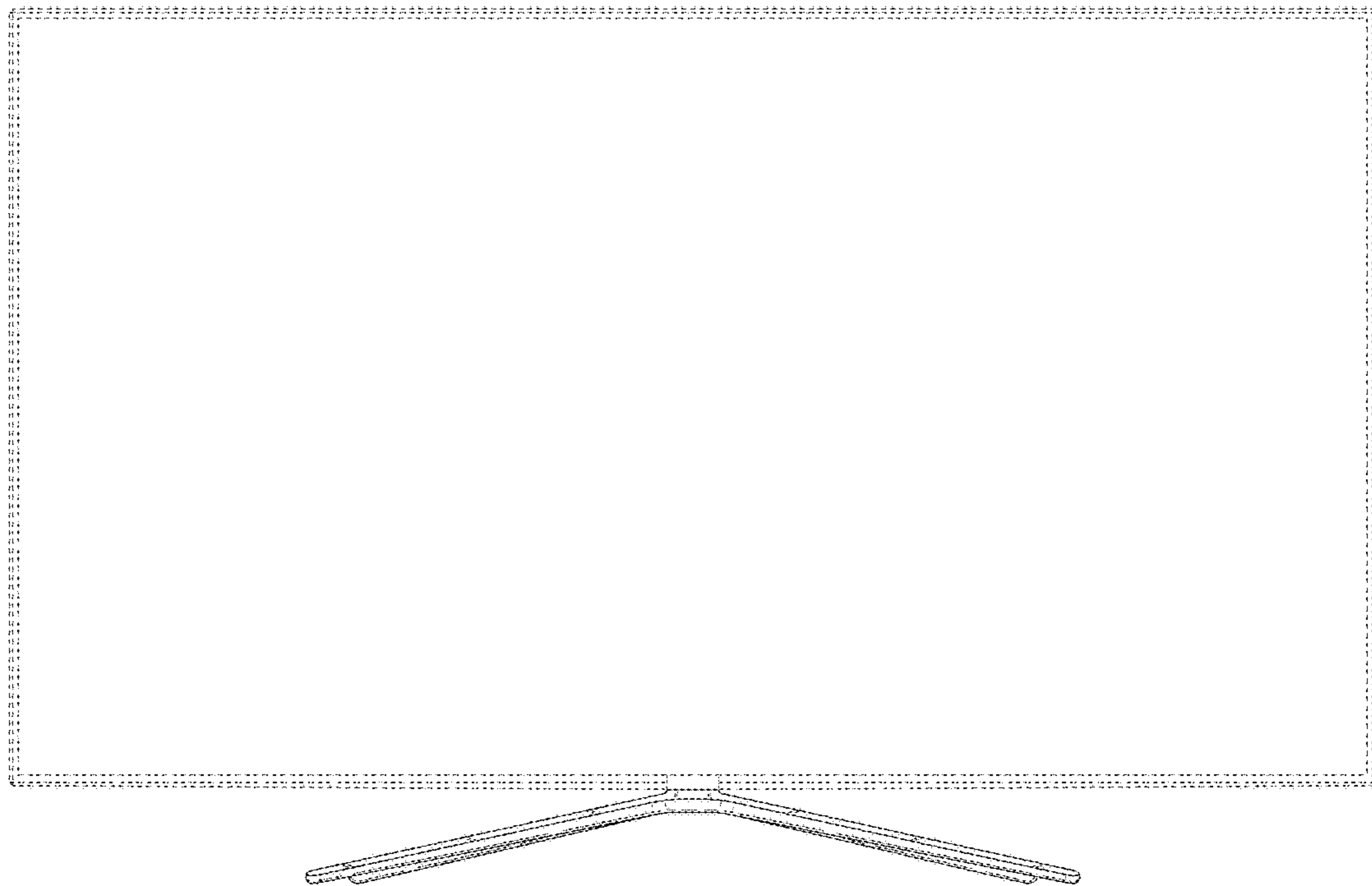


FIG. 3

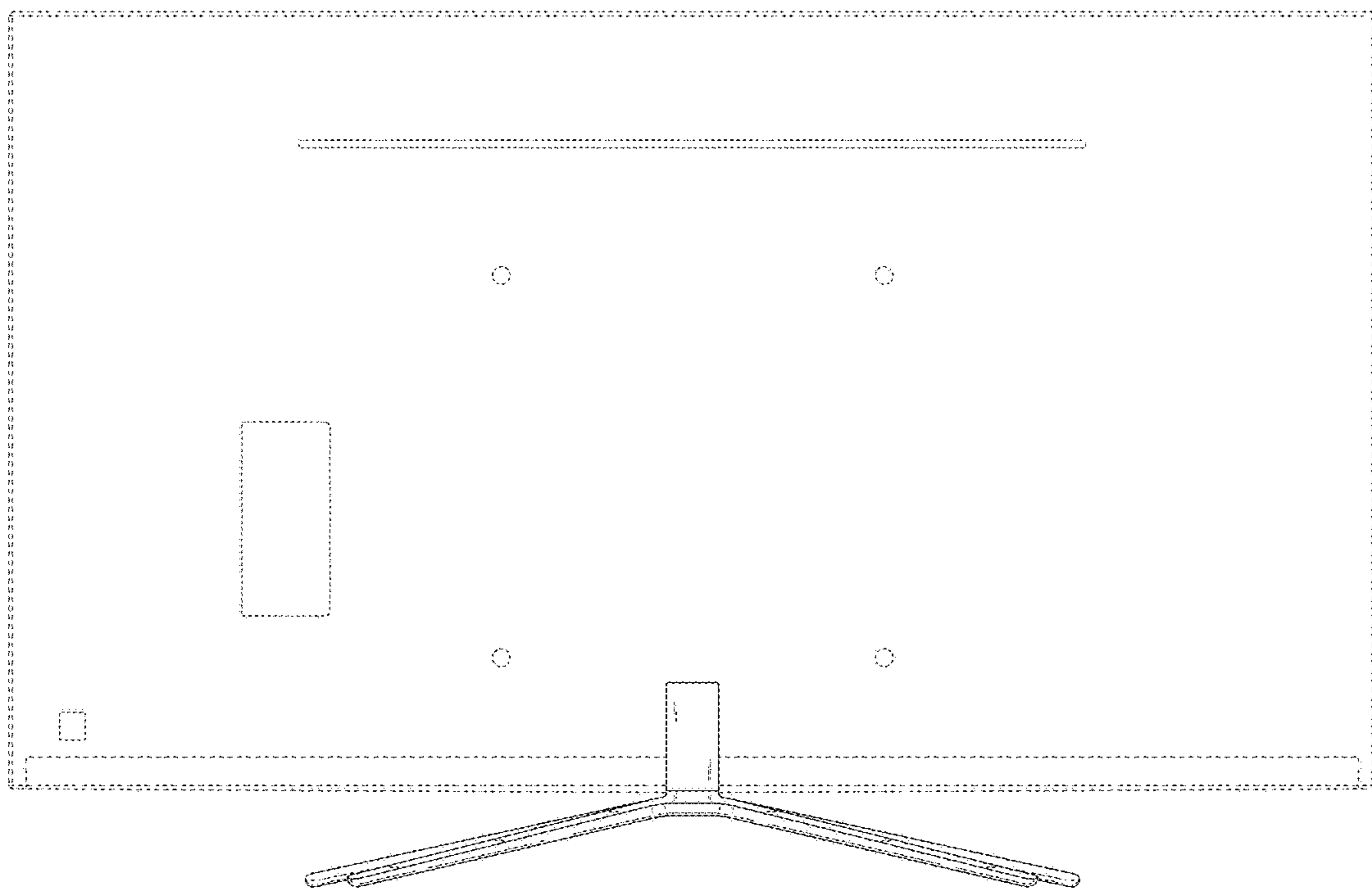


FIG. 4

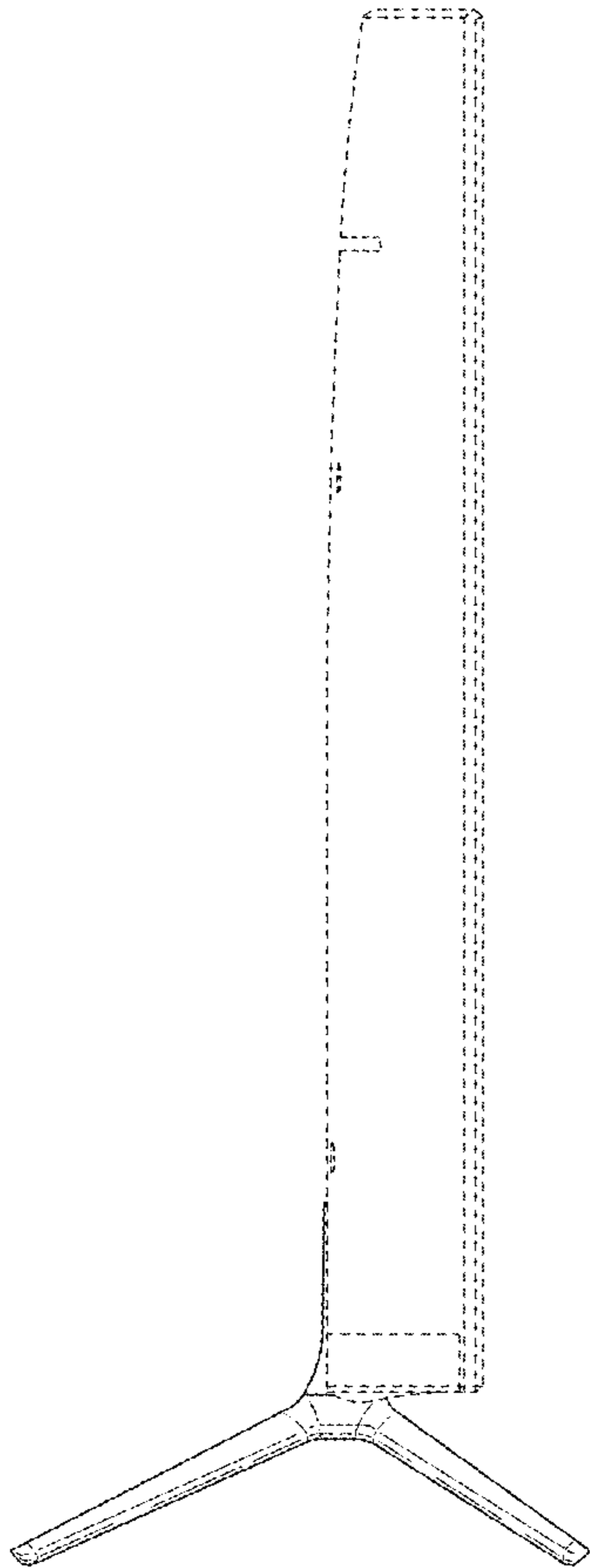


FIG. 5

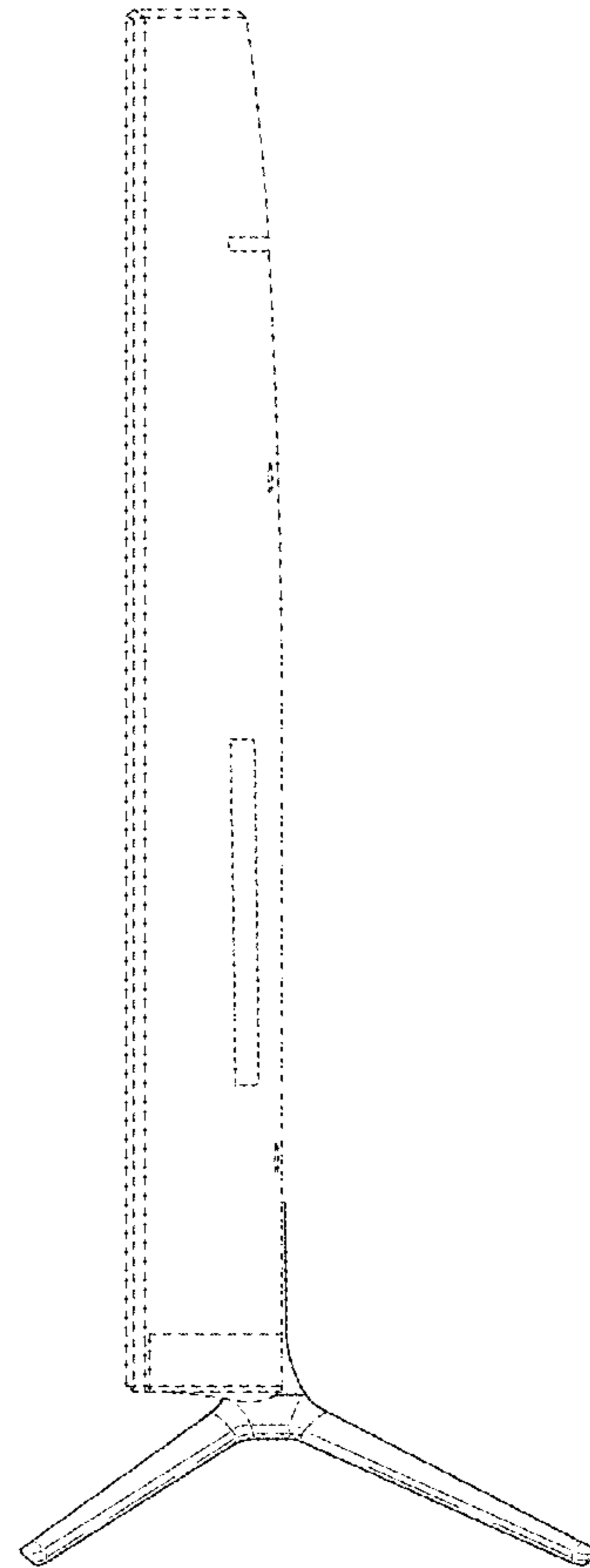


FIG. 6

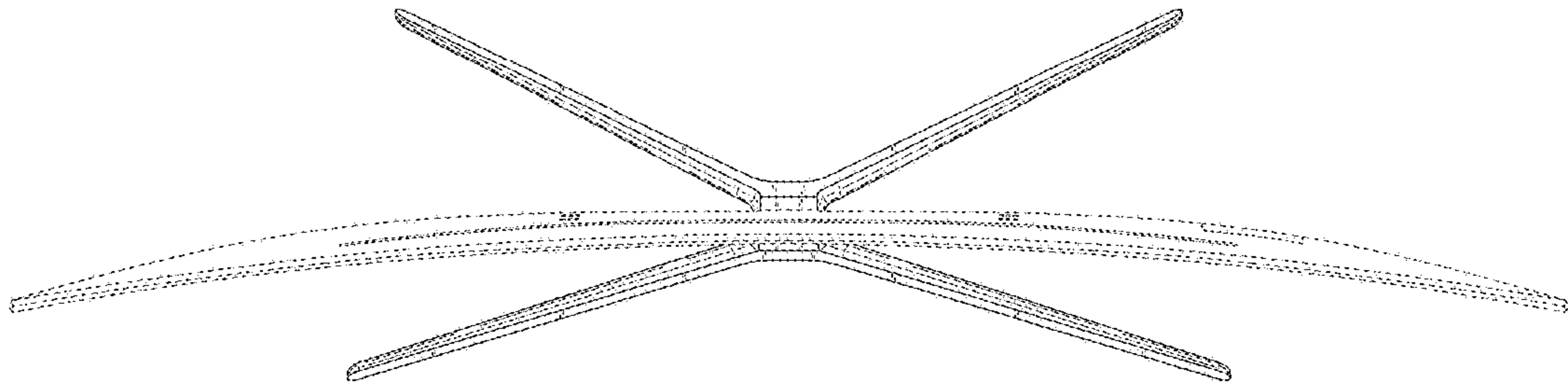


FIG. 7

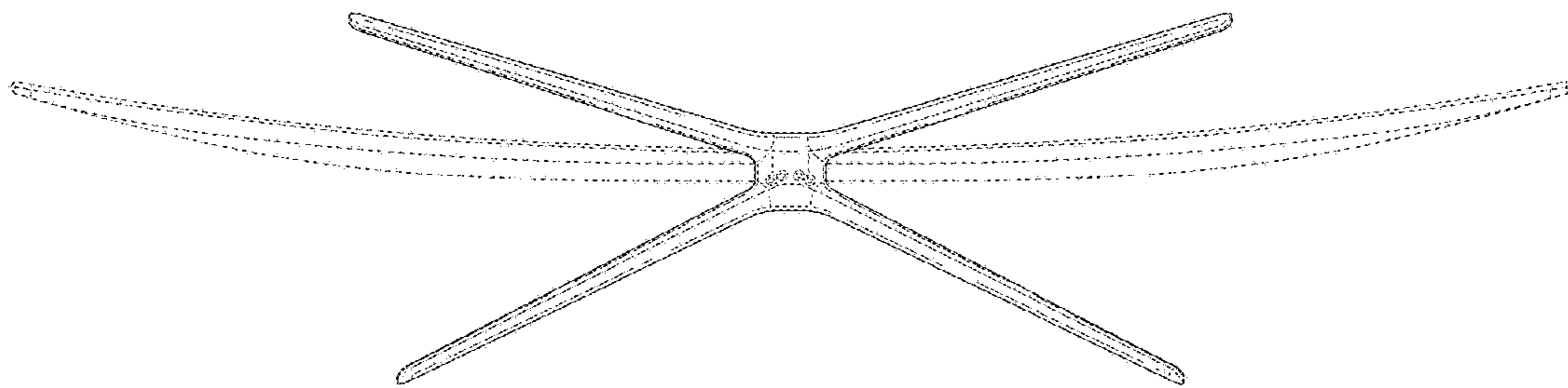


FIG. 8

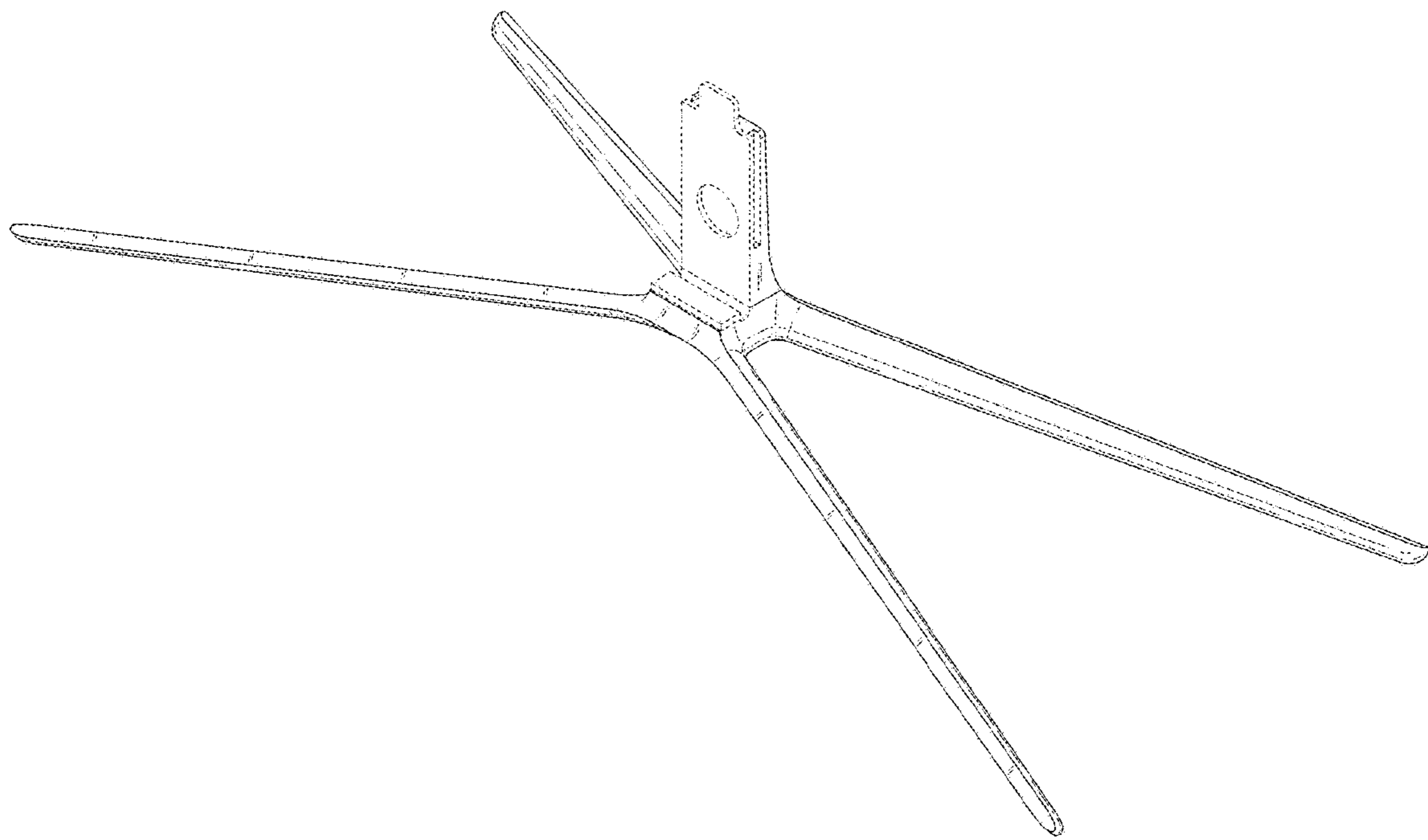




FIG. 9

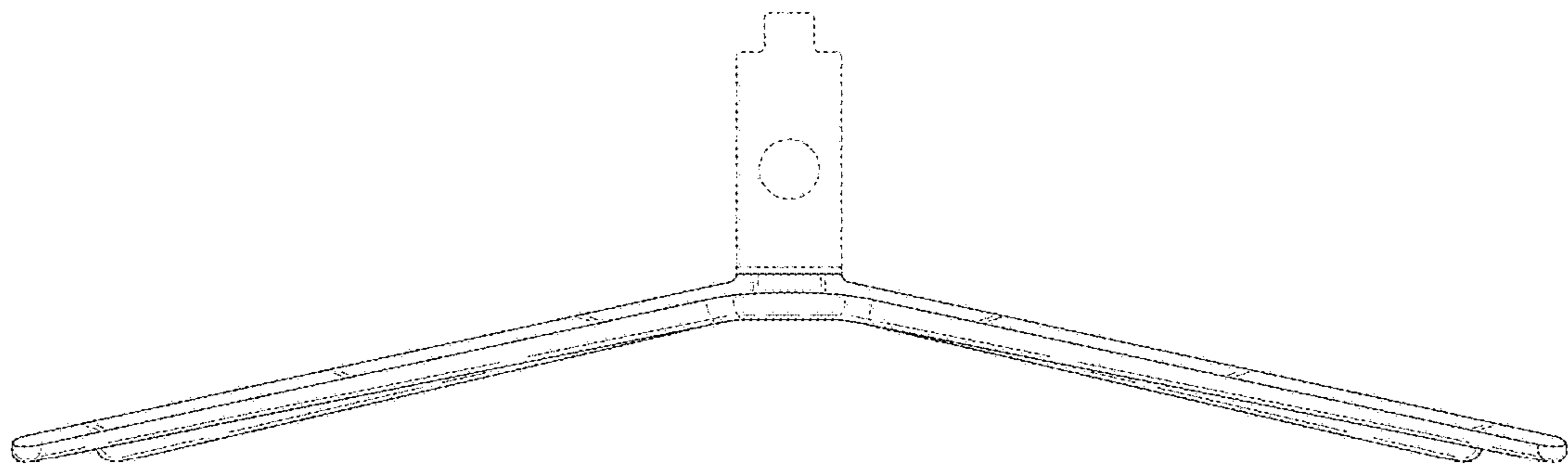


FIG. 10

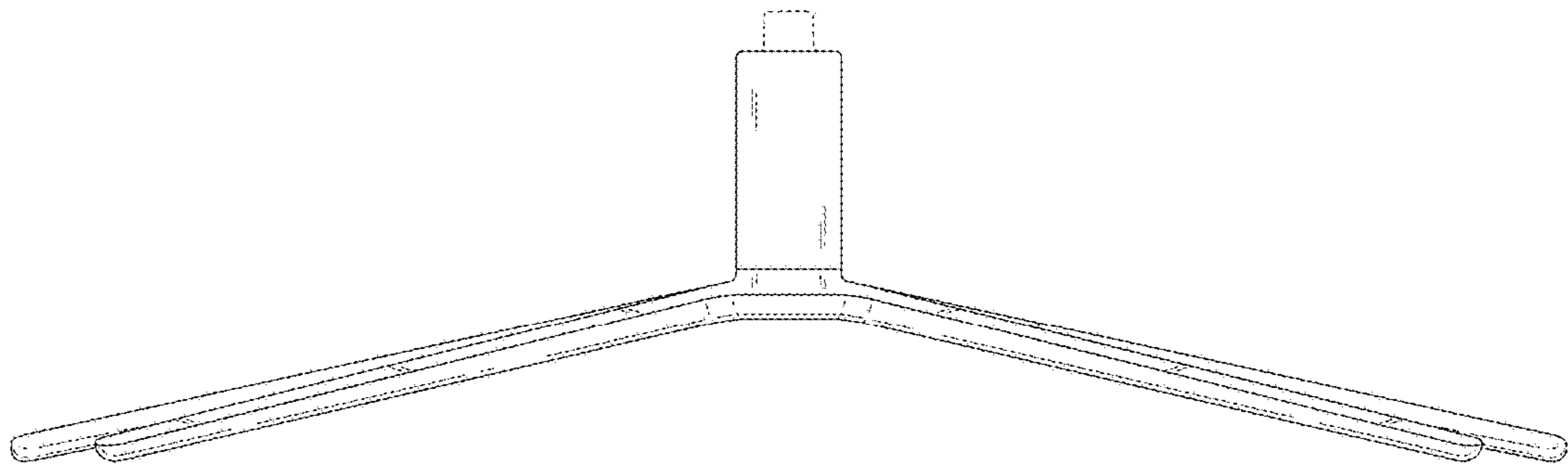


FIG. 11

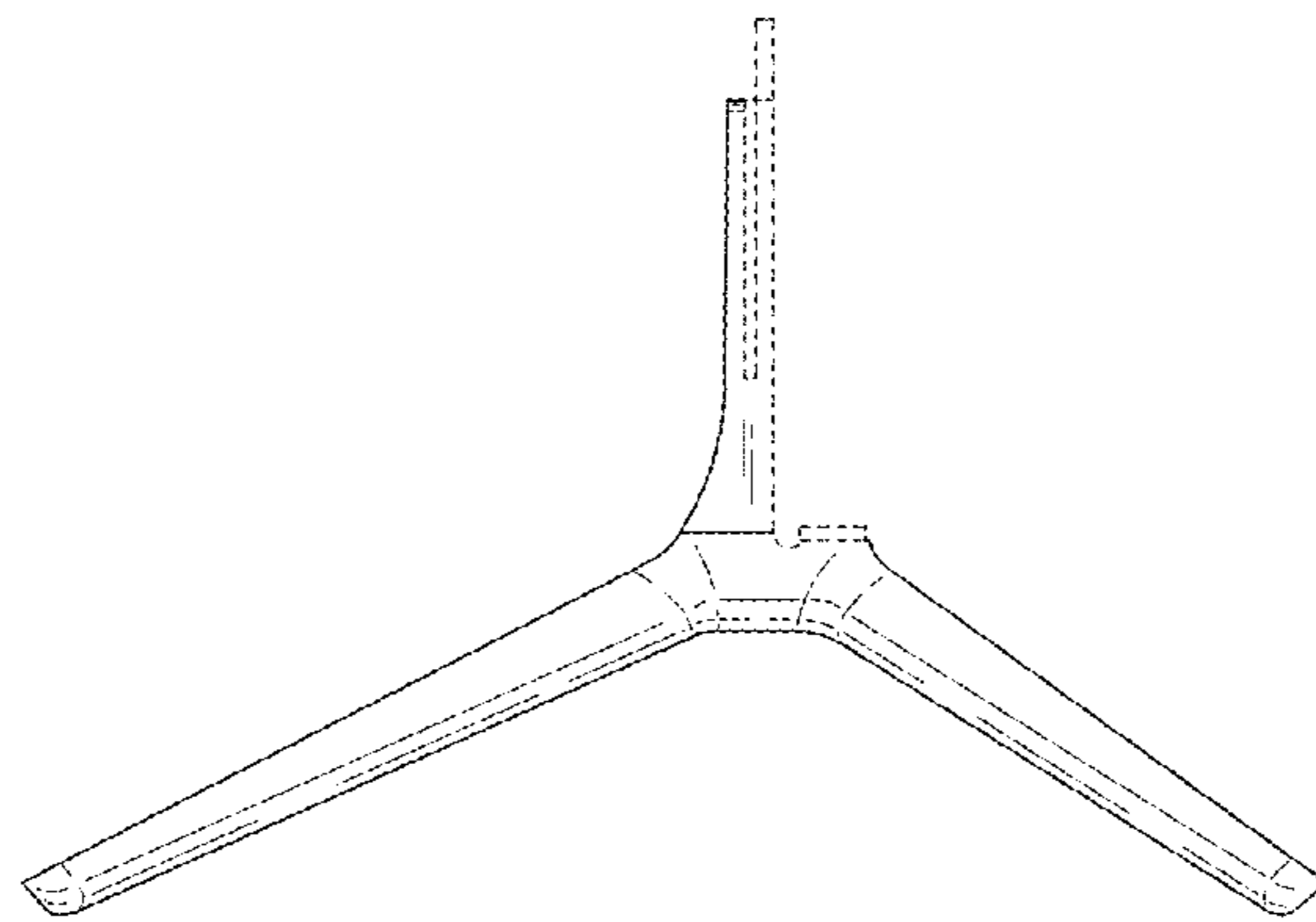


FIG. 12

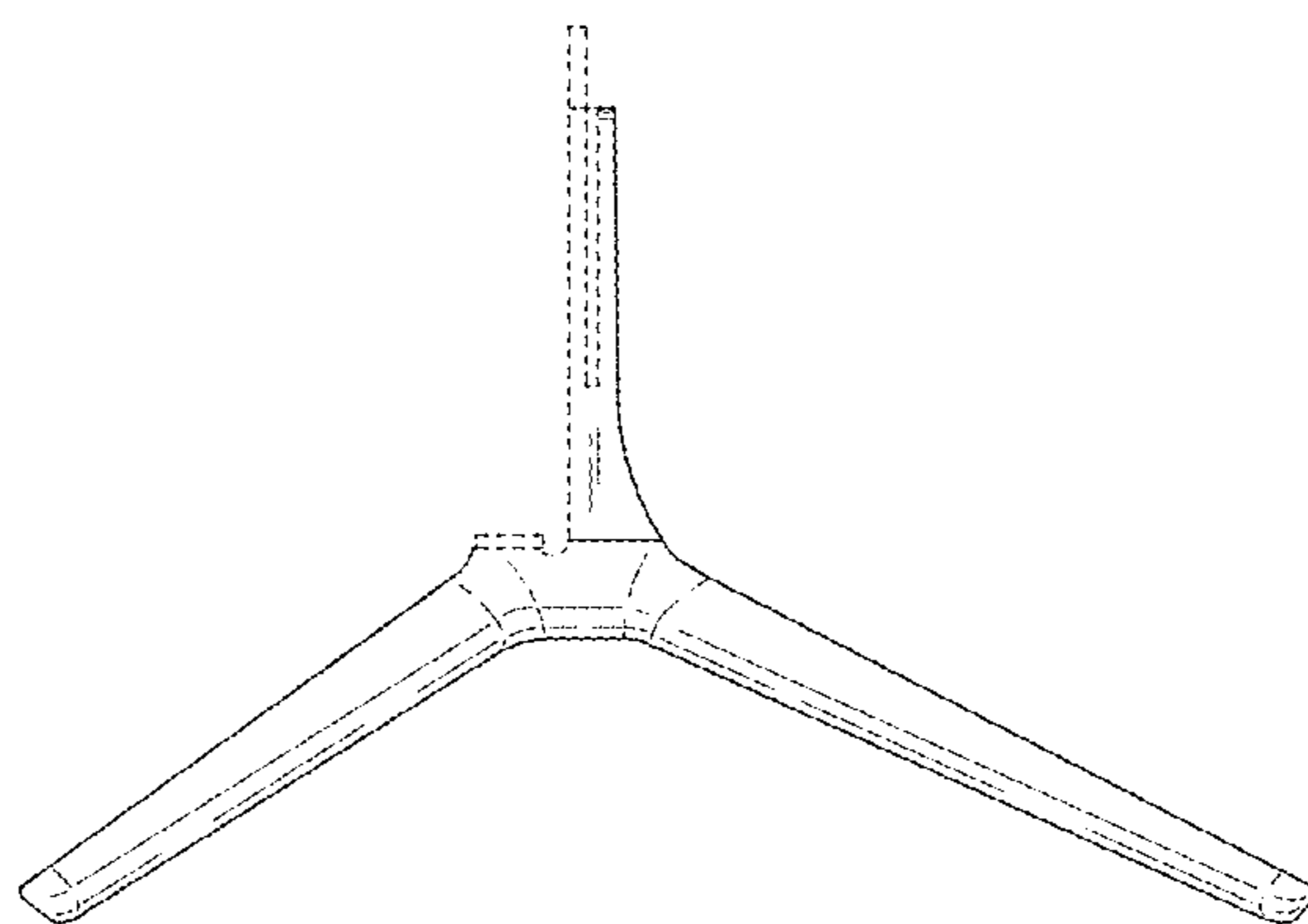


FIG. 13

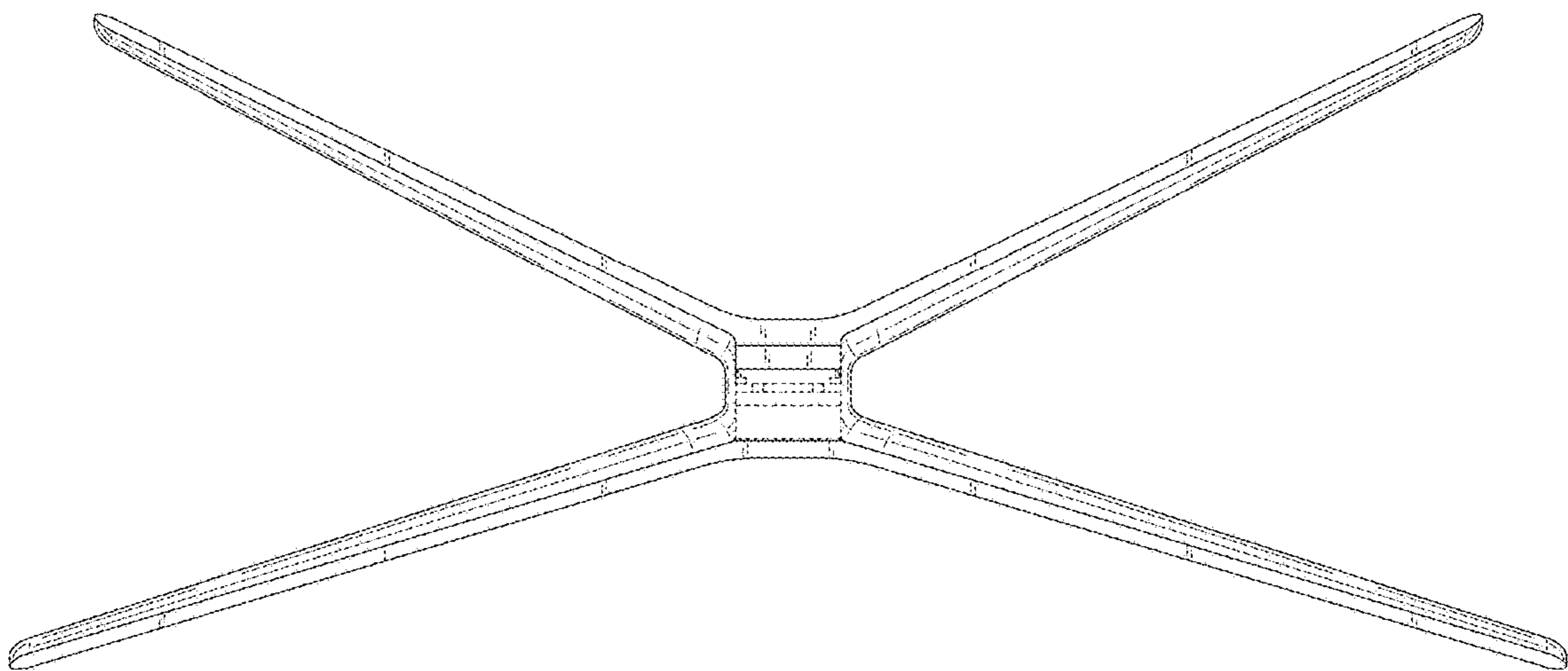


FIG. 14

