



US00D795848S

(12) **United States Design Patent** (10) **Patent No.:** **US D795,848 S**  
**Zheng et al.** (45) **Date of Patent:** **\*\* Aug. 29, 2017**

- (54) **ANTENNA**
- (71) Applicant: **Airgain Incorporated**, San Diego, CA (US)
- (72) Inventors: **Bei Zheng**, Zhang Jia Gang (CN); **Geoff Schulteis**, San Diego, CA (US)
- (73) Assignee: **Airgain Incorporated**, San Diego, CA (US)
- (\*\*) Term: **15 Years**
- (21) Appl. No.: **29/558,024**
- (22) Filed: **Mar. 15, 2016**
- (51) **LOC (10) Cl.** ..... **14-03**
- (52) **U.S. Cl.**  
USPC ..... **D14/230**
- (58) **Field of Classification Search**  
USPC ..... D14/138, 230–238.1, 299, 358; D13/182  
CPC ..... H01L 33/48; H01L 33/486; H01L 23/02;  
H05K 5/00; H01C 13/10  
See application file for complete search history.

- 7,570,215 B2 8/2009 Abramov et al.
- D599,334 S 9/2009 Chiang
- D606,053 S 12/2009 Wu et al.
- D607,442 S 1/2010 Su et al.
- D608,769 S 1/2010 Bufe
- D612,368 S 3/2010 Yang et al.
- 7,705,783 B2 4/2010 Rao et al.
- 7,729,662 B2 6/2010 Abramov et al.
- D621,819 S 8/2010 Tsai et al.
- 7,843,390 B2 11/2010 Liu
- D633,483 S 3/2011 Su et al.
- D635,127 S 3/2011 Tsai et al.
- 7,907,971 B2 3/2011 Salo et al.
- D635,560 S 4/2011 Tsai et al.
- D635,963 S 4/2011 Podduturi
- D635,964 S 4/2011 Podduturi
- D635,965 S 4/2011 Mi et al.

(Continued)

(56) **References Cited**

**U.S. PATENT DOCUMENTS**

- 7,061,437 B2 6/2006 Lin et al.
- 7,148,849 B2 12/2006 Lin
- 7,215,296 B2 5/2007 Abramov et al.
- D546,821 S 7/2007 Oliver
- D549,696 S 8/2007 Oshima et al.
- 7,333,067 B2\* 2/2008 Hung ..... H01Q 1/36  
343/700 MS
- 7,336,959 B2 2/2008 Khitrik et al.
- D573,589 S 7/2008 Montgomery et al.
- 7,405,704 B1 7/2008 Lin et al.
- 7,477,195 B2 1/2009 Vance
- 7,489,278 B2\* 2/2009 Huang ..... H01Q 9/0421  
343/700 MS
- D588,115 S \* 3/2009 Yoshioka ..... D14/230
- D592,195 S 5/2009 Wu et al.

**OTHER PUBLICATIONS**

- <http://airgain.com/our-services/embedded-antennas/>—Retrieved Jan. 4, 2017.\*
- <http://www.airgain.com/ultra-M1920T>—Retrieved Jun. 20, 2016.\*

*Primary Examiner* — Manpreet Matharu  
*Assistant Examiner* — Mojtaba Tehrani  
 (74) *Attorney, Agent, or Firm* — Clause Eight IPS;  
 Michael Catania

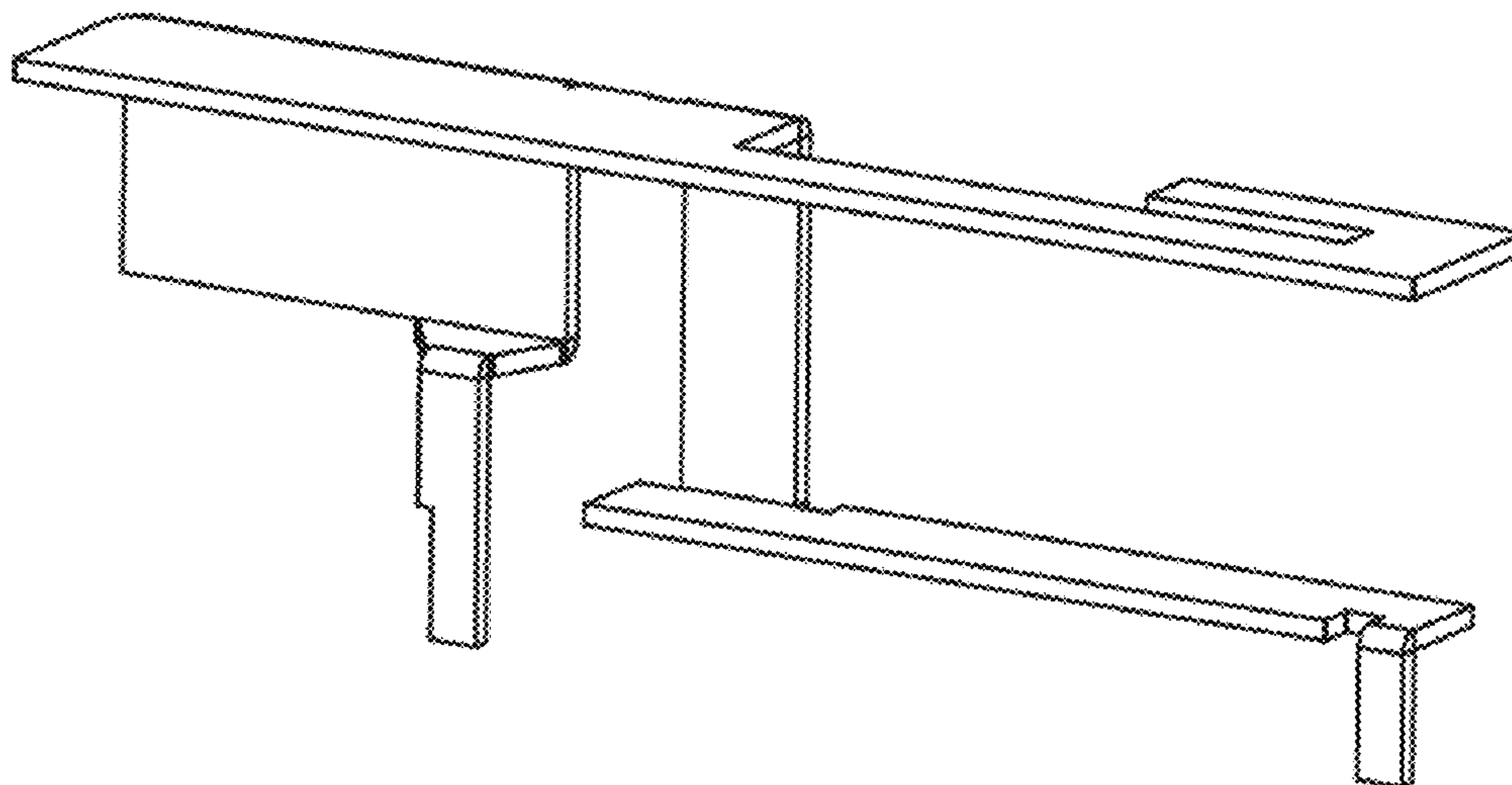
(57) **CLAIM**

The ornamental design for an antenna, as shown and described.

**DESCRIPTION**

FIG. 1 is a top perspective view of an antenna, showing our new design;  
 FIG. 2 is a top plan view thereof;  
 FIG. 3 is a front elevation view thereof;  
 FIG. 4 is a bottom plan view thereof; and,  
 FIG. 5 is a side elevation view thereof.

**1 Claim, 2 Drawing Sheets**



(56)

References Cited

U.S. PATENT DOCUMENTS

D636,382 S	4/2011	Podduturi			
7,965,242 B2	6/2011	Abramov et al.			
D649,962 S	12/2011	Tseng et al.			
D651,198 S	12/2011	Mi et al.			
D654,059 S	2/2012	Mi et al.			
D654,060 S	2/2012	Ko et al.			
D658,639 S	5/2012	Huang et al.			
D659,129 S	5/2012	Mi et al.			
D659,685 S	5/2012	Huang et al.			
D659,688 S	5/2012	Huang et al.			
8,175,036 B2	5/2012	Visuri et al.			
8,184,601 B2	5/2012	Abramov et al.			
D662,916 S	7/2012	Huang et al.			
8,248,970 B2	8/2012	Abramov et al.			
D671,097 S	11/2012	Mi et al.			
8,310,402 B2	11/2012	Yang			
D676,429 S	2/2013	Gosalia et al.			
D678,255 S	3/2013	Ko et al.			
8,423,084 B2	4/2013	Abramov et al.			
D684,565 S	6/2013	Wei			
D685,352 S	7/2013	Wei			
D685,772 S	7/2013	Zheng et al.			
D686,600 S	7/2013	Yang			
D689,474 S	9/2013	Yang et al.			
D692,870 S	11/2013	He			
D694,738 S *	12/2013	Yang	.....	D14/230	
D695,279 S	12/2013	Yang et al.			
D695,280 S	12/2013	Yang et al.			
D703,195 S	4/2014	Zheng			
D703,196 S	4/2014	Zheng			
8,736,494 B2 *	5/2014	Huang	.....	H01Q 9/0421 343/700 MS	
D706,247 S	6/2014	Zheng et al.			
D706,750 S	6/2014	Bringuir			
D706,751 S	6/2014	Chang et al.			
D708,602 S	7/2014	Gosalia et al.			
D709,053 S	7/2014	Chang et al.			
D710,832 S	8/2014	Yang			
D710,833 S	8/2014	Zheng et al.			
8,854,265 B1	10/2014	Yang et al.			
D716,775 S	11/2014	Bidermann			
D765,062 S *	8/2016	Zheng	.....	D14/230	
D768,116 S *	10/2016	Zheng	.....	D14/230	
D778,882 S *	2/2017	Zheng	.....	D14/230	
D778,883 S *	2/2017	Zheng	.....	D14/230	
2002/0003499 A1	1/2002	Kouam et al.			
2004/0222936 A1	11/2004	Hung et al.			
2005/0073462 A1	4/2005	Lin et al.			
2005/0128151 A1 *	6/2005	Kwak	.....	H01Q 1/243 343/702	
2005/0190108 A1	9/2005	Lin et al.			
2005/0259024 A1 *	11/2005	Hung	.....	H01Q 1/36 343/770	
2006/0208900 A1	9/2006	Tavassoli Hozouri			
2007/0030203 A1	2/2007	Tsai et al.			
2008/0150829 A1	6/2008	Lin et al.			
2009/0002244 A1	1/2009	Woo			
2009/0058739 A1	3/2009	Konishi			
2009/0135072 A1	5/2009	Ke et al.			
2009/0262028 A1	10/2009	Mumbru et al.			
2010/0188297 A1	7/2010	Chen et al.			
2010/0309067 A1	12/2010	Tsou et al.			
2011/0006950 A1	1/2011	Park et al.			
2011/0175794 A1 *	7/2011	Tai	.....	H01Q 9/0421 343/908	
2011/0193759 A1 *	8/2011	You	.....	H01Q 1/243 343/770	
2012/0038514 A1	2/2012	Bang			
2012/0229348 A1	9/2012	Chiang			
2012/0229360 A1 *	9/2012	Jagielski	.....	H01Q 9/30 343/860	
2012/0242546 A1	9/2012	Hu et al.			

\* cited by examiner

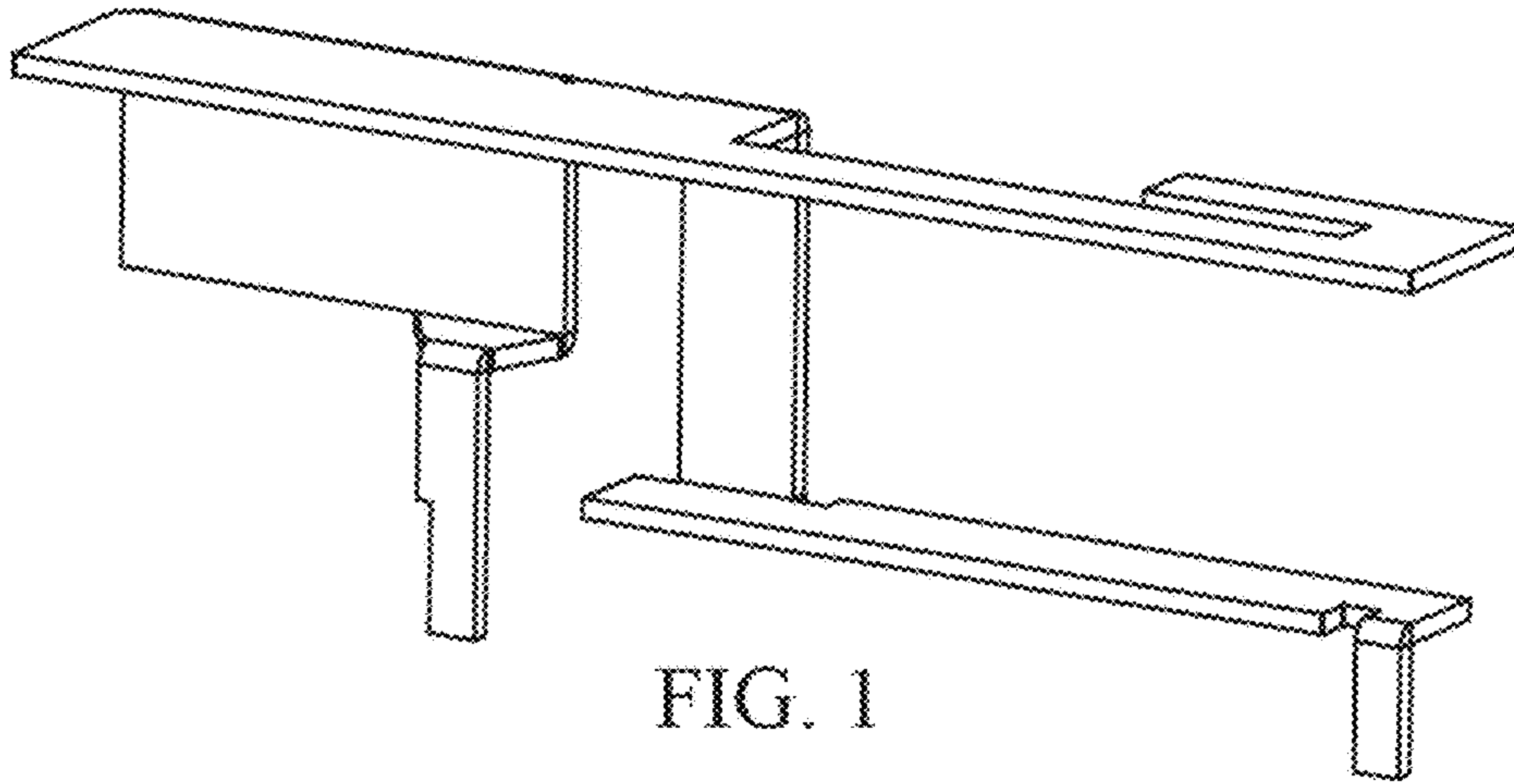


FIG. 1

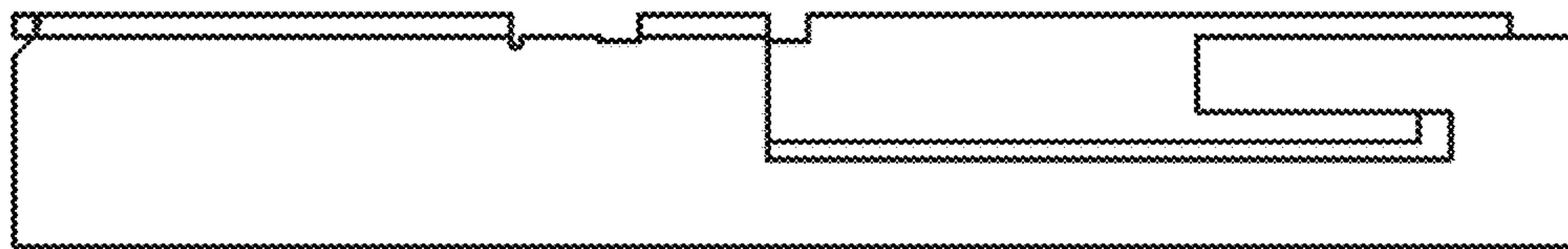


FIG. 2

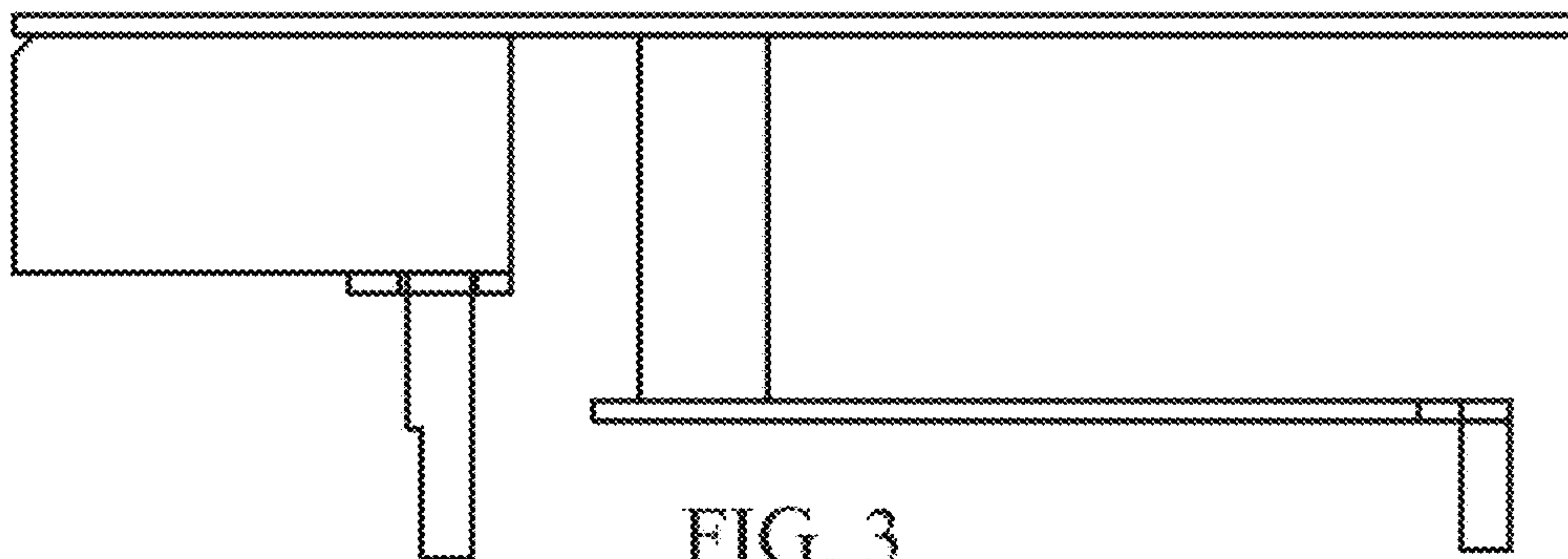


FIG. 3

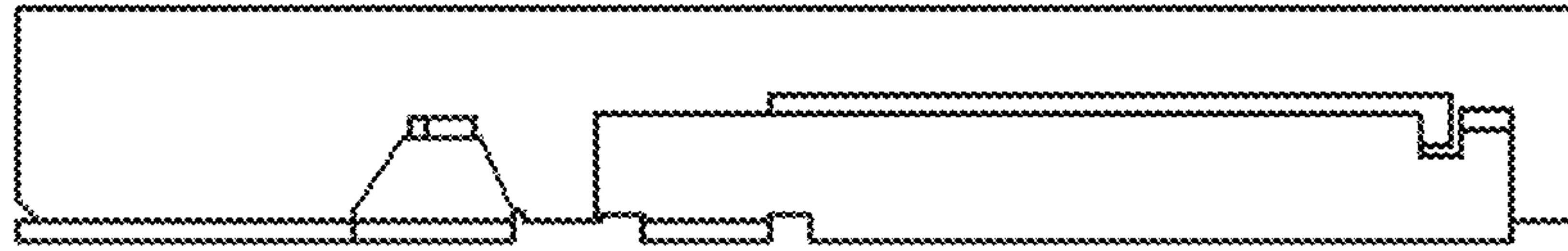


FIG. 4

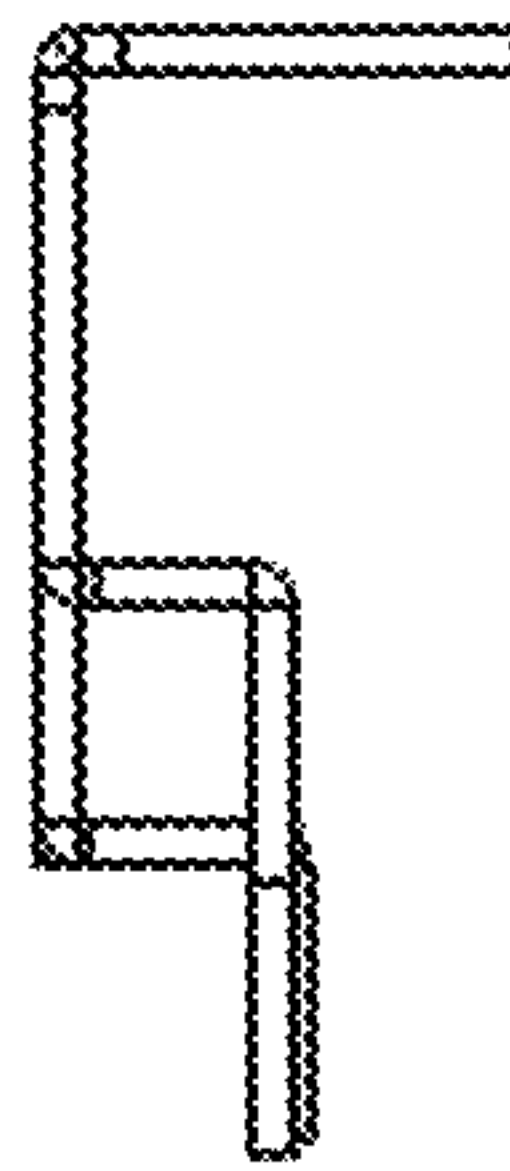


FIG. 5