



US00D795844S

(12) **United States Design Patent**
Harper

(10) **Patent No.:** **US D795,844 S**

(45) **Date of Patent:** **** Aug. 29, 2017**

(54) **VENT CLIP OR STAND FOR A COMMUNICATIONS HEADSET**

(71) Applicant: **Plantronics, Inc.**, Santa Cruz, CA (US)

(72) Inventor: **Pierre Harper**, Santa Cruz, CA (US)

(73) Assignee: **Plantronics, Inc.**, Santa Cruz, CA (US)

(**) Term: **15 Years**

(21) Appl. No.: **29/557,058**

(22) Filed: **Mar. 4, 2016**

(51) **LOC (10) Cl.** **14-01**

(52) **U.S. Cl.**

USPC **D14/224**; D14/223

(58) **Field of Classification Search**

USPC D14/224, 223, 217, 205, 253, 251, 447, D14/224.1; D8/395; D12/415; D3/215; 24/3.12, 3.6, 3.11; 211/70.6; 248/74.3; 224/255, 268, 3.6; 379/446, 450, 455, 379/428.01; 381/380, 384, 370, 374
CPC . H04R 1/10; H04R 25/00; H04M 1/00; B60R 11/02; B60R 2011/0059
See application file for complete search history.

(56) **References Cited**

U.S. PATENT DOCUMENTS

- D48,610 S * 2/1916 Rourk D3/207
- 1,609,347 A * 12/1926 Dee A45F 5/02
224/666
- 1,621,008 A * 3/1927 Fricker B42F 1/06
132/284
- 1,789,276 A * 1/1931 Kenney A47H 19/00
248/262
- 2,292,140 A * 8/1942 Lofgren H01R 13/72
15/323
- 2,396,906 A * 3/1946 Windson A63H 27/10
116/DIG. 9

- 2,470,212 A * 5/1949 Carlson B65H 54/68
242/405.1
- 2,478,376 A * 8/1949 De Swart B42F 1/10
24/562
- D156,659 S * 12/1949 Reed D8/371
- 2,547,420 A * 4/1951 Sumner H04M 1/06
24/546
- 2,802,313 A * 8/1957 Blead B24D 15/026
24/546
- 3,228,640 A * 1/1966 Wolsh F16L 3/00
24/339
- 3,231,076 A * 1/1966 Freiman B65D 55/00
206/451
- 3,279,009 A * 10/1966 Deane A45F 5/02
24/3.12
- 3,357,615 A * 12/1967 Hill A45F 5/02
224/255
- D239,147 S * 3/1976 Karlson D11/215
- 3,983,602 A * 10/1976 Barry A42B 3/04
224/181
- 4,214,688 A * 7/1980 Griffin, Jr. A45F 5/00
224/197

(Continued)

Primary Examiner — Paula Greene

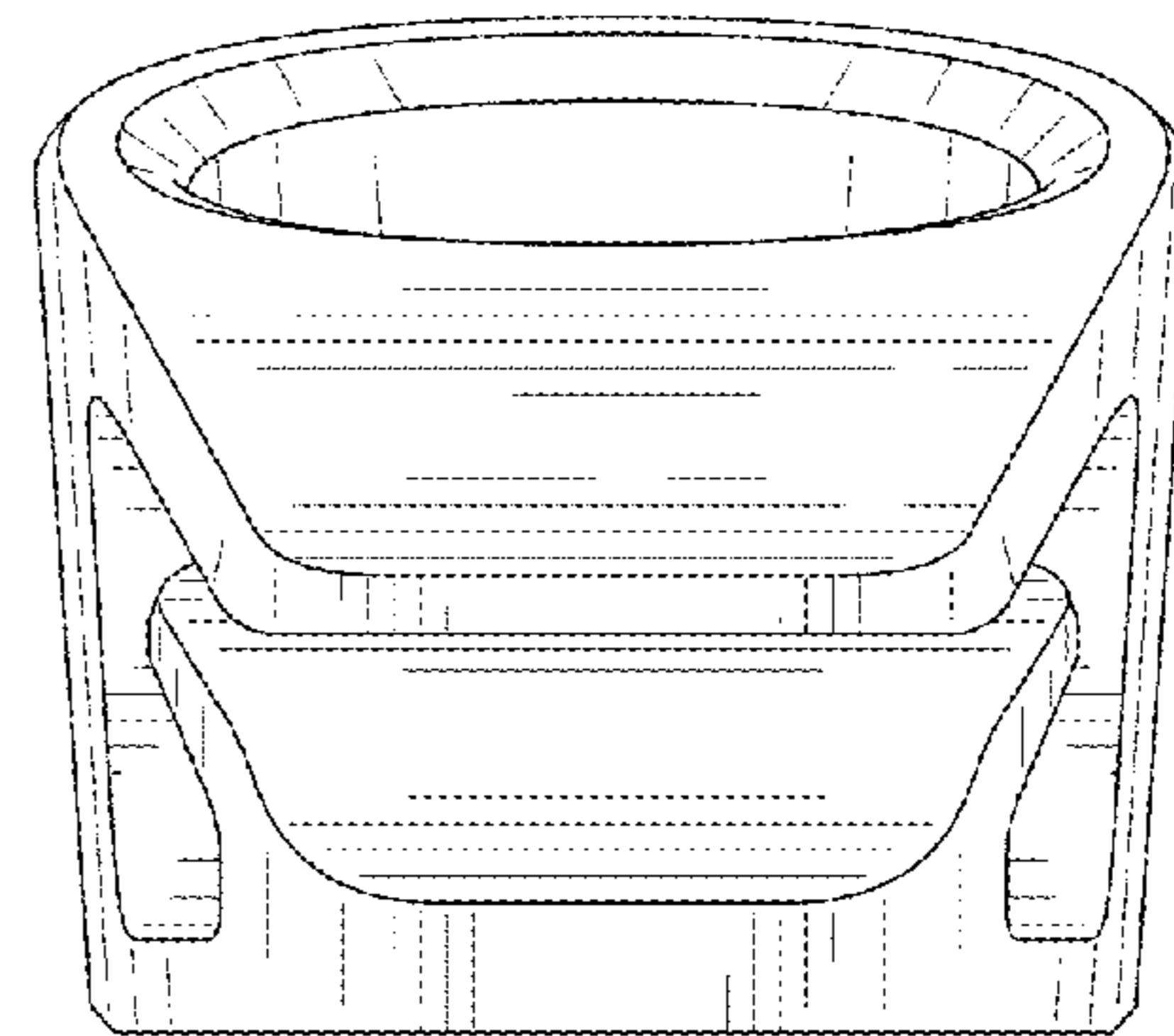
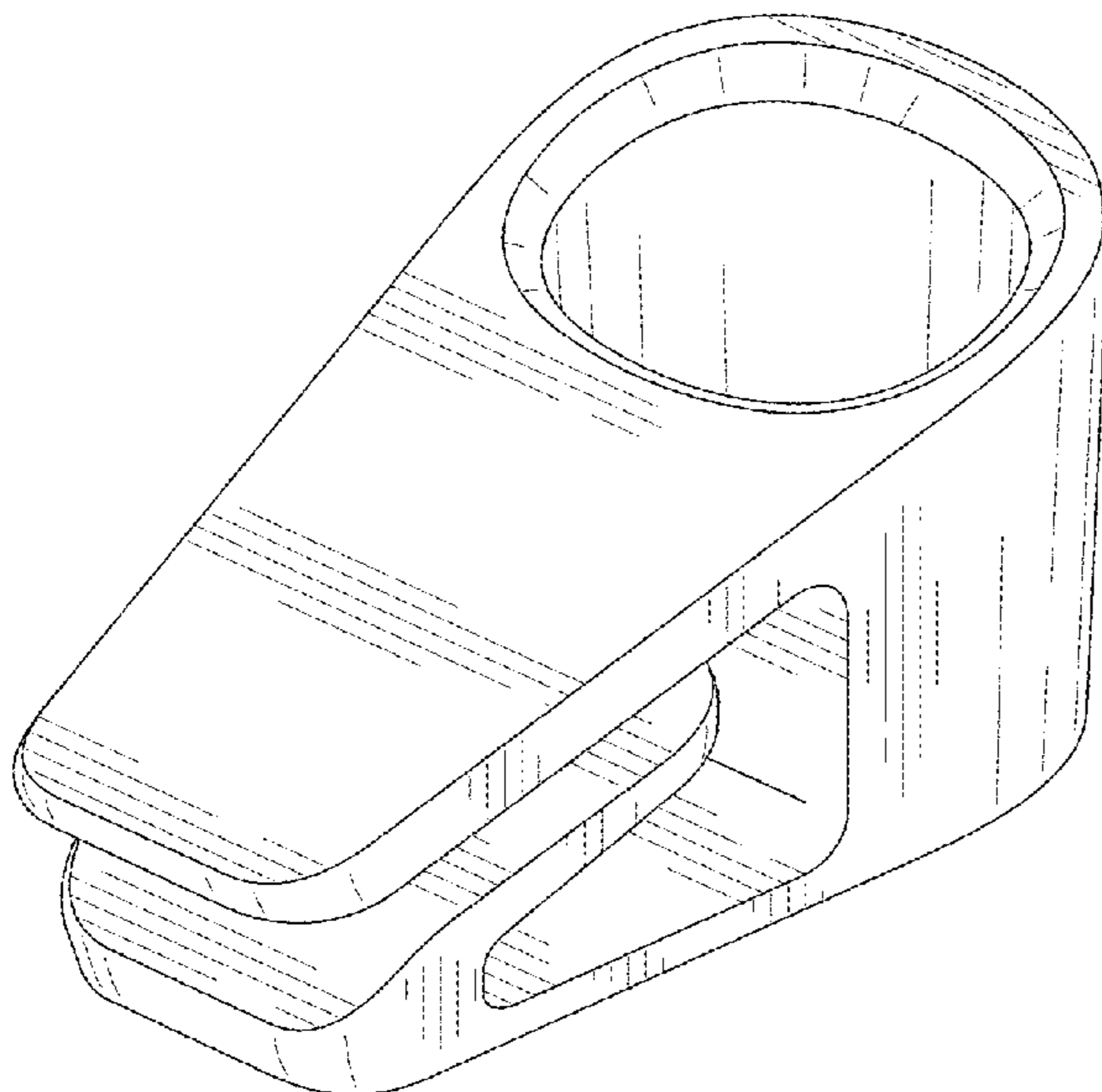
(57) **CLAIM**

The ornamental design for a vent clip or stand for a communications headset, as shown and described.

DESCRIPTION

FIG. 1 is a top-front-right perspective view of a vent clip or stand for a communications headset showing my new design;
FIG. 2 is a top-back-left perspective view thereof;
FIG. 3 is a front view thereof;
FIG. 4 is a back view thereof;
FIG. 5 is a right side view thereof;
FIG. 6 is a left side view thereof;
FIG. 7 is a top view thereof; and,
FIG. 8 is a bottom view thereof.

1 Claim, 4 Drawing Sheets



(56)

References Cited

U.S. PATENT DOCUMENTS

D291,177 S * 8/1987 Santucci D8/382
 4,802,638 A * 2/1989 Burger B65H 75/143
 242/388.1
 4,974,764 A * 12/1990 Cantwell A45F 5/02
 224/269
 D316,484 S * 4/1991 Kounis D11/215
 5,129,126 A * 7/1992 Huang A44B 99/00
 224/669
 D355,097 S * 2/1995 Ostensen D7/601
 5,422,957 A * 6/1995 Cummins B65H 75/4431
 381/384
 D361,032 S * 8/1995 Dougan D8/395
 D394,745 S * 6/1998 Egelja D2/946
 5,832,098 A * 11/1998 Chen H04M 1/05
 381/370
 5,984,224 A * 11/1999 Yang B65H 75/4473
 242/400.1
 6,457,218 B1 * 10/2002 Lawrence B42F 1/10
 24/3.12
 6,484,365 B1 * 11/2002 Thompson B60J 3/0204
 224/312
 D470,833 S * 2/2003 Rath D14/205
 6,547,201 B2 * 4/2003 Barich G11B 33/0411
 206/228
 6,866,219 B2 * 3/2005 Wei B65H 75/4434
 191/12.4
 D512,905 S * 12/2005 Byers D8/382
 D542,123 S * 5/2007 Symons D8/356
 D549,557 S * 8/2007 Mori D8/356
 D555,896 S * 11/2007 Ward-Llewellyn D3/215

D566,537 S * 4/2008 Wen-Po D8/395
 D574,375 S * 8/2008 Prest D14/217
 D575,143 S * 8/2008 Kuo D8/356
 D585,880 S * 2/2009 Sade D14/205
 D596,927 S * 7/2009 Ting D8/356
 D598,910 S * 8/2009 Bradford D14/217
 D600,673 S * 9/2009 Kim D14/205
 D603,376 S * 11/2009 Blasko D14/223
 D608,767 S * 1/2010 Liner D14/205
 D613,273 S * 4/2010 Liner D14/223
 D616,431 S * 5/2010 Hijmans D14/253
 D618,671 S * 6/2010 Hou D14/217
 D620,781 S * 8/2010 Weckworth D8/356
 D633,899 S * 3/2011 Zheng D14/223
 D637,584 S * 5/2011 Peller D14/223
 D638,398 S * 5/2011 Morison D14/205
 D643,419 S * 8/2011 Huang D14/223
 D646,668 S * 10/2011 Birger D14/223
 D662,087 S * 6/2012 Peller D14/205
 D663,735 S * 7/2012 Musselman D14/253
 D664,147 S * 7/2012 Zhao D14/452
 D667,390 S * 9/2012 Matera D14/223
 D676,833 S * 2/2013 Garcia D14/223
 D682,256 S * 5/2013 Murchison D14/223
 D683,331 S * 5/2013 Nylen D14/218
 D690,707 S * 10/2013 Minn D14/447
 D710,335 S * 8/2014 Yang D14/223
 D751,558 S * 3/2016 Lee D10/103
 D772,784 S * 11/2016 Higgins D12/415
 2010/0071168 A1 * 3/2010 Miller A45F 5/02
 24/3.11
 2011/0163143 A1 * 7/2011 Zanetti B60R 11/02
 224/567

* cited by examiner

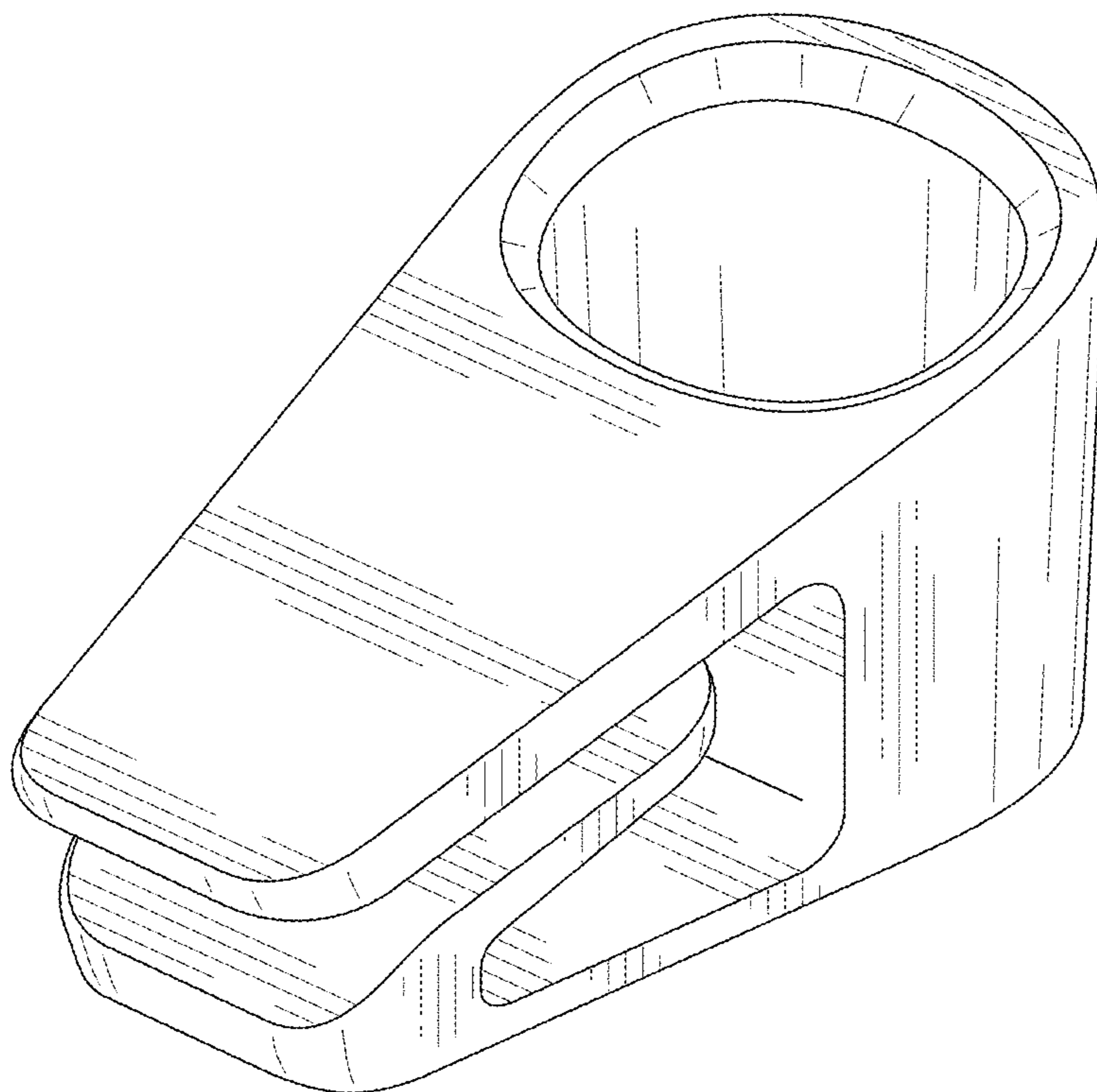


FIG. 1

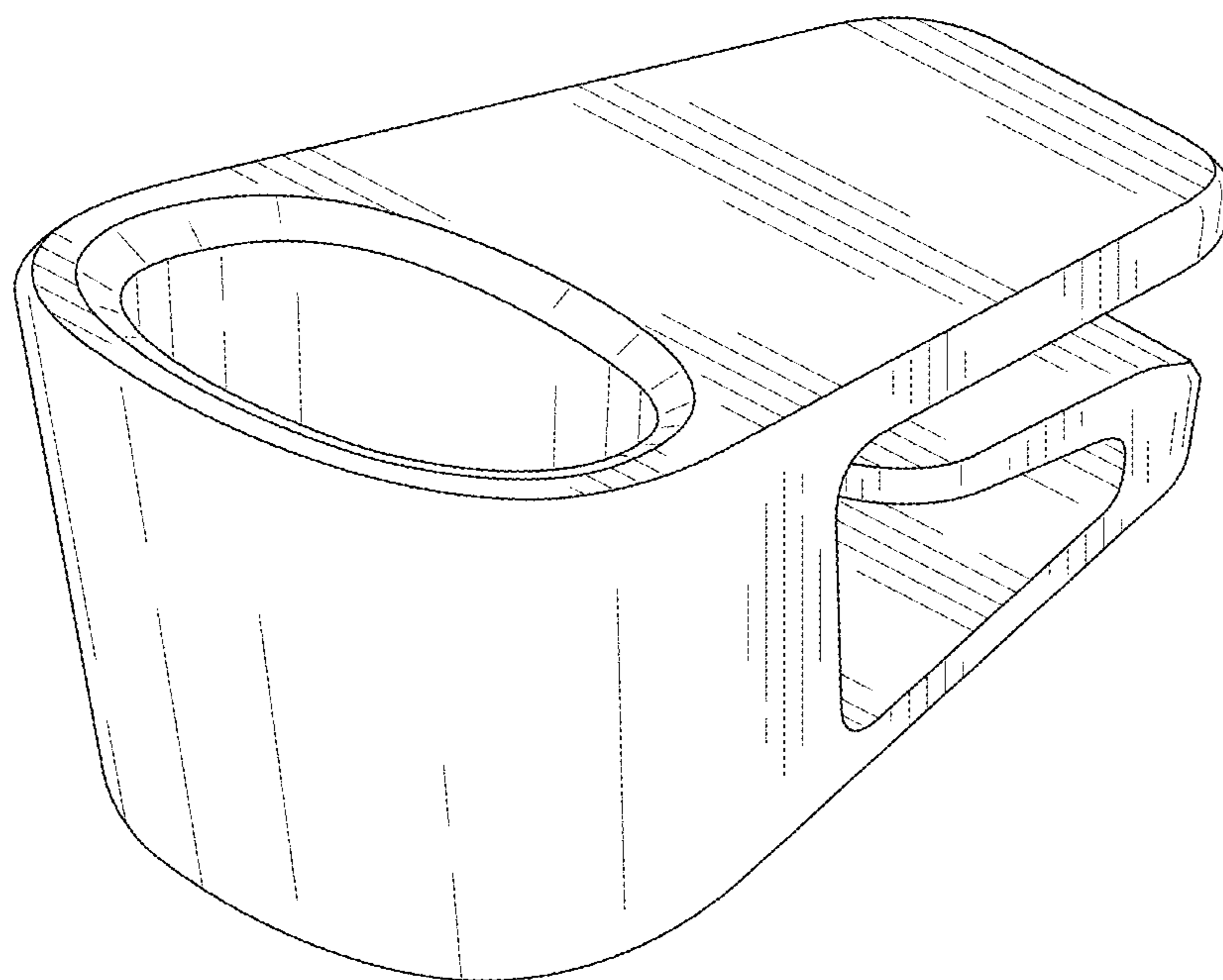


FIG. 2

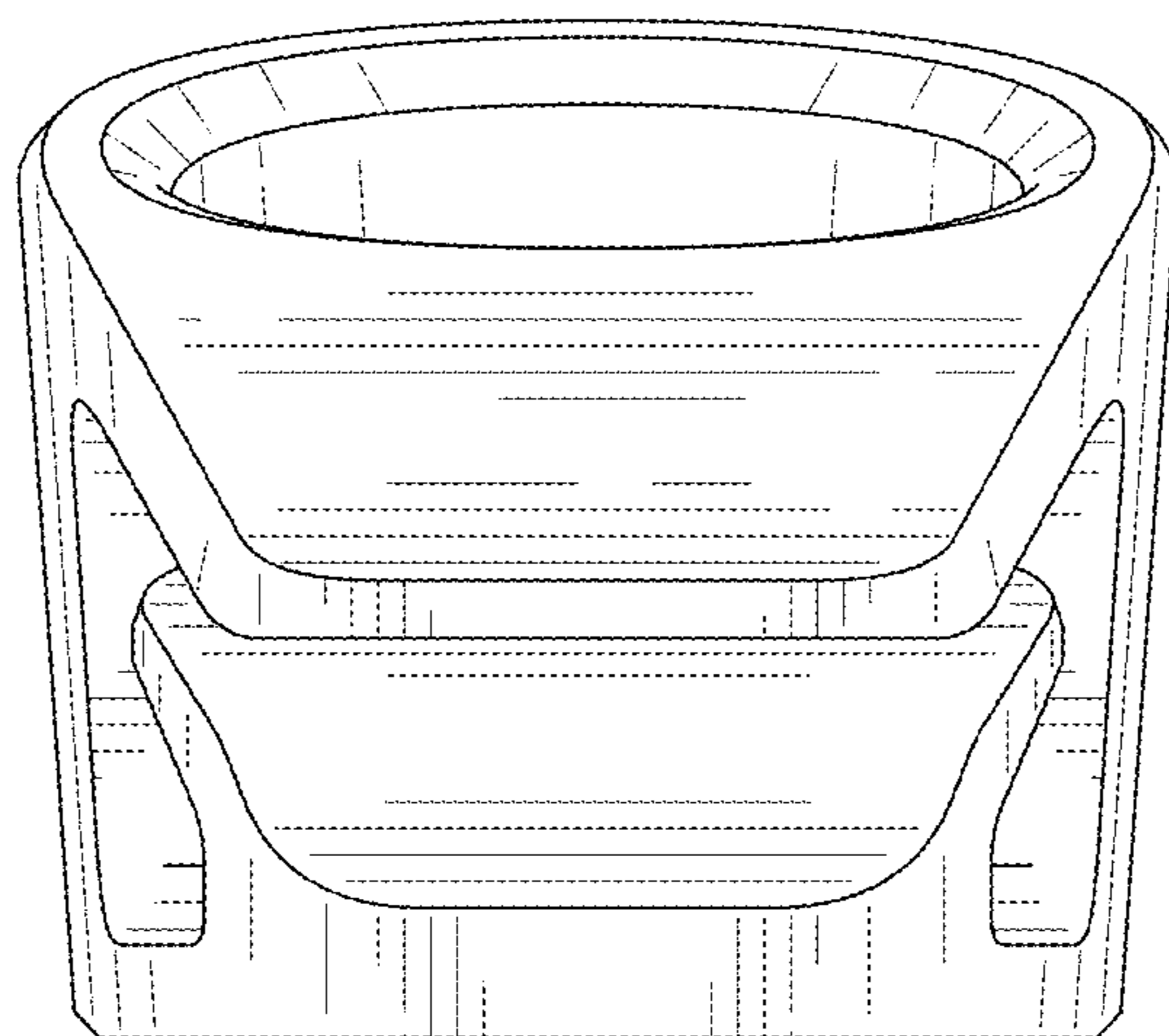


FIG. 3

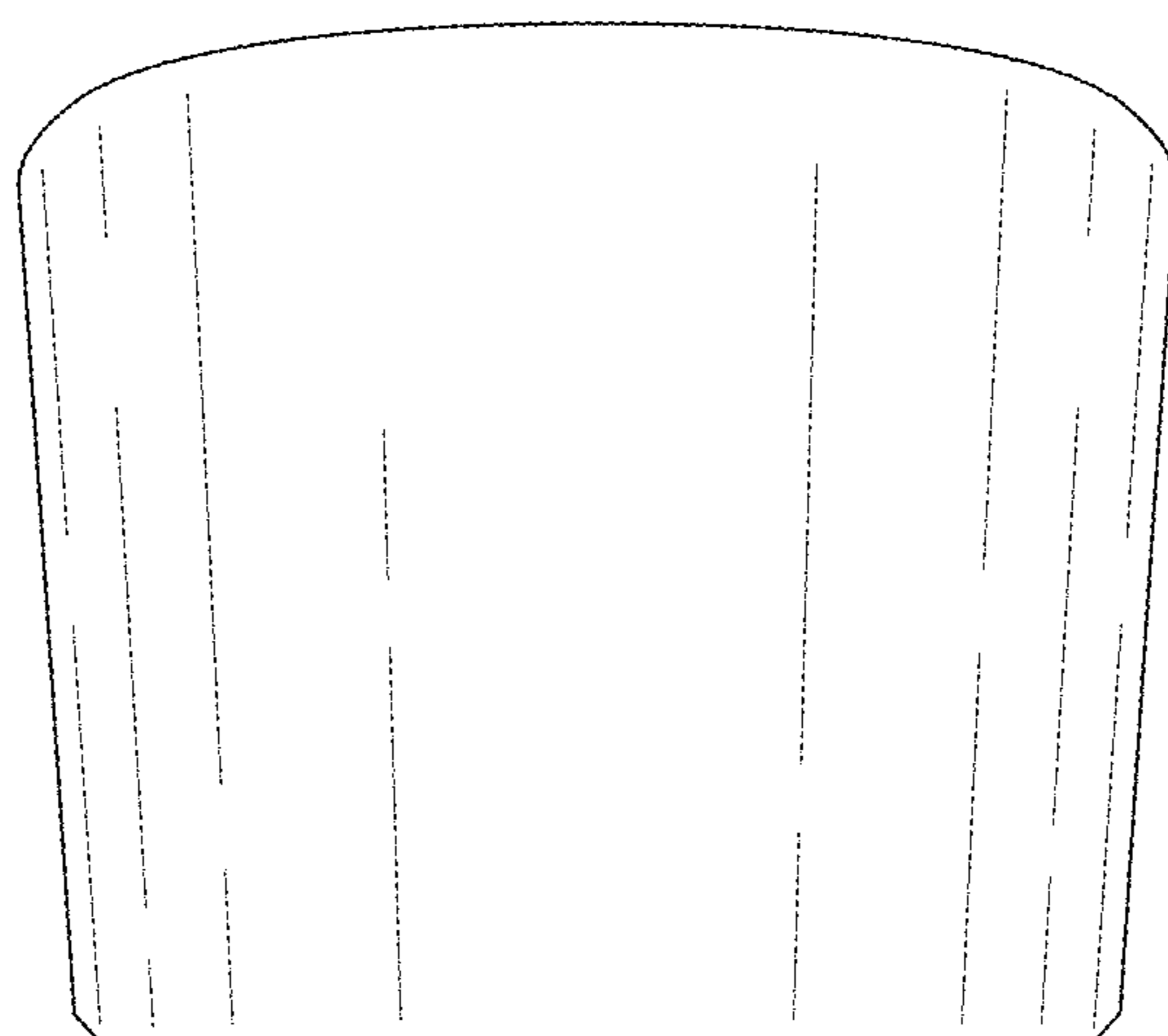


FIG. 4

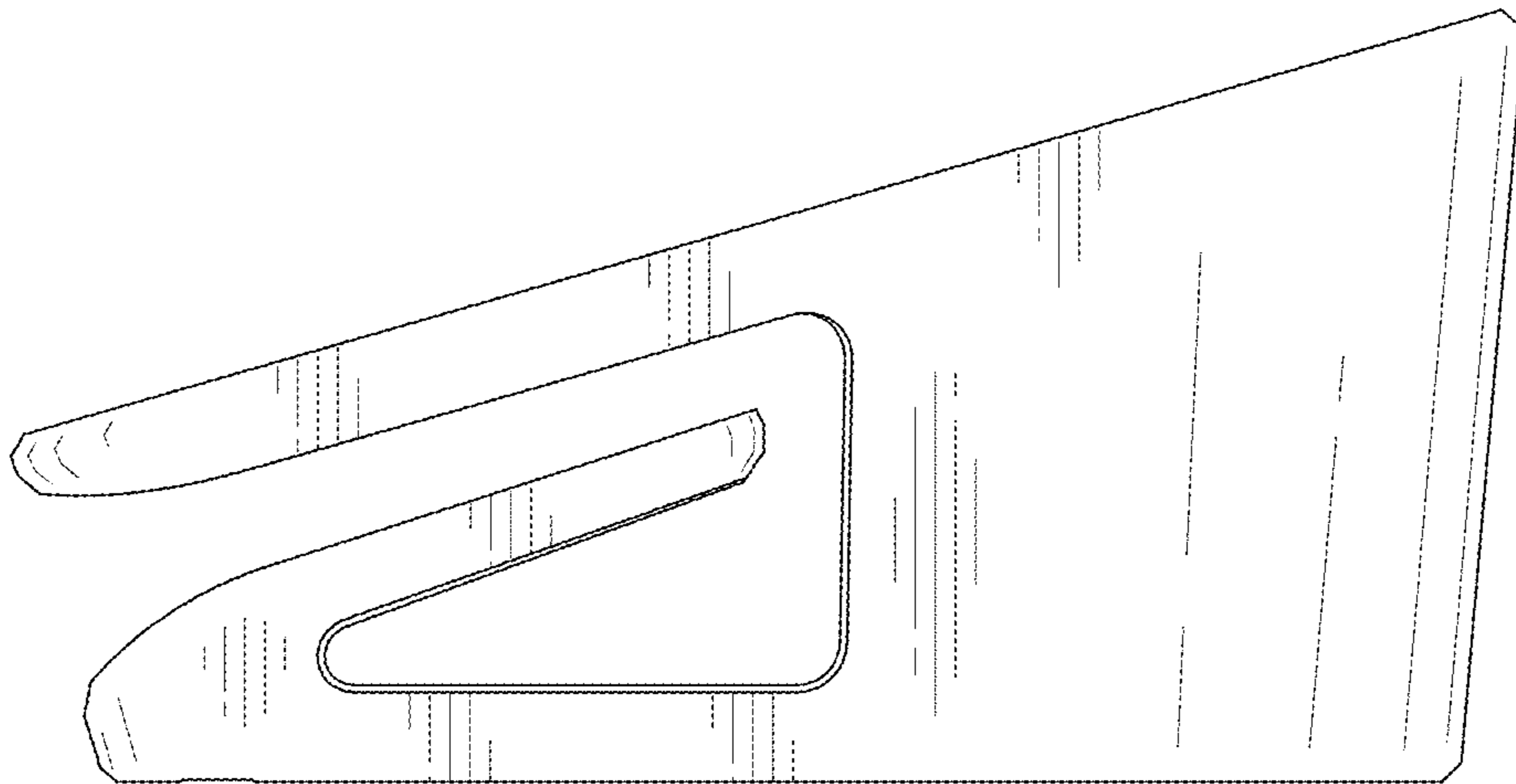


FIG. 5

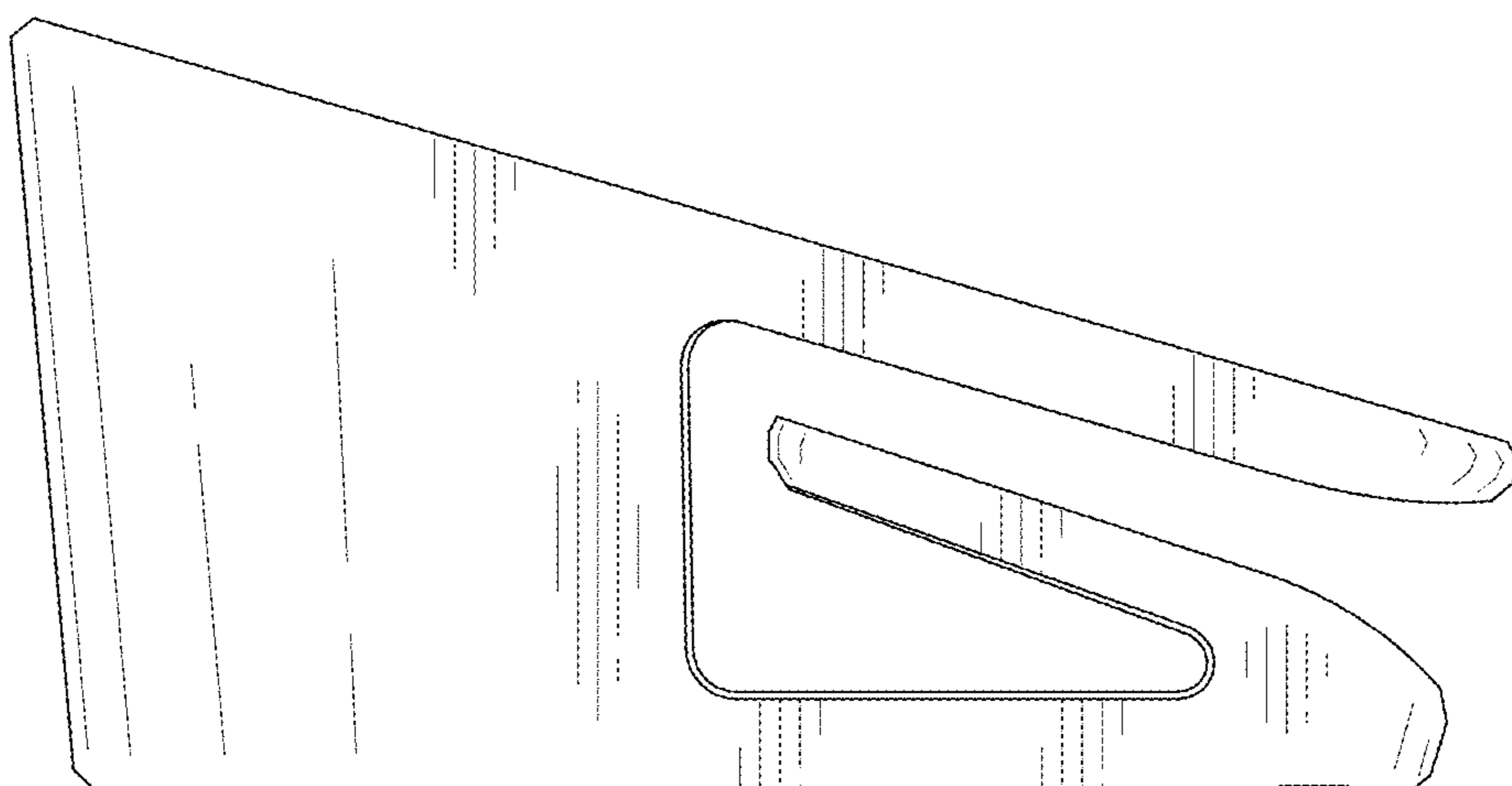


FIG. 6

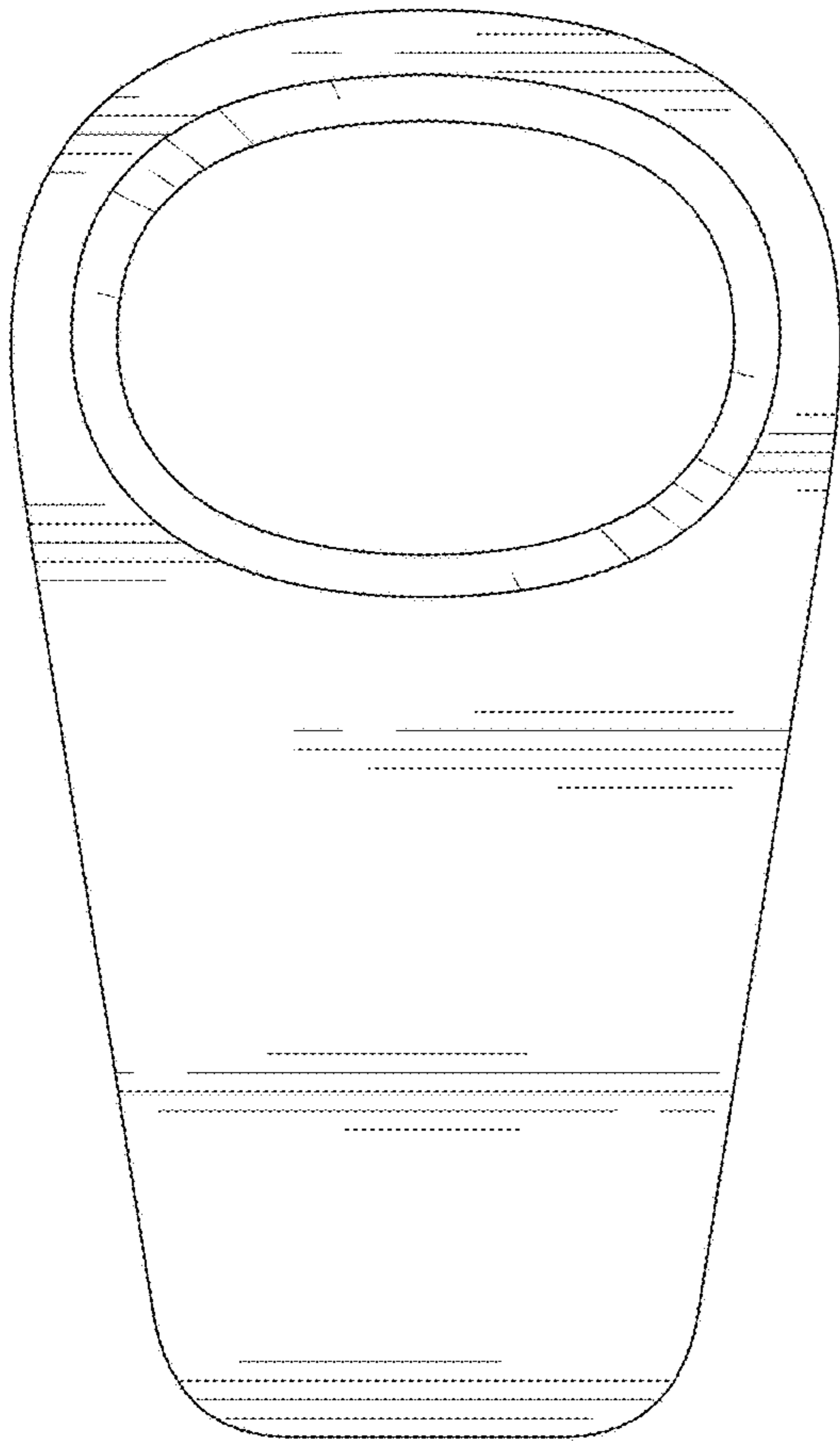


FIG. 7

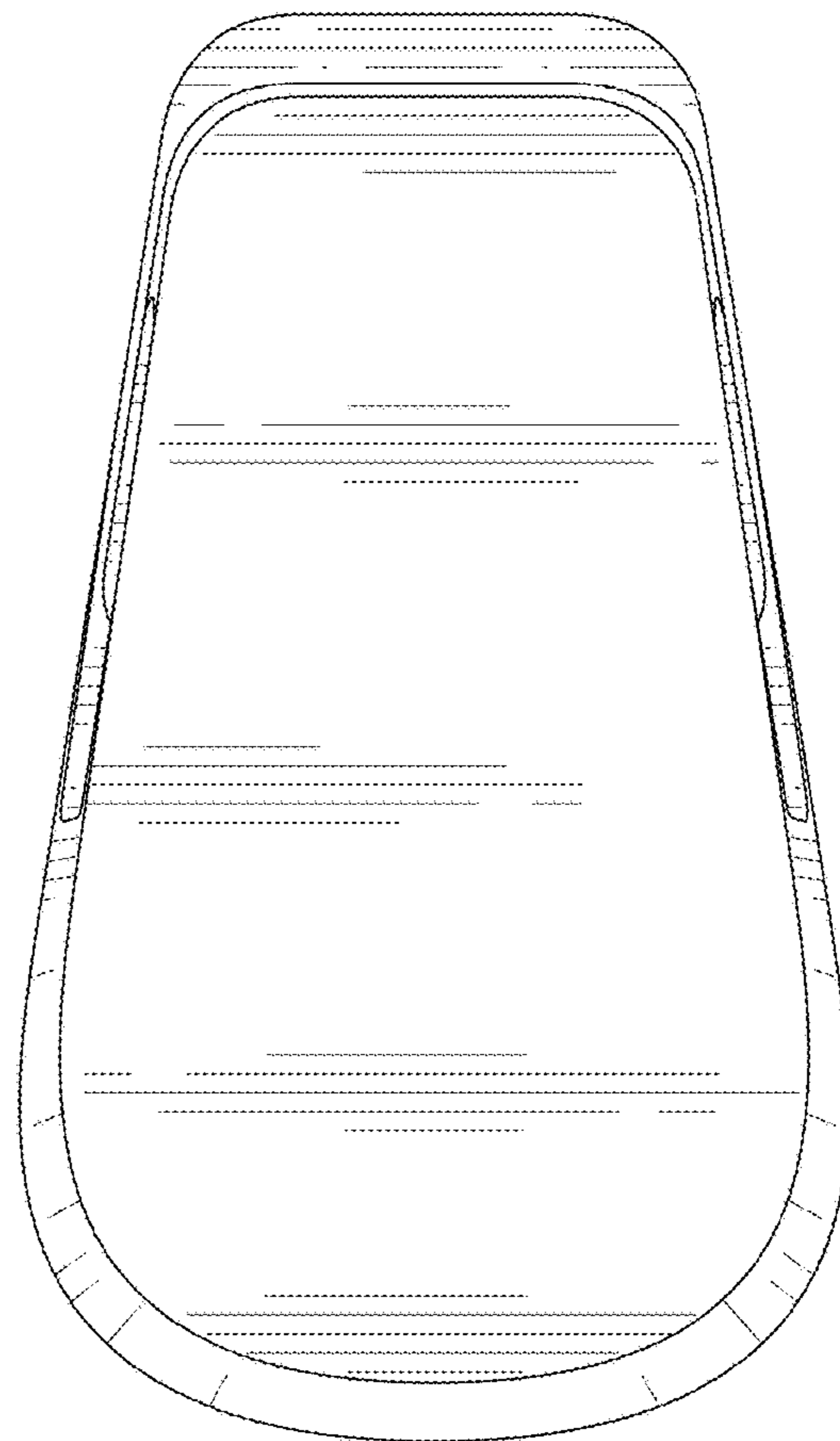


FIG. 8