



US00D795843S

(12) **United States Design Patent**
Harper

(10) **Patent No.:** **US D795,843 S**

(45) **Date of Patent:** **** Aug. 29, 2017**

(54) **COMMUNICATIONS HEADSET**

(71) Applicant: **Plantronics, Inc.**, Santa Cruz, CA (US)

(72) Inventor: **Pierre Harper**, Santa Cruz, CA (US)

(73) Assignee: **Plantronics, Inc.**, Santa Cruz, CA (US)

(**) Term: **15 Years**

(21) Appl. No.: **29/557,071**

(22) Filed: **Mar. 4, 2016**

(51) **LOC (10) Cl.** **14-01**

(52) **U.S. Cl.**
USPC **D14/223**

(58) **Field of Classification Search**

USPC D14/223, 206, 138 AA; 181/129, 130,
181/135; 379/430, 431; 381/380, 381,
381/374; 455/90.3, 575.1

CPC H04R 1/10; H04R 25/00; H04R 1/1016;
H04R 1/1066

See application file for complete search history.

(56) **References Cited**

U.S. PATENT DOCUMENTS

- D478,893 S * 8/2003 Corander D14/138 R
- 7,079,664 B2 * 7/2006 Nassimi H04R 25/558
381/328
- D538,271 S * 3/2007 Kim D14/223
- D555,151 S * 11/2007 Eklund D14/223
- D566,103 S * 4/2008 Sade D14/223
- D566,108 S * 4/2008 Kan D14/223
- D566,696 S * 4/2008 Schmelling D14/223
- D568,301 S * 5/2008 Kim D14/205
- D573,983 S * 7/2008 Bang D14/223
- D574,366 S * 8/2008 Sade D14/223
- D575,277 S * 8/2008 Gaarde D14/205
- D579,923 S * 11/2008 Andre D14/205
- D581,396 S * 11/2008 Wikel D14/206
- D582,897 S * 12/2008 Christopher D14/223
- D585,077 S * 1/2009 Sheba D14/434
- D588,113 S * 3/2009 Bradford D14/223

- D592,677 S * 5/2009 Sheba D14/434
- D596,165 S * 7/2009 Henning D14/223
- D598,900 S * 8/2009 Wikel D14/223
- D602,007 S * 10/2009 Lee D14/223
- D602,476 S * 10/2009 Lee D14/223
- D604,722 S * 11/2009 Mistry D14/223
- 7,616,760 B2 * 11/2009 Trip H04M 1/6066
379/430
- D609,695 S * 2/2010 Cigliano D14/205
- D610,575 S * 2/2010 Brickstad D14/223

(Continued)

FOREIGN PATENT DOCUMENTS

- | | | |
|----|----------|--------|
| JP | D1410321 | 3/2011 |
| TW | D144932 | 1/2012 |
| TW | D174094 | 3/2016 |

OTHER PUBLICATIONS

Taiwan IPO Search Report issued in corresponding Taiwanese Design Application No. 105304734, completed Nov. 17, 2016.

Primary Examiner — Paula Greene

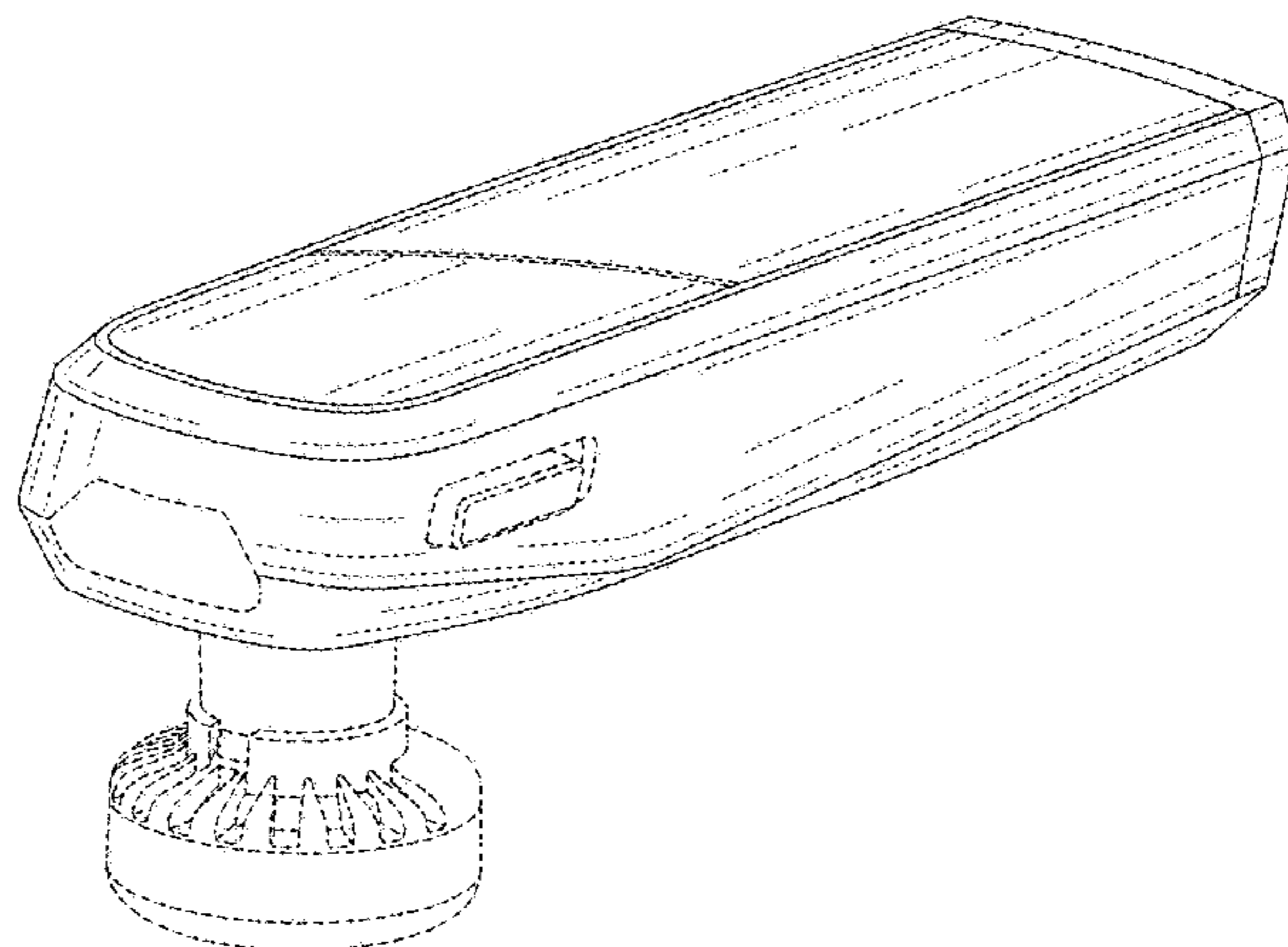
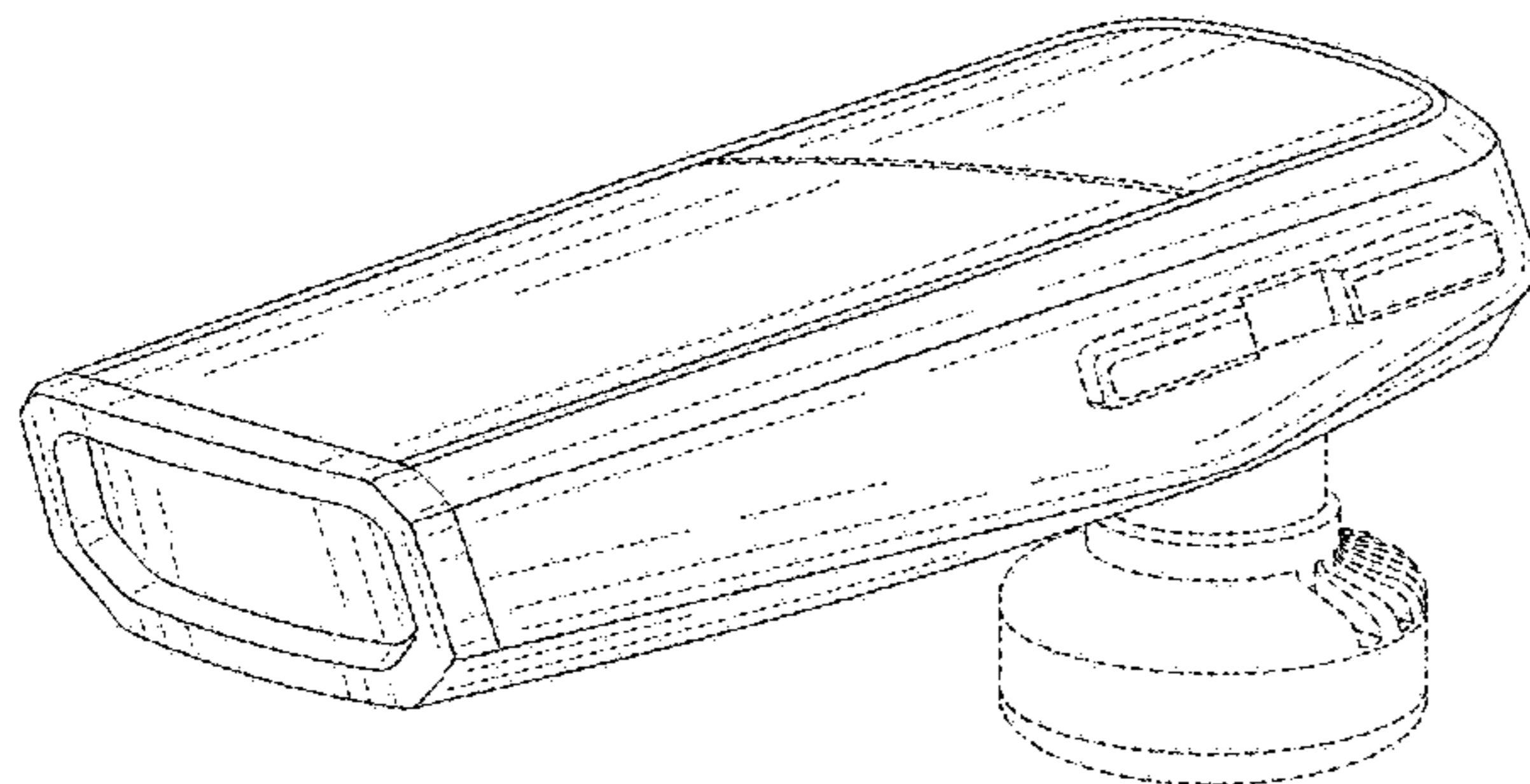
(57) **CLAIM**

The ornamental design for a communications headset, as shown and described.

DESCRIPTION

FIG. 1 is a front-top-right perspective view of a communications headset showing my new design; FIG. 2 is a back-top-left perspective view thereof; FIG. 3 is a top view thereof; FIG. 4 is a bottom view thereof; FIG. 5 is a left side view thereof; FIG. 6 is a right side view thereof; FIG. 7 is a front view thereof; and, FIG. 8 is a back view thereof. The broken lines showing the unclaimed features forms no part of the claimed design.

1 Claim, 4 Drawing Sheets



(56)

References Cited

U.S. PATENT DOCUMENTS

D616,873 S * 6/2010 Olivier D14/223
D617,779 S * 6/2010 Nysten D14/223
D618,221 S * 6/2010 Fahrendorff D14/223
7,778,410 B2 * 8/2010 Liu H04M 1/05
379/430
D624,904 S * 10/2010 Lim D14/223
D628,194 S * 11/2010 Koch D14/223
D629,396 S * 12/2010 Andre D14/223
D630,620 S * 1/2011 Lee D14/223
D636,381 S * 4/2011 Liner D14/223
D640,242 S * 6/2011 Fahrendorff D14/223
D641,739 S * 7/2011 Huang D14/223
D643,420 S * 8/2011 Huang D14/223
D647,513 S * 10/2011 Ha D14/223
D649,957 S * 12/2011 Fahrendorff D14/223
D649,958 S * 12/2011 Park D14/223
D651,590 S * 1/2012 Kang D14/223
D656,128 S * 3/2012 Park D14/223
D656,490 S * 3/2012 Birger D14/223
D657,781 S * 4/2012 Yang D14/223
D664,950 S * 8/2012 Rye D14/223
8,270,915 B2 * 9/2012 Sanford H01Q 1/243
343/904
8,275,165 B2 * 9/2012 Birch H04M 1/05
381/375
8,285,208 B2 * 10/2012 Terlizzi H04M 1/05
379/428.02
D691,120 S * 10/2013 Koch D14/223
D693,796 S * 11/2013 Birger D14/223
D710,830 S * 8/2014 Birger D14/223
D779,462 S * 2/2017 Birger D14/223
2008/0044002 A1 * 2/2008 Bevirt H04M 1/05
379/430
2010/0022283 A1 * 1/2010 Terlizzi H04M 1/05
455/570

* cited by examiner

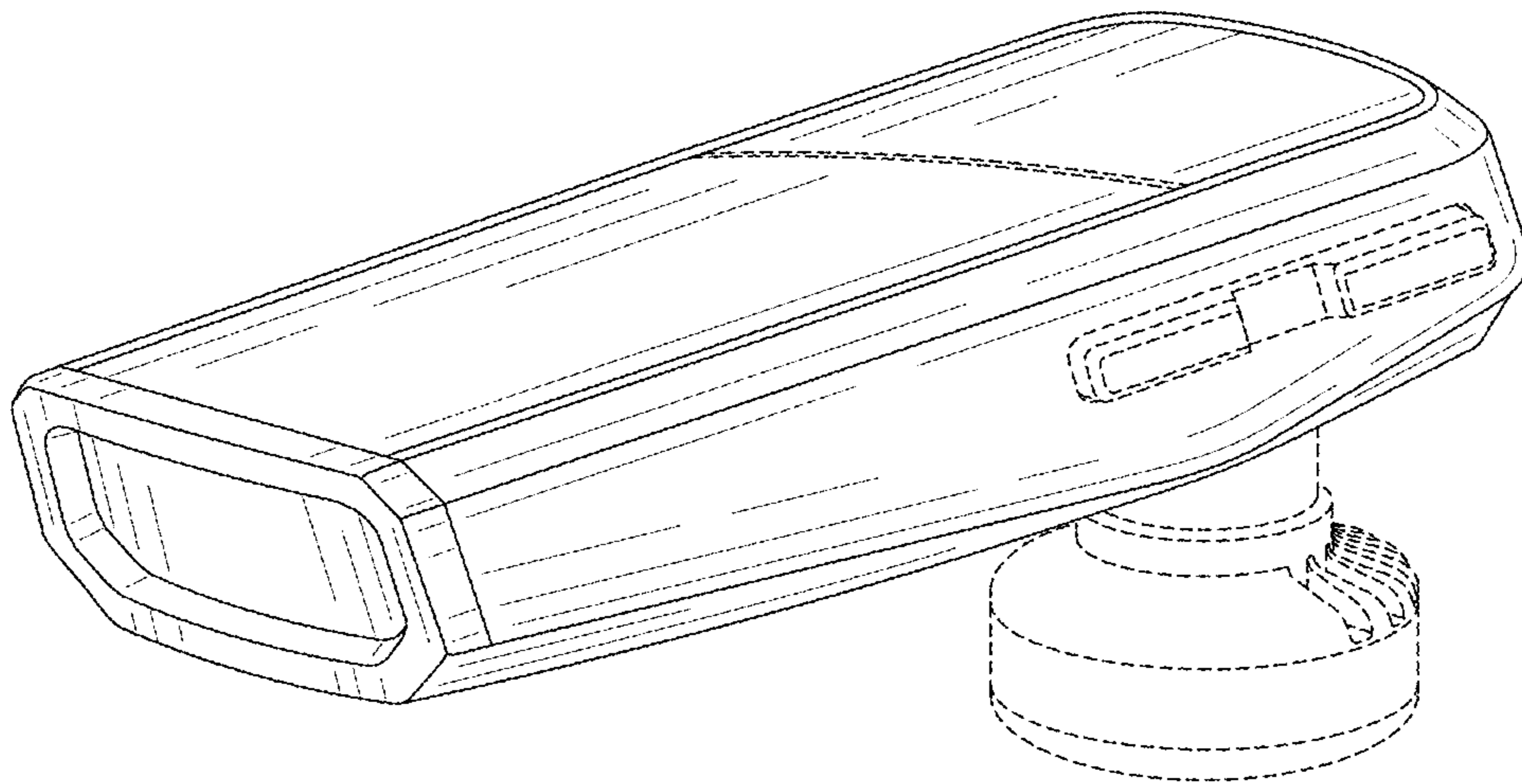


FIG. 1

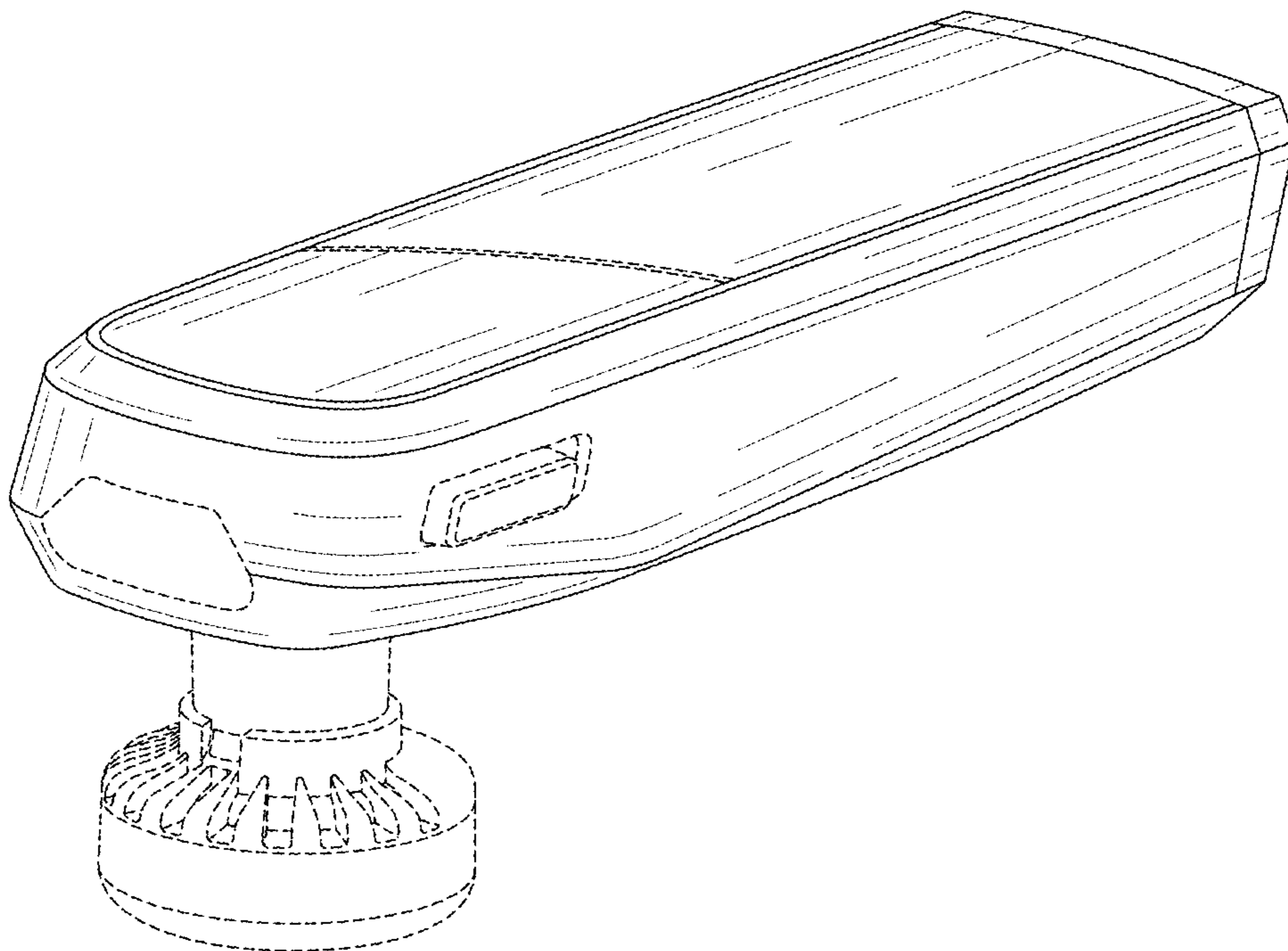


FIG. 2

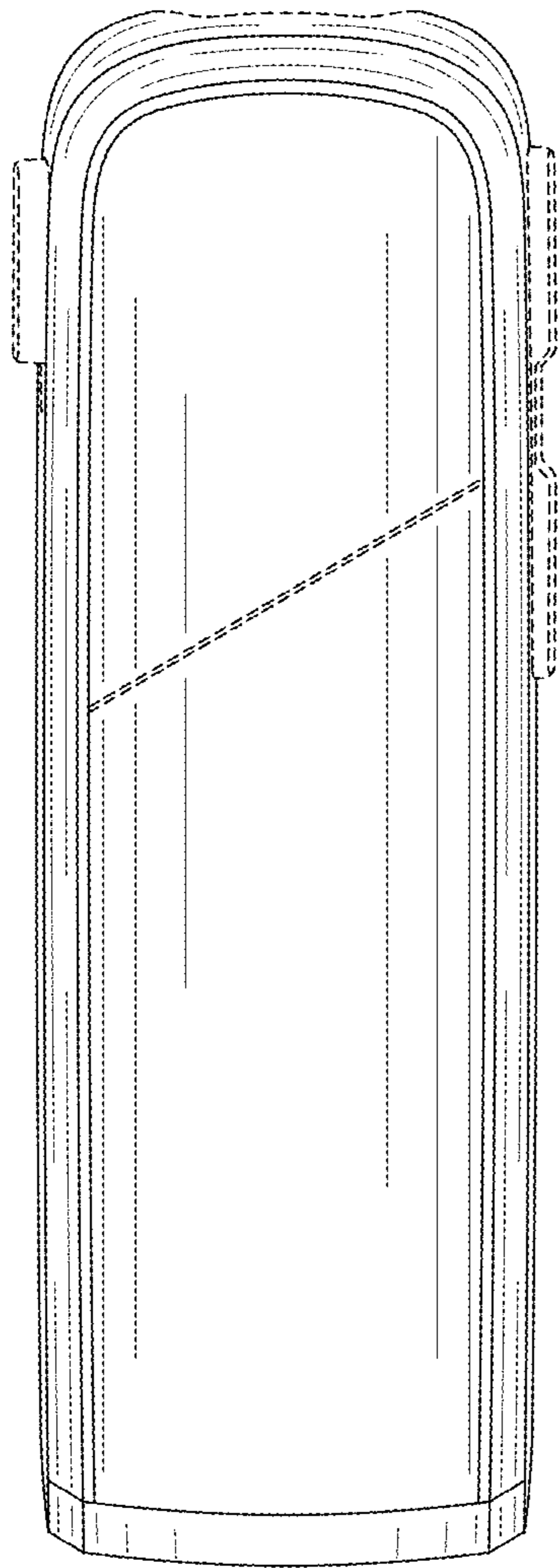


FIG. 3

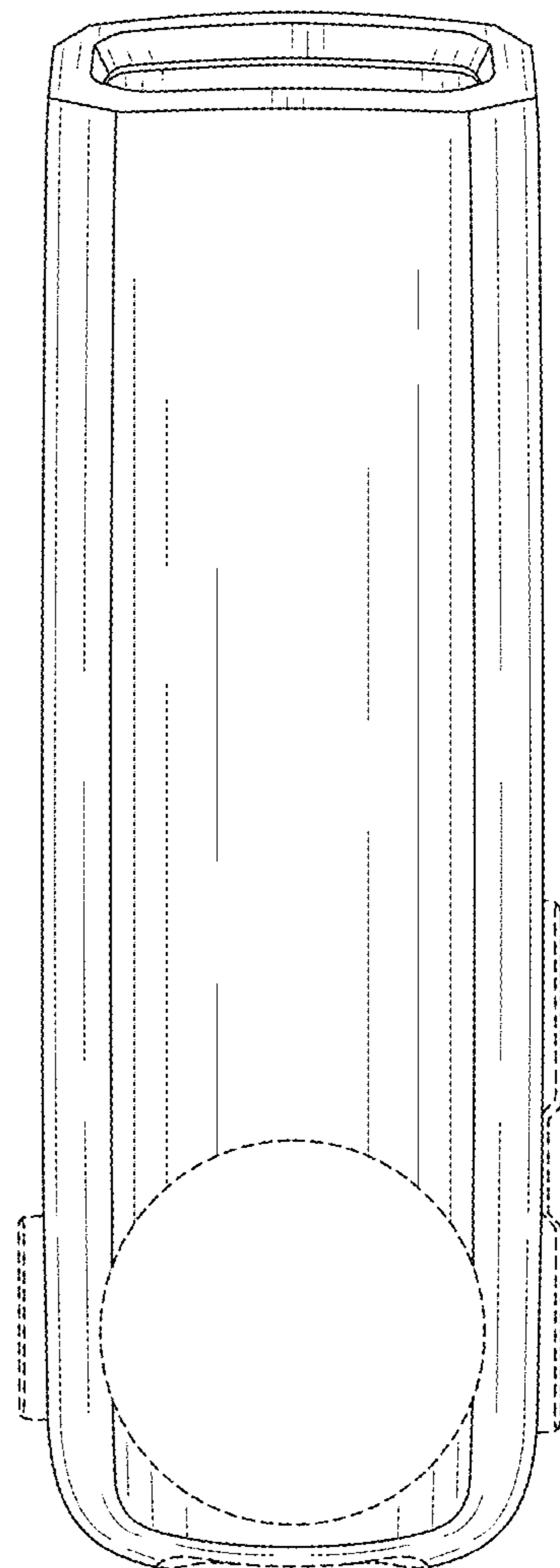


FIG. 4

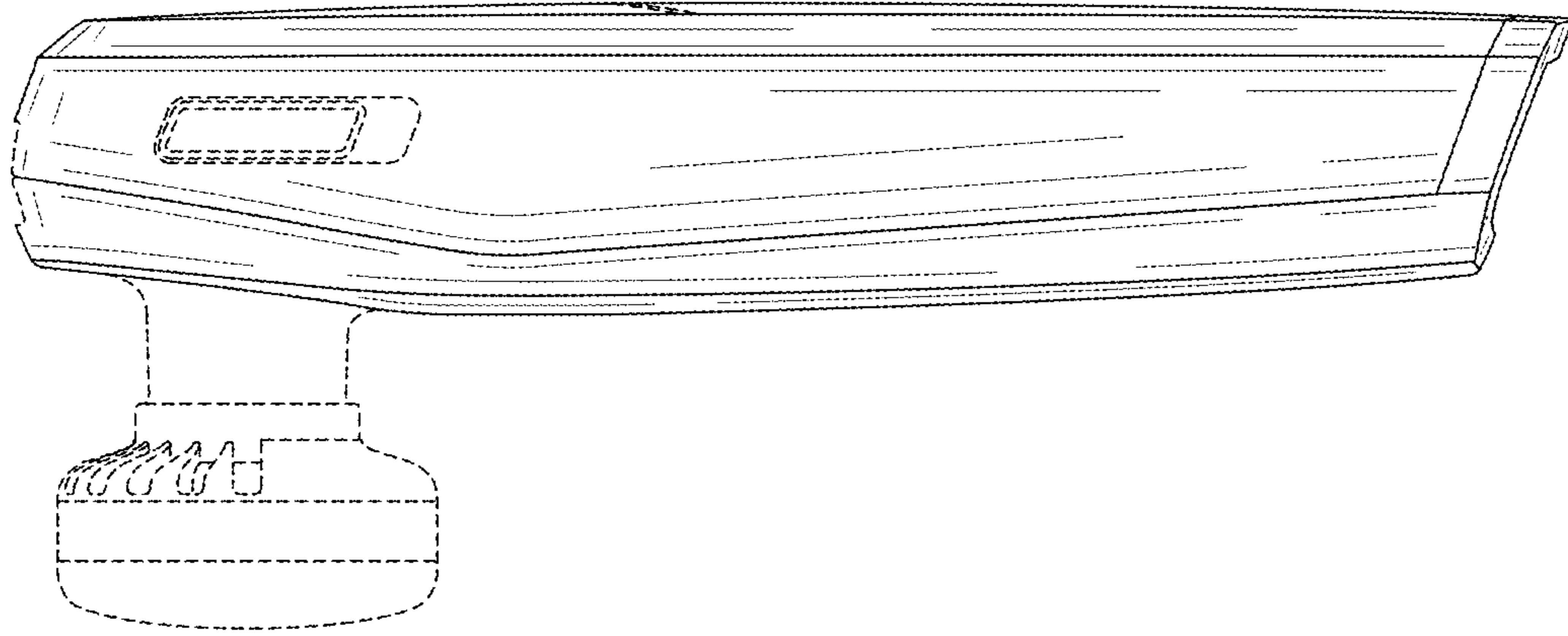


FIG. 5

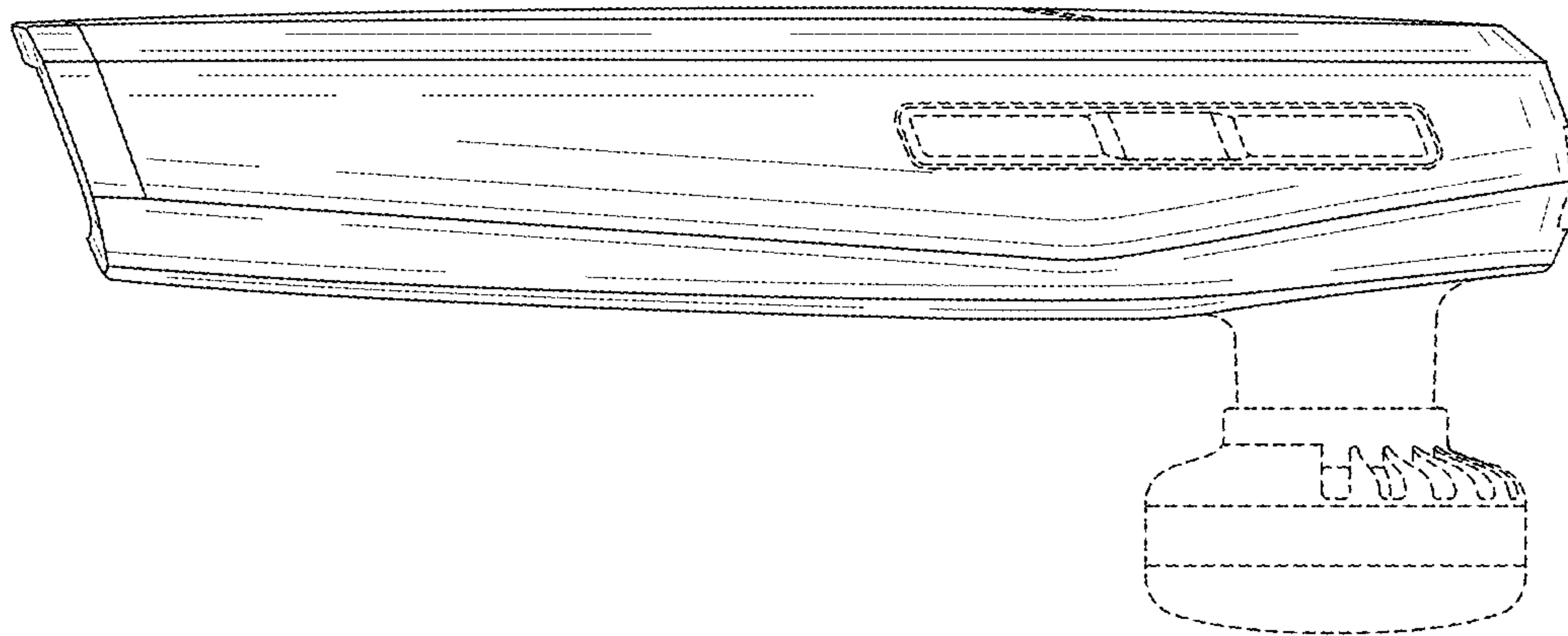


FIG. 6

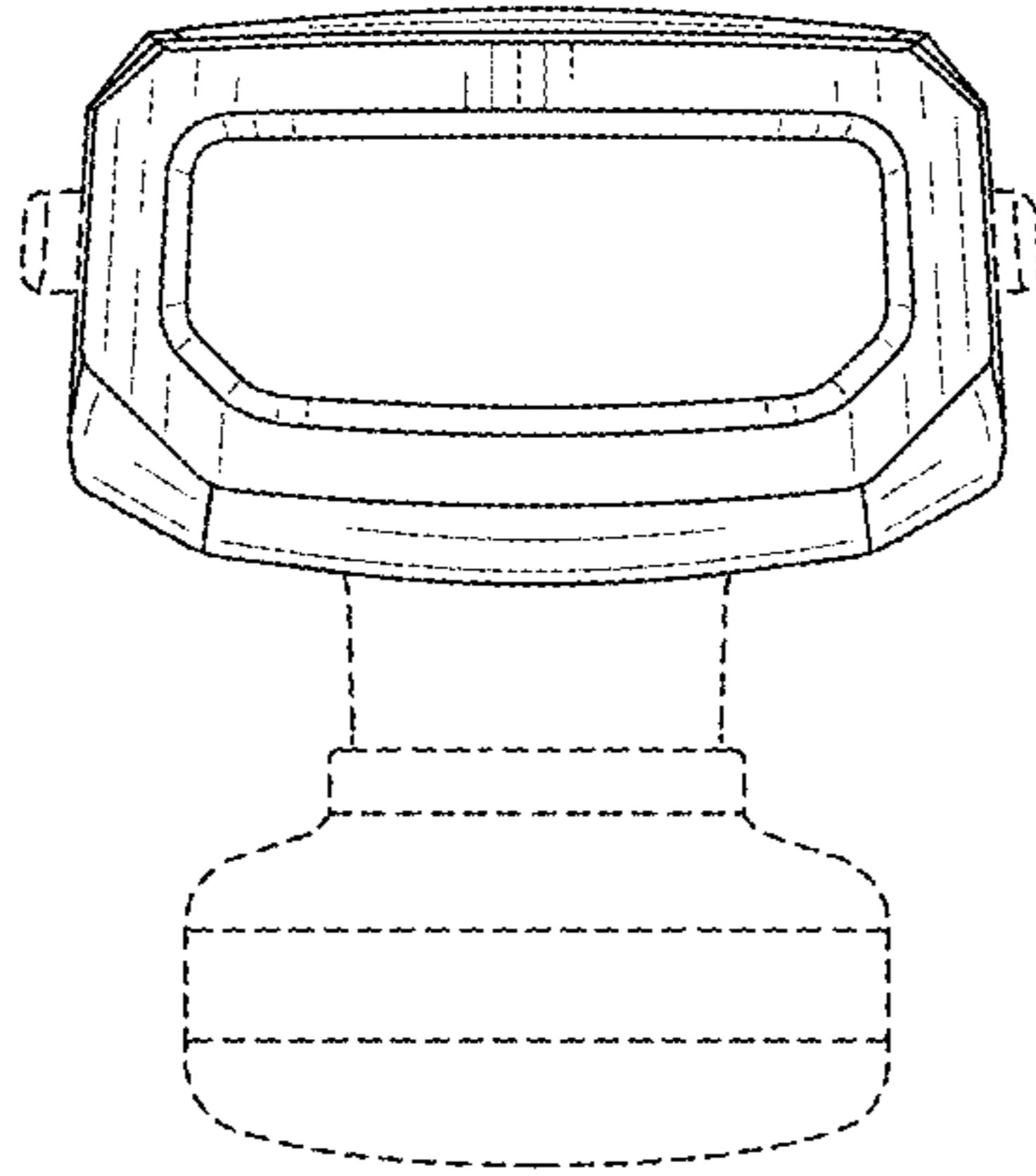


FIG. 7

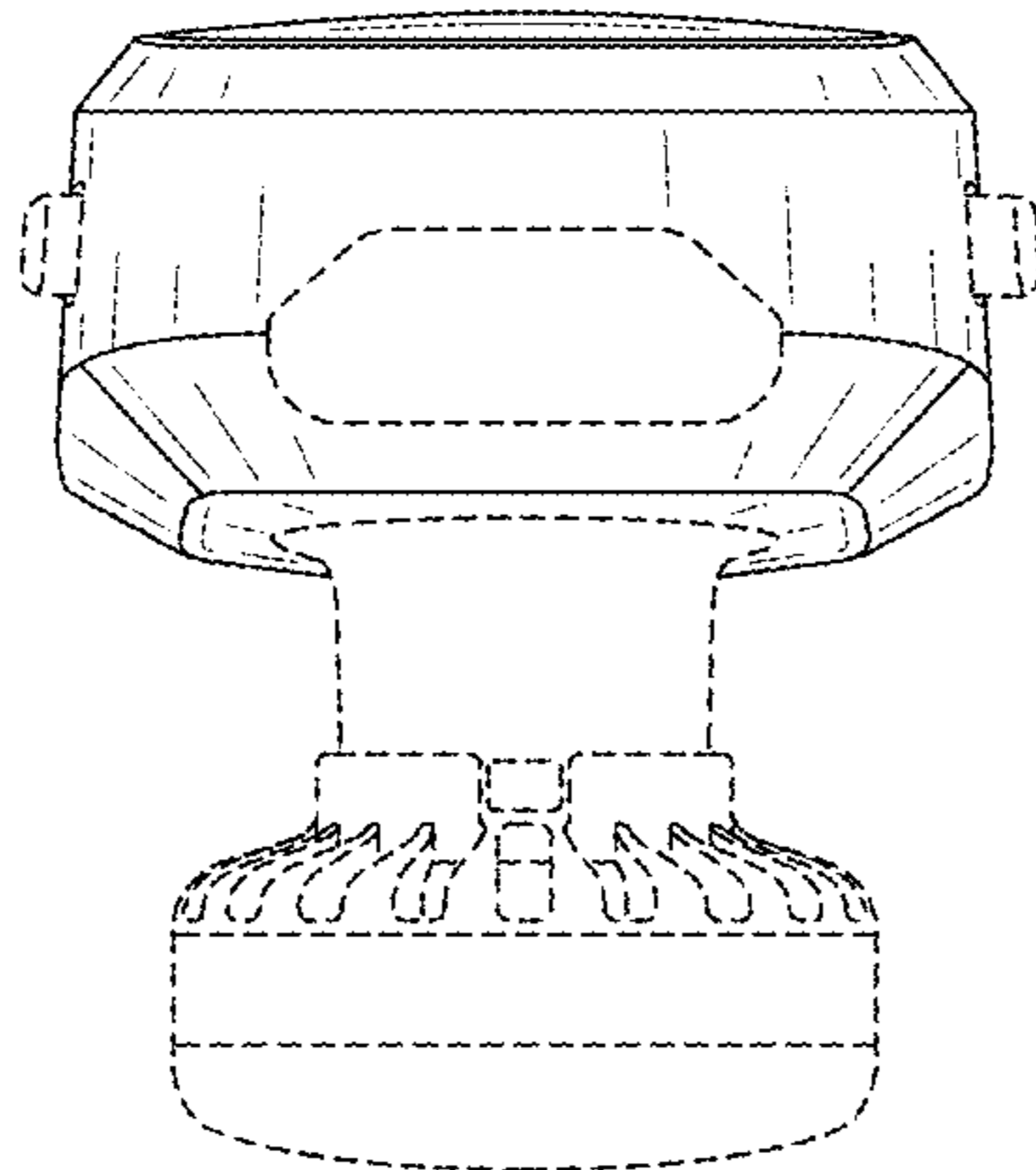


FIG. 8