



US00D795841S

(12) **United States Design Patent**
Mistry et al.

(10) **Patent No.:** **US D795,841 S**

(45) **Date of Patent:** **** Aug. 29, 2017**

(54) **AUDIO SWITCHER**

(71) Applicant: **Plantronics, Inc.**, Santa Cruz, CA (US)

(72) Inventors: **Manoj K Mistry**, Santa Cruz, CA (US); **Oliver W Henderson**, Santa Cruz, CA (US)

(73) Assignee: **Plantronics, Inc.**, Santa Cruz, CA (US)

(**) Term: **15 Years**

(21) Appl. No.: **29/578,606**

(22) Filed: **Sep. 22, 2016**

(51) **LOC (10) Cl.** **14-03**

(52) **U.S. Cl.**
USPC **D14/217**

(58) **Field of Classification Search**

USPC D14/496, 140.7, 217, 242, 299;
D13/158, 162, 163, 168, 171, 174
CPC H04B 7/0413; H04B 7/0456; H04B 1/04;
H04B 7/0617; H04B 7/0682; H04B
7/0689; H04B 7/0697; H04B 10/25751;
H04B 15/02; H04B 17/0085; H04B
17/12; H04B 1/0053; H04B 1/0096;
H04B 1/0483; H04B 1/40; H04B 1/401;
H04B 7/0408; H04B 7/0426; H04B
7/043; H04B 7/046; H04B 7/0602; H04B
7/0632; H04B 7/0671; H04B 7/082;
H04B 7/0862; H04B 7/0897

See application file for complete search history.

(56) **References Cited**

U.S. PATENT DOCUMENTS

D646,667	S	*	10/2011	Donegain	D14/203.3
D649,160	S	*	11/2011	Smith	D14/203.1
D719,534	S	*	12/2014	Woodman	D13/168
D727,360	S	*	4/2015	Peng	D14/203.1
D758,975	S	*	6/2016	Hunter	D13/162
D765,140	S	*	8/2016	Peng	D14/496
D771,142	S	*	11/2016	Langhammer	D14/203.6
D781,250	S	*	3/2017	Cartwright	D13/168

* cited by examiner

Primary Examiner — Ian Simmons

Assistant Examiner — Khawaja Anwar

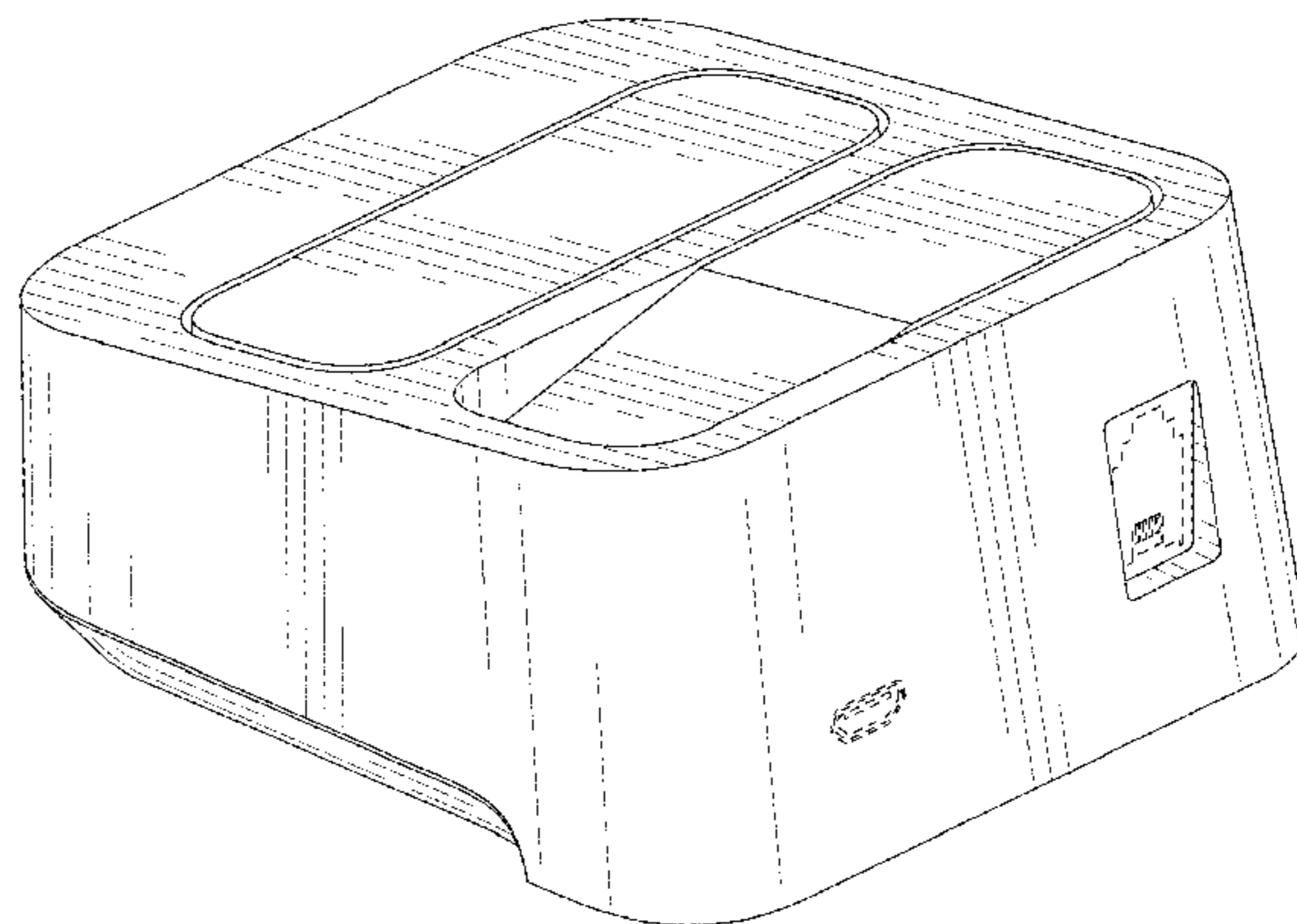
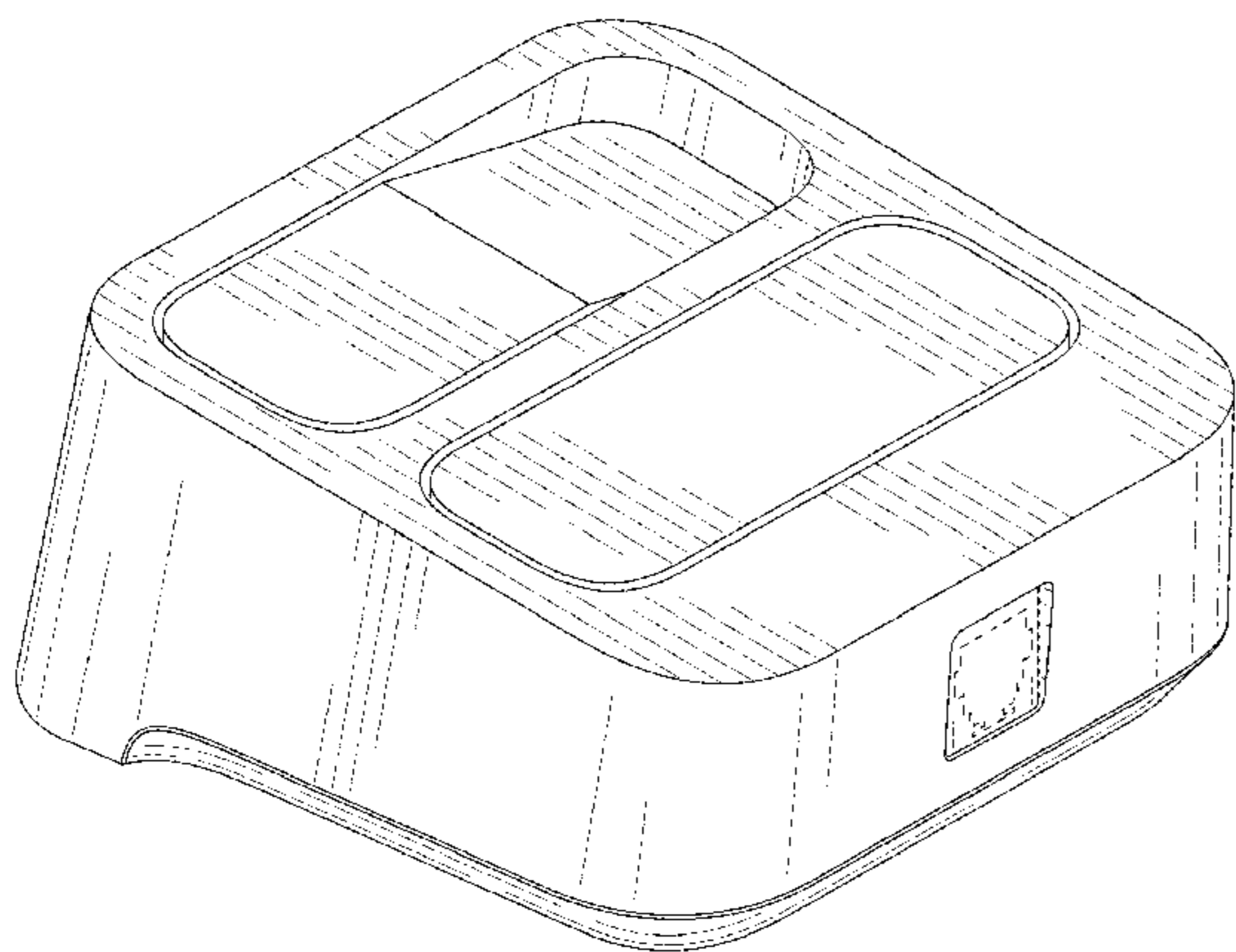
(57) **CLAIM**

The ornamental design for an audio switcher, as shown and described.

DESCRIPTION

FIG. 1 is a front-top-left perspective view of an audio switcher showing my new design;
FIG. 2 is a back-top-right perspective view thereof;
FIG. 3 is a front view thereof;
FIG. 4 is a back view thereof;
FIG. 5 is a left side view thereof;
FIG. 6 is a right side view thereof;
FIG. 7 is a top view thereof; and,
FIG. 8 is a bottom view thereof.
The broken lines showing the unclaimed features form no part of the claimed design.

1 Claim, 5 Drawing Sheets



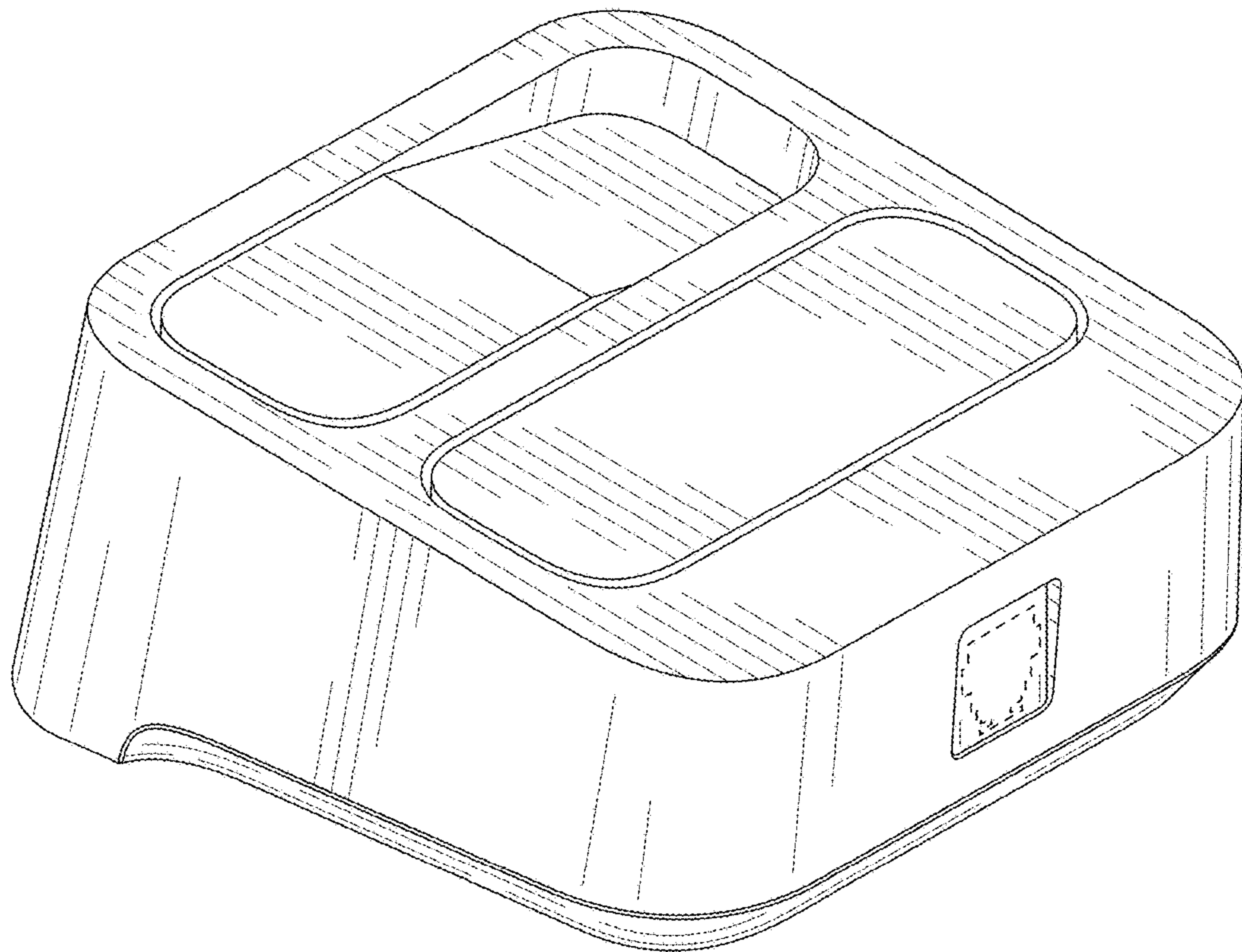


FIG. 1

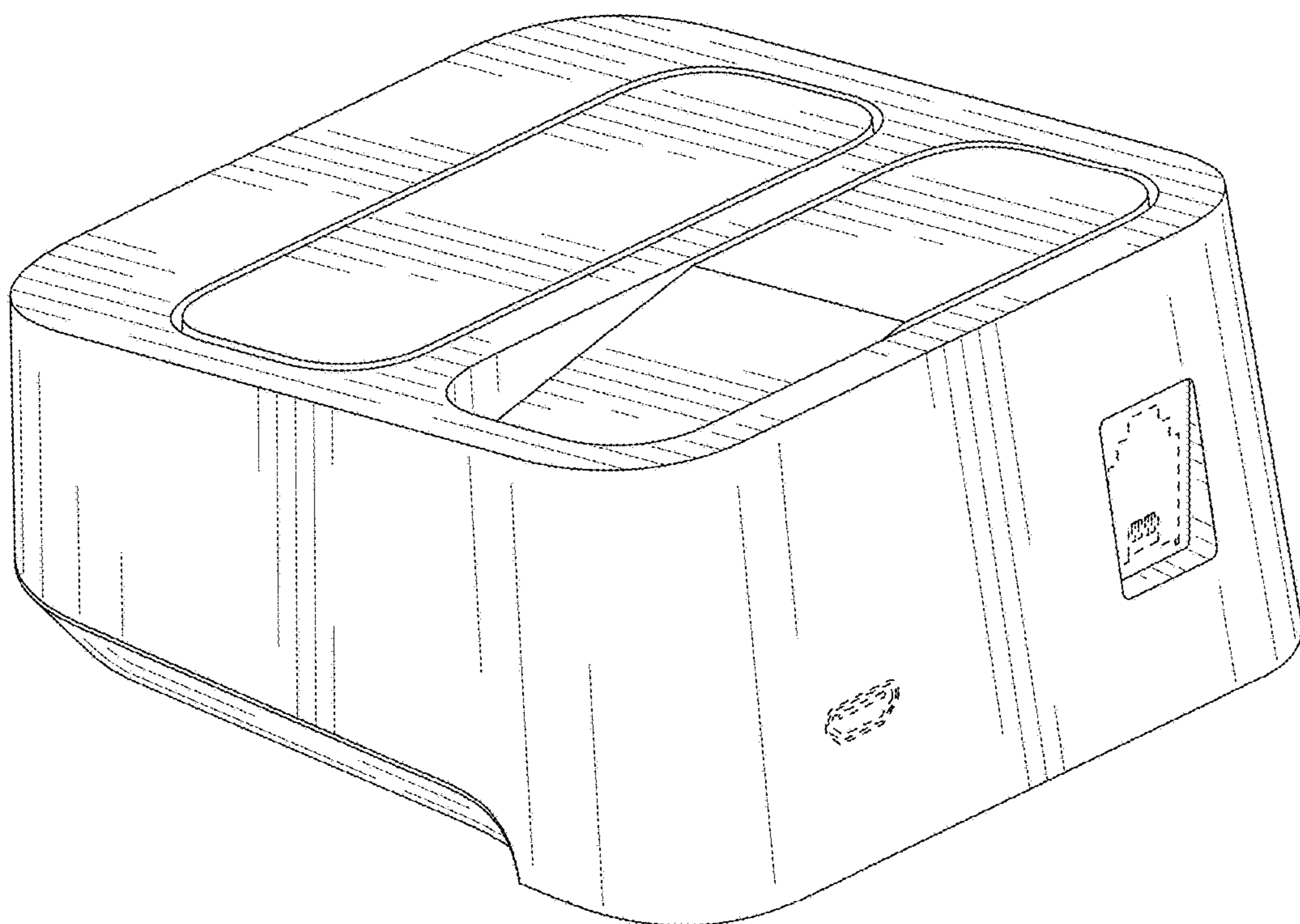


FIG. 2

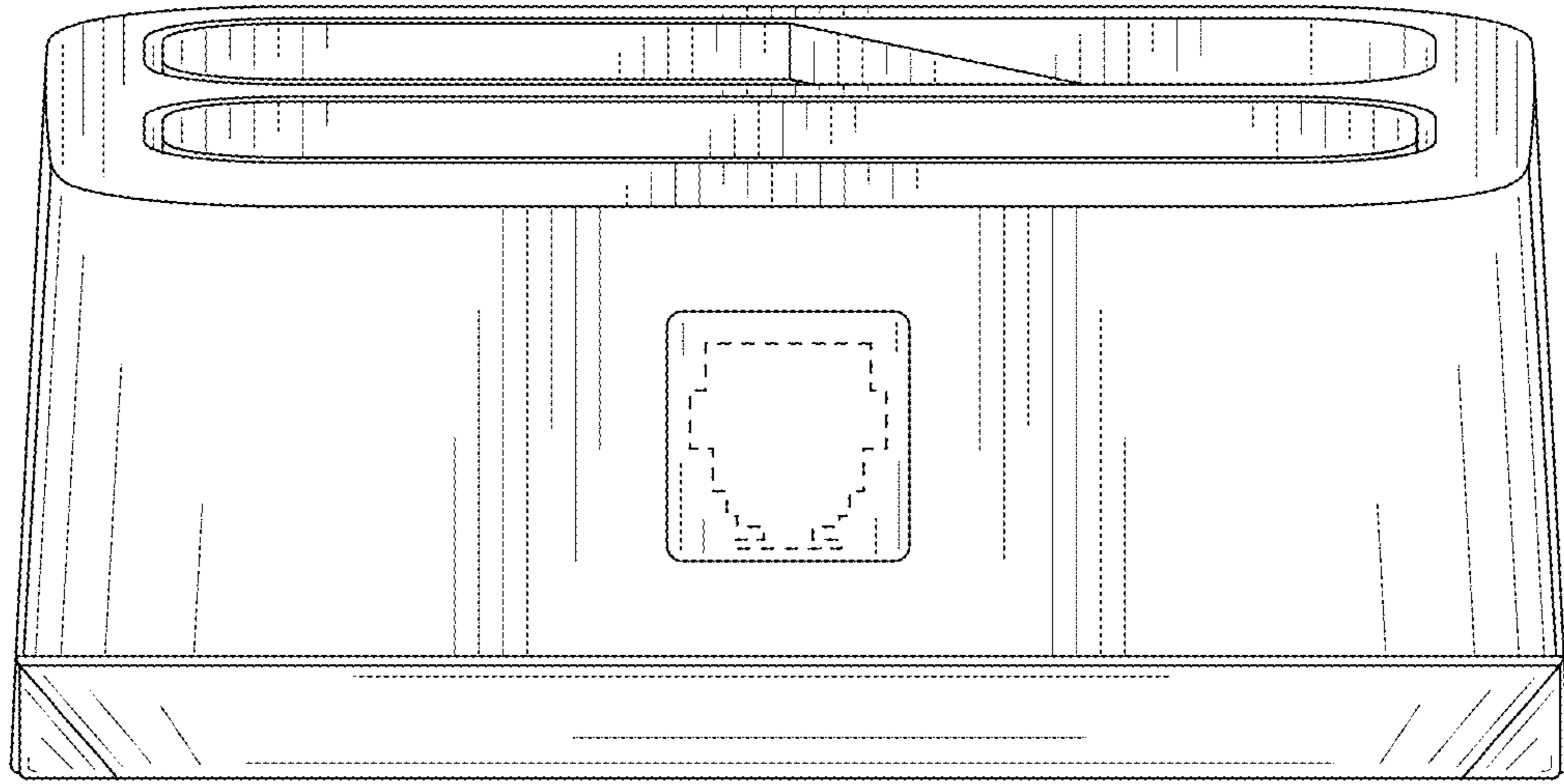


FIG. 3

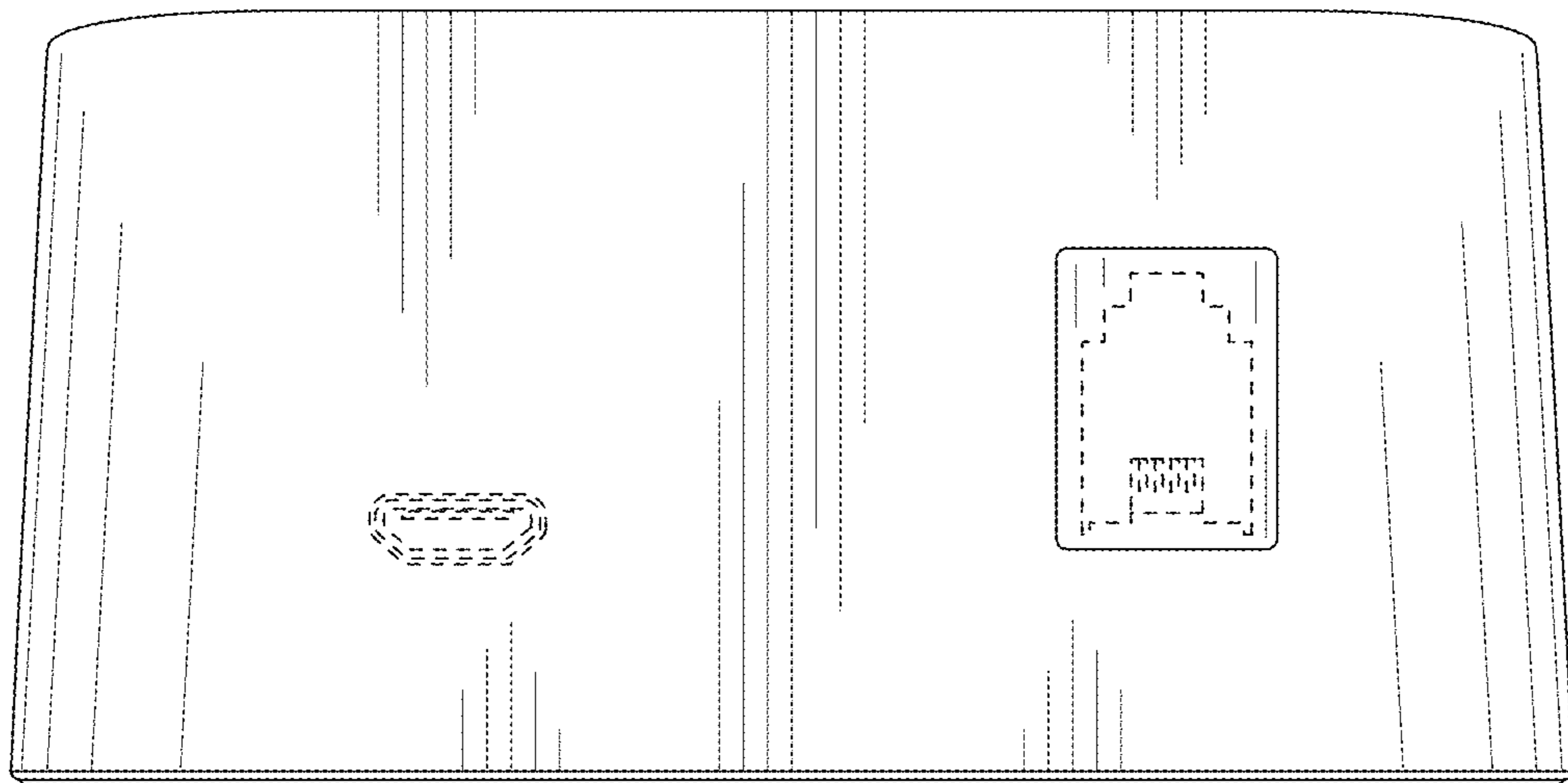


FIG. 4

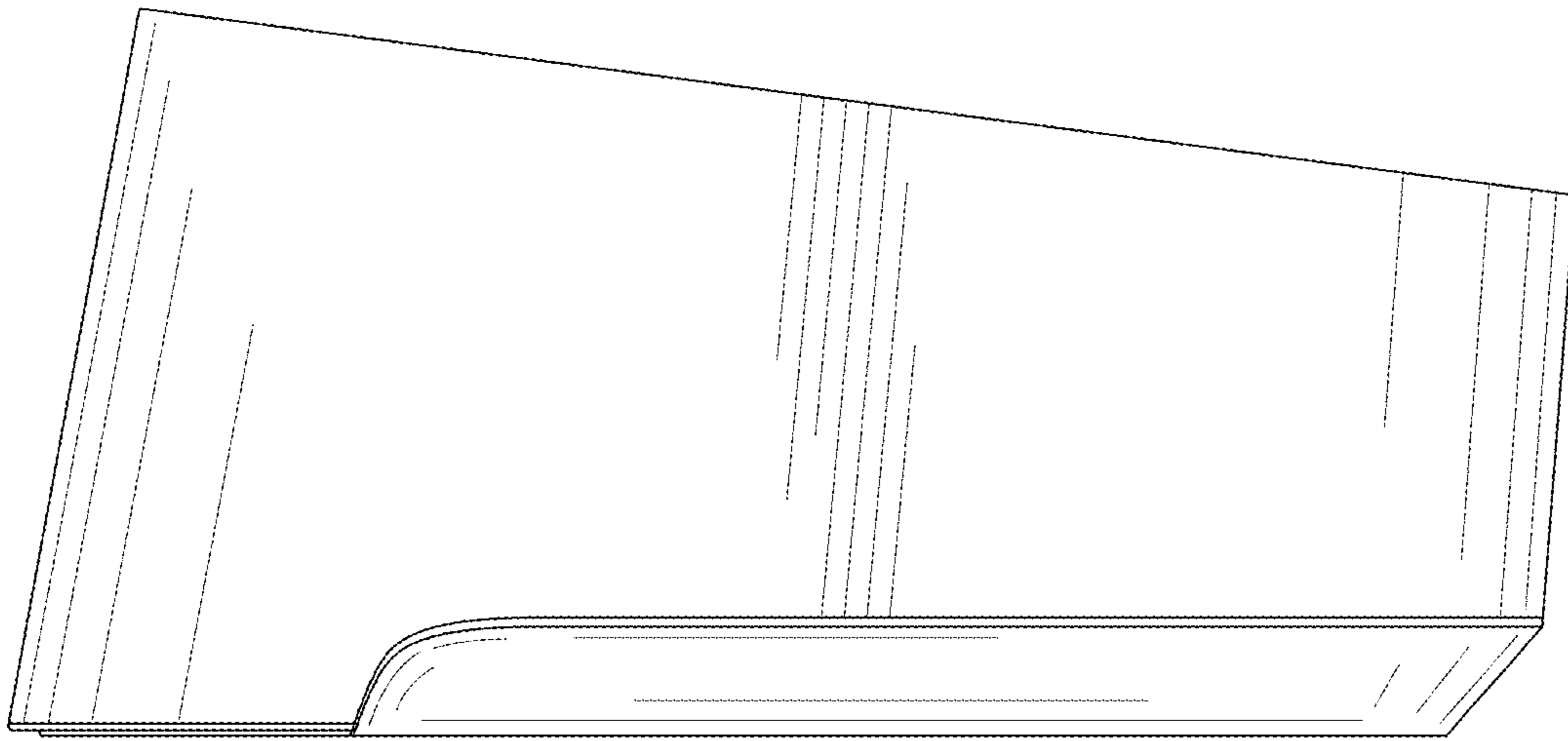


FIG. 5

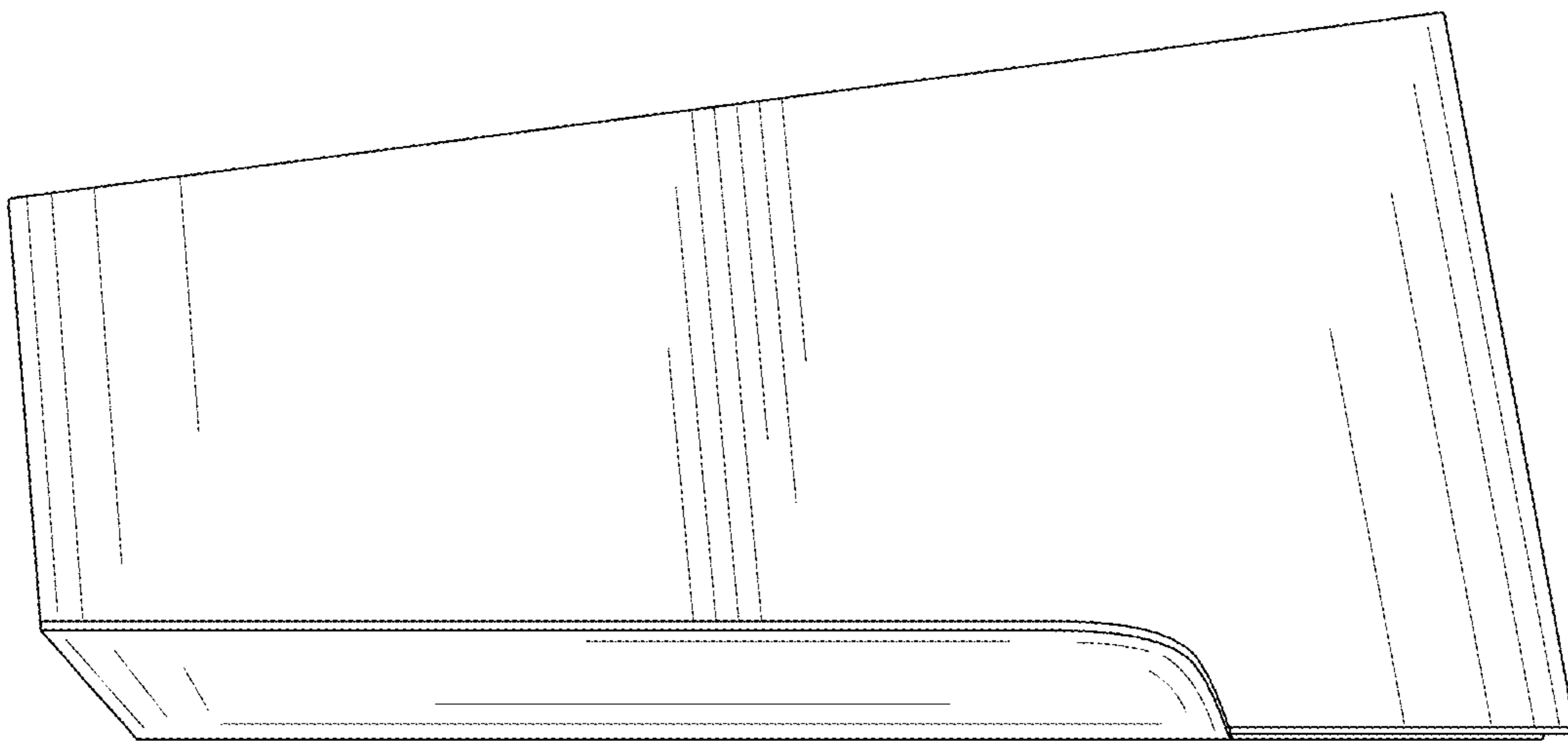


FIG. 6

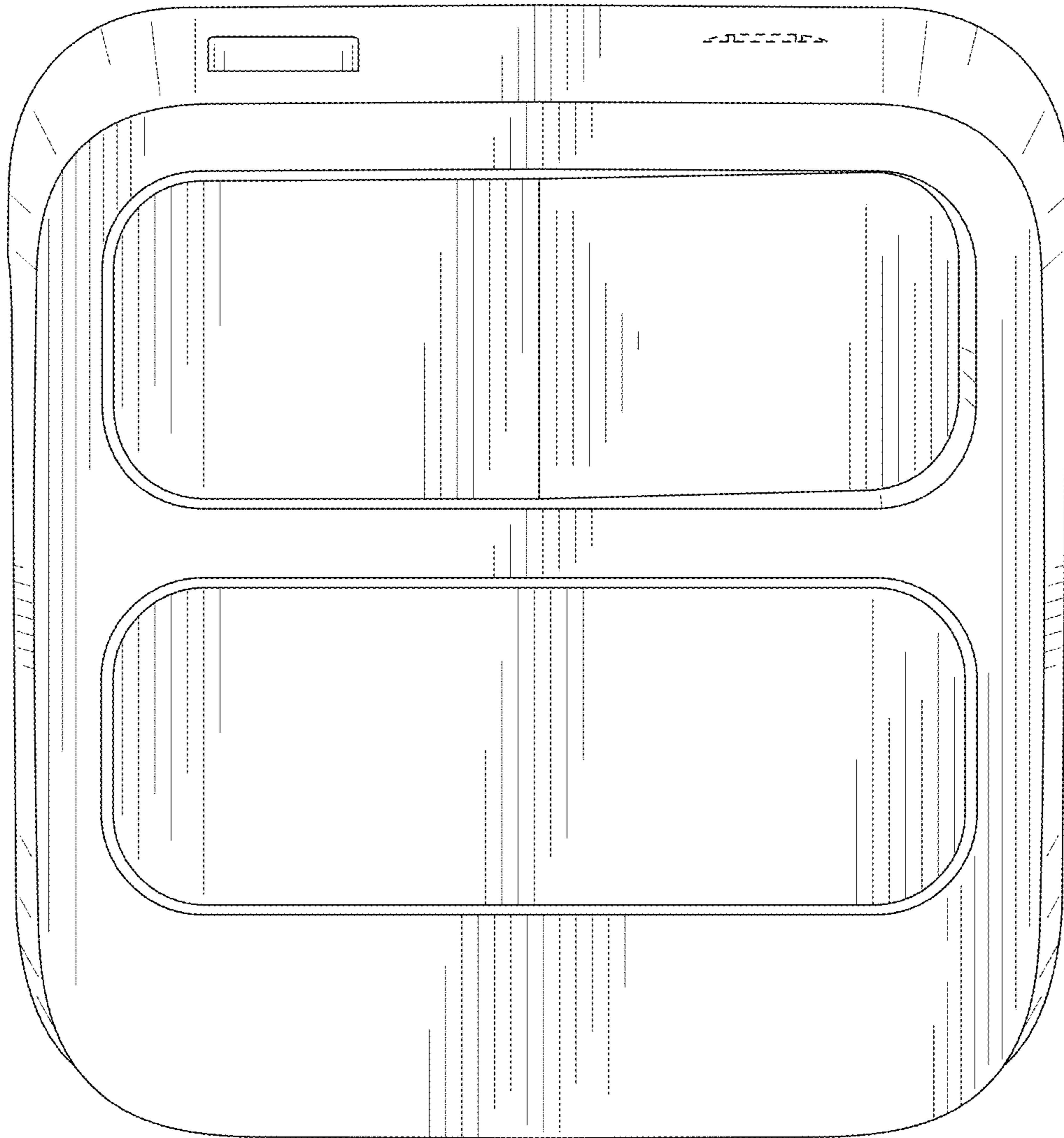


FIG. 7

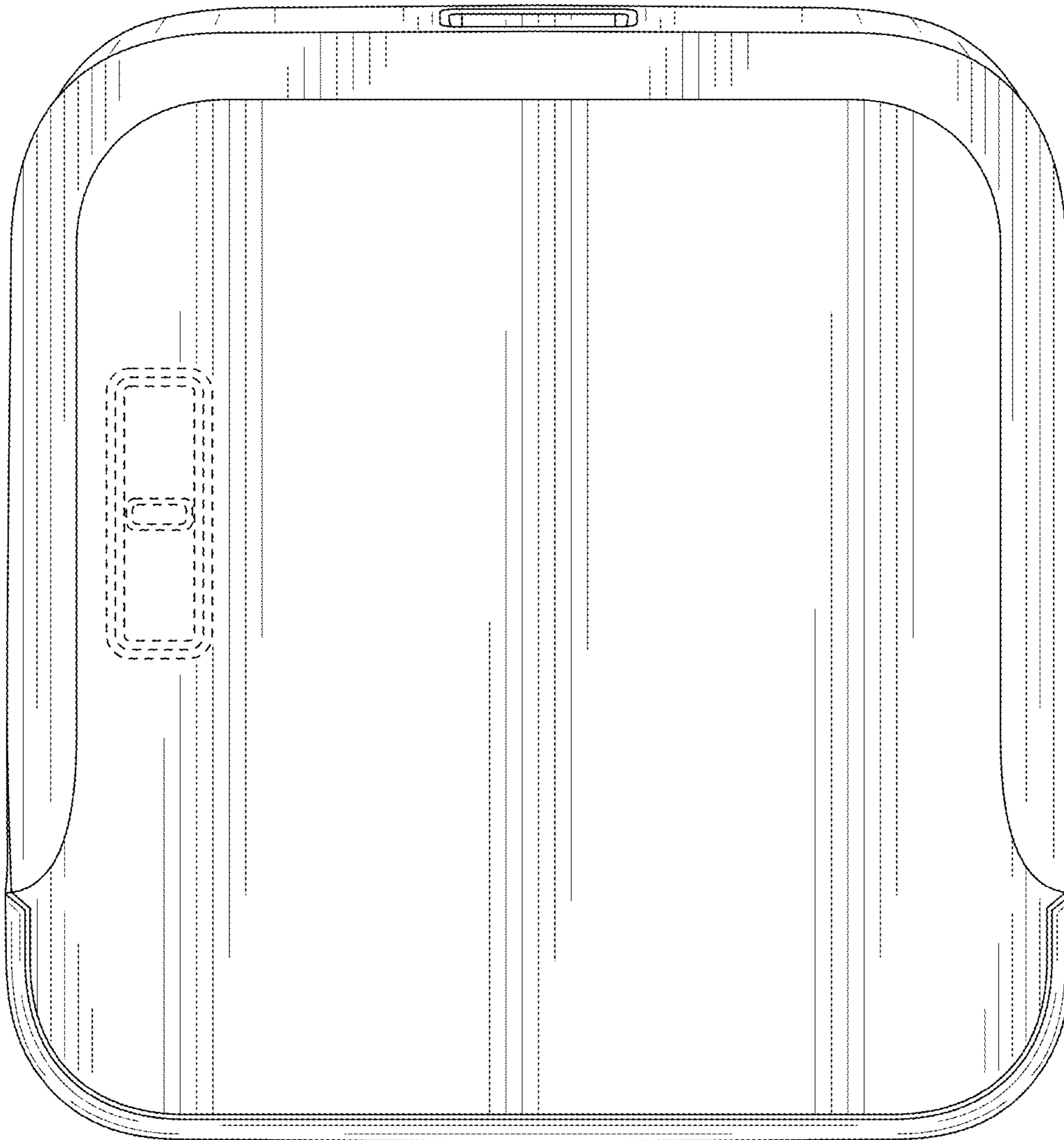


FIG. 8