



US00D795840S

(12) **United States Design Patent**  
**Kuramoto**

(10) **Patent No.:** **US D795,840 S**

(45) **Date of Patent:** **\*\* Aug. 29, 2017**

(54) **AUDIO MIXER**

(71) Applicant: **Pioneer DJ CORPORATION**,  
Yokohama-shi, Kanagawa (JP)

(72) Inventor: **Takahiro Kuramoto**, Yokohama (JP)

(73) Assignee: **Pioneer DJ CORPORATION**,  
Yokohama-shi, Kanagawa (JP)

(\*\*) Term: **15 Years**

(21) Appl. No.: **29/574,771**

(22) Filed: **Aug. 18, 2016**

(51) **LOC (10) Cl.** ..... **14-03**

(52) **U.S. Cl.**  
USPC ..... **D14/217**

(58) **Field of Classification Search**  
USPC ..... D14/217, 257, 258, 434, 496, 162, 167,  
D14/175, 188, 196-198  
CPC .. G10H 2210/241; G10H 1/0066; G10H 1/46;  
G10H 2240/325; G10H 2250/631; G10H  
1/00; G10H 1/0008; G10H 1/0025; G10H  
1/0091; G10H 1/125; G10H 2210/051;  
G10H 2210/056; G10H 2210/066; G10H  
2210/125; G10H 2210/321; G10H  
2230/291; G10H 2240/026; G10H  
2240/285; G10H 2240/305; G10H  
2240/311; G10H 2250/025; G10H  
2250/031; G10H 2250/035; G10H  
2250/435; G10H 2250/571; G10H  
2250/641; G10H 3/146; G10H 5/005;  
G10H 7/02; G10H 7/06

See application file for complete search history.

(56) **References Cited**

**U.S. PATENT DOCUMENTS**

D665,778 S \* 8/2012 Langlois ..... D14/217  
D680,519 S \* 4/2013 Ito ..... D14/217  
D692,414 S \* 10/2013 Ito ..... D14/217  
D717,278 S \* 11/2014 Amiya ..... D14/217

D748,607 S \* 2/2016 Ito ..... D14/217  
D760,196 S \* 6/2016 O'Donnell ..... D14/217  
D765,620 S \* 9/2016 Kitamura ..... D14/217  
D771,020 S \* 11/2016 O'Donnell ..... D14/217  
D772,200 S \* 11/2016 Tschetter ..... D14/217

(Continued)

**OTHER PUBLICATIONS**

U.S. Appl. No. 29/574,775, filed Aug. 18, 2016, Takahiro Kuramoto.

*Primary Examiner* — Ian Simmons

*Assistant Examiner* — Khawaja Anwar

(74) *Attorney, Agent, or Firm* — Drinker Biddle & Reath LLP

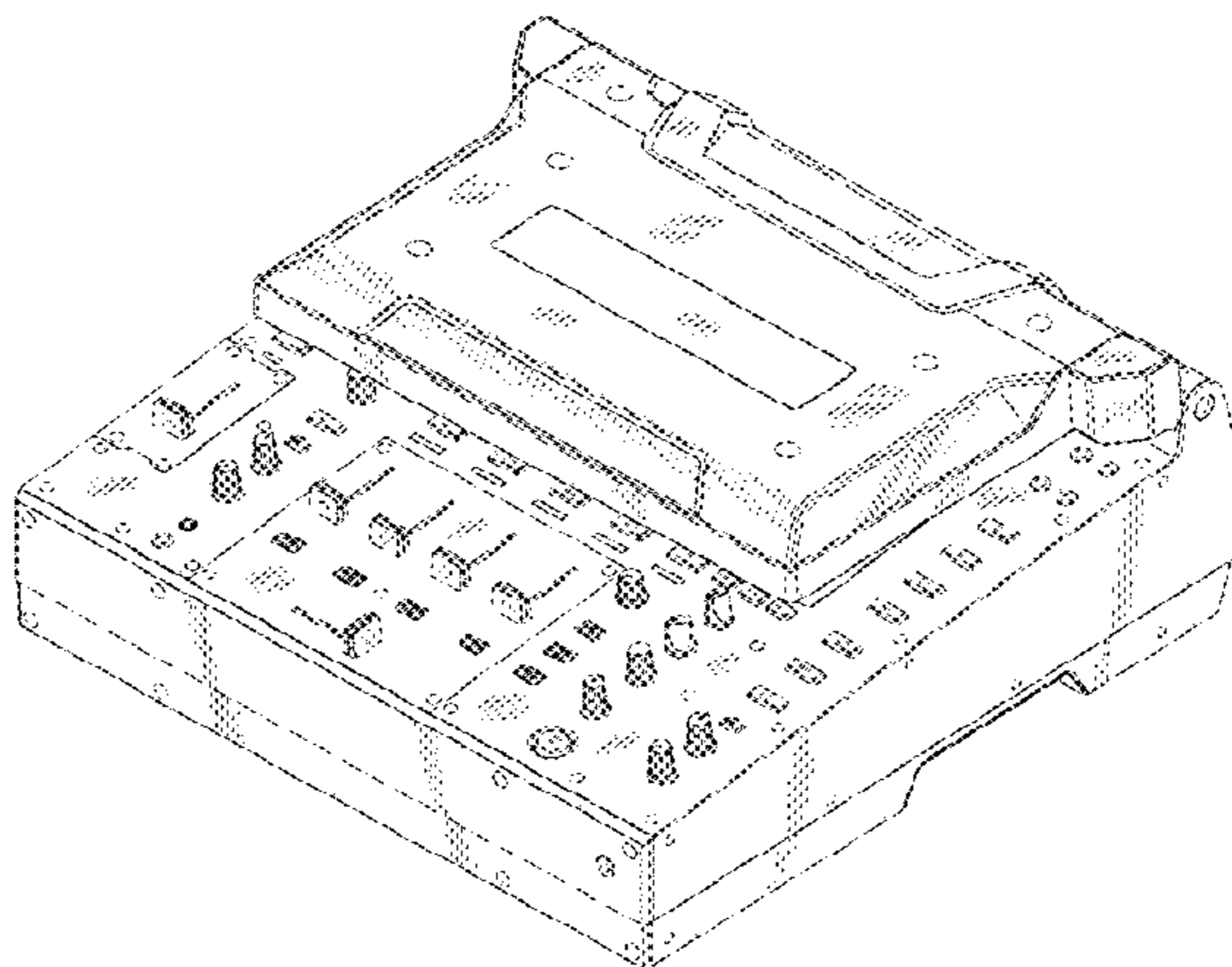
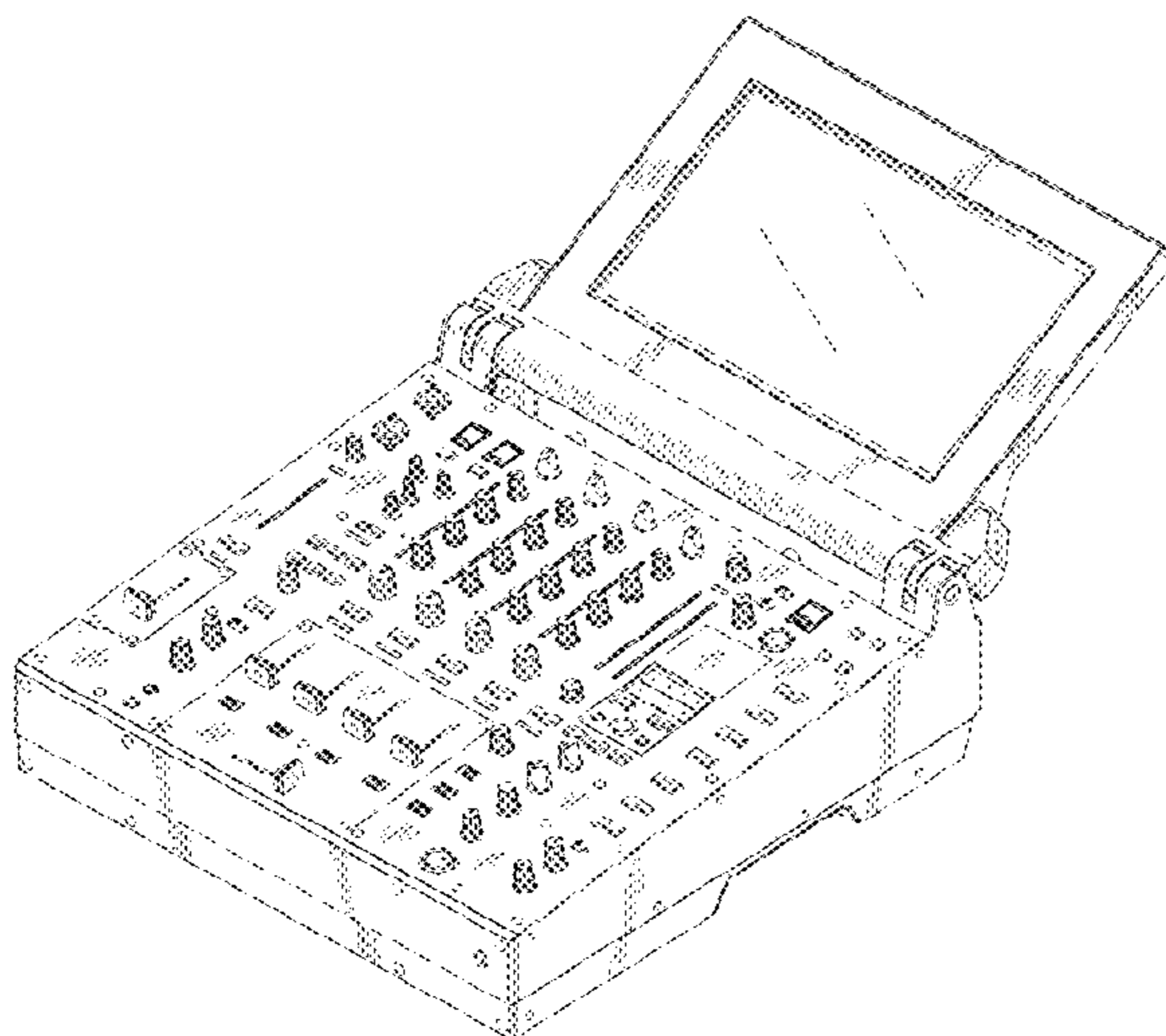
(57) **CLAIM**

I claim the ornamental design for an audio mixer, as shown and described.

**DESCRIPTION**

FIG. 1 is an upper perspective view showing the design at the open state;  
FIG. 2 is a lower perspective view thereof;  
FIG. 3 is a front view thereof;  
FIG. 4 is a rear view thereof;  
FIG. 5 is a left-side view thereof;  
FIG. 6 is a right-side view thereof;  
FIG. 7 is a top view thereof;  
FIG. 8 is a bottom view thereof;  
FIG. 9 is an upper perspective view showing the design at the closed state;  
FIG. 10 is a lower perspective view thereof;  
FIG. 11 is a front view thereof;  
FIG. 12 is a rear view thereof;  
FIG. 13 is a left-side view thereof;  
FIG. 14 is a right-side view thereof;  
FIG. 15 is a top view thereof; and,  
FIG. 16 is a bottom view thereof.

**1 Claim, 16 Drawing Sheets**



(56)

**References Cited**

U.S. PATENT DOCUMENTS

D780,718 S \* 3/2017 Jackson ..... D14/217  
D783,001 S \* 4/2017 Tschetter ..... D14/217

\* cited by examiner

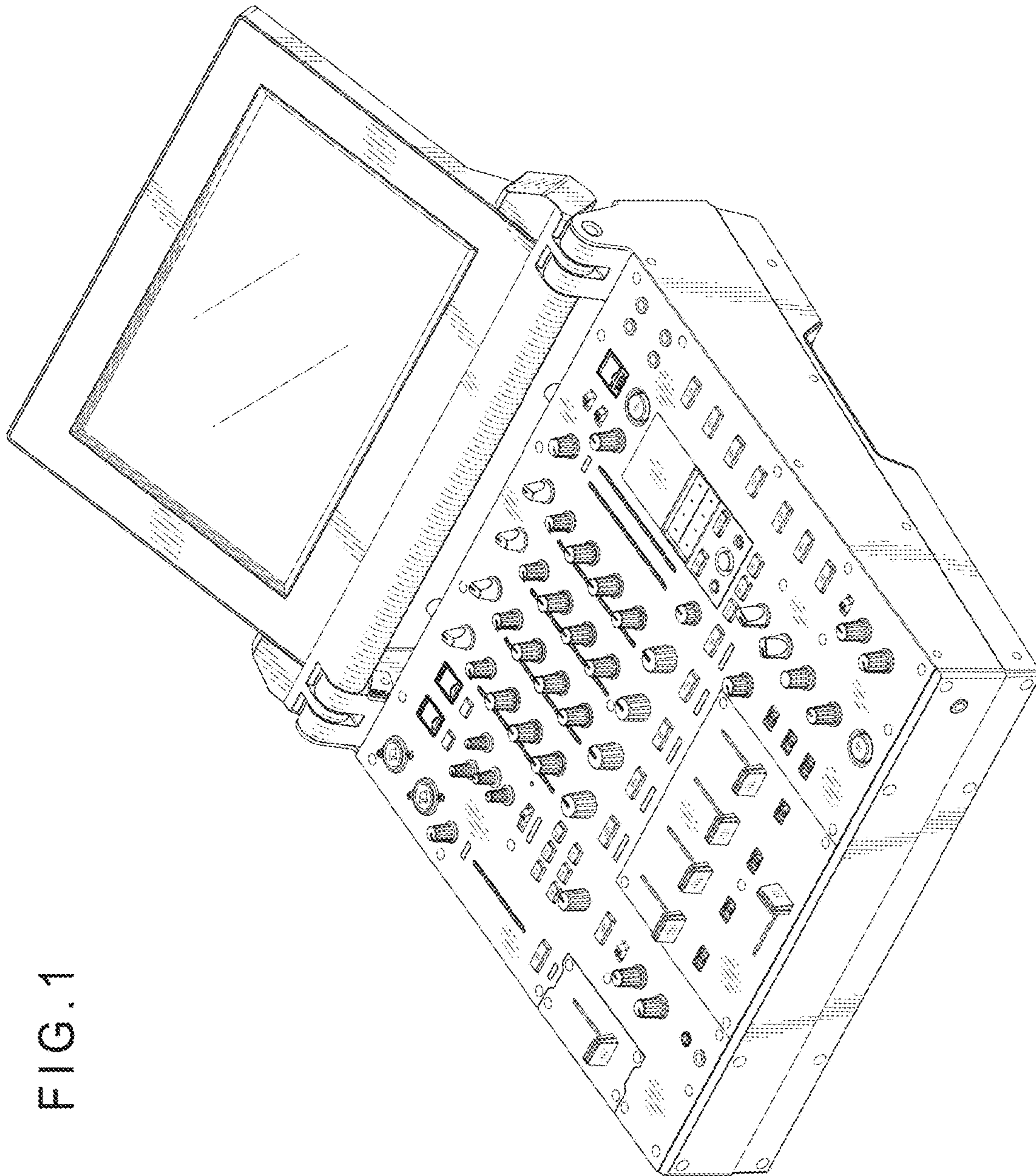


FIG. 1

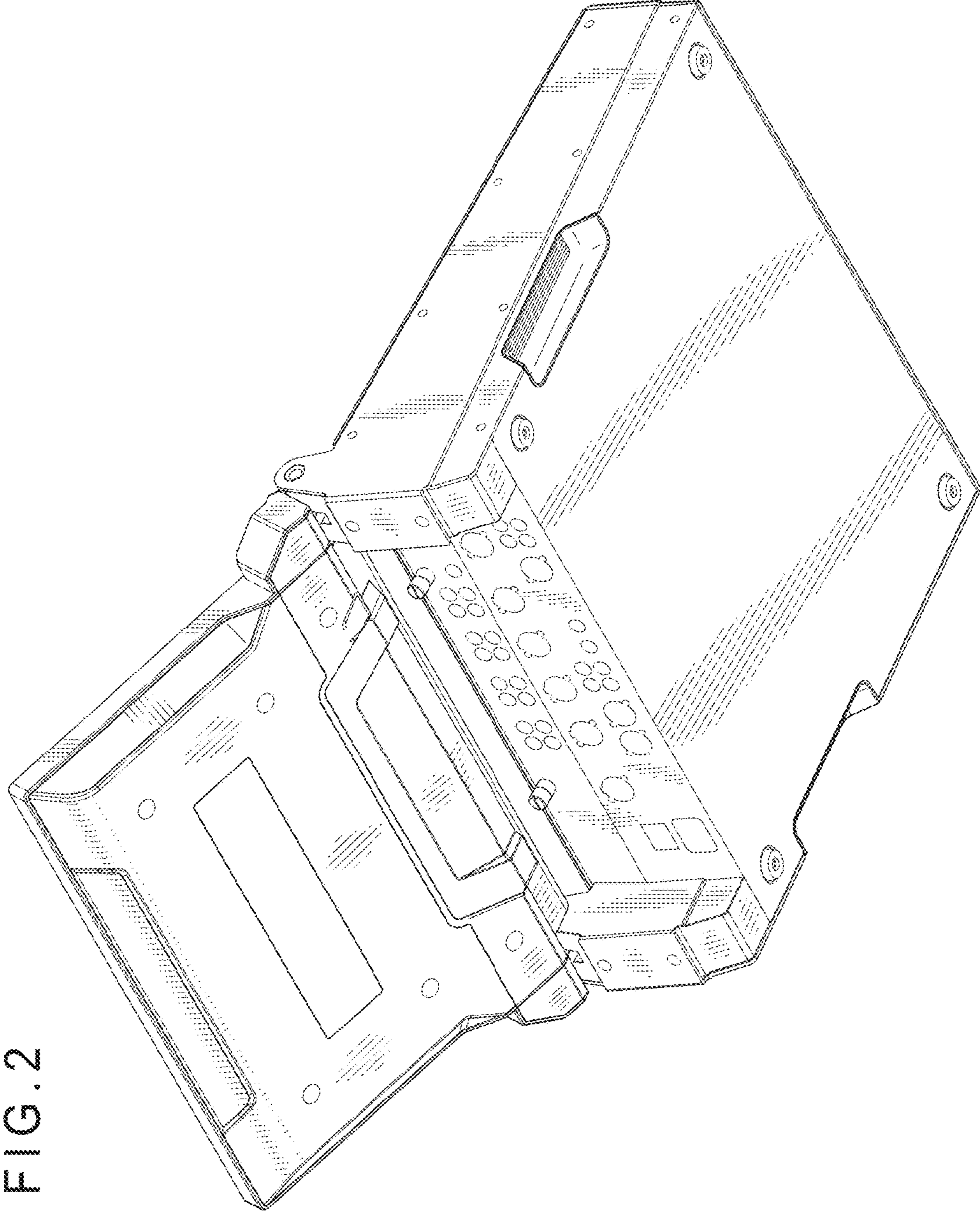


FIG. 2

FIG. 3

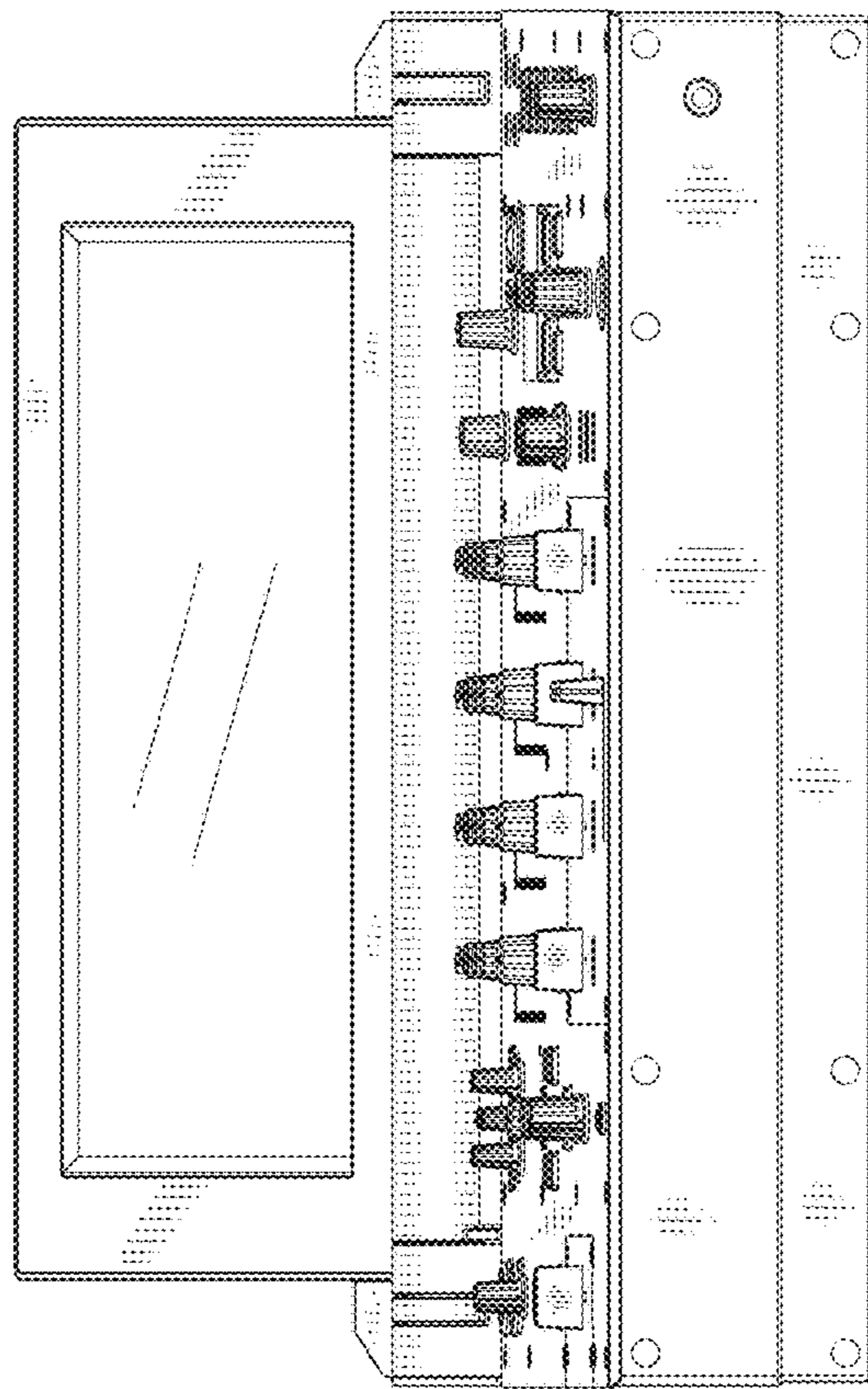


FIG. 4

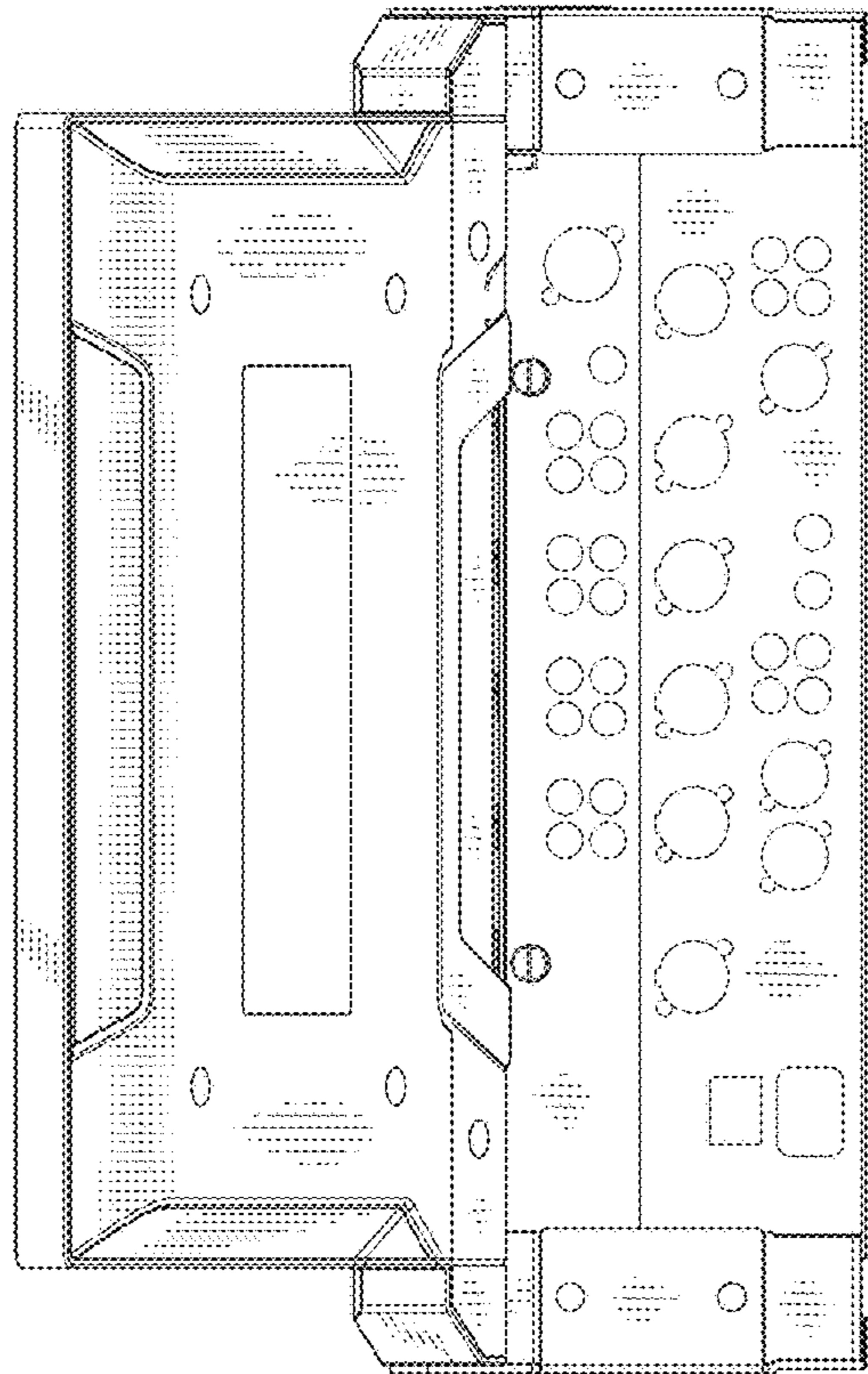


FIG. 5

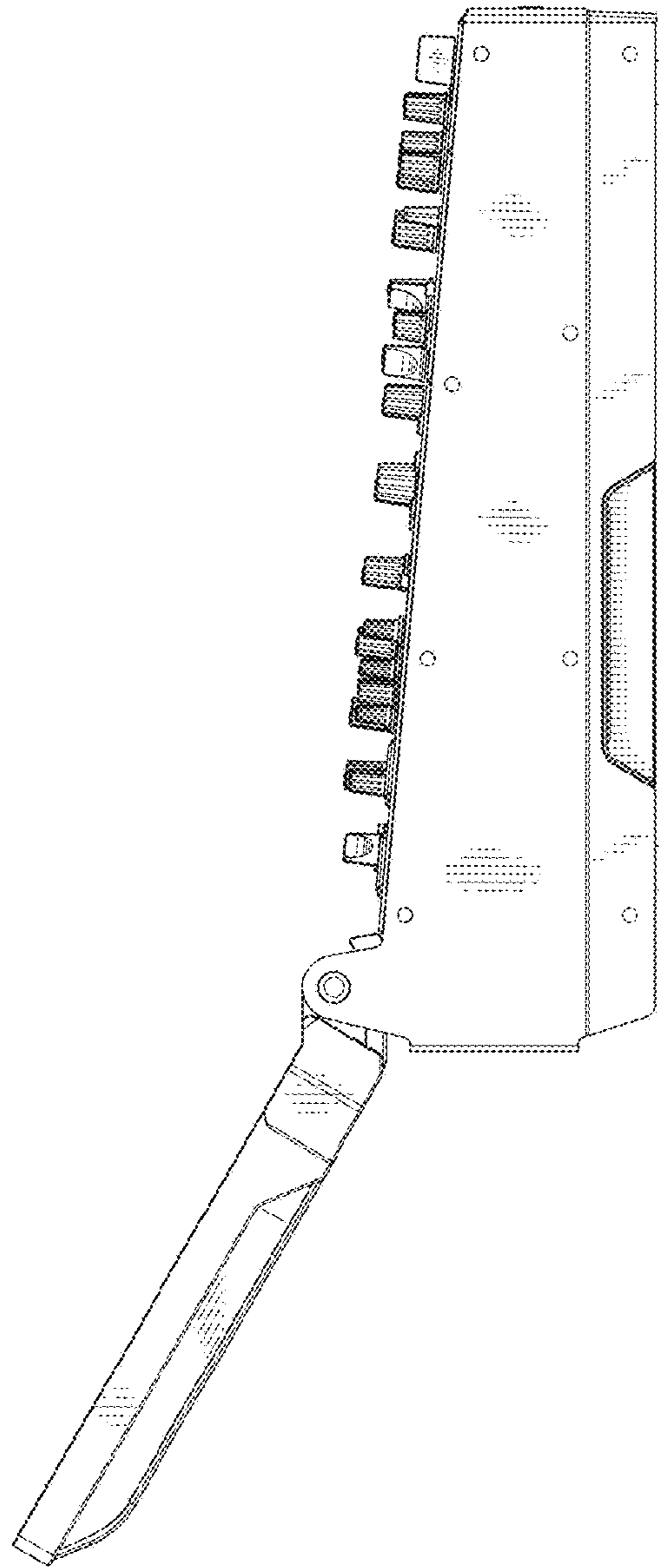
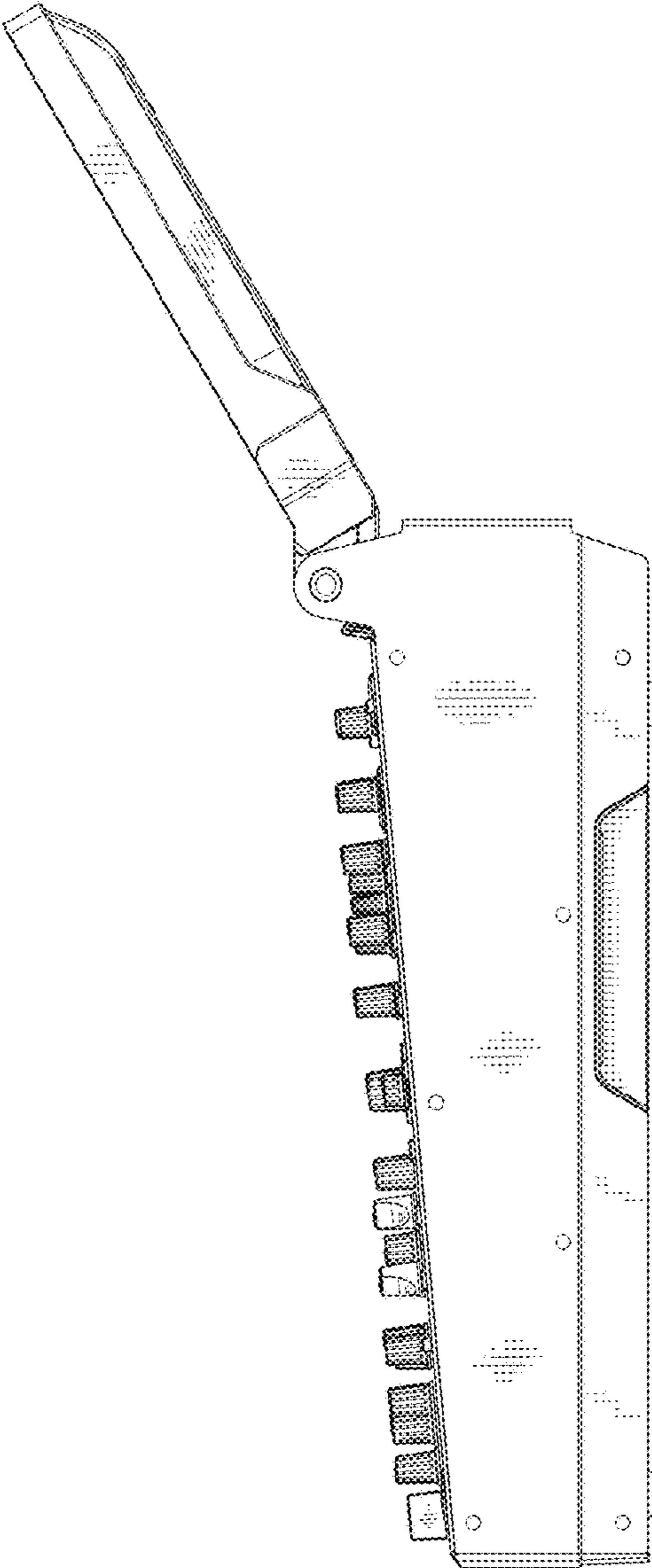


FIG. 6





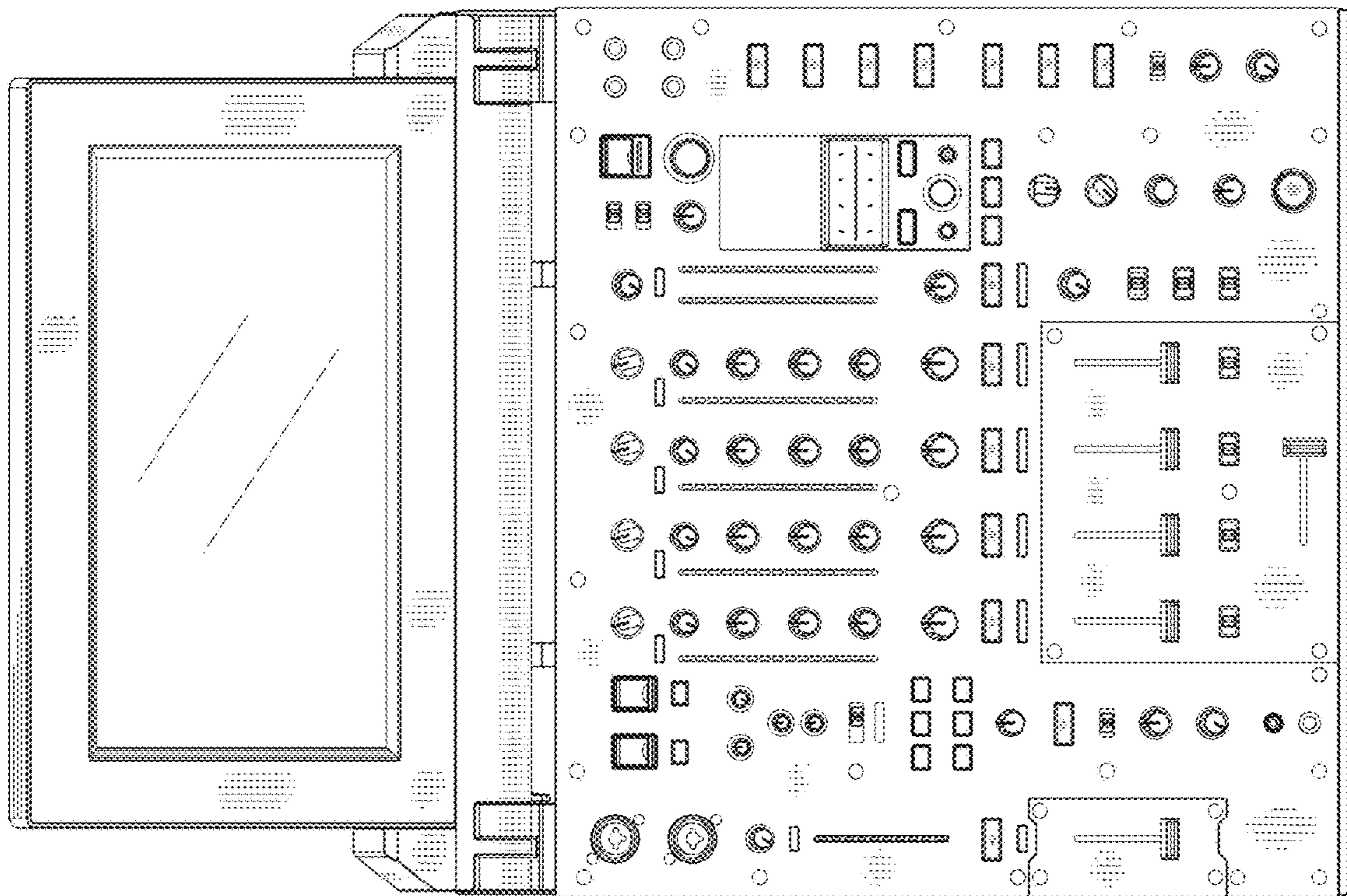


FIG. 7

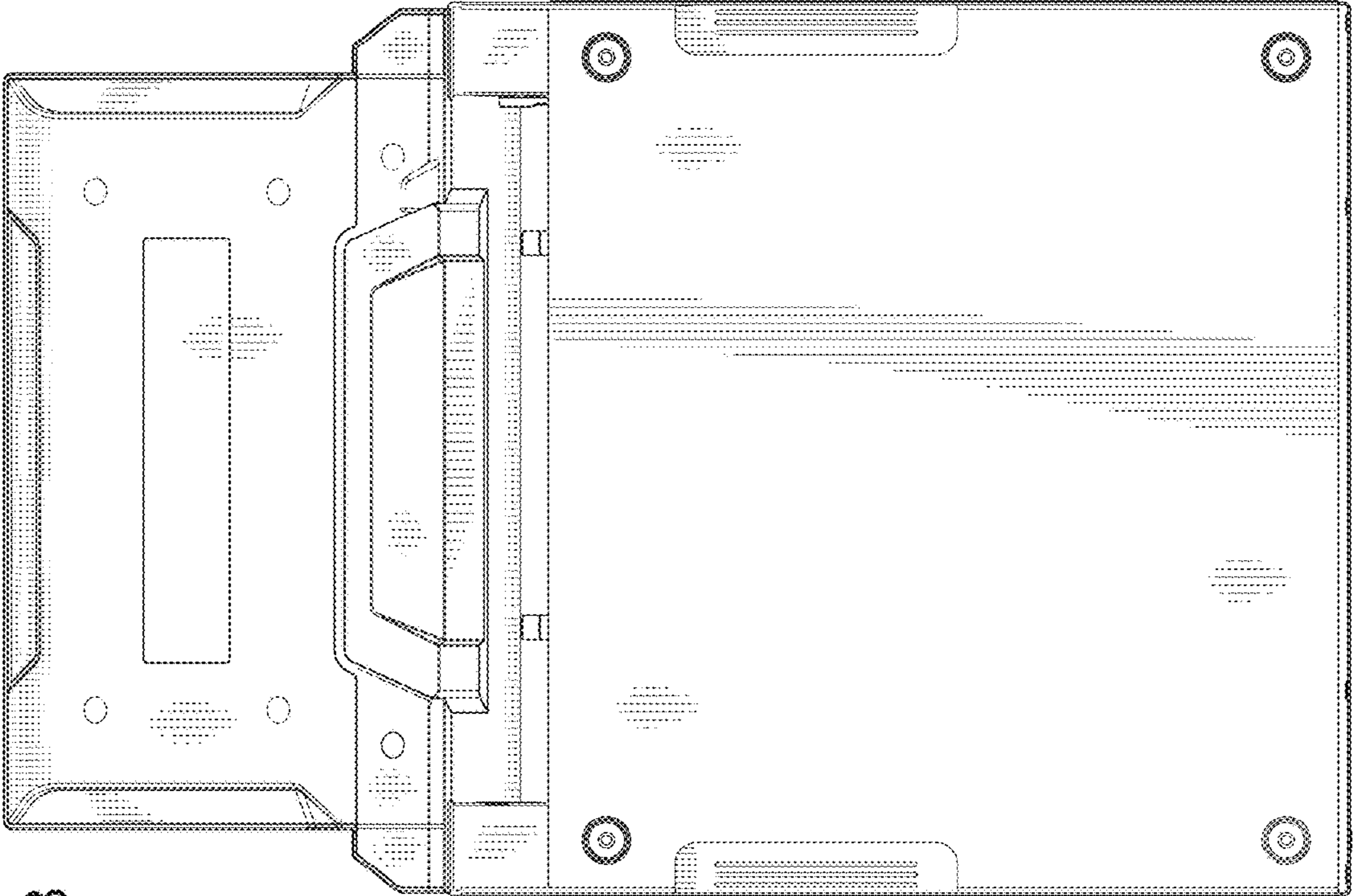


FIG. 8

FIG. 9

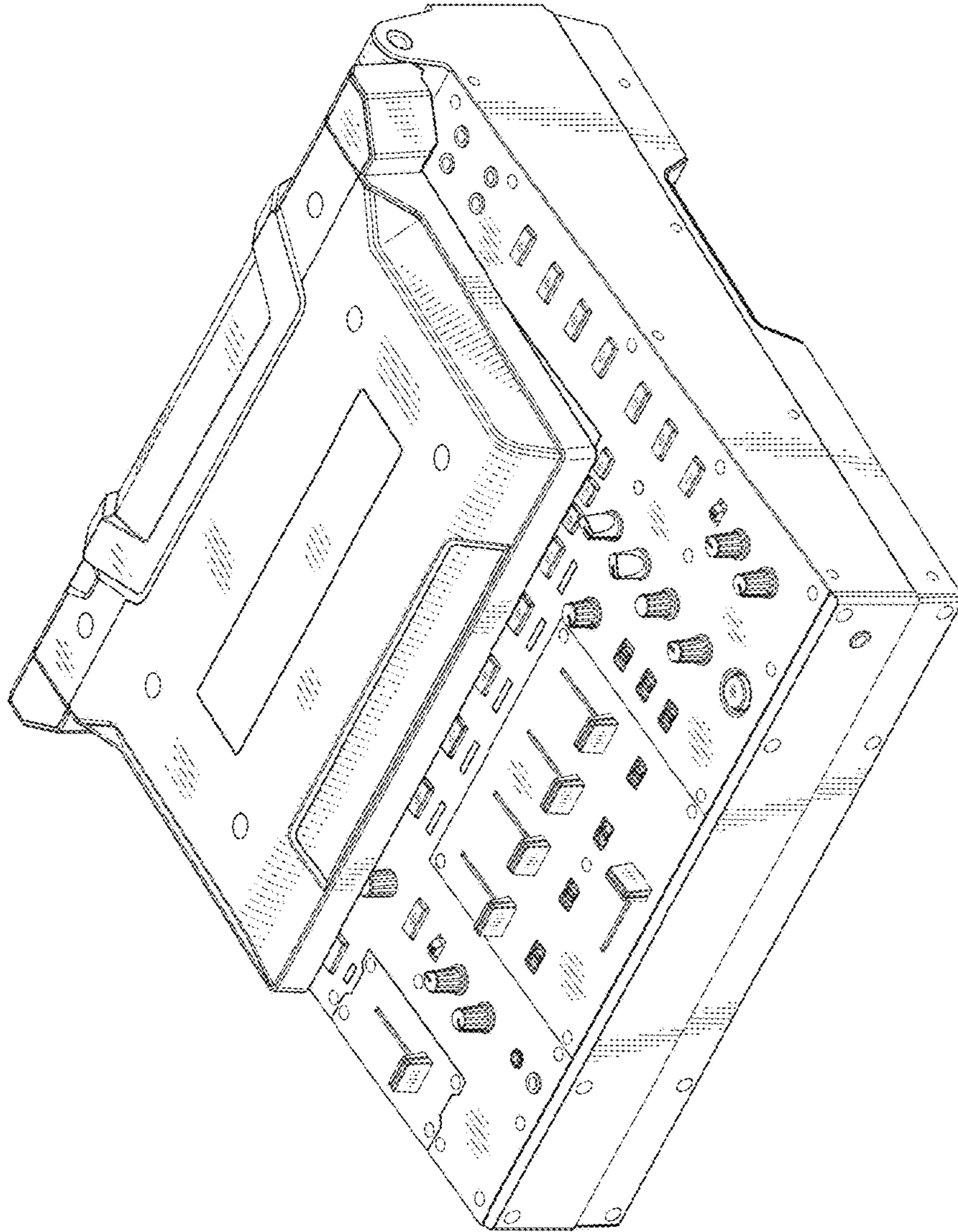


FIG. 10

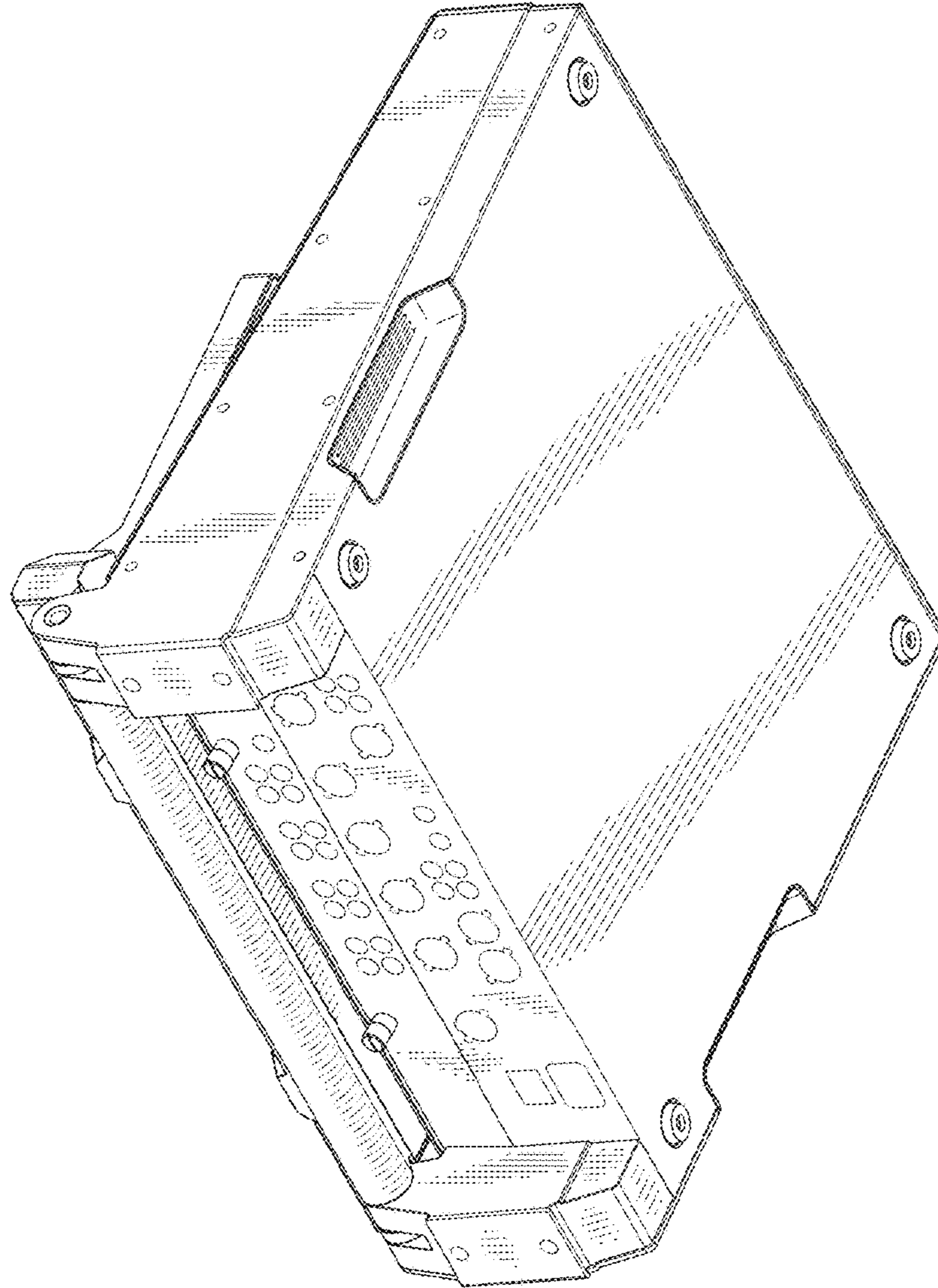


FIG. 11

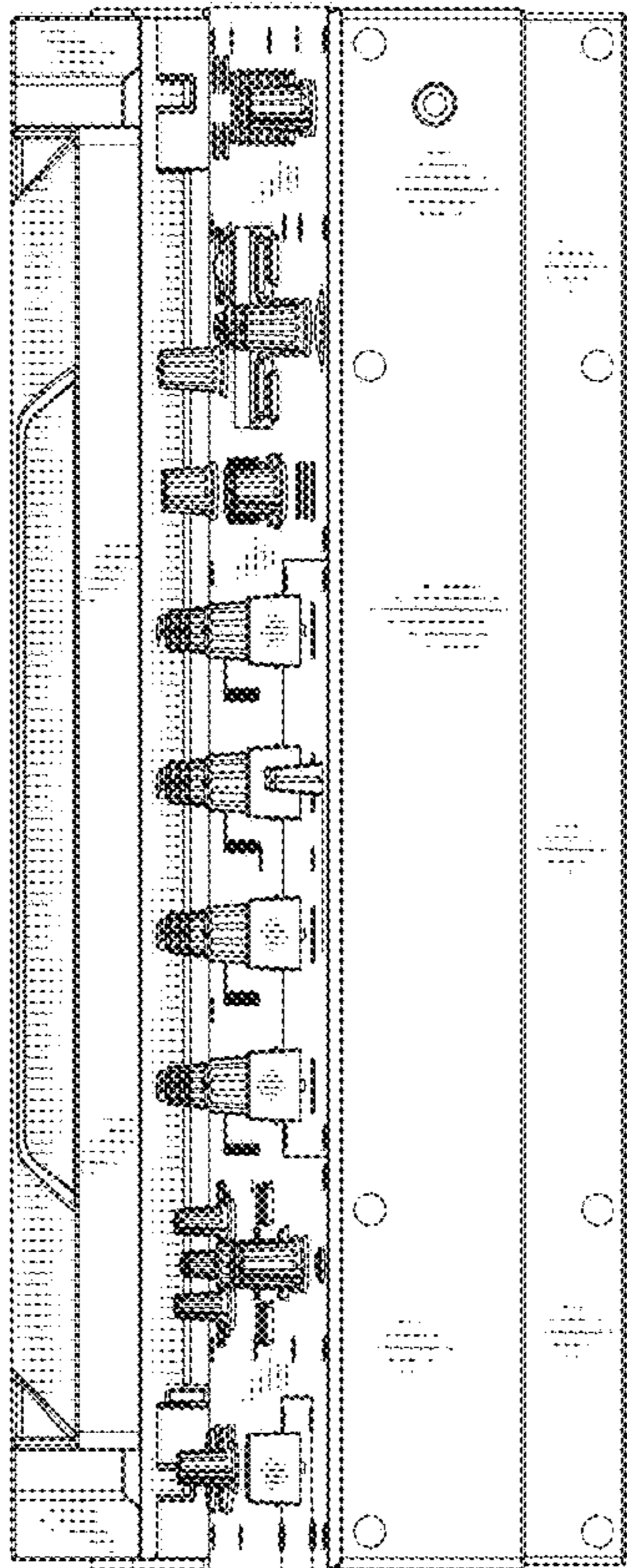


FIG. 12

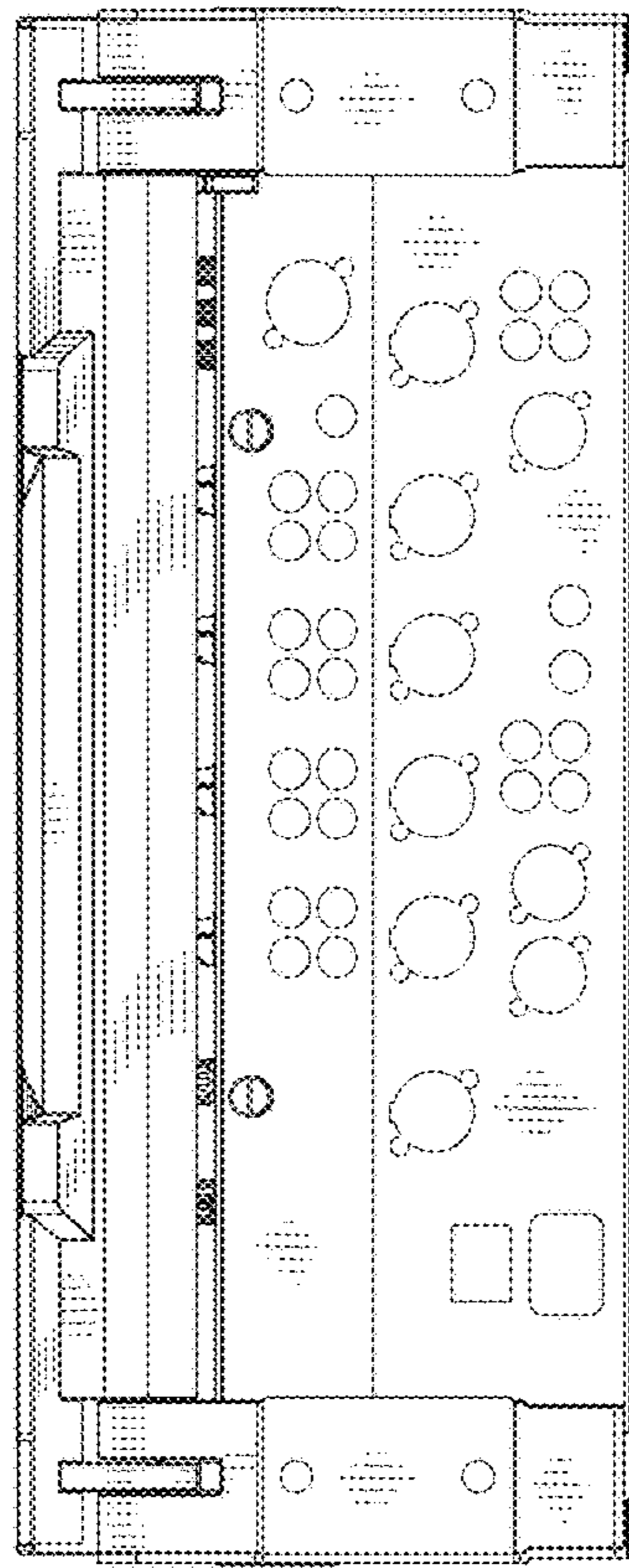


FIG. 13

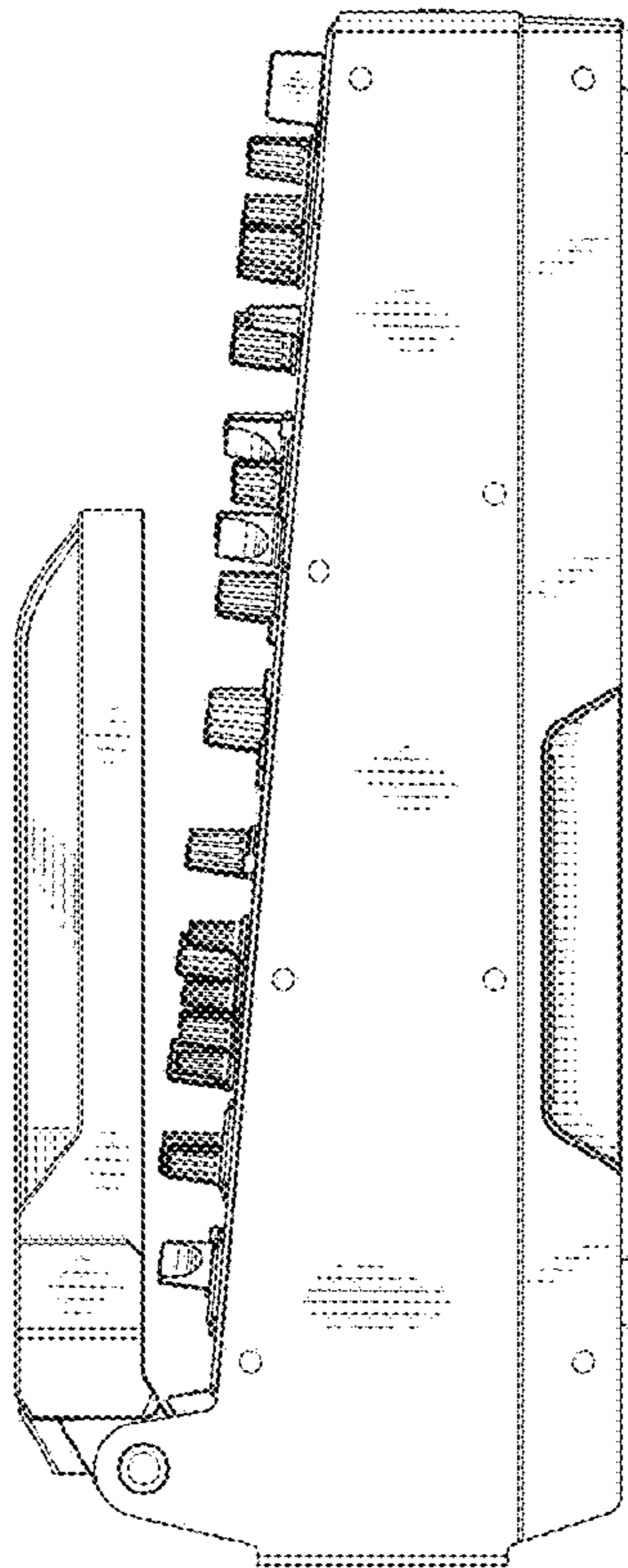


FIG. 14

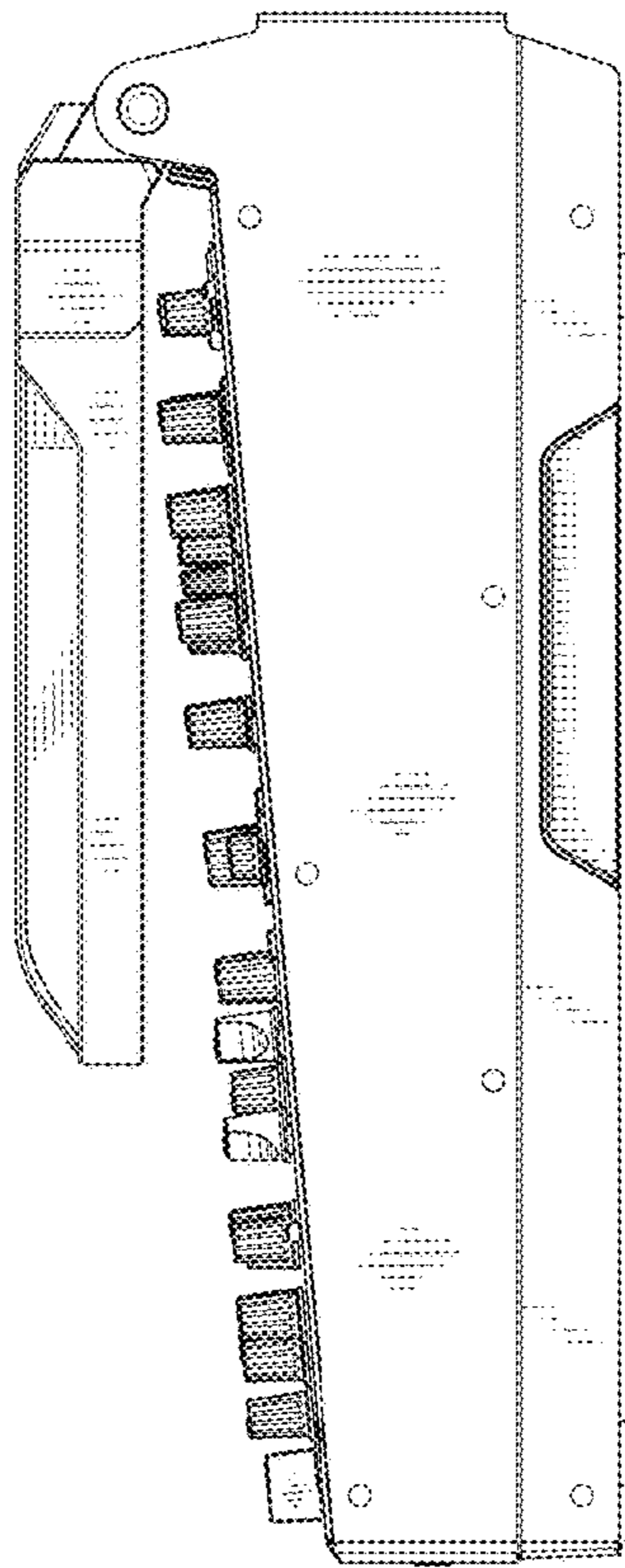




FIG. 15

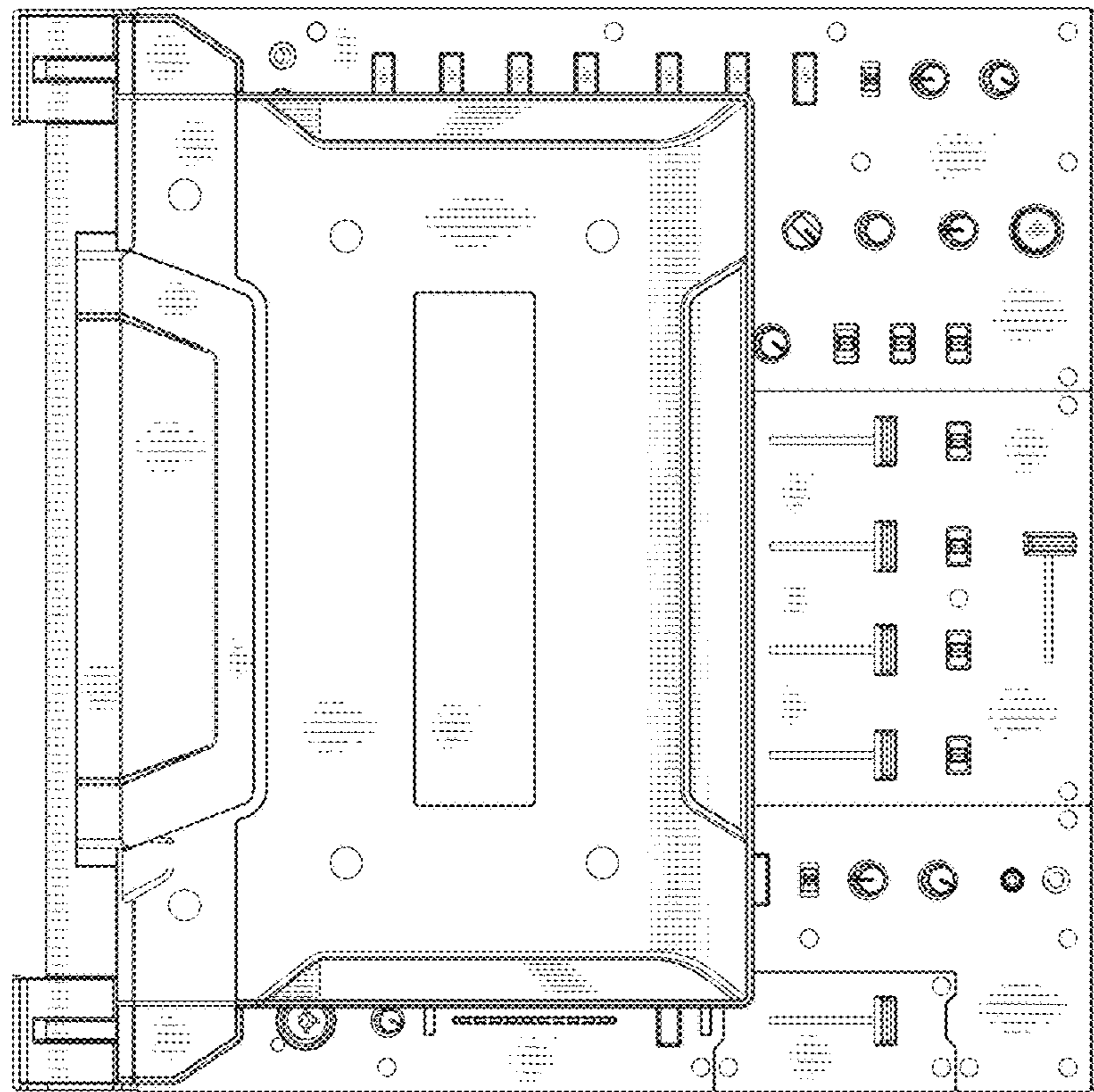


FIG. 16

