



US00D795833S

(12) **United States Design Patent**
Zhou

(10) **Patent No.:** **US D795,833 S**

(45) **Date of Patent:** **** Aug. 29, 2017**

(54) **SMART MONITOR**

(71) Applicant: **Shenzhen Sunlight Security Electronics Co., Ltd., Shenzhen (CN)**

(72) Inventor: **Zhicheng Zhou, Shenzhen (CN)**

(73) Assignee: **Shenzhen Sunlight Security Electronics Co., Ltd, Shenzhen (CN)**

(**) Term: **15 Years**

(21) Appl. No.: **29/578,371**

(22) Filed: **Sep. 21, 2016**

(51) **LOC (10) Cl.** **14-03**

(52) **U.S. Cl.**
USPC **D14/159**

(58) **Field of Classification Search**
USPC D14/167, 154, 168, 188, 496, 156, 160,
D14/161, 162, 163, 164, 165, 158, 253,
D14/192, 159, 155, 138 AB, 137, 104.1;
455/351, 350, 353; D10/104, 106, 65,
D10/78; 340/573.4, 573.1
CPC . G06F 3/16; G08B 3/00; H04M 11/00; H04N
7/14; H04N 7/26
See application file for complete search history.

(56) **References Cited**

U.S. PATENT DOCUMENTS

D569,819 S * 5/2008 Rinaldi D14/130
D583,776 S * 12/2008 Lacour D13/168

D590,730 S * 4/2009 Simard D10/50
D605,165 S * 12/2009 Sheba D14/203.7
D620,917 S * 8/2010 Hattori D14/159
D664,123 S * 7/2012 Nguyen D14/218
D752,012 S * 3/2016 Takahata D14/142
D766,864 S * 9/2016 Tani D14/159
D766,865 S * 9/2016 Tani D14/159

* cited by examiner

Primary Examiner — Austin Murphy

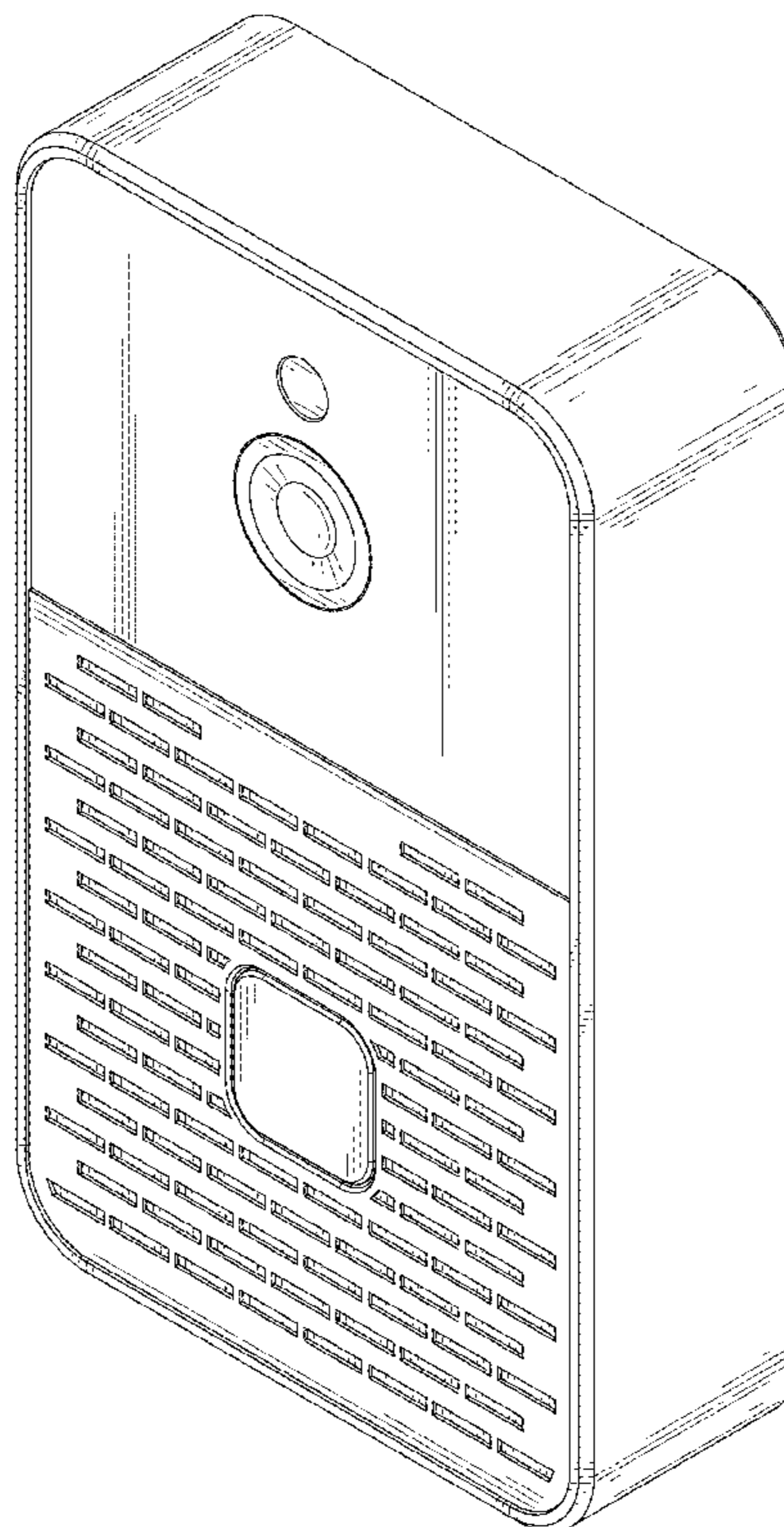
(57) **CLAIM**

The ornamental design for a smart monitor, as shown and described.

DESCRIPTION

FIG. 1 is a perspective view of the smart monitor showing my new design;
FIG. 2 is a front elevational view thereof;
FIG. 3 is a rear elevational view thereof;
FIG. 4 is a left side elevational view thereof;
FIG. 5 is a right side elevational view thereof;
FIG. 6 is a top plan view thereof; and,
FIG. 7 is a bottom plan view thereof.
The broken lines are for the purposes of illustrating portions of the smart monitor and form no part of claimed design.

1 Claim, 7 Drawing Sheets



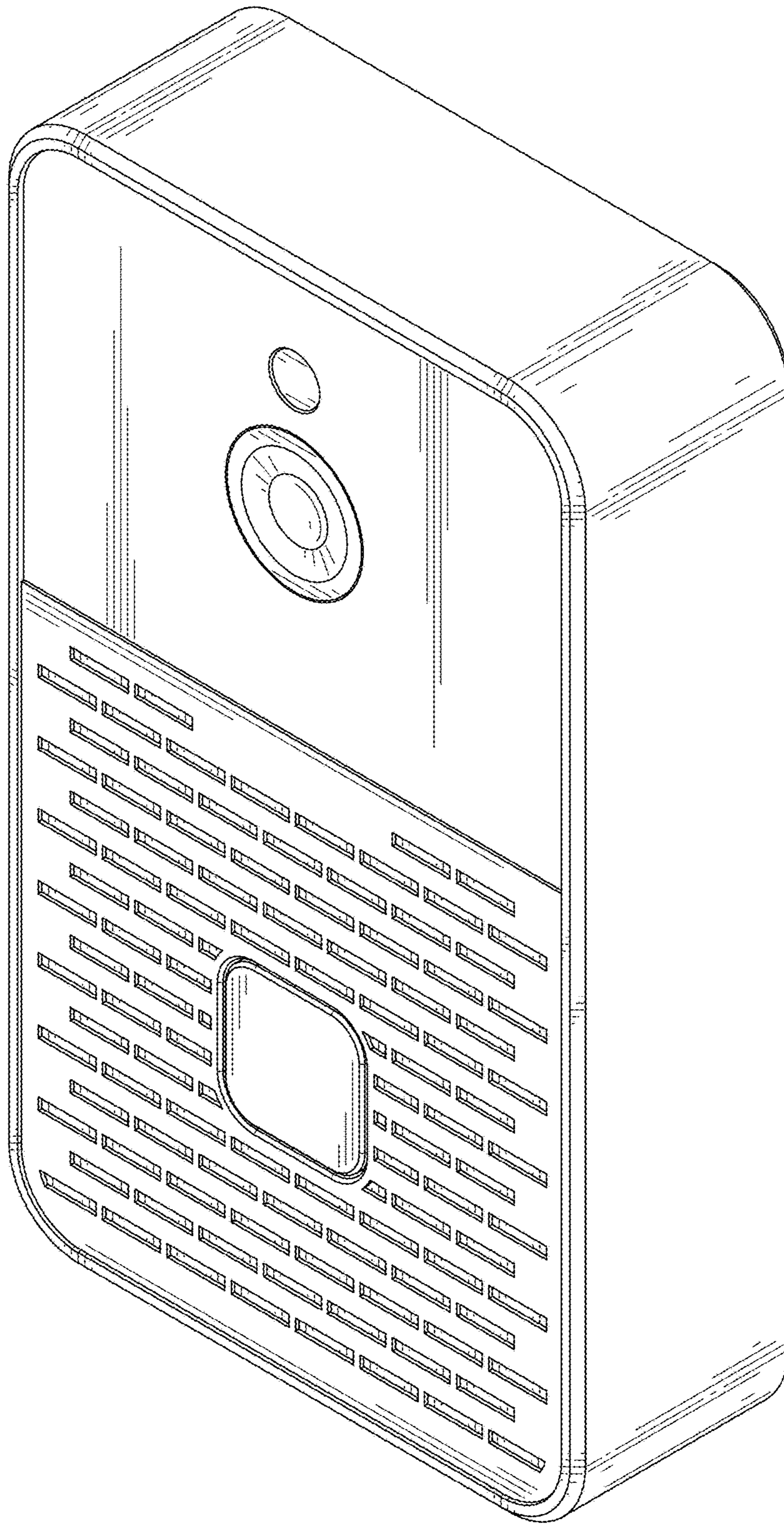


FIG. 1

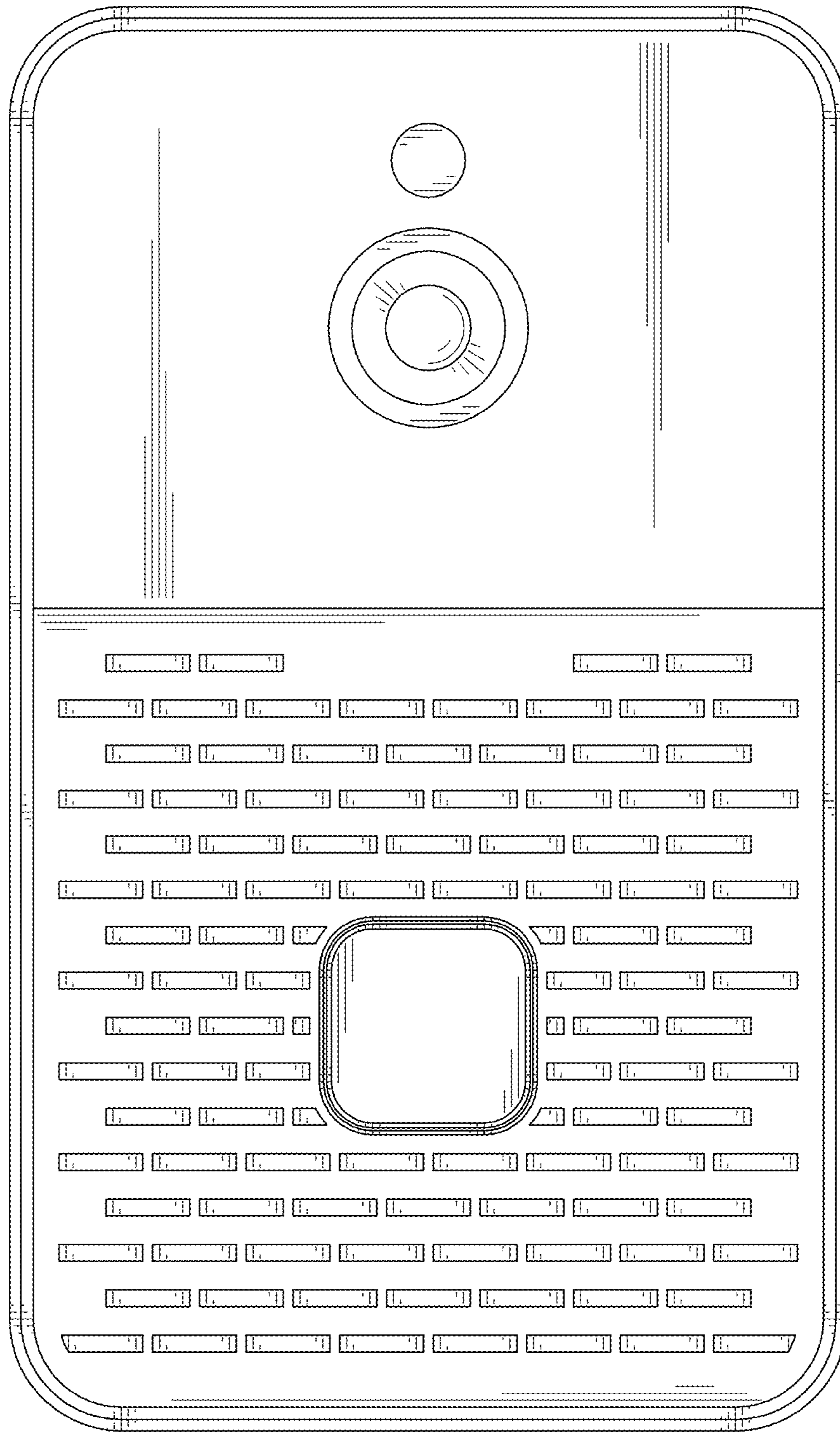


FIG. 2

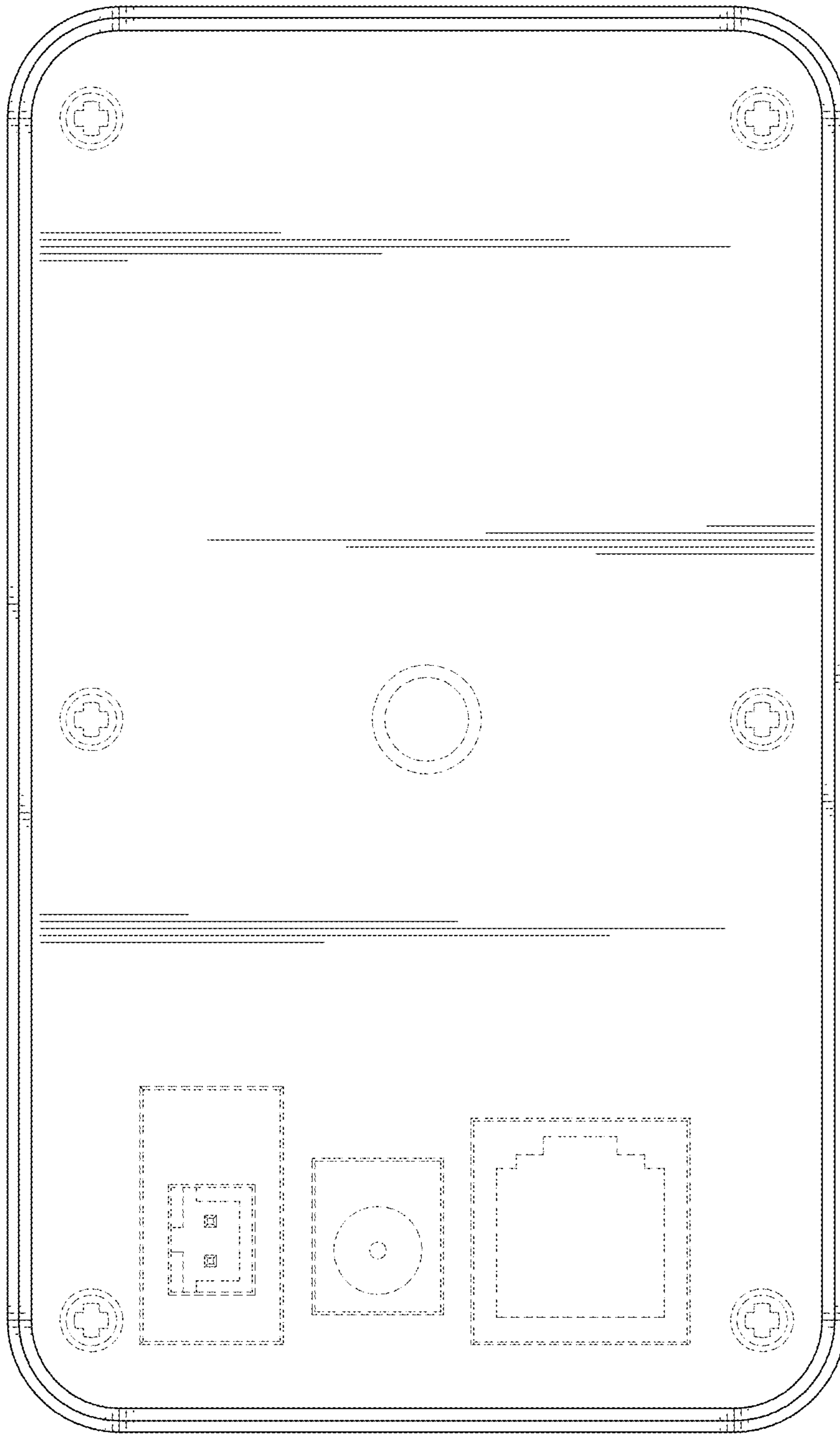


FIG. 3

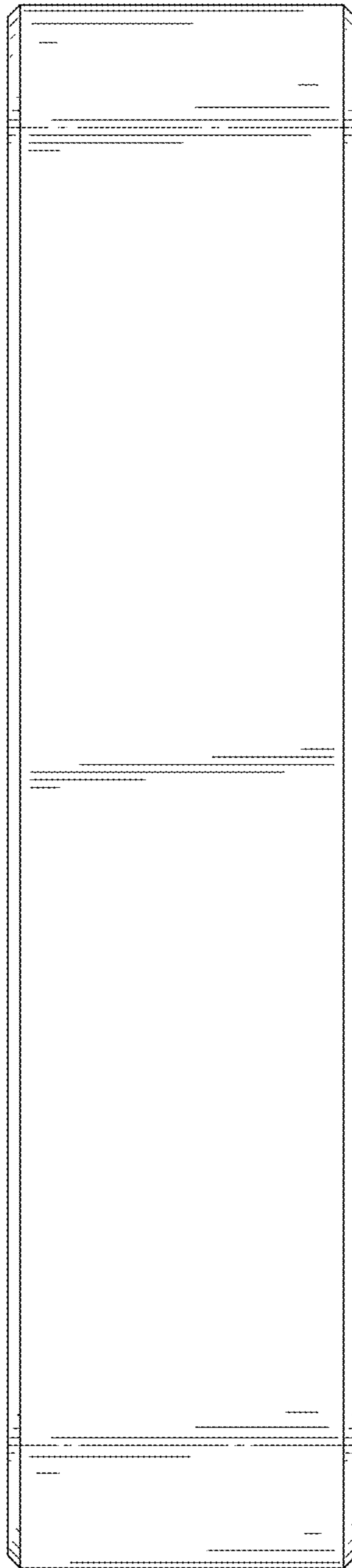


FIG. 4

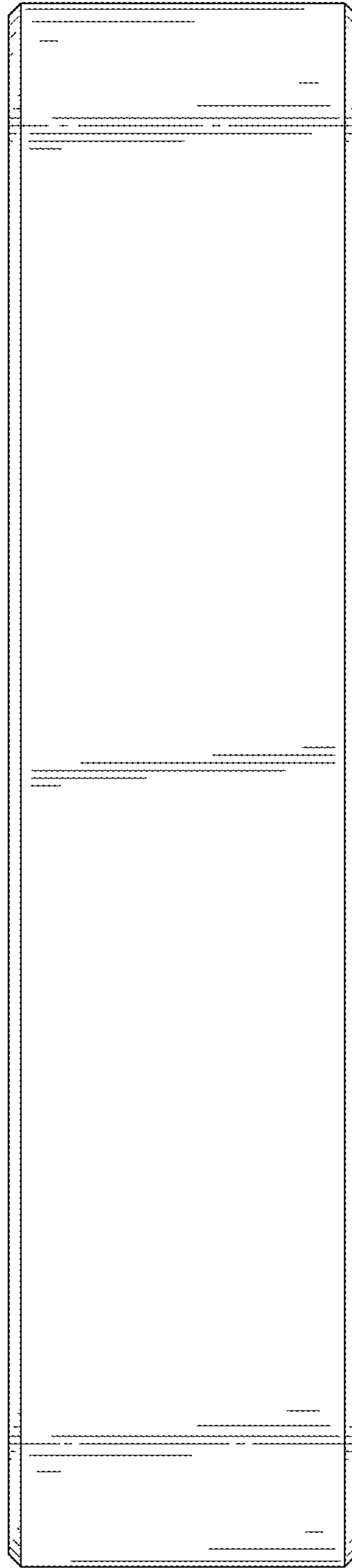


FIG. 5

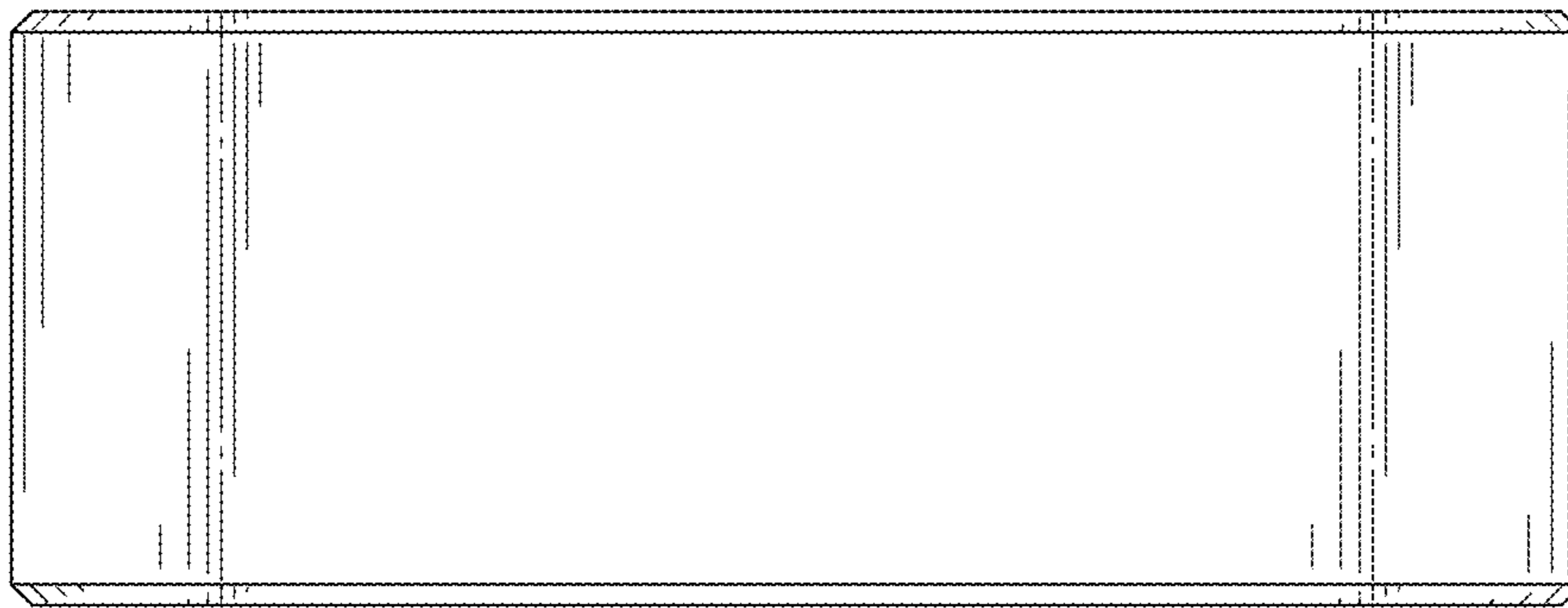


FIG. 6

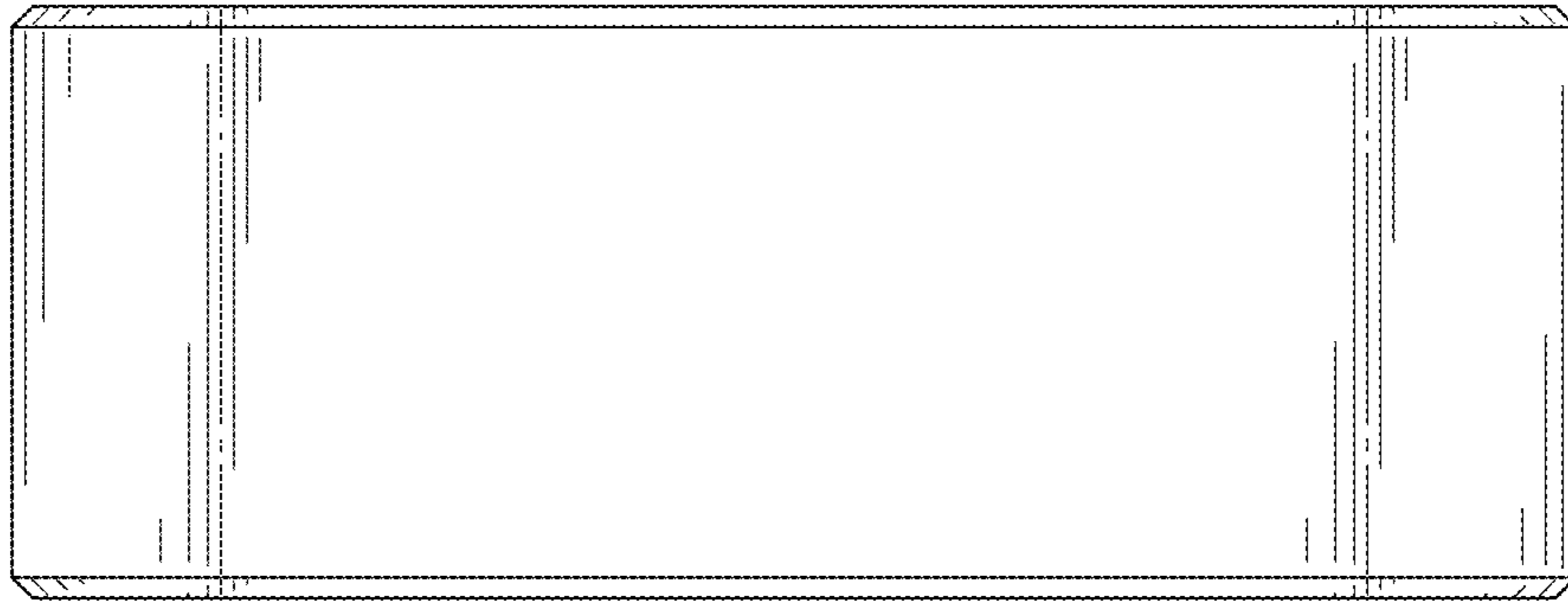


FIG. 7