



US00D795832S

(12) **United States Design Patent**
Du

(10) **Patent No.:** **US D795,832 S**

(45) **Date of Patent:** **** Aug. 29, 2017**

(54) **IN-CAR BLUETOOTH MP3**

(71) Applicant: **Zhanyuan Du**, Henan (CN)

(72) Inventor: **Zhanyuan Du**, Henan (CN)

(**) Term: **15 Years**

(21) Appl. No.: **29/579,408**

(22) Filed: **Sep. 29, 2016**

(51) **LOC (10) Cl.** **14-03**

(52) **U.S. Cl.**
USPC **D14/155**

(58) **Field of Classification Search**
USPC D14/167, 154, 168, 188, 496, 156, 160,
D14/161, 162, 163, 164, 165, 158, 341,
D14/346, 342, 345, 137, 155, 218, 225;
D16/208; D26/38; 455/351, 350;
D10/104.1, 106, 65
CPC H04B 1/385; H04M 1/6091; H04M 1/6066
See application file for complete search history.

(56) **References Cited**

U.S. PATENT DOCUMENTS

D430,547 S * 9/2000 Yoon D14/142
D522,487 S * 6/2006 Lee D14/155

D559,227 S * 1/2008 Kim D14/155
D594,440 S * 6/2009 Hyncek D14/155
D633,436 S * 3/2011 Griffin, Jr. D13/103
D728,508 S * 5/2015 Breines D14/155
D743,926 S * 11/2015 Liao D14/155
2005/0123147 A1* 6/2005 Everett H04B 1/02
381/79

* cited by examiner

Primary Examiner — Austin Murphy

(74) *Attorney, Agent, or Firm* — Schmeiser, Olsen & Watts, LLP

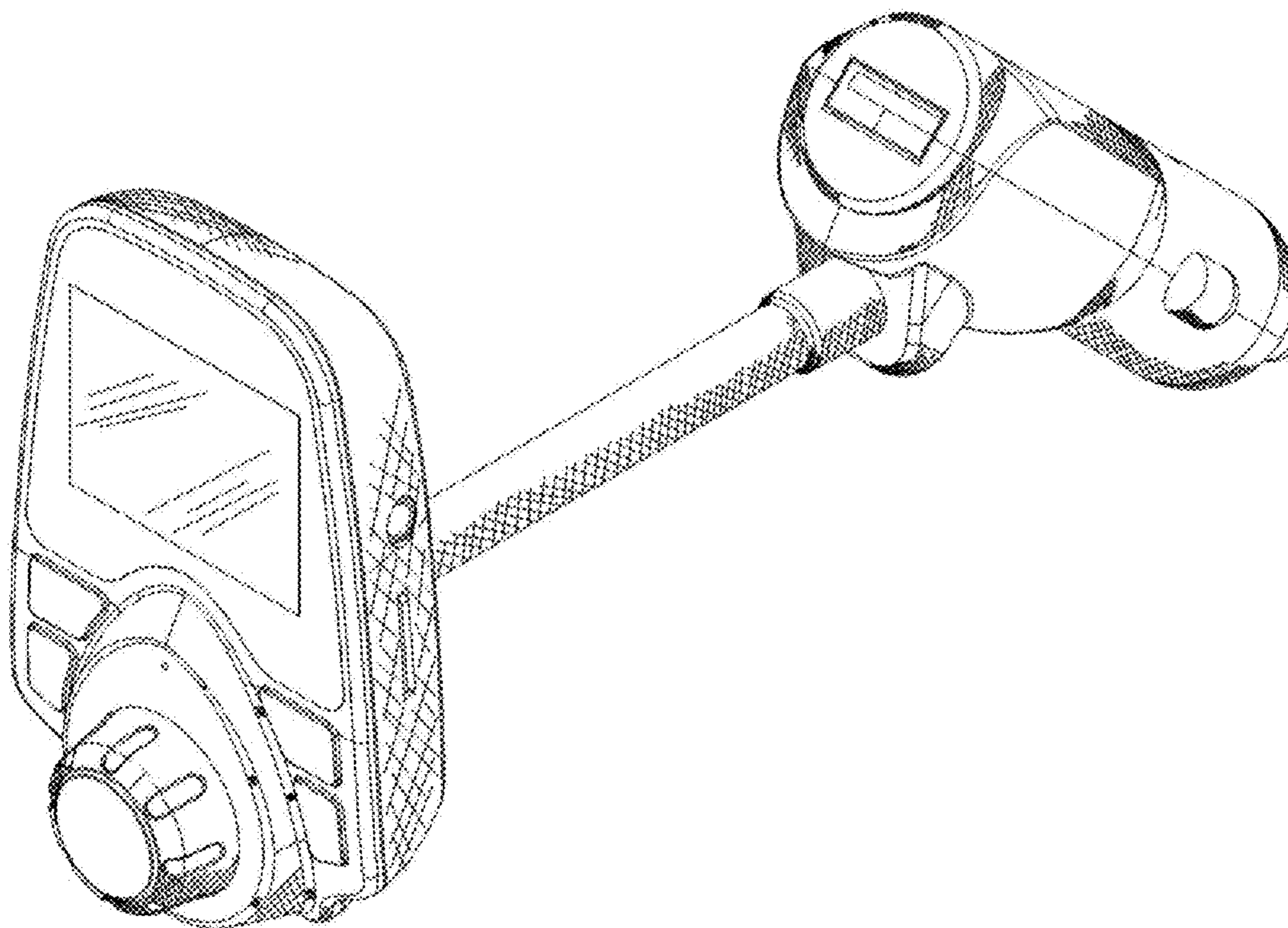
(57) **CLAIM**

The ornamental design for an in-car bluetooth MP3, as shown and described.

DESCRIPTION

FIG. 1 is a front elevational view of an in-car bluetooth MP3 showing my new design;
FIG. 2 is a rear elevational view thereof;
FIG. 3 is a left side view thereof;
FIG. 4 is a right side view thereof;
FIG. 5 is a top plan view thereof;
FIG. 6 is a bottom plan view thereof; and,
FIG. 7 is a perspective view thereof.

1 Claim, 7 Drawing Sheets



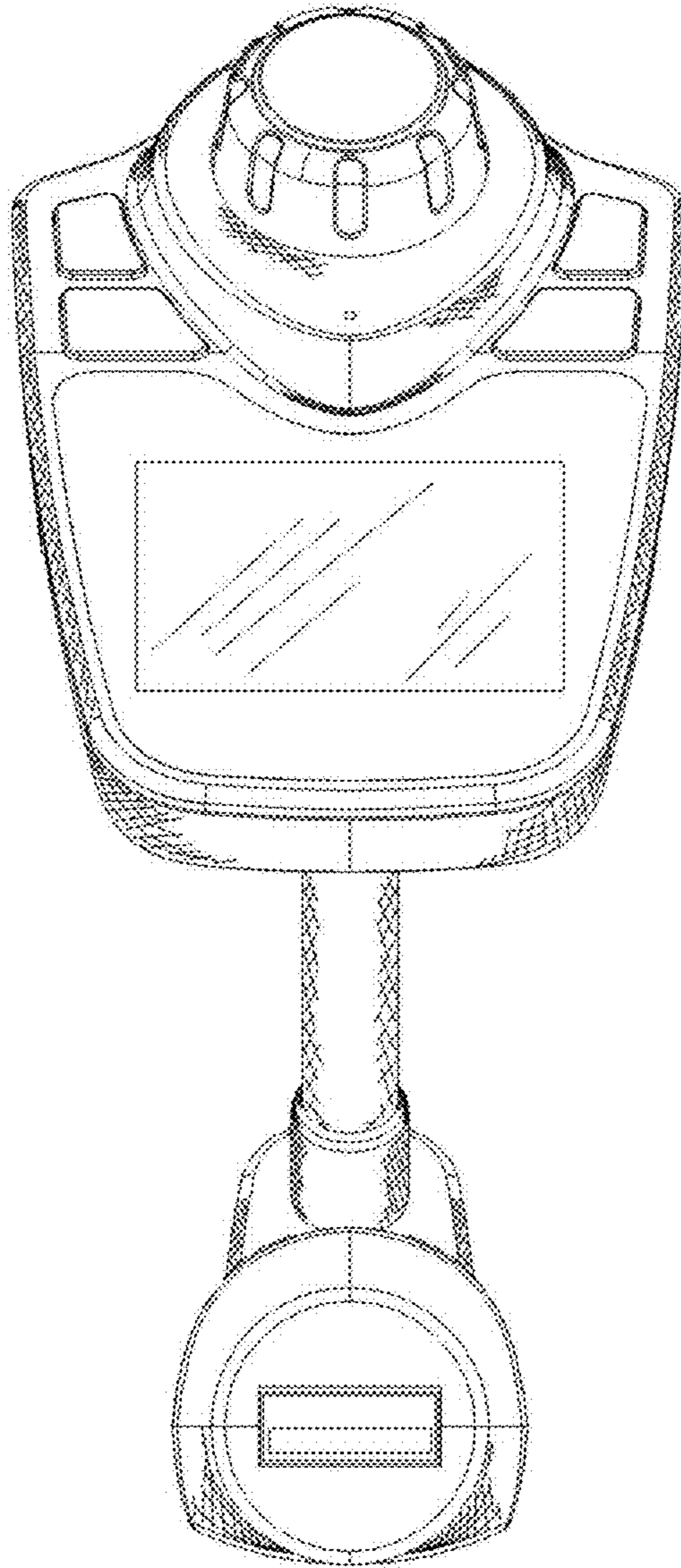


Figure 1

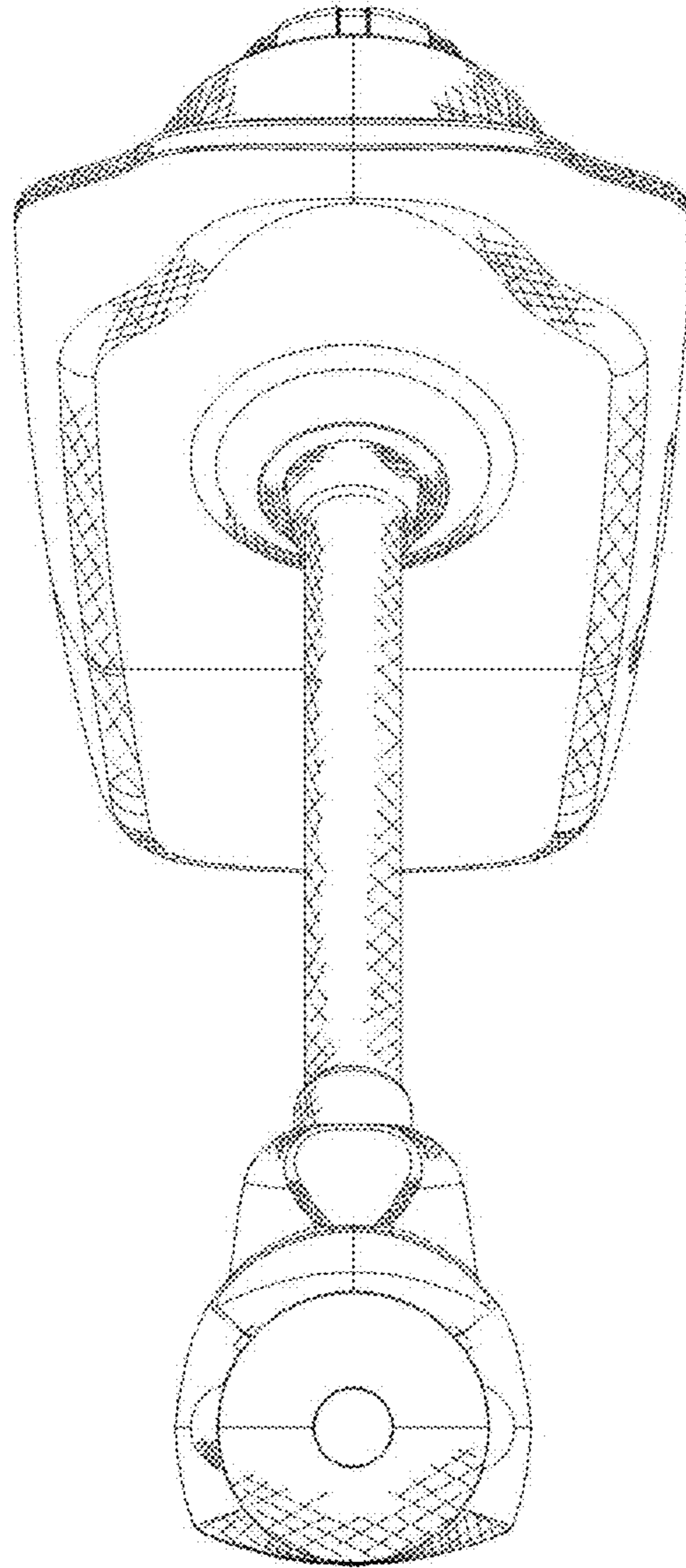


Figure 2

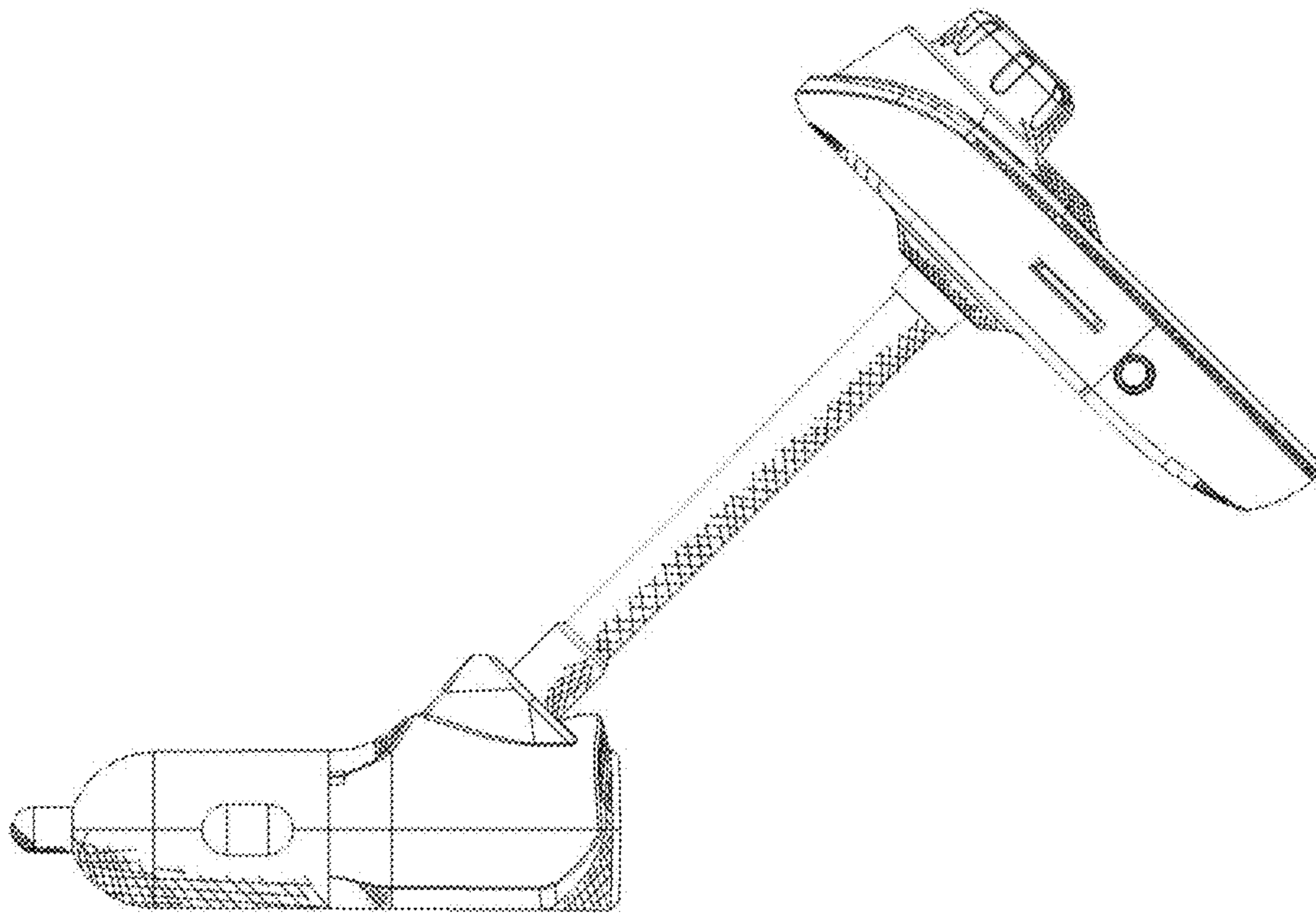


Figure 3

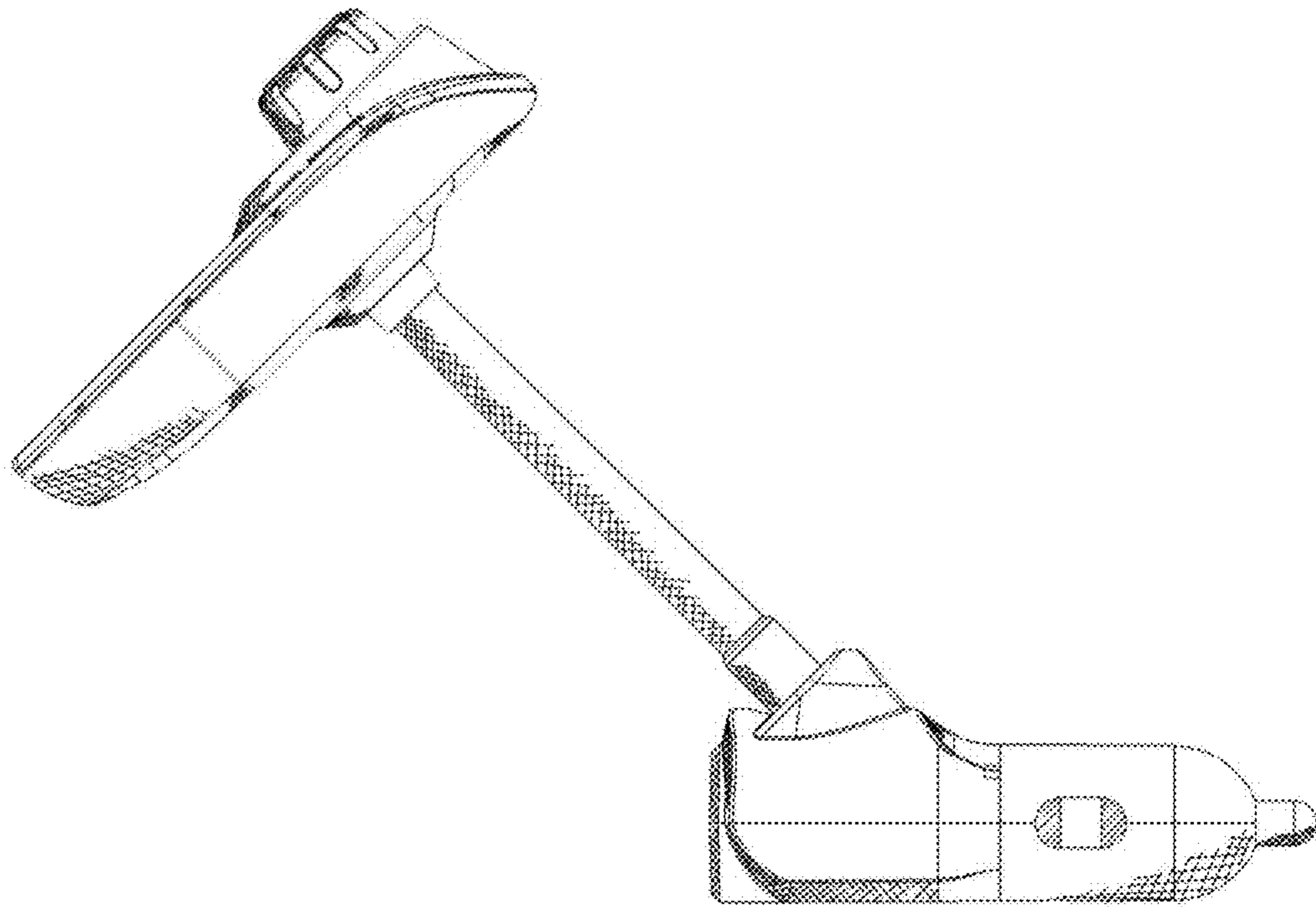


Figure 4

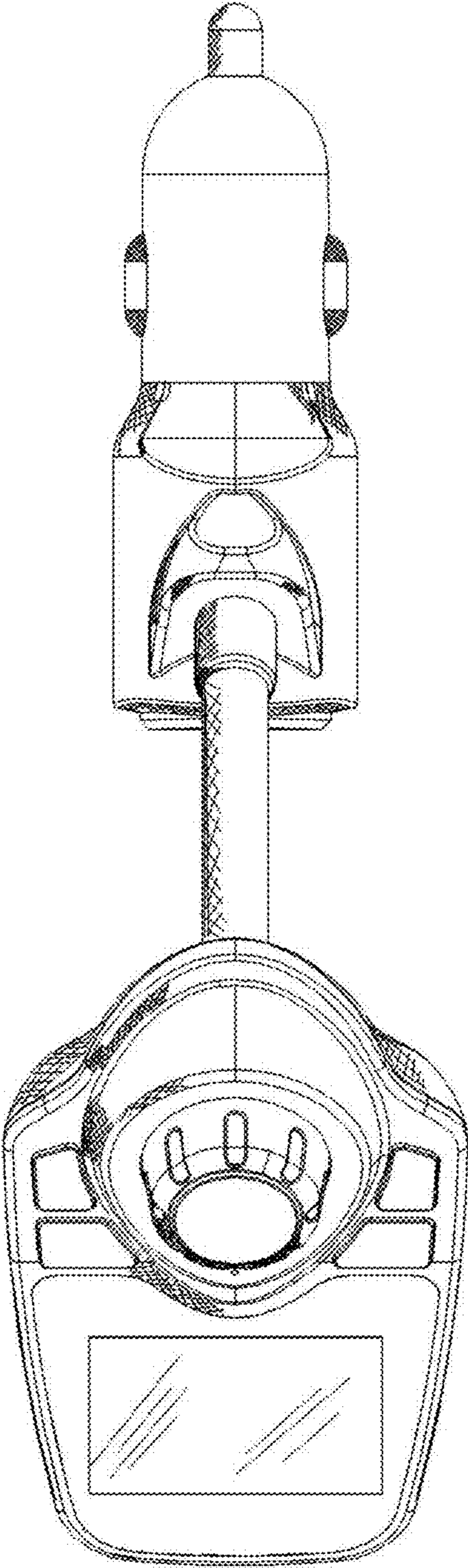


Figure 5

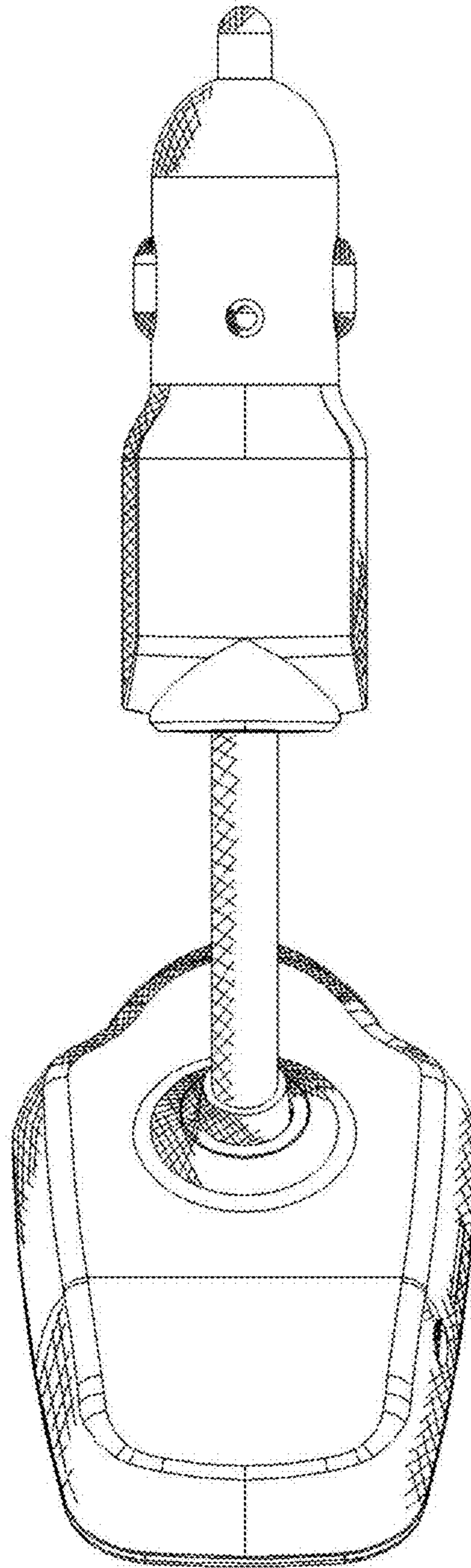


Figure 6

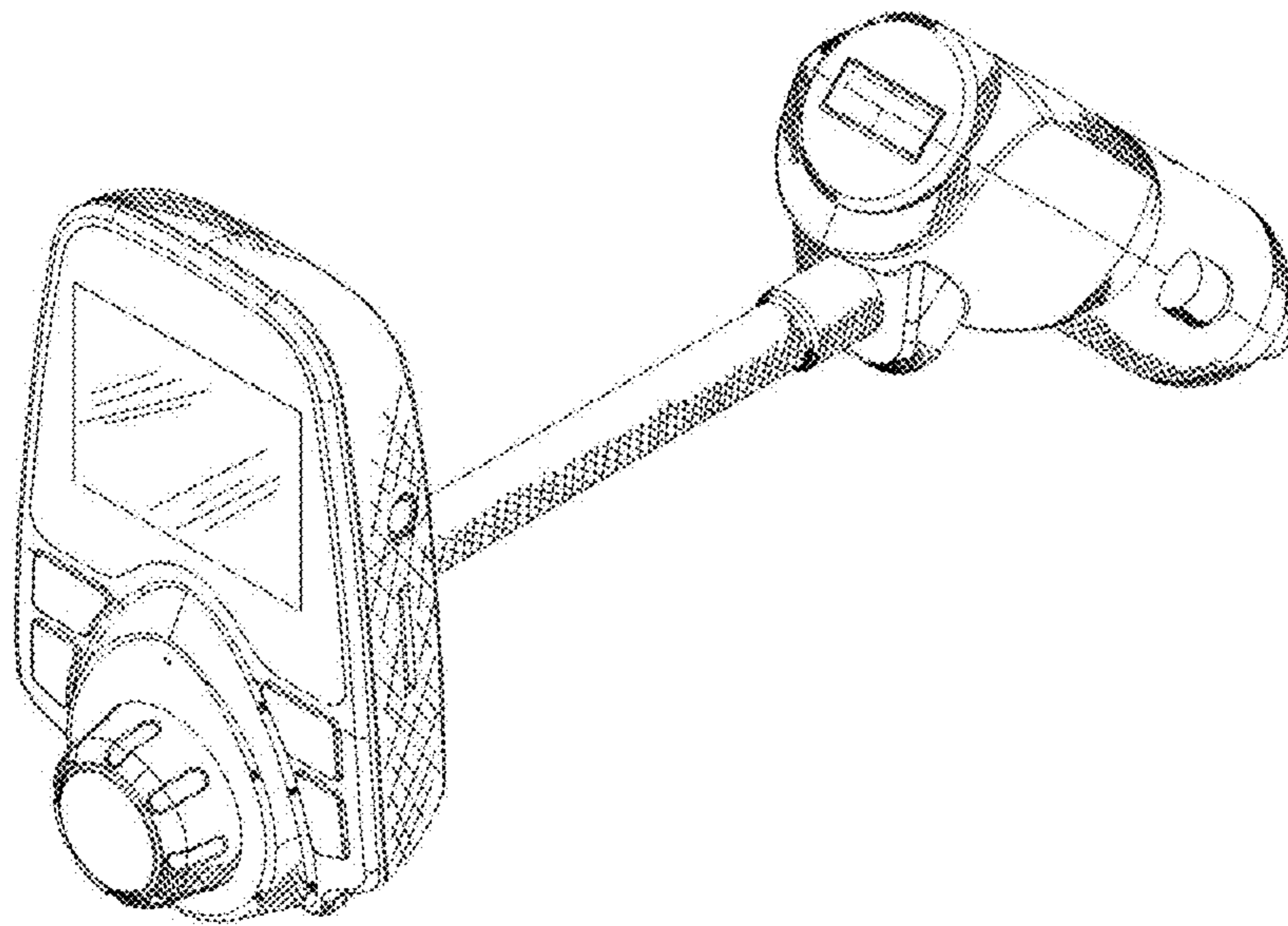


Figure 7