



US00D795826S

(12) **United States Design Patent**
Yoon et al.

(10) **Patent No.:** **US D795,826 S**

(45) **Date of Patent:** **** Aug. 29, 2017**

(54) **MOBILE PHONE**

(71) Applicant: **LG ELECTRONICS INC.**, Seoul (KR)

(72) Inventors: **Hyunjin Yoon**, Seoul (KR); **Hongsik Kim**, Seoul (KR); **Jeeyoung Yeon**, Seoul (KR)

(73) Assignee: **LG ELECTRONICS INC.**, Seoul (KR)

(**) Term: **15 Years**

(21) Appl. No.: **29/535,153**

(22) Filed: **Aug. 4, 2015**

(30) **Foreign Application Priority Data**

Feb. 5, 2015 (KR) 30-2015-0006406

(51) **LOC (10) Cl.** **14-03**

(52) **U.S. Cl.**
USPC **D14/138 AB; D14/138 G**

(58) **Field of Classification Search**
USPC D14/138 AA, 138 AB, 138 AD, 138 G, D14/138 R, 341, 345, 203.7, 248, 344, D14/496; D10/65; D27/186; D3/218, D3/247; D28/64.1; D6/300-302, 312; D19/26
CPC G06F 1/1652; G06F 1/1616; G06F 1/1618; G06F 1/1624; H04M 1/0222; H04M 1/0254; H04M 1/0256
See application file for complete search history.

(56) **References Cited**

U.S. PATENT DOCUMENTS

D624,304 S *	9/2010	Danze	D3/201
D705,534 S *	5/2014	Manjerico	D3/218
D761,777 S *	7/2016	Lee	D14/250
D765,630 S *	9/2016	Harata	D14/250
D765,631 S *	9/2016	Harata	D14/250
D768,616 S *	10/2016	Harata	D14/250

(Continued)

OTHER PUBLICATIONS

Best and Cool Motorola Moto E Cases & Covers, posted at 9cases.com, earliest commented on Jul. 6, 2014, [online], acquired on Feb. 2, 2016. Available from Internet, <URL: http://9cases.com/2014/06/best-cool-motorola-moto-e-cases-covers/>.*

Primary Examiner — Cathron Brooks

Assistant Examiner — Aula Soroush

(74) *Attorney, Agent, or Firm* — Birch, Stewart, Kolasch & Birch, LLP

(57) **CLAIM**

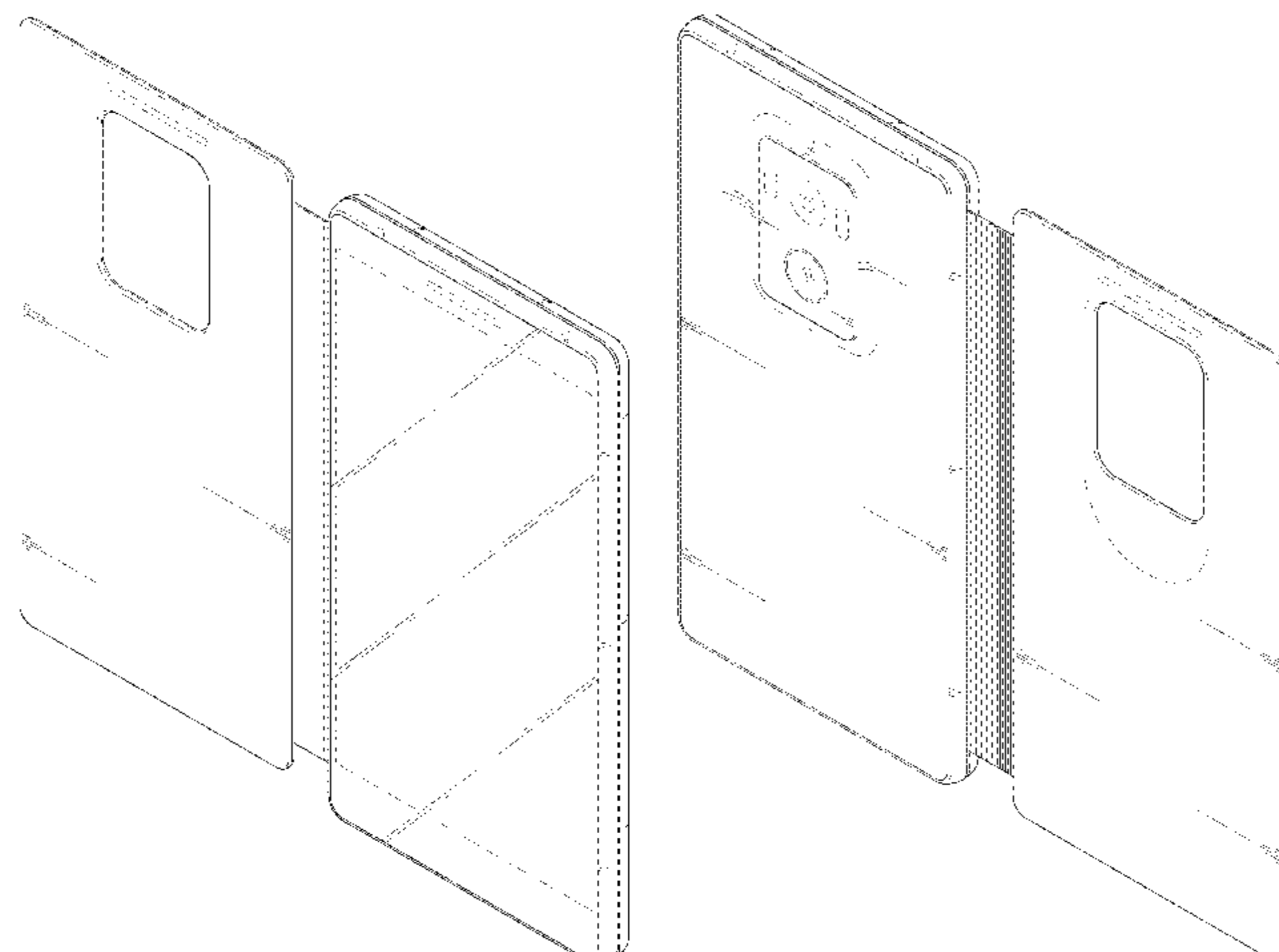
The ornamental design for a mobile phone, as shown and described.

DESCRIPTION

FIG. 1 is a perspective view of a mobile phone showing our new design;
FIG. 2 is a front view thereof;
FIG. 3 is a rear view thereof;
FIG. 4 is a left side view thereof;
FIG. 5 is a right side view thereof;
FIG. 6 is a top plan view thereof;
FIG. 7 is a bottom plan view thereof;
FIG. 8 is a rear perspective view thereof;
FIG. 9 is a front perspective view thereof in a condition that the cover is closed frontward; and,
FIG. 10 is a rear perspective view thereof in a condition that the cover is closed backward.

The broken lines shown in the figures that are immediately adjacent to the shaded areas and define unshaded regions represent the bounds of the claim. All other broken lines, including the features within broken line boundaries and the broken lines the display rectangle on the front surface, the oblong sensors, circular camera features on the back, are directed to environment. The broken lines form no part of the claimed design.

1 Claim, 9 Drawing Sheets



(56)

References Cited

U.S. PATENT DOCUMENTS

D772,214 S * 11/2016 Daniel D14/250
D777,421 S * 1/2017 Grote D14/250
2015/0133203 A1* 5/2015 Xie H04M 1/11
455/575.8
2015/0298859 A1* 10/2015 Amano G06F 1/1626
361/679.56
2015/0346779 A1* 12/2015 Chae G06F 1/1677
715/773
2015/0351271 A1* 12/2015 Dawson B65D 51/28
220/521
2016/0142090 A1* 5/2016 Yun A45C 11/00
455/575.8
2016/0295981 A1* 10/2016 Lay A45C 11/00
2016/0335980 A1* 11/2016 Lee H04M 1/0243
2017/0018258 A1* 1/2017 Yeung G06F 1/1616

* cited by examiner

FIG. 1

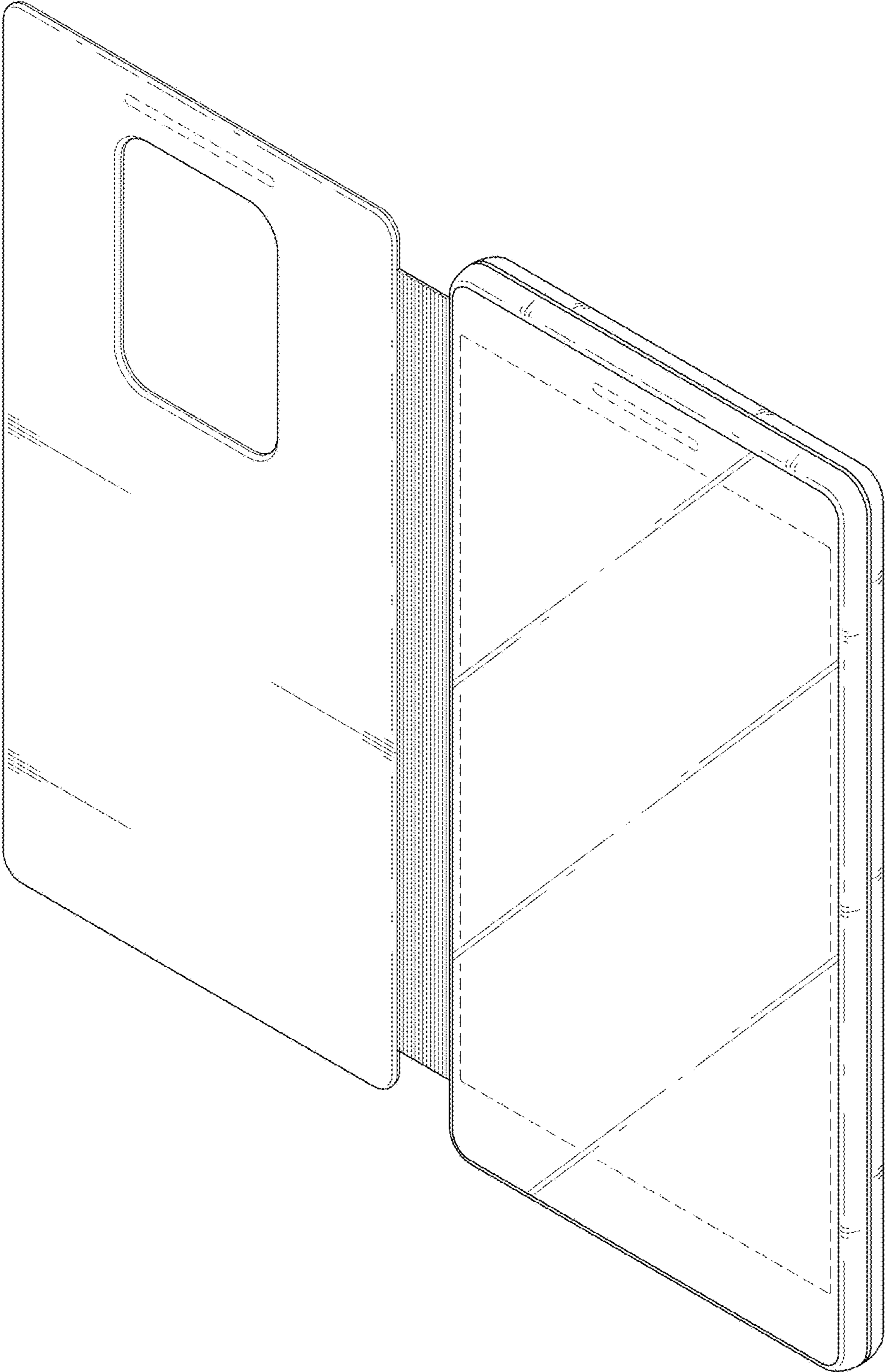


FIG. 2

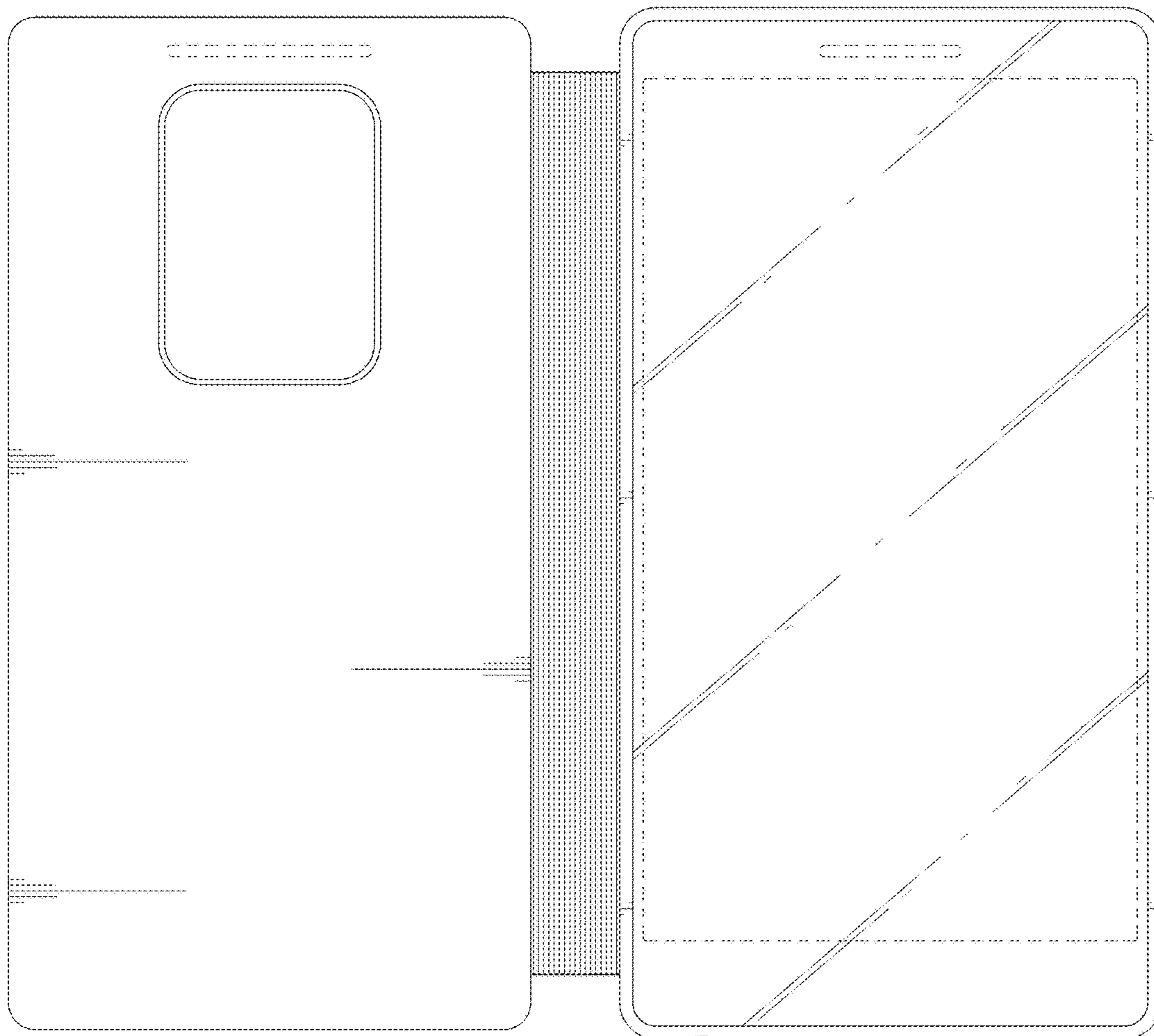


FIG. 3

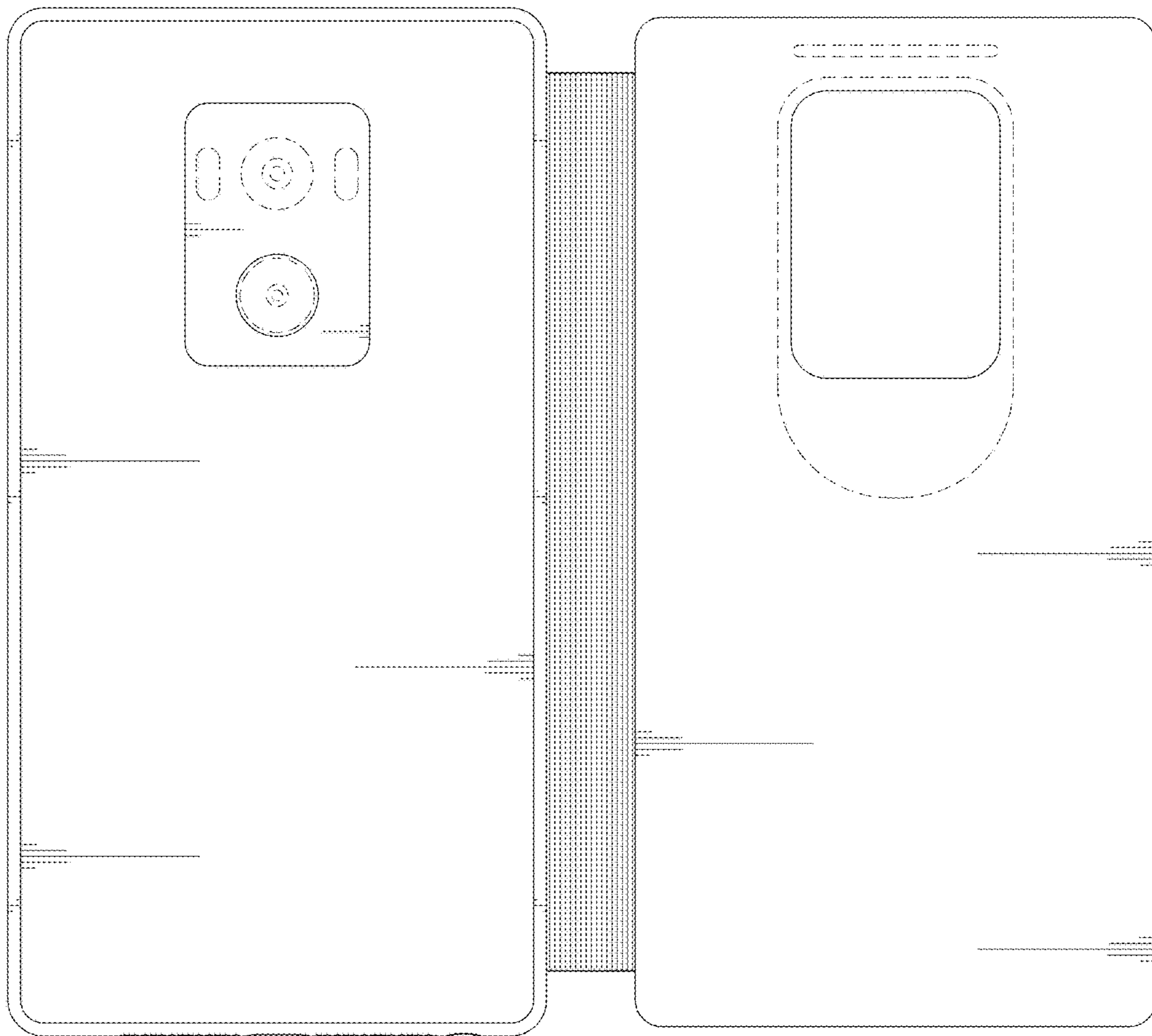


FIG. 4

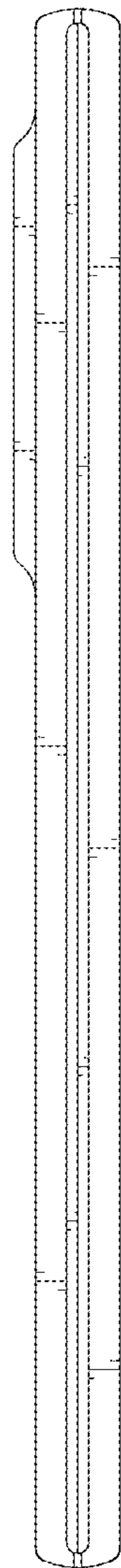


FIG. 5

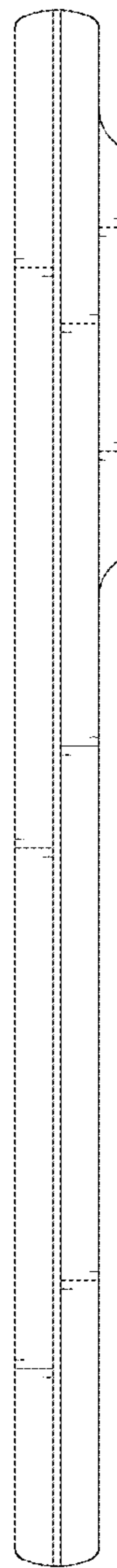


FIG. 6

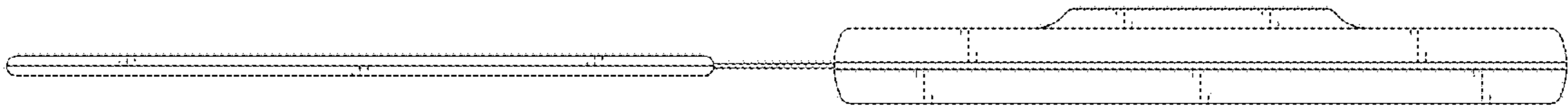


FIG. 7

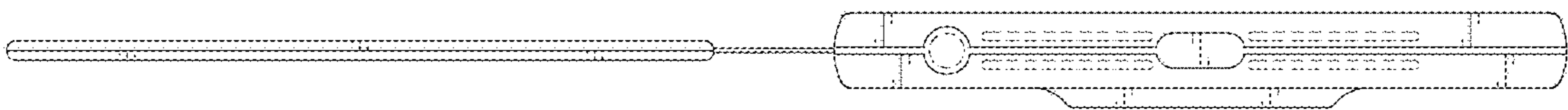


FIG. 8

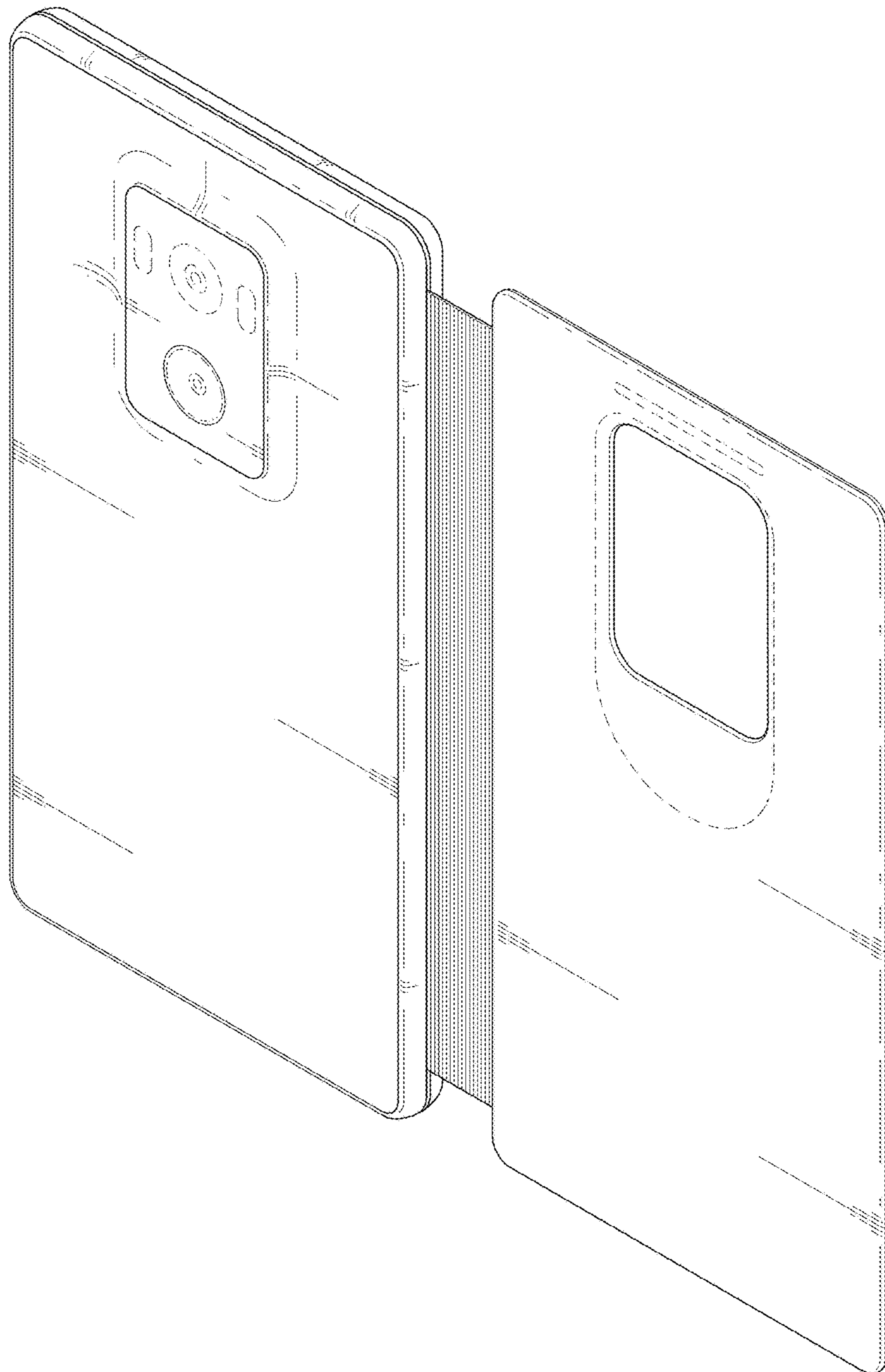


FIG. 9

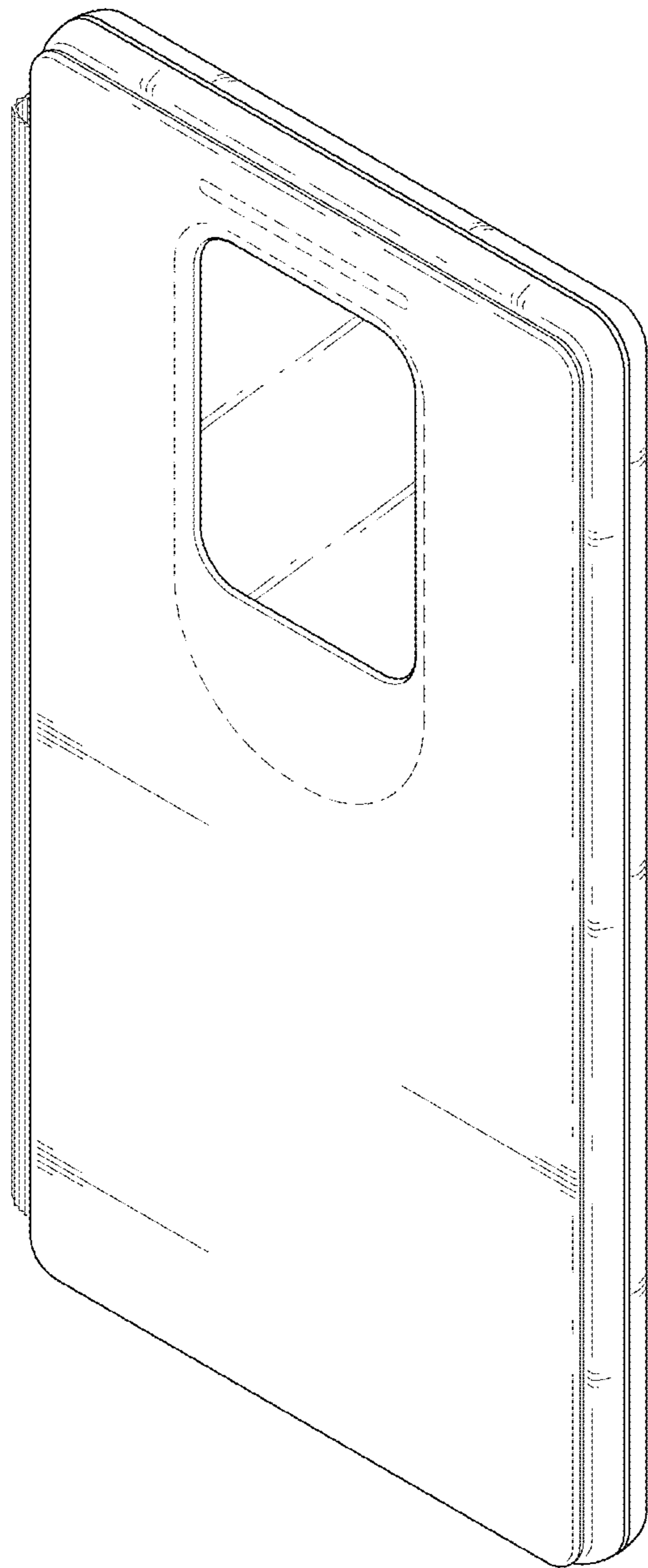


FIG. 10

