



US00D795822S

(12) **United States Design Patent**  
**Zhang et al.**

(10) **Patent No.:** **US D795,822 S**  
(45) **Date of Patent:** **\*\* Aug. 29, 2017**

(54) **LED CHIP**

(71) Applicant: **ENRAYTEK OPTOELECTRONICS CO., LTD.**, Shanghai (CN)

(72) Inventors: **Shuai Zhang**, Shanghai (CN); **Huiwen Xu**, Shanghai (CN); **Tingting Yu**, Shanghai (CN); **Qiming Li**, Shanghai (CN)

(73) Assignee: **Enraytek Optoelectronics Co., Ltd.**, Shanghai (CN)

(\*\*) Term: **15 Years**

(21) Appl. No.: **29/572,649**

(22) Filed: **Jul. 29, 2016**

(51) **LOC (10) Cl.** ..... **13-03**

(52) **U.S. Cl.**  
USPC ..... **D13/180**

(58) **Field of Classification Search**

USPC ..... D13/180; D26/1  
CPC ... H01L 25/167; H01L 25/0753; H01L 27/15;  
H01L 27/156; H01L 31/02; H01L 33/00;  
H01L 33/04; H01L 33/08; H01L 33/10;  
H01L 33/20; H01L 33/38; H01L 33/42;  
H01L 33/48; H01L 33/483; H01L 33/486

See application file for complete search history.

(56) **References Cited**

**U.S. PATENT DOCUMENTS**

6,650,018 B1 \* 11/2003 Zhao ..... H01L 33/38  
257/749  
D566,057 S \* 4/2008 Edmond ..... D13/180  
D582,866 S \* 12/2008 Edmond ..... D13/180  
D583,338 S \* 12/2008 Edmond ..... D13/180  
D602,450 S \* 10/2009 Edmond ..... D13/180  
D633,876 S \* 3/2011 Shan ..... D13/180  
D635,525 S \* 4/2011 Edmond ..... D13/180

(Continued)

*Primary Examiner* — Selina Sikder

(74) *Attorney, Agent, or Firm* — Faegre Baker Daniels LLP

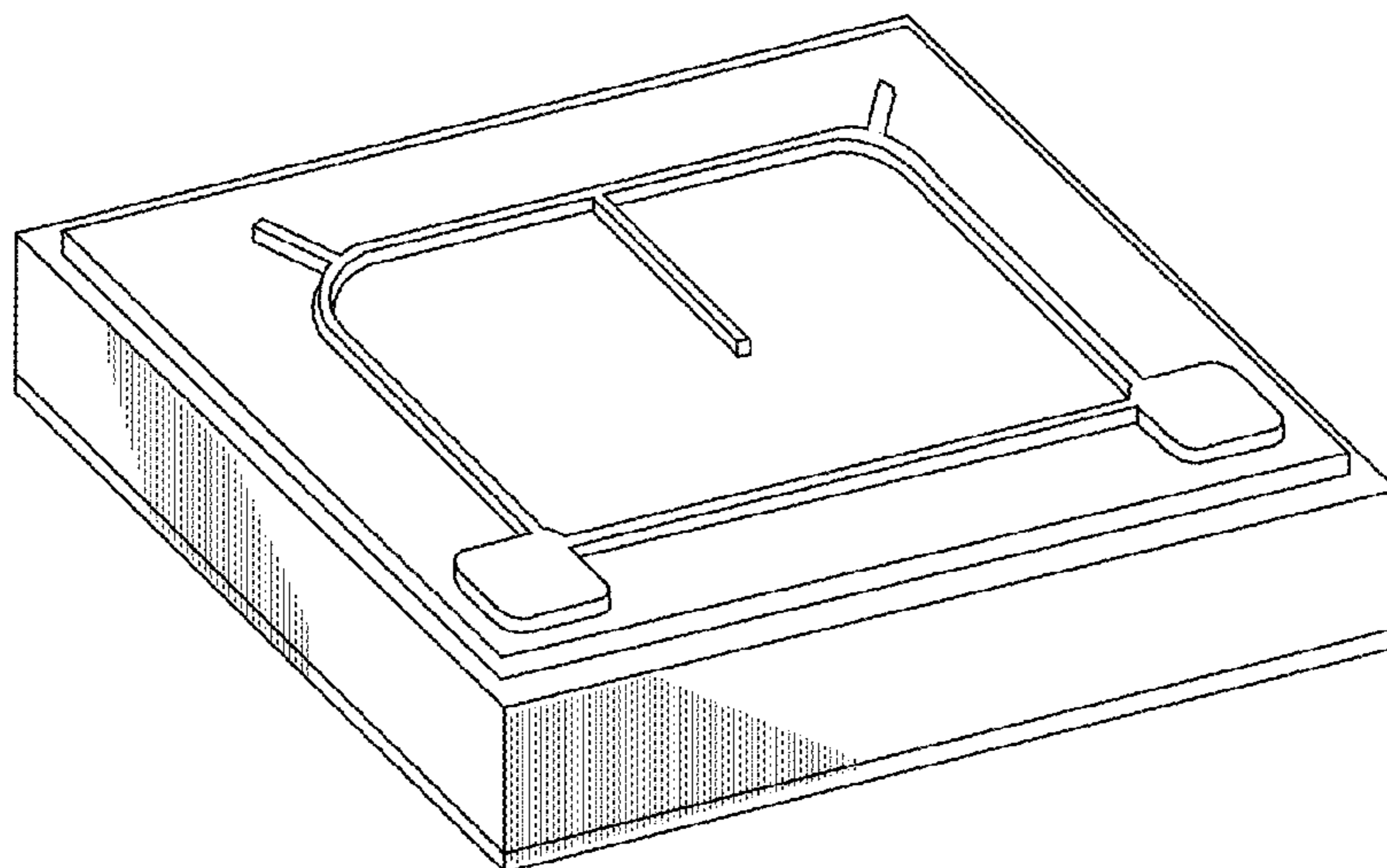
(57) **CLAIM**

The ornamental design for an LED chip, as shown and described.

**DESCRIPTION**

FIG. 1 is a 3D view of a LED chip according to the embodiment of the present disclosure;  
FIG. 2 is another 3D view of the LED chip according to the embodiment of the present disclosure;  
FIG. 3 is a top view of the LED chip according to the embodiment of the present disclosure;  
FIG. 4 is a left-side view of the LED chip shown in FIG. 3;  
FIG. 5 is a right-side view of the LED chip shown in FIG. 3;  
FIG. 6 is a front-side view of the LED chip shown in FIG. 3;  
FIG. 7 is a rear-side view of the LED chip shown in FIG. 3;  
FIG. 8 is a bottom view of the LED chip shown in FIG. 3;  
FIG. 9 is a 3D view of a LED chip according to another embodiment of the present disclosure;  
FIG. 10 is another 3D view of the LED chip according to the another embodiment of the present disclosure;  
FIG. 11 is a top view of the LED chip according to the another embodiment of the present disclosure;  
FIG. 12 is a left-side view of the LED chip shown in FIG. 11;  
FIG. 13 is a right-side view of the LED chip shown in FIG. 11;  
FIG. 14 is a front-side view of the LED chip show FIG. 11;  
FIG. 15 is a rear-side view of the LED chip shown in FIG. 11; and,  
FIG. 16 is a bottom view of the LED chip shown in FIG. 11.

**1 Claim, 7 Drawing Sheets**



(56)

**References Cited**

## U.S. PATENT DOCUMENTS

D653,630 S \* 2/2012 Liu ..... D13/180  
8,212,276 B2 \* 7/2012 Gong ..... H01L 33/38  
257/103  
D680,975 S \* 4/2013 Lee ..... D13/180  
D684,548 S \* 6/2013 Chu ..... D13/180  
D689,448 S \* 9/2013 Kimura ..... D13/180  
D691,569 S \* 10/2013 Edmond ..... D13/180  
8,866,186 B2 \* 10/2014 Orijji ..... H01L 33/24  
257/103  
D729,752 S \* 5/2015 Chou ..... D13/180  
9,070,834 B2 \* 6/2015 Kim ..... H01L 33/38  
D737,228 S \* 8/2015 Chen ..... D13/180  
9,130,125 B2 \* 9/2015 Hwang ..... H01L 33/38  
D764,421 S \* 8/2016 Kao ..... D13/180  
9,425,358 B2 \* 8/2016 Pfeuffer ..... H01L 33/382  
D771,578 S \* 11/2016 Wang ..... D13/180  
2003/0107053 A1 \* 6/2003 Uemura ..... H01L 33/32  
257/200  
2006/0131600 A1 \* 6/2006 Nakaoka ..... G01J 1/04  
257/99  
2006/0192223 A1 \* 8/2006 Lee ..... H01L 33/38  
257/99  
2008/0230791 A1 \* 9/2008 Lin ..... H01L 33/382  
257/91  
2013/0214320 A1 \* 8/2013 Onishi ..... H01L 33/44  
257/99

\* cited by examiner

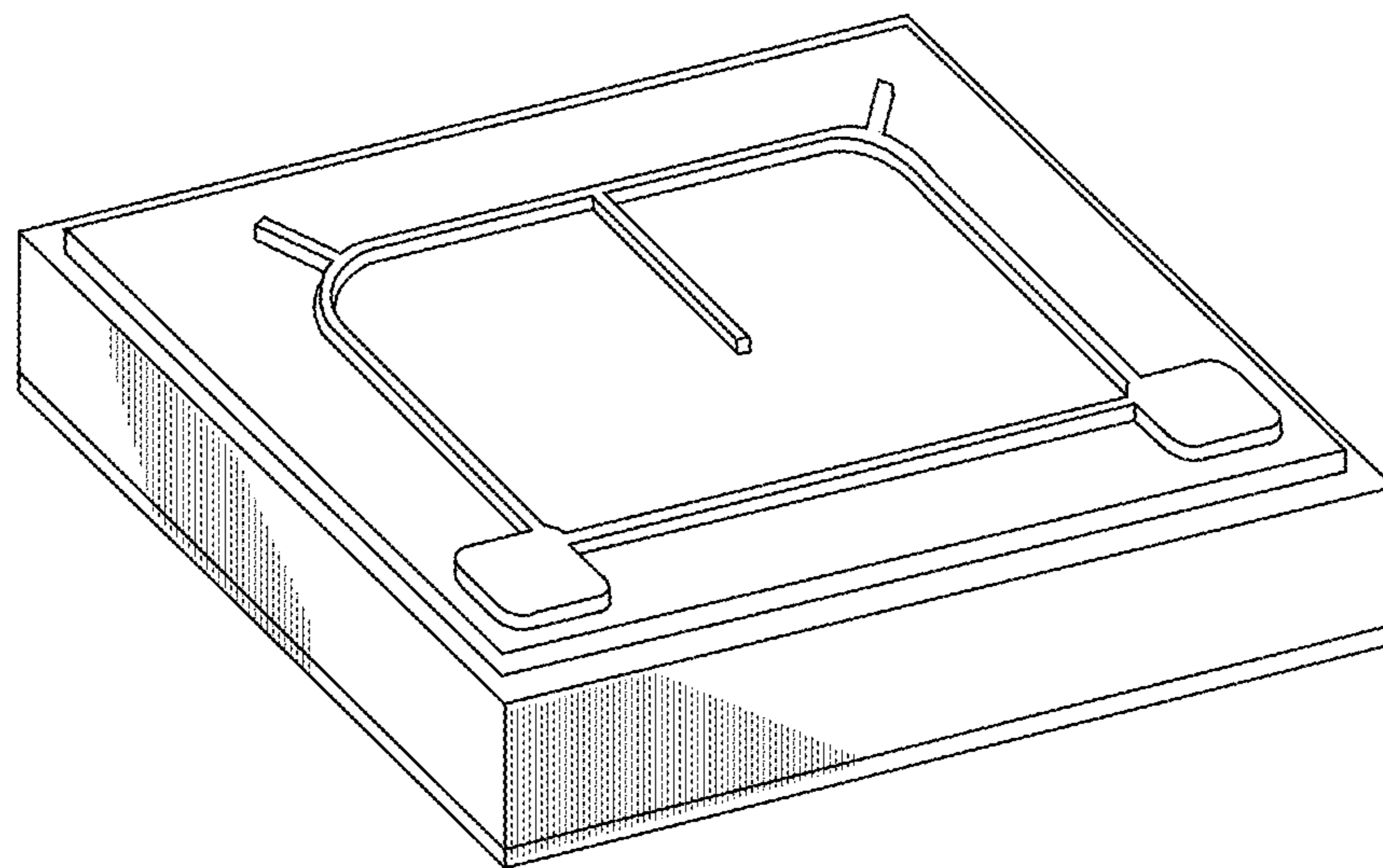


FIG. 1

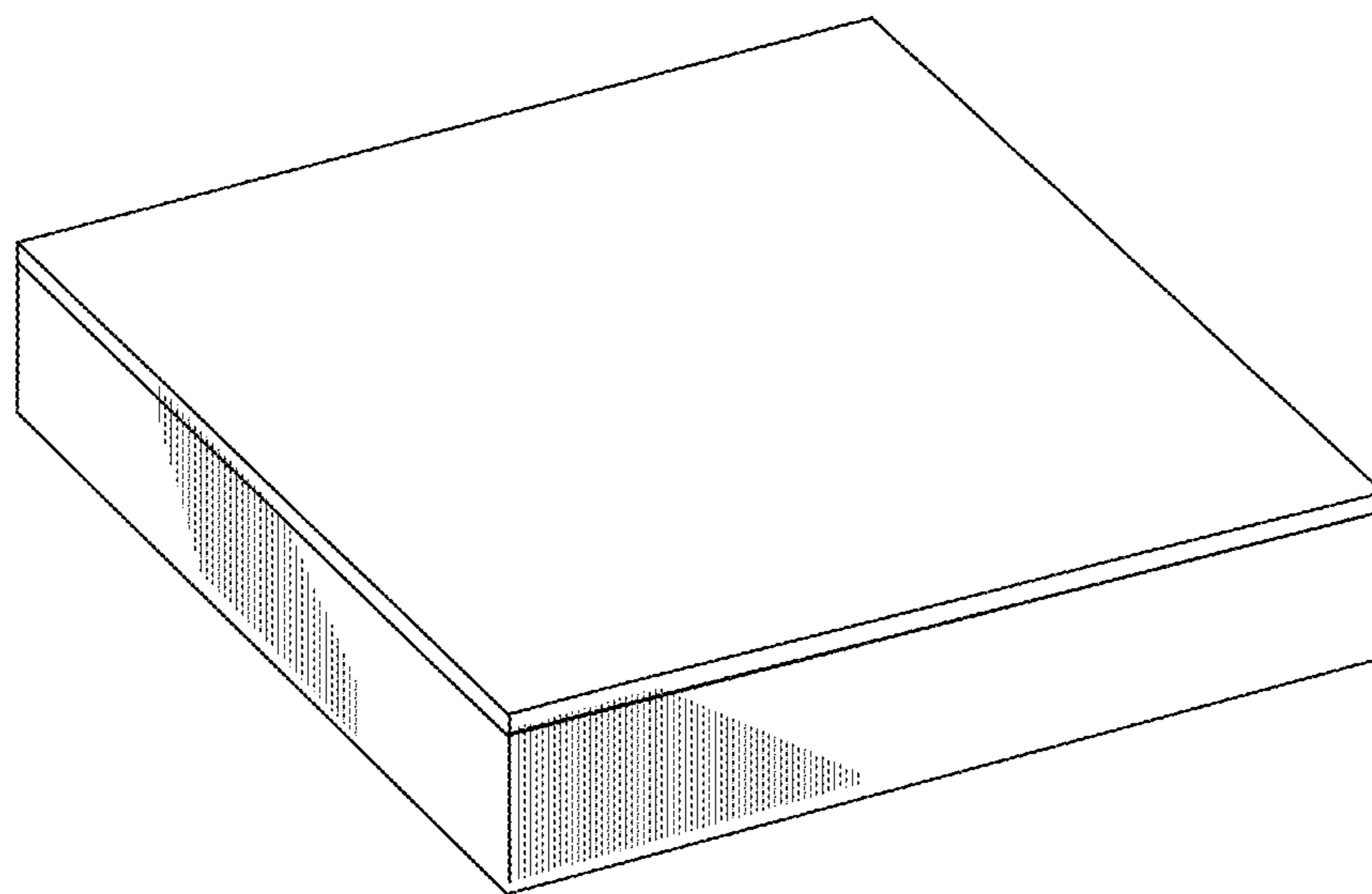


FIG. 2

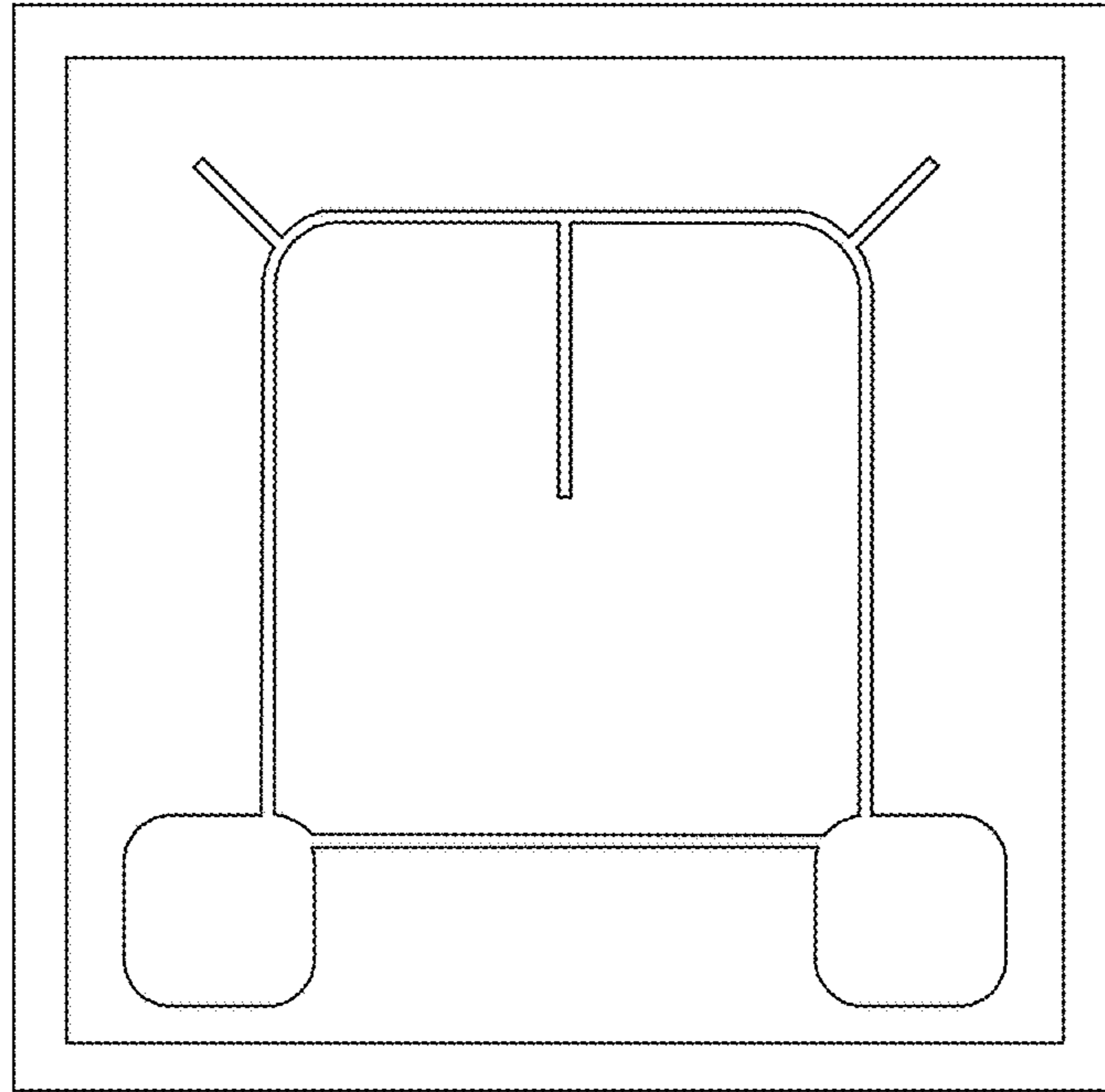


FIG. 3

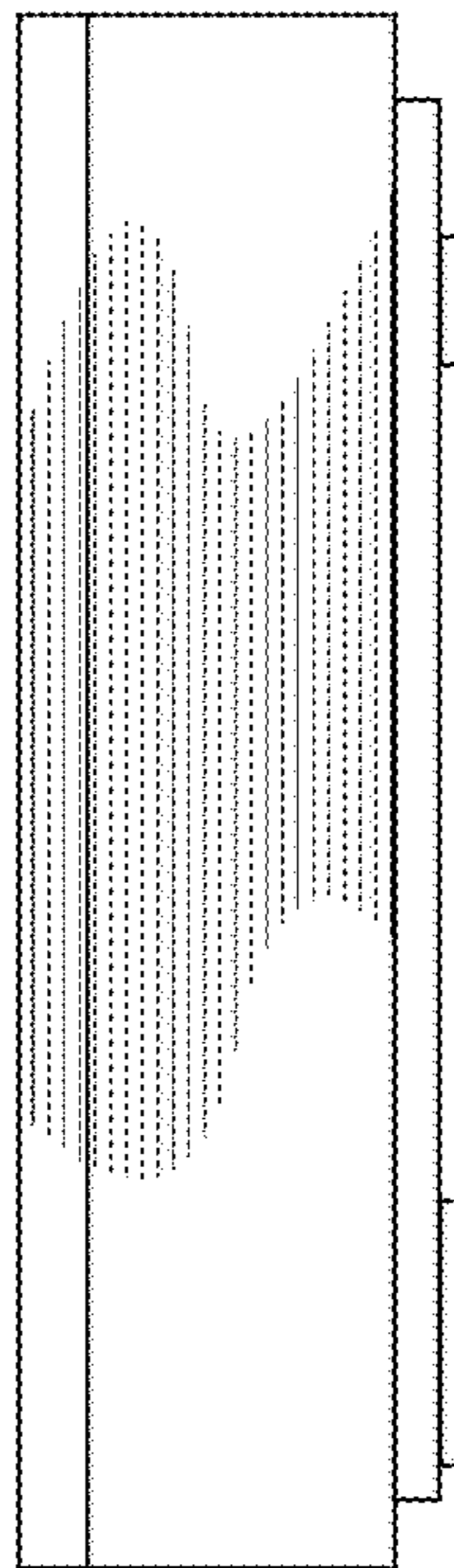


FIG. 4



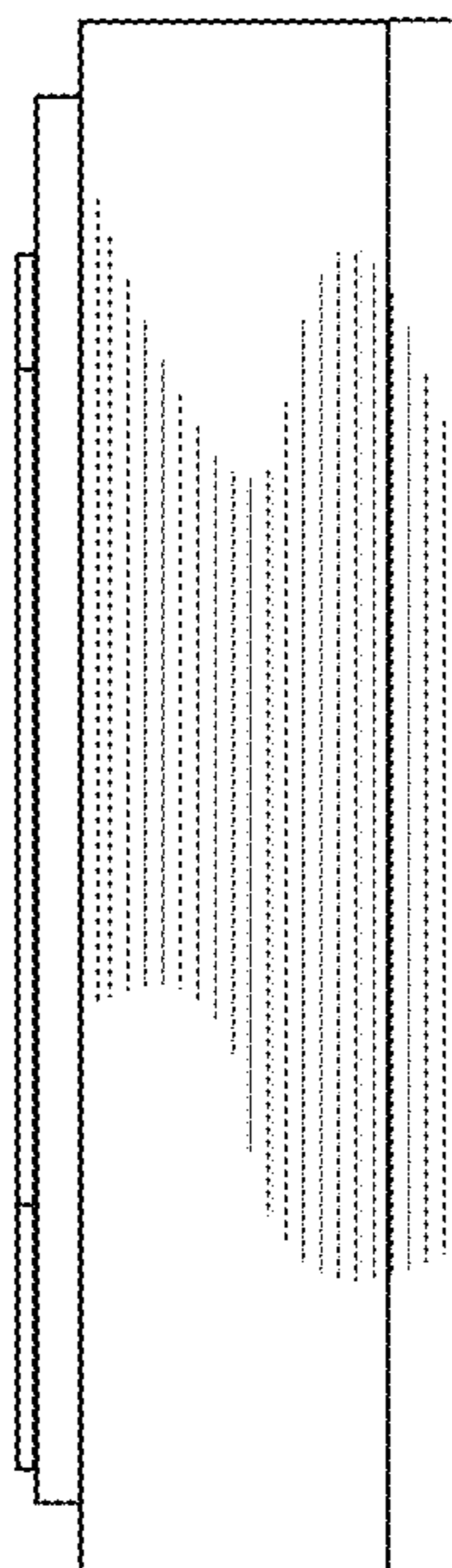


FIG. 5

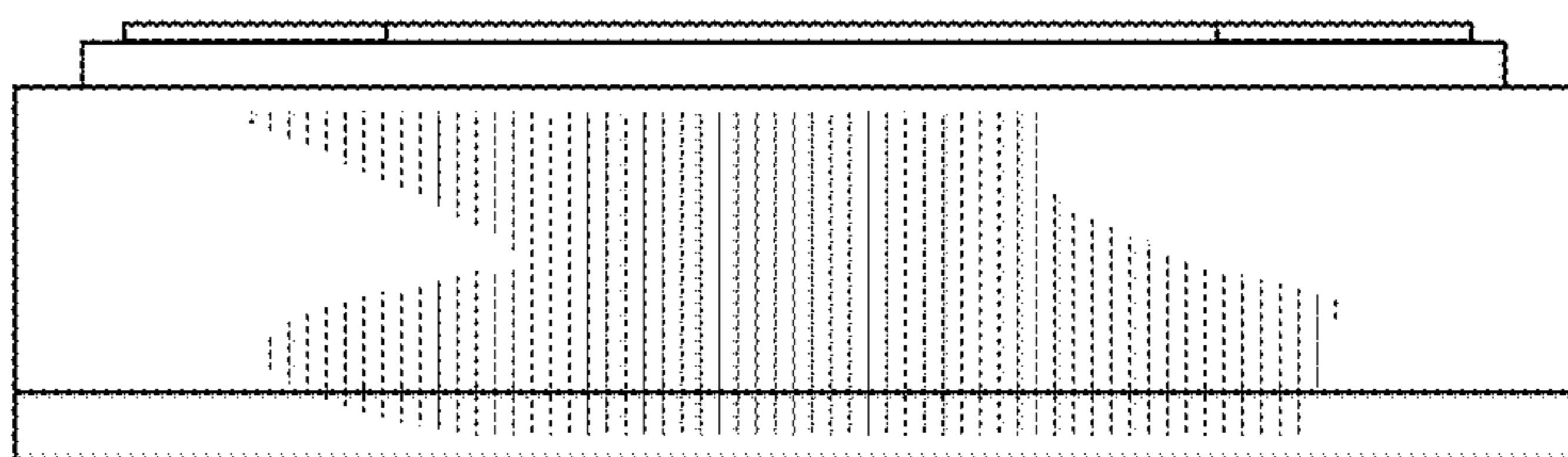


FIG. 6

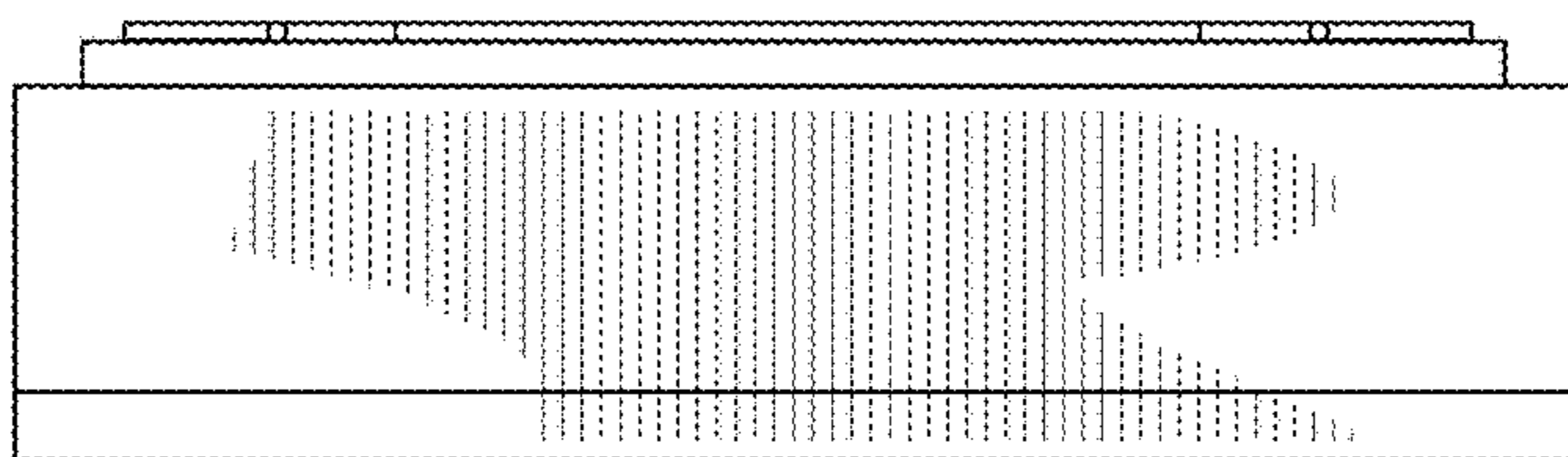


FIG. 7

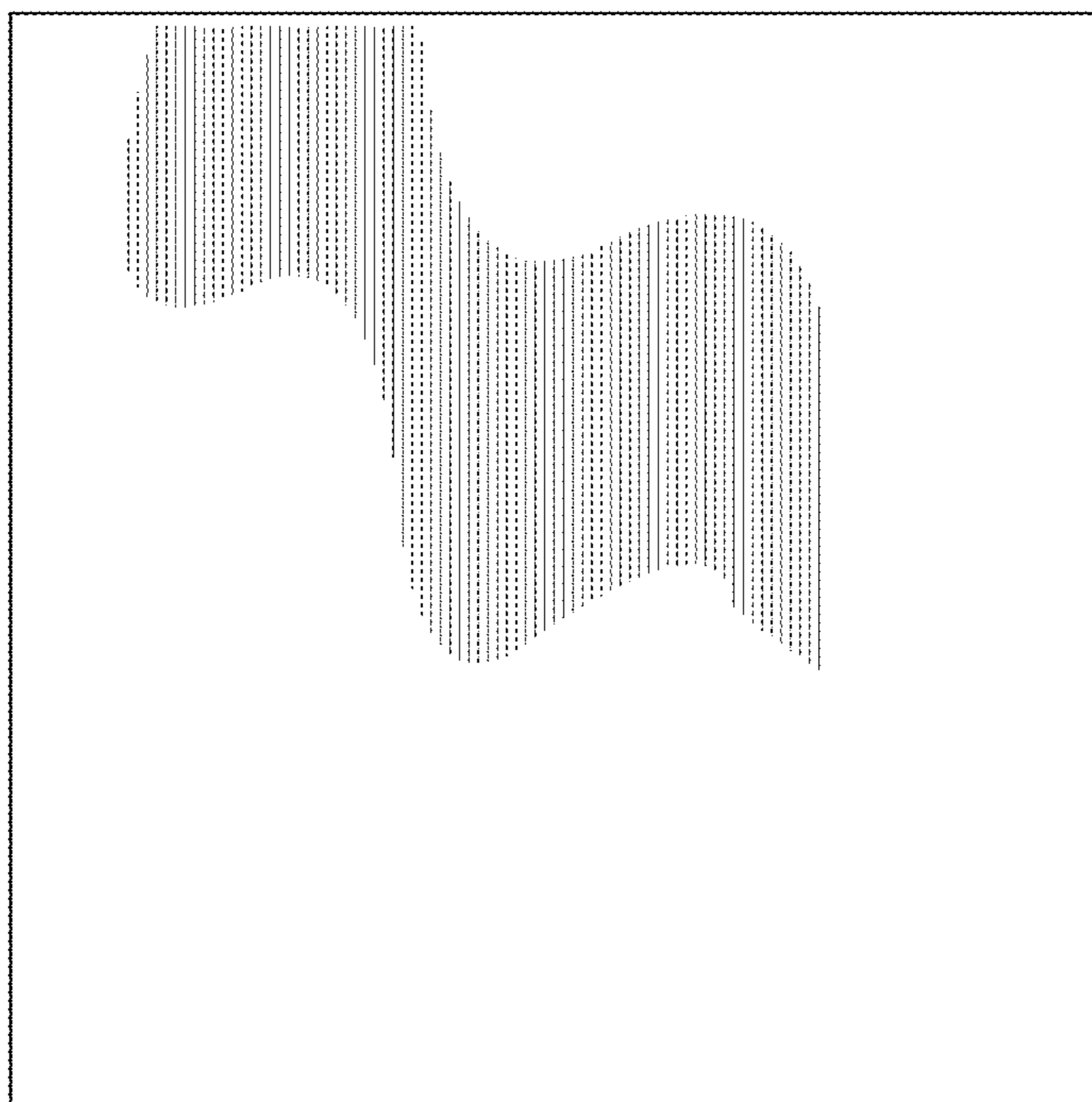


FIG. 8

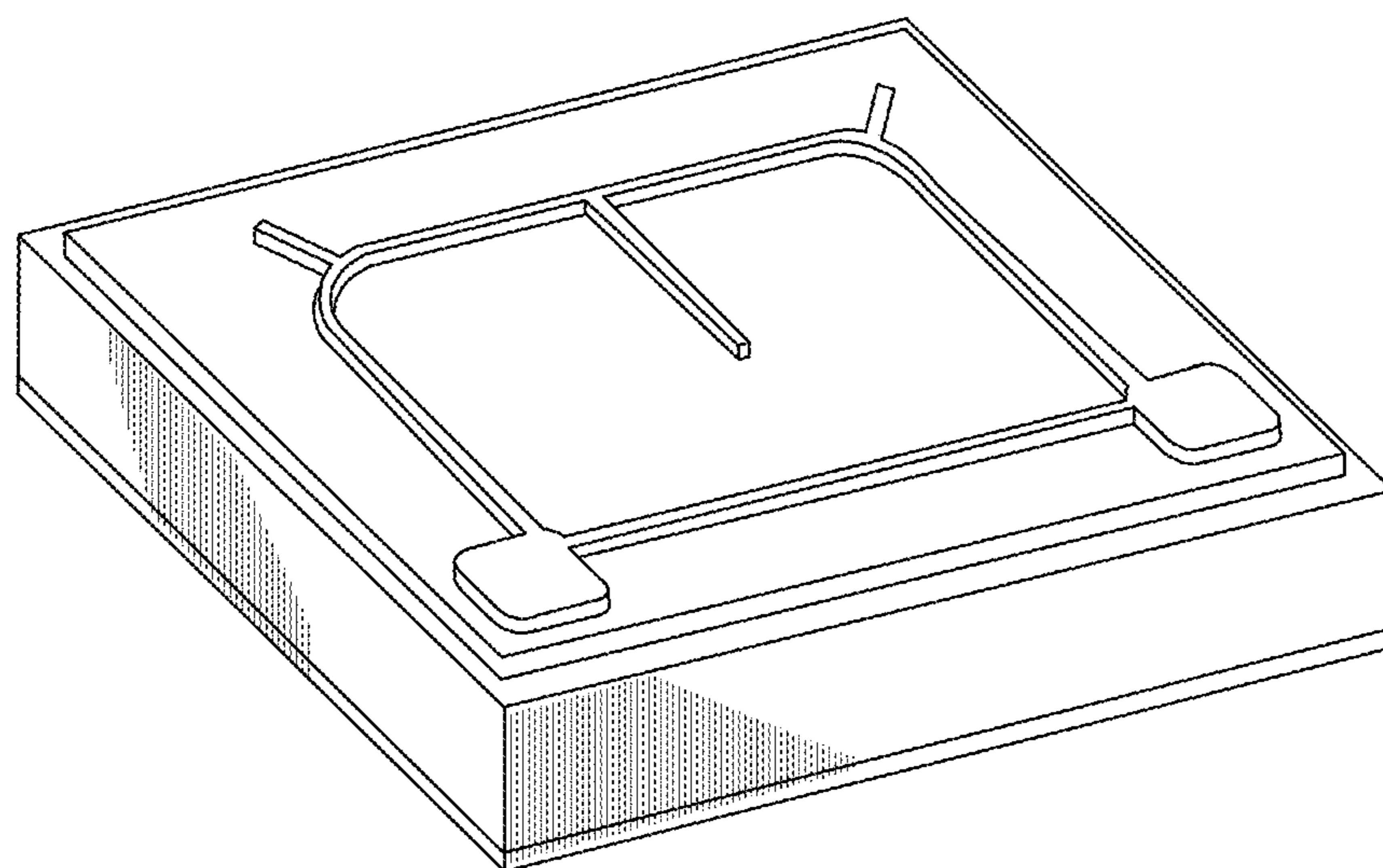


FIG. 9

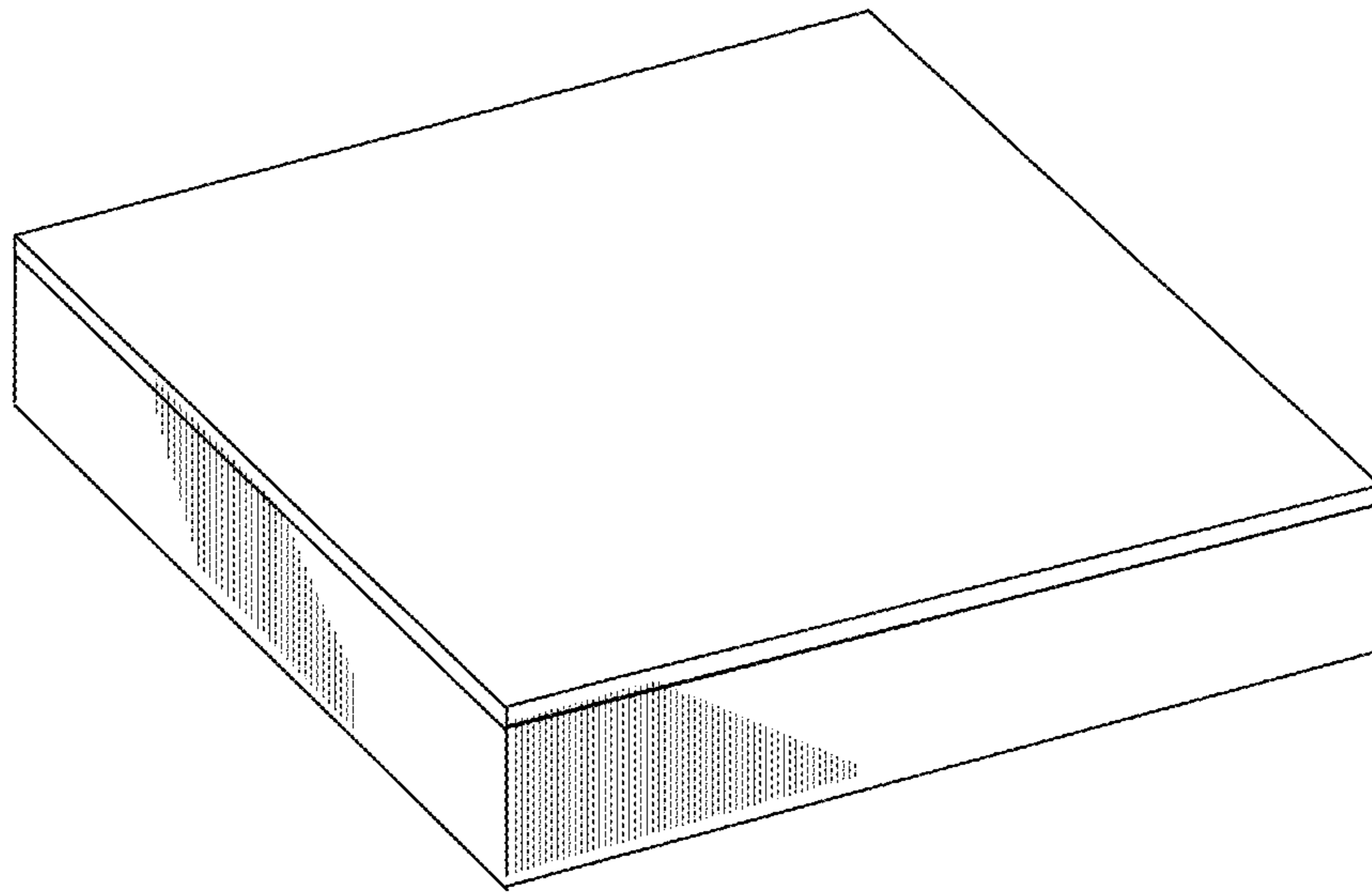


FIG. 10

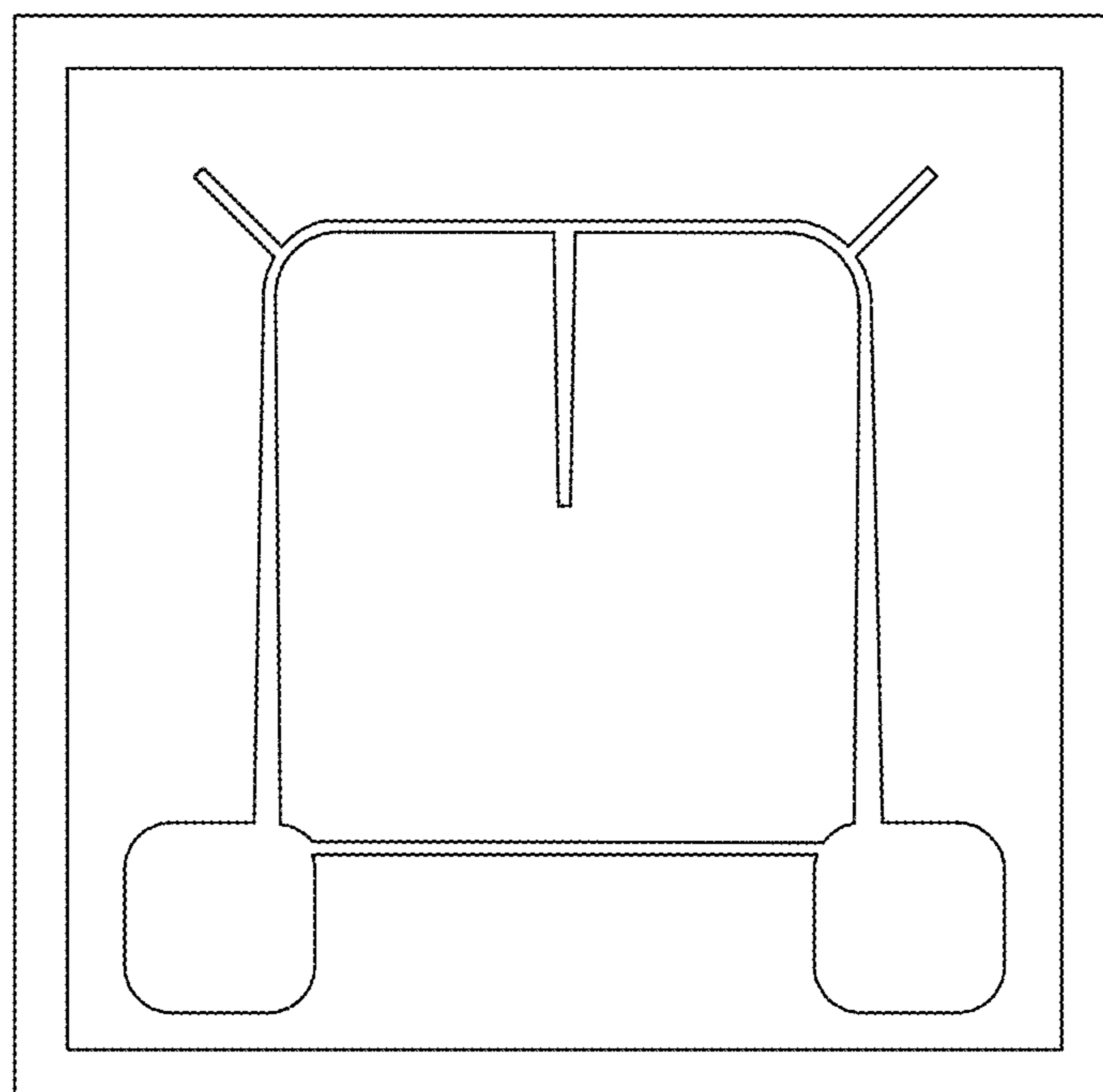


FIG. 11

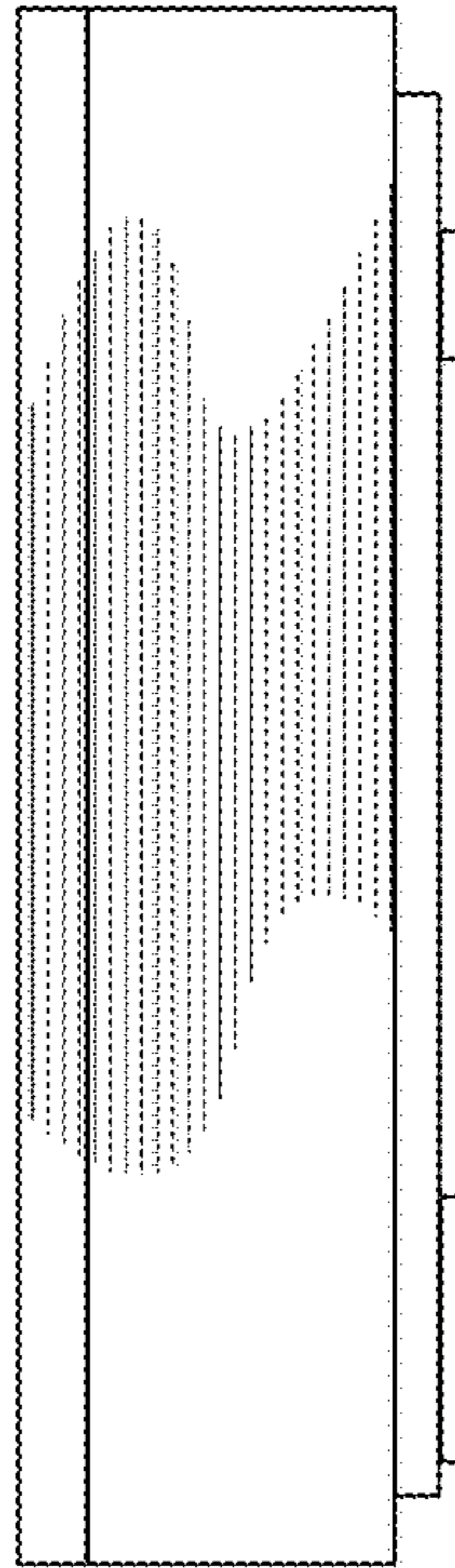


FIG. 12

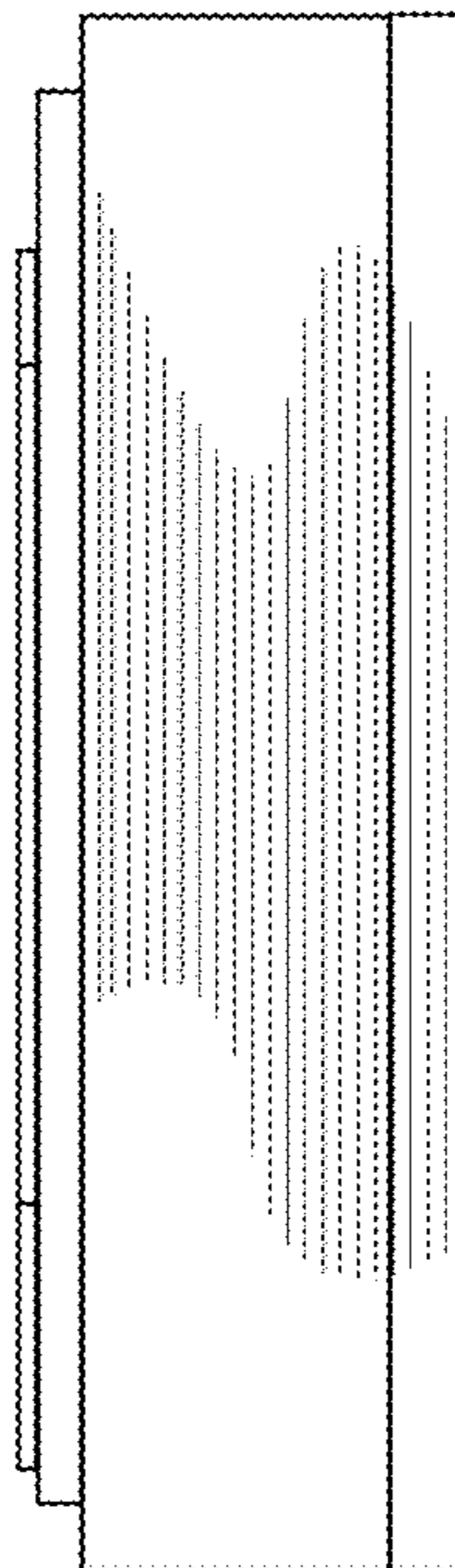


FIG. 13



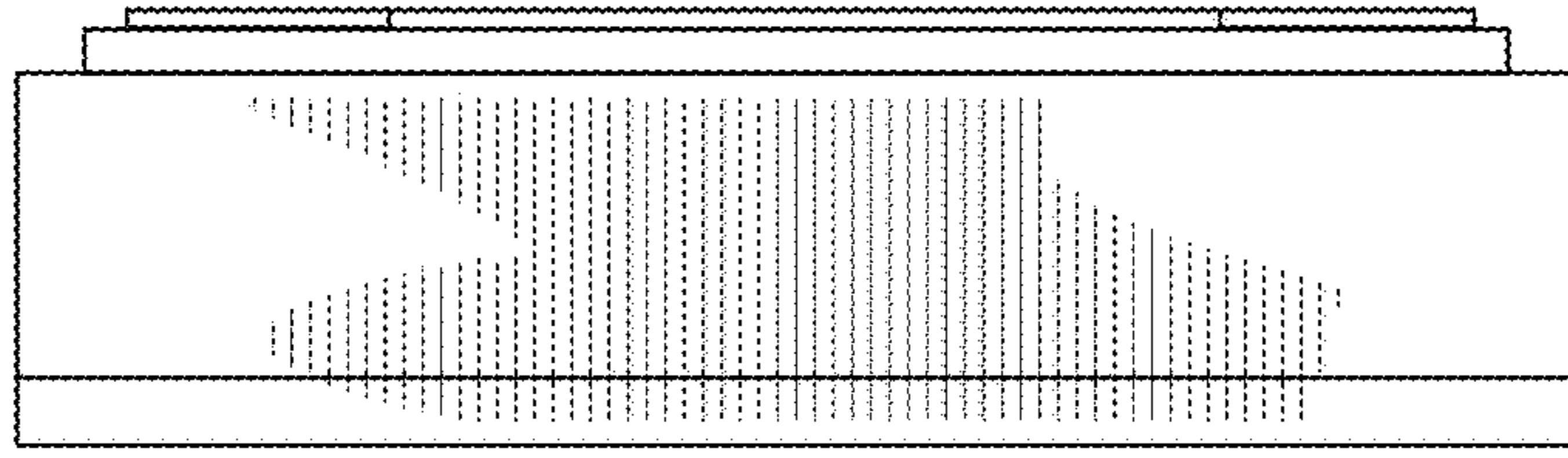


FIG. 14

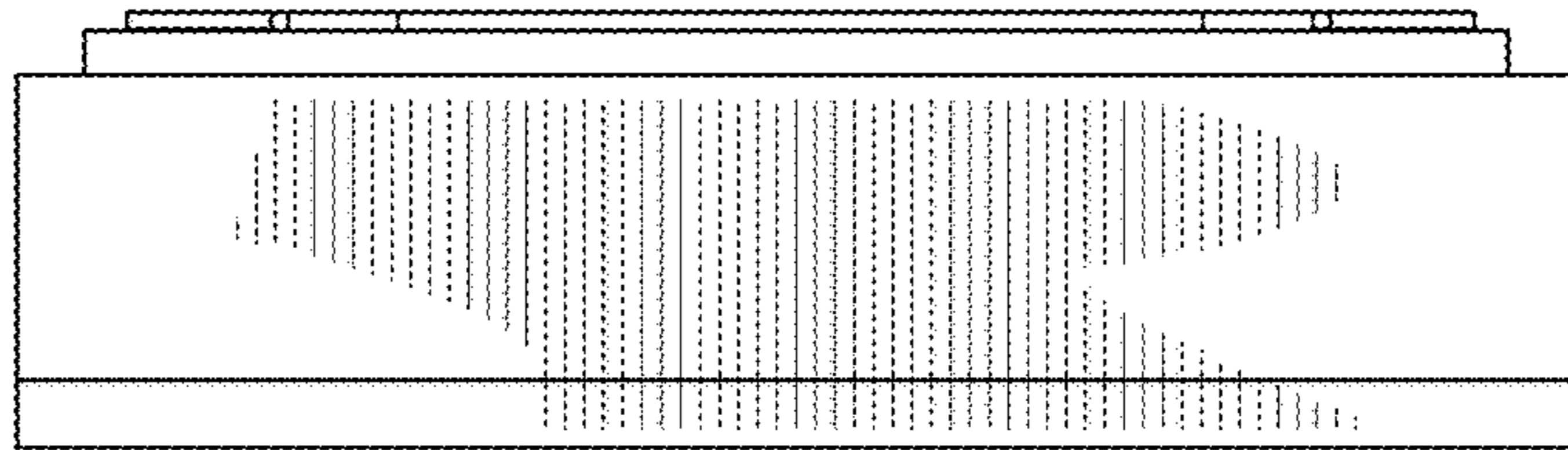


FIG. 15

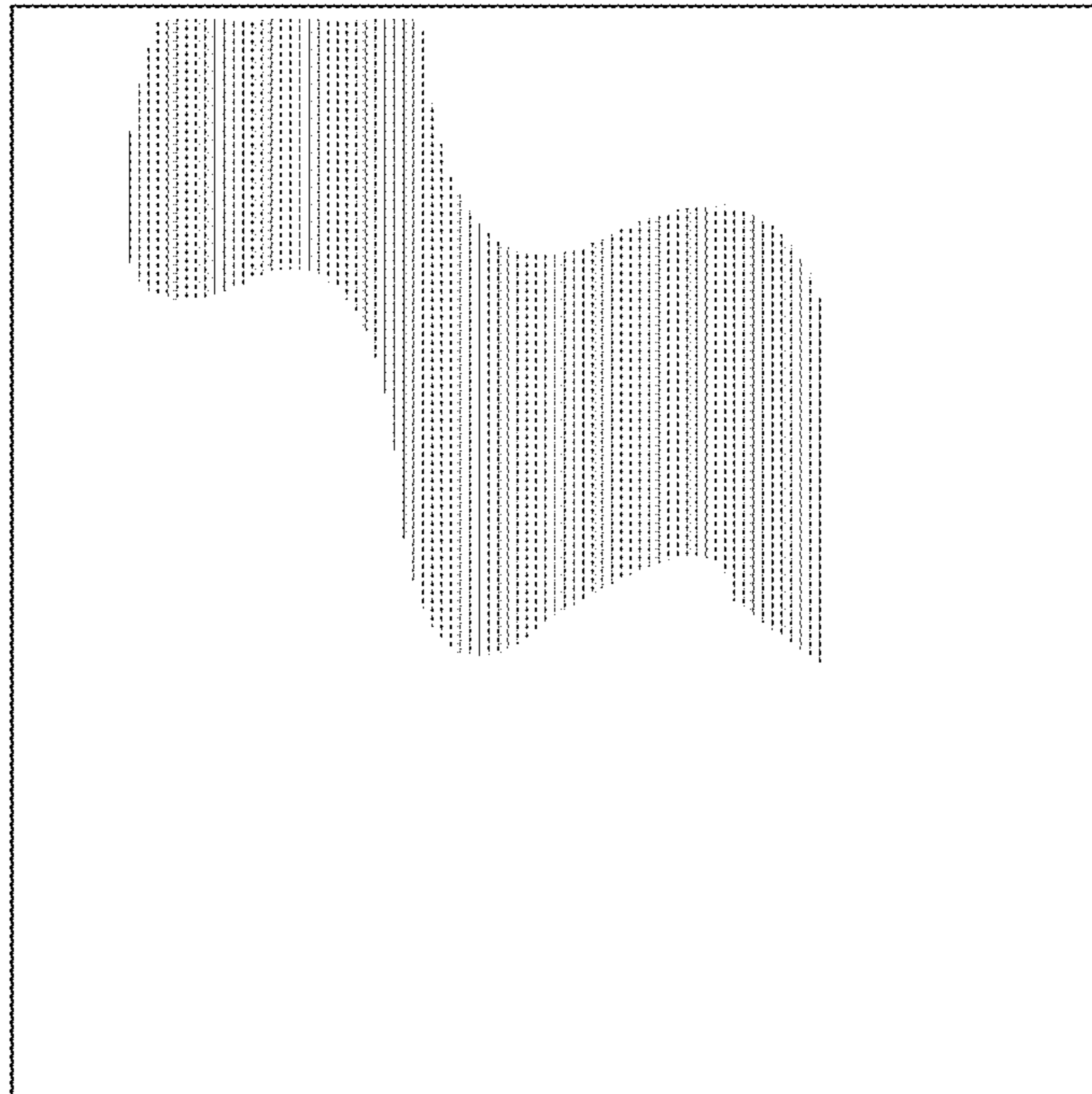


FIG. 16