



US00D795820S

(12) **United States Design Patent** (10) **Patent No.:** **US D795,820 S**
Wengreen (45) **Date of Patent:** **** Aug. 29, 2017**

(54) **CABLE MANAGEMENT SYSTEM**
(71) Applicant: **Innovelis, Inc.**, Sammamish, WA (US)
(72) Inventor: **Eric John Wengreen**, Sammamish, WA (US)

3,294,298 A 12/1966 Danielson
3,477,679 A 11/1969 Lovitz
D220,187 S * 3/1971 Moran et al. D10/100
(Continued)

(73) Assignee: **Innovelis, Inc.**, Sammamish, WA (US)
(**) Term: **15 Years**

OTHER PUBLICATIONS

Out of Sight Bracket—Website Part 1 (downloaded on Nov. 13, 2013 from http://www.outofsightbracket.com/OutOfSightBracket/Out_of_Sight_Bracket_for_Apple_TV.html). The website says the Out of Sight Bracket is “Patent Pending.” The Out of Sight Bracket might have been made by Gordon H. Beckhart.

(21) Appl. No.: **29/557,886**

(Continued)

(22) Filed: **Mar. 14, 2016**

Primary Examiner — Derrick Holland
Assistant Examiner — Jennifer O King

(51) **LOC (10) Cl.** **13-03**

(52) **U.S. Cl.**
USPC **D13/155**

(58) **Field of Classification Search**

USPC D13/110, 120–122, 123, 133, 137.1, D13/139.1, 139.4, 152, 154, 155, 156, D13/158, 162, 164, 173, 177, 184, 199; 174/67, 66; 439/147–149, 373, 391, 535, 439/536, 538; 220/241, 242; 361/600, 361/707, 752; D8/356, 358, 352; D10/39, 75, 80, 64, 103, 49, 123, 126; D16/130, 136, 688, 690, 773
CPC H02G 3/14; H02G 3/081; H02G 11/02; H05K 5/0217; H01R 13/447; B65H 2701/34

See application file for complete search history.

(57) **CLAIM**

The ornamental design for a cable management system, as shown and described.

DESCRIPTION

FIG. 1 is a first side, back, and top perspective view of a cable management system embodying the new design; FIG. 2 is a second side, back, and top perspective view thereof; FIG. 3 is a top view thereof; FIG. 4 is a bottom view thereof; FIG. 5 is a back view thereof; FIG. 6 is a front view thereof; FIG. 7 is a first side view thereof; and, FIG. 8 is a second side view thereof.

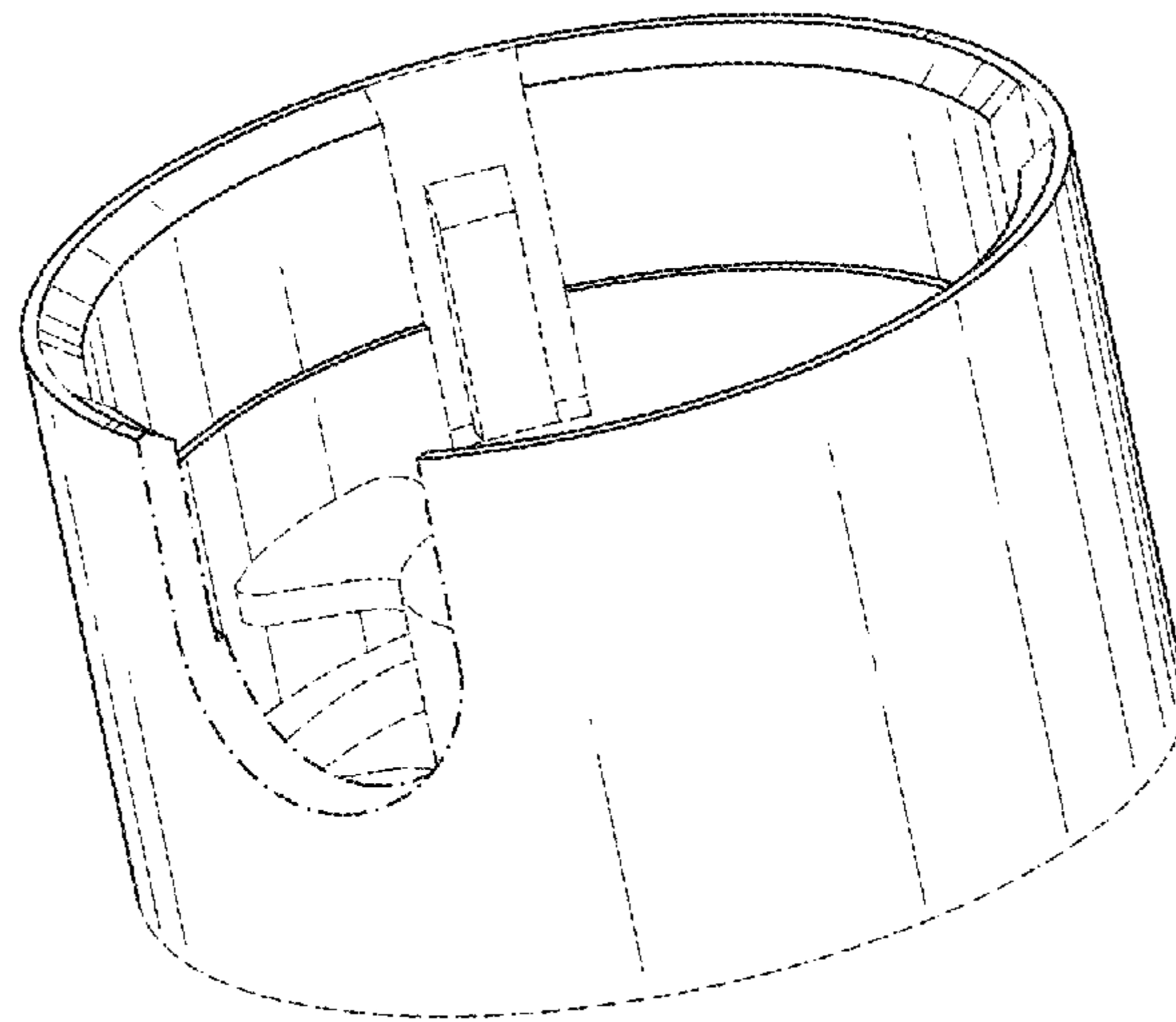
The broken lines shown represent unclaimed subject matter only and form no part of the claim. Where the dot-dash broken lines abut the shaded surface it is understood that those broken lines represent an unclaimed boundary between claimed and unclaimed surfaces. None of the broken lines form any part of the claimed design.

(56) **References Cited**

U.S. PATENT DOCUMENTS

1,618,573 A 2/1927 Cole
D136,825 S * 12/1943 Weingart D10/103
2,584,646 A 2/1952 Wagstaff
3,056,863 A * 10/1962 Johnson H01R 13/72
191/12.4
3,091,378 A 5/1963 O’Dwyer
D196,542 S 10/1963 Zelnick
3,176,950 A 4/1965 Hittesdorf
3,279,009 A 10/1966 Teasdale

1 Claim, 4 Drawing Sheets



(56)

References Cited

U.S. PATENT DOCUMENTS

D242,221 S *	11/1976	Lonegren	D9/688	6,193,546 B1	2/2001	Sadler	
3,990,617 A	11/1976	Carter			D443,493 S	6/2001	Skeem	
D242,766 S	12/1976	Neece			6,275,885 B1	8/2001	Chin	
4,067,532 A	1/1978	Viteretto			6,336,615 B1	1/2002	Jeon	
4,150,798 A *	4/1979	Aragon	H02G 11/02 191/12.2 R	D455,094 S *	4/2002	Schneider D10/103
4,158,450 A	6/1979	Suzuki			D456,024 S	4/2002	Richter	
4,322,045 A *	3/1982	Tellier	B65H 75/40 242/388.1	D456,413 S	4/2002	Malson	
4,467,244 A	8/1984	Dickie			D456,692 S *	5/2002	Epstein D8/354
4,489,902 A *	12/1984	Chaconas	H02G 11/02 191/12.2 R	6,485,144 B1	11/2002	Liao	
4,519,656 A	5/1985	Raz			D471,547 S	3/2003	Ruohonen	
D280,466 S	9/1985	Seltzer			D473,516 S *	4/2003	Gresham D13/139.4
D282,034 S	1/1986	Janke			6,554,527 B1	4/2003	O'Donnell	
4,602,761 A	7/1986	Carter			6,560,983 B1	5/2003	Schimmeyer	
4,697,780 A	10/1987	Wenkman			6,691,374 B2	2/2004	Coyne	
4,746,042 A	5/1988	King			6,888,940 B1	5/2005	Deppen	
4,771,927 A	9/1988	Ventura			D508,605 S	8/2005	Hwang et al.	
4,815,683 A	3/1989	Ferrante			6,939,641 B2	9/2005	Kincaid	
4,825,590 A	5/1989	Cullinane			D521,941 S *	5/2006	Phung D13/156
4,826,115 A	5/1989	Novitski			7,047,601 B1	5/2006	Vernon-Woods	
4,840,773 A	6/1989	Wade			7,079,384 B2	7/2006	Wang	
4,852,843 A	8/1989	Chandler			7,080,764 B2	7/2006	McNicholas	
4,901,938 A *	2/1990	Cantley	B65H 75/44 242/378.1	7,093,783 B2 *	8/2006	Warren B65H 75/48 242/378.1
4,974,764 A	12/1990	Cantwell			7,113,218 B2	9/2006	Battles	
D317,157 S	5/1991	Jondelius			D529,713 S	10/2006	Guyot	
5,038,985 A	8/1991	Chapin			D529,905 S	10/2006	Richter	
5,092,395 A	3/1992	Amidzich			D530,713 S	10/2006	Richter	
D331,915 S *	12/1992	Martin	D13/154	D533,175 S	12/2006	Richter	
5,227,582 A	7/1993	Velasco			7,145,603 B2	12/2006	Whitby	
5,273,690 A	12/1993	McDowell			D535,826 S	1/2007	Toghanian	
5,297,318 A	3/1994	Adolphson			D536,239 S	2/2007	Tallman	
D351,341 S	10/1994	Hung			7,222,762 B2	5/2007	Rees	
5,385,282 A	1/1995	Chen			D545,343 S	6/2007	Braun	
5,400,990 A	3/1995	Frankel			D547,863 S	7/2007	Heinsch	
D359,616 S	6/1995	Ishibashi			D551,008 S	9/2007	Hidalgo	
D361,335 S	8/1995	Rudkiewicz			D553,352 S	10/2007	Allen	
D361,462 S	8/1995	Newham			D554,525 S *	11/2007	Py D9/686
D369,465 S	5/1996	Scheid			D557,266 S	12/2007	Hughes	
5,535,093 A	7/1996	Noguchi			D560,411 S	1/2008	Chung	
D376,787 S	12/1996	Calfee			D561,566 S *	2/2008	Perez Delgado D8/358
5,593,124 A	1/1997	Wang			D564,529 S	3/2008	Hughes	
5,619,395 A	4/1997	McBride			D565,399 S	4/2008	Grey	
5,619,774 A	4/1997	Perry			D568,889 S	5/2008	Hughes	
D387,730 S *	12/1997	McCarthy	D13/133	7,367,089 B2	5/2008	Cooke	
D388,107 S	12/1997	Huckins			D570,801 S	6/2008	Allen	
D389,761 S *	1/1998	Thomas	D10/103	D577,300 S *	9/2008	Radecke D10/75
D390,849 S	2/1998	Richter			D586,795 S	2/2009	Richter	
D401,951 S *	12/1998	Spielberg	D16/130	D596,172 S	7/2009	Ahlqvist	
5,850,998 A	12/1998	Parsey			D598,945 S	8/2009	Gillespie	
5,853,136 A *	12/1998	Lai	B65H 75/28 242/388.1	7,580,255 B2	8/2009	Crooijmans	
D407,408 S	3/1999	Hoff			D601,000 S	9/2009	Cole	
D408,355 S *	4/1999	Welsh	D13/139.4	D609,030 S	2/2010	Barabas	
D409,079 S	5/1999	Sobczynski			D610,579 S	2/2010	Behar	
5,899,371 A	5/1999	Weliver			D621,356 S *	8/2010	Tsai D13/133
D411,542 S	6/1999	Richter			D624,949 S	10/2010	Nakayama	
5,914,707 A	6/1999	Kono			D625,729 S	10/2010	McNames	
D415,052 S *	10/1999	Mann	D10/103	D628,611 S	12/2010	Lewis	
5,961,083 A	10/1999	Hartman			7,854,420 B2	12/2010	Depay	
D416,822 S *	11/1999	Slate	D10/103	D633,503 S	3/2011	Bo	
5,979,724 A	11/1999	Loewenthal			7,959,121 B1	6/2011	Barnes	
D420,149 S	2/2000	Hersh			7,980,435 B2	7/2011	Tages	
6,039,173 A	3/2000	Crow			D648,727 S	11/2011	Van Den Nieuwenhuizen	
D425,353 S	5/2000	Foy			D653,211 S *	1/2012	Magnezi D13/133
6,059,081 A *	5/2000	Patterson	H02G 11/02 191/12.2 A	D657,362 S	4/2012	Lister	
6,102,660 A	8/2000	Lee			D662,491 S	6/2012	Andre	
6,105,923 A	8/2000	Robertson			D667,411 S	9/2012	Kim	
D431,250 S	9/2000	Richter			8,317,121 B2 *	11/2012	Tracey B65H 75/4471 137/355.26
D435,520 S *	12/2000	Yuyama	D13/158	D672,308 S	12/2012	Cobbett	
6,163,997 A	12/2000	Deralas			8,322,584 B2	12/2012	Dethmers	
					D675,162 S *	1/2013	Kenzaki D13/133
					8,544,805 B2	10/2013	Virgin	
					D695,748 S	12/2013	Morris	
					D700,832 S	3/2014	Ng	
					D705,229 S	5/2014	Wengreen	
					D709,460 S *	7/2014	Clifton D13/156
					D710,340 S	8/2014	Wengreen	
					D712,906 S	9/2014	Wengreen	
					D713,399 S	9/2014	Green	

(56)

References Cited

U.S. PATENT DOCUMENTS

8,848,113	B2	9/2014	Wengreen	
D714,793	S	10/2014	Kim	
D716,580	S	11/2014	Wengreen	
8,896,768	B1	11/2014	Wengreen	
D721,284	S *	1/2015	Yeo	D9/684
D721,335	S *	1/2015	Smeja	D13/155
D721,750	S *	1/2015	Teetzel	D16/136
8,934,060	B1	1/2015	Wengreen	
8,934,061	B1	1/2015	Wengreen	
8,939,417	B1	1/2015	Wengreen	
D723,042	S	2/2015	Lee	
8,988,616	B2	3/2015	Wengreen	
D730,826	S *	6/2015	Moanack	D13/110
D732,939	S	6/2015	Cannaverde	
D733,542	S	7/2015	Cannaverde	
D734,305	S	7/2015	Wengreen	
D735,174	S	7/2015	Wengreen	
9,131,195	B2	9/2015	Wengreen	
D740,233	S *	10/2015	Johnson	D13/156
9,190,824	B2 *	11/2015	Knudsen	H02G 11/02
D749,549	S	2/2016	Wengreen	
D749,597	S	2/2016	Wengreen	
D752,415	S	3/2016	Lu	
D753,748	S *	4/2016	Schneider	D15/140
9,339,112	B2	5/2016	Wengreen	
D770,552	S *	11/2016	Radl	D16/130
D786,728	S *	5/2017	Leigh-Bramwell	D10/103
D788,623	S *	6/2017	Amamiya	D10/103
2005/0023419	A1	2/2005	Frankel	
2005/0211861	A1	9/2005	Lee	
2005/0236541	A1	10/2005	Chang	
2006/0224575	A1	10/2006	Ostojic	
2007/0097617	A1	5/2007	Searby	
2007/0235609	A1	10/2007	Chun	
2007/0264169	A1	11/2007	Chen	
2008/0078793	A1	4/2008	Brown	
2009/0218454	A1	9/2009	Stanley	
2009/0296997	A1	12/2009	Rochefford	
2010/0281671	A1	11/2010	De Vaan	
2010/0288895	A1	11/2010	Shamie	
2010/0314277	A1	12/2010	Murray	
2011/0242439	A1	10/2011	Calderon	
2012/0126081	A1	5/2012	Wengreen	
2012/0127379	A1	5/2012	Wengreen	
2012/0168516	A1	7/2012	Bolger	
2012/0312950	A1	12/2012	Sears	
2014/0061406	A1	3/2014	Chevalier	
2015/0305502	A1	10/2015	Wengreen	

OTHER PUBLICATIONS

Out of Sight Bracket—Website Part 2 (downloaded on Nov. 13, 2013 from http://www.outofsightbracket.com/OutOfSightBracket/How_to_mount_your_Apple_TV_or_AirPort_Express.html). The website says the Out of Sight Bracket is “Patent Pending.” The Out of Sight Bracket might have been made by Gordon H. Beckhart.

Out of Sight Bracket—Website Part 3 (downloaded on Nov. 13, 2013 from <http://www.soundandvision.com/content/bracket-keeps-apple-airport-express-and-apple-tv-out-sight>).

TV Tray—Website (downloaded on Nov. 13, 2013 from <http://h-sq.com/products/tvtray/>).

TV Tray—Installation Guide (downloaded on Nov. 13, 2013 from http://www.h-sq.com/downloads/tvtx_ug.pdf).

Cosmos Tray—Website (downloaded on Nov. 13, 2013 from http://www.amazon.com/Cosmos-MD199LL-AirPort-Express-Station/dp/B00C2JNGB2/ref=sr_1_4?ie=UTF8&qid=1384406376&sr=8-4&keywords=apple+tv+mount).

CTA Digital—Website (downloaded on Nov. 13, 2013 from <http://www.ctadigital.com/downloads/KIN-WMC-final.pdf>).

PDP Mounting Clip—Part 1 (downloaded on Nov. 13, 2013 from <http://www.amazon.com/Kinect-Sensor-TV-Mounting-Clip-Xbox/dp/B004XV6ST4>).

PDP Mounting Clip—Part 2 (downloaded on Nov. 13, 2013 from http://www.microsoftstore.com/store/msusa/en_US/pdp/Kinect-Sensor-TV-Mounting-Clip/productID.253726200).

PDP Mounting Clip—Part 3 (downloaded on Nov. 13, 2013 from <http://www.bestbuy.com/site/pdp-sensor-mounting-clip-for-kinect/3521258.p?id=1218408957863&skuId=3521258>).

ScreenDeck (downloaded on Nov. 13, 2013 from http://news.cnet.com/8301-17938_105-20071226-1/screendeck-adds-top-shelf-to-your-flat-panel-tv/).

Center Stage Bracket—Part 1 (downloaded on Nov. 13, 2013 from <http://www.bestbuy.com/site/center-stage-bracket-satellite-center-channel-speaker-shelf-bracket-black/5857191.p?id=1218697292805&skuId=5857191>).

Center Stage Bracket—Part 2 (downloaded on Nov. 13, 2013 from <http://www.bestbuy.com/site/center-stage-bracket-satellite-center-channel-speaker-shelf-bracket-black/5857191.p?id=1218697292805&skuId=5857191>).

DreamGear TriMount (downloaded on Nov. 14, 2013 from <http://www.dreamgear.net/shop-by-platform/universal/trimount.html>).

Cisco router wall mounting instructions (downloaded on Jan. 2, 2014 from <http://www.cisco.com/en/US/docs/routers/access/1800/1841/hardware/installation/guide/18inst.pdf>).

Cisco wall mounting bracket (downloaded on Jan. 2, 2014 from <http://www.cisco.com/en/US/docs/routers/access/800/806/hardware/installation/guide/install.pdf>).

Netgear ProSafe (downloaded on Jan. 2, 2014 from http://www.storagereview.com/netgear_prosafe_wndap660_dualband_wireless_access_point_review) article includes a date of Dec. 21, 2012.

Wireless router picture (downloaded on Jan. 2, 2014 from <http://www.techwarelabs.com/wp-content/gallery/engenius-esr9850-wireless-router/router-bottom.jpg>).

Apple TV, downloaded on Feb. 3, 2014 from <http://www.apple.com/appletv/what-is/>.

Roku media players—Part 1, downloaded on Feb. 3, 2014 from <http://www.roku.com/products/roku-2>.

Roku media players—Part 2, downloaded on Feb. 3, 2014 from <http://www.roku.com/products/compare>.

Innovelis, Inc. Product—TotalMount—Apple TV Mounting Kit, downloaded from Amazon.com on Feb. 3, 2014, first available on Amazon.com on Jun. 22, 2011: http://www.amazon.com/TotalMount-Apple-Universal-Mounting-Kit/dp/B0057CVH6W/ref=sr_1_1?ie=UTF8&qid=1391473446&sr=8-1&keywords=TOTALMOUNT.

Innovelis, Inc. Product—TotalMount—Roku Mounting Kit, downloaded from Amazon.com on Feb. 3, 2014, first available on Amazon.com on Jun. 14, 2012: http://www.amazon.com/TotalMount-ROKU-UNIVERSAL-MOUNTING-Compatible/dp/B008B1125W/ref=sr_1_2?ie=UTF8&qid=1391473922&sr=8-2&keywords=totalmount.

Innovelis, Inc. Product—TotalMount—Remote Holder, downloaded from Amazon.com on Feb. 3, 2014, first available on Amazon.com on Jul. 2, 2013: http://www.amazon.com/Apple-TV-Remote-Holder-TotalMount/dp/B00DR76YJO/ref=sr_1_3?ie=UTF8&qid=1391474218&sr=8-3&keywords=totalmount.

Innovelis, Inc. Product—TotalMount—AirPort Express Mounting Kit, downloaded from Amazon.com on Feb. 3, 2014, first available on Amazon.com in approximately Sep. 2012: http://www.amazon.com/TotalMount-AirPort-Express-Mounting-Kit/dp/B009HC7BL8/ref=sr_1_4?ie=UTF8&qid=1391474218&sr=8-4&keywords=totalmount.

Innovelis, Inc. Product—TotalMount—Roku Mounting Kit (Version 1), downloaded from Amazon.com on Feb. 3, 2014, first available on Amazon.com on Jan. 19, 2012: http://www.amazon.com/TotalMount-ROKU-MOUNTING-Compatible-Roku/dp/B006ZS4R46/ref=sr_1_5?ie=UTF8&qid=1391474218&sr=8-5&keywords=totalmount.

Innovelis, Inc. Product—TotalMount—AirPort Extreme Mounting Kit, downloaded from Amazon.com on Feb. 3, 2014, first available on Amazon.com in approximately Apr. 2013: http://www.amazon.com/TotalMount-Compatible-generations-compatible-generation/dp/B00CK2CDLK/ref=sr_1_7?ie=UTF8&qid=1391474218&sr=8-7&keywords=totalmount.

(56)

References Cited

OTHER PUBLICATIONS

Innovelis, Inc. Product—TotalMount—Vizio Mounting Kit, downloaded from Amazon.com on Feb. 3, 2014, first available on Amazon.com in approximately May 2013: http://www.amazon.com/TotalMount-VIZIO-Co-Star-Mounting-Kit/dp/B00GDMXSZ8/ref=sr_1_10?ie=UTF8&qid=1391474218&sr=8-10&keywords=totalmount.

Innovelis, Inc. Product—TotalMount—Amazon Fire TV Mounting System, downloaded from Amazon.com on Mar. 7, 2016, first available on Amazon.com in approximately Jul. 2014 http://www.amazon.com/TotalMount-VIZIO-Co-Star-Mounting-Kit/dp/B00GDMXSZ8/ref=sr_1_10?ie=UTF8&qid=1391474218&sr=8-10&keywords=totalmount.

Amazon Fire TV, downloaded on Jun. 2, 2014 from <http://www.amazon.com/Fire-TV-streaming-media-player/dp/B00CX5P8FC>.

Logitech HD Pro Webcam C910, downloaded on Oct. 9, 2014 from http://www.amazon.com/Logitech-Webcam-C910-1080p-Video/dp/B003M2YT96/ref=sr_1_6?ie=UTF8&qid=1287528024&sr=8-6.

HP KQ246AA 8.0 MP Deluxe Webcam, downloaded on Oct. 9, 2014 from http://www.amazon.com/HP-KQ246AA-8-0-Deluxe-Webcam/dp/B001D8AGA2/ref=sr_1_4?ie=UTF8&qid=1410543707&sr=8-4&keywords=hp+webcam.

Logitech Webcam C200, downloaded on Oct. 9, 2014 from http://www.amazon.com/Logitech-960-000415-Webcam-C200/dp/B002GP7ZTQ/ref=pd_cp_pc_0.

USB 6 LED PC Webcam, downloaded on Oct. 9, 2014 from http://www.amazon.com/Webcam-Camera-Night-Vision-Meeting/dp/B00MTGV4F8/ref=sr_1_88?s=electronics&ie=UTF8&qid=1410543946&sr=1-88&keywords=webcam+clamp.

Twelve South—HiRise Owner's Guide (showing additional details regarding the product shown in U.S. Pat. No. D713,399), available at least as early as Aug. 8, 2013.

* cited by examiner

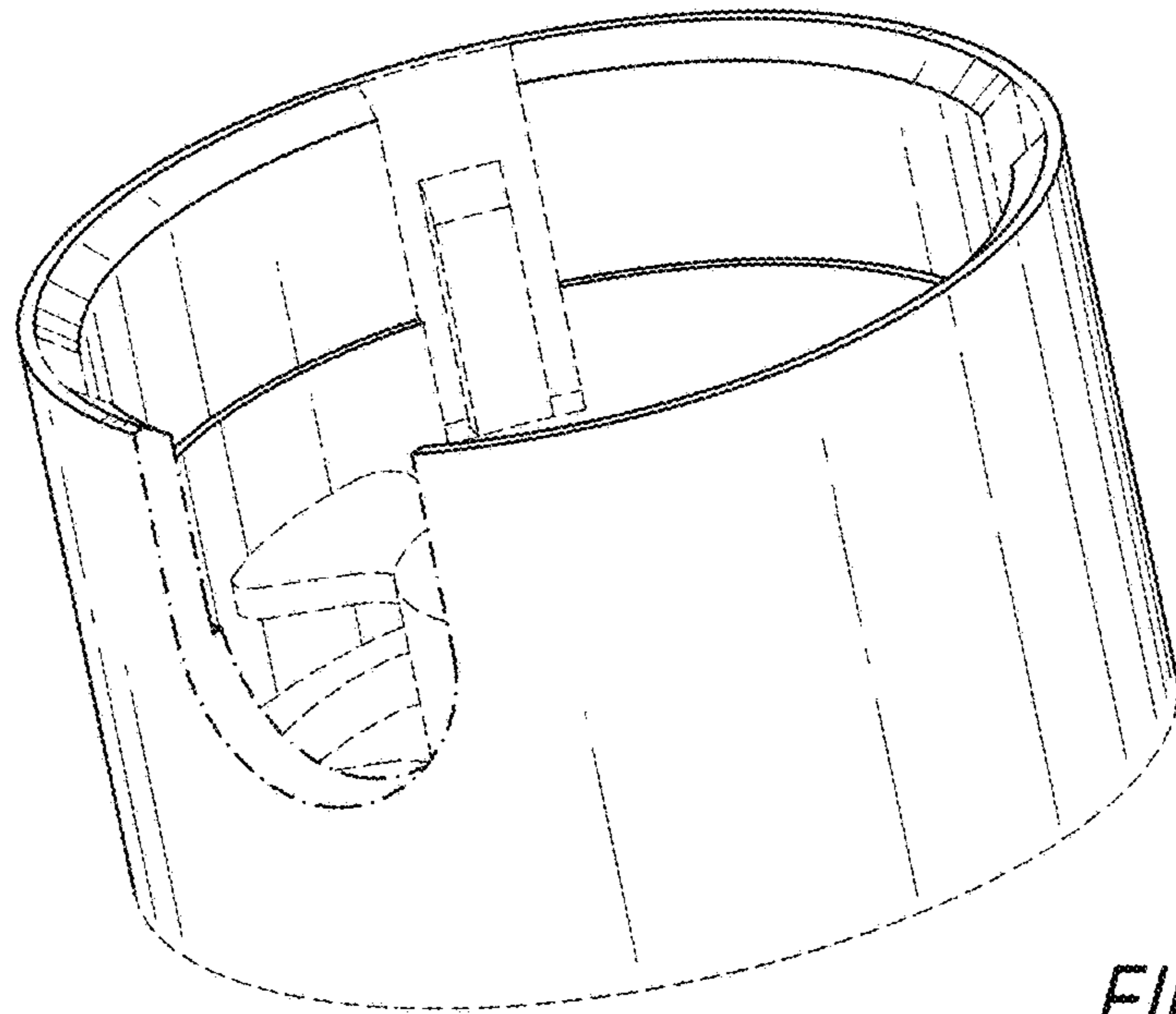


FIG. 1

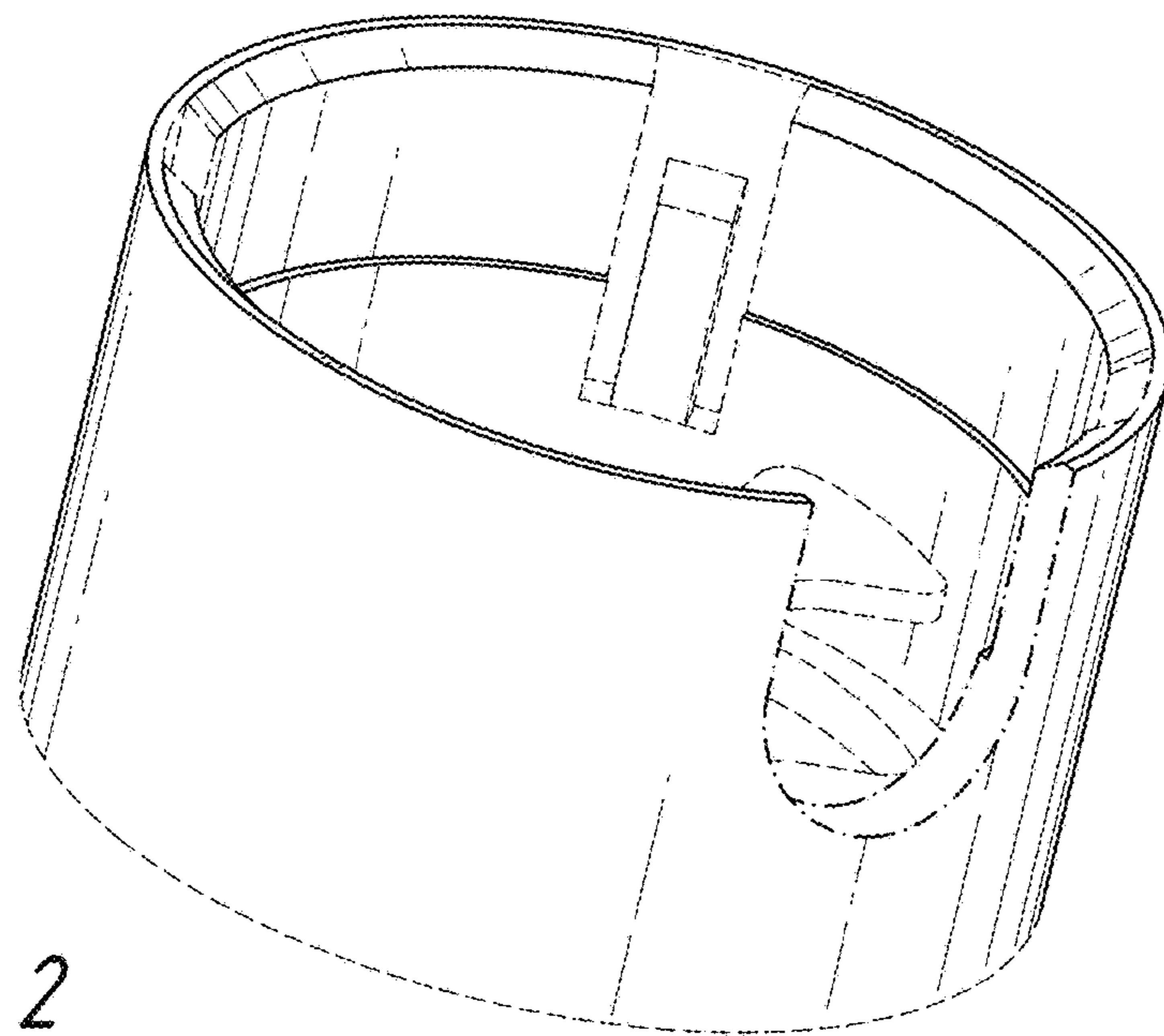


FIG. 2

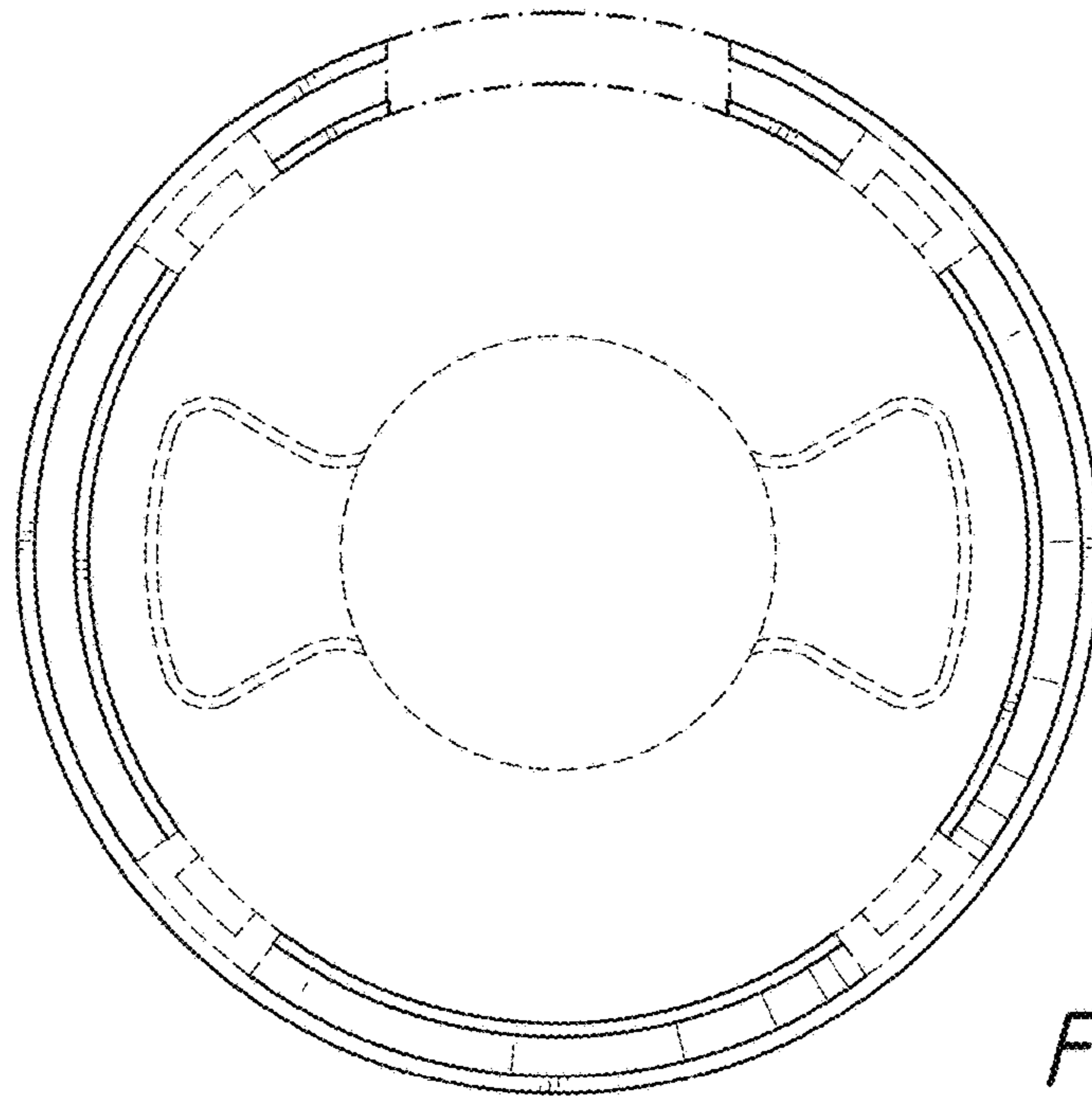


FIG. 3

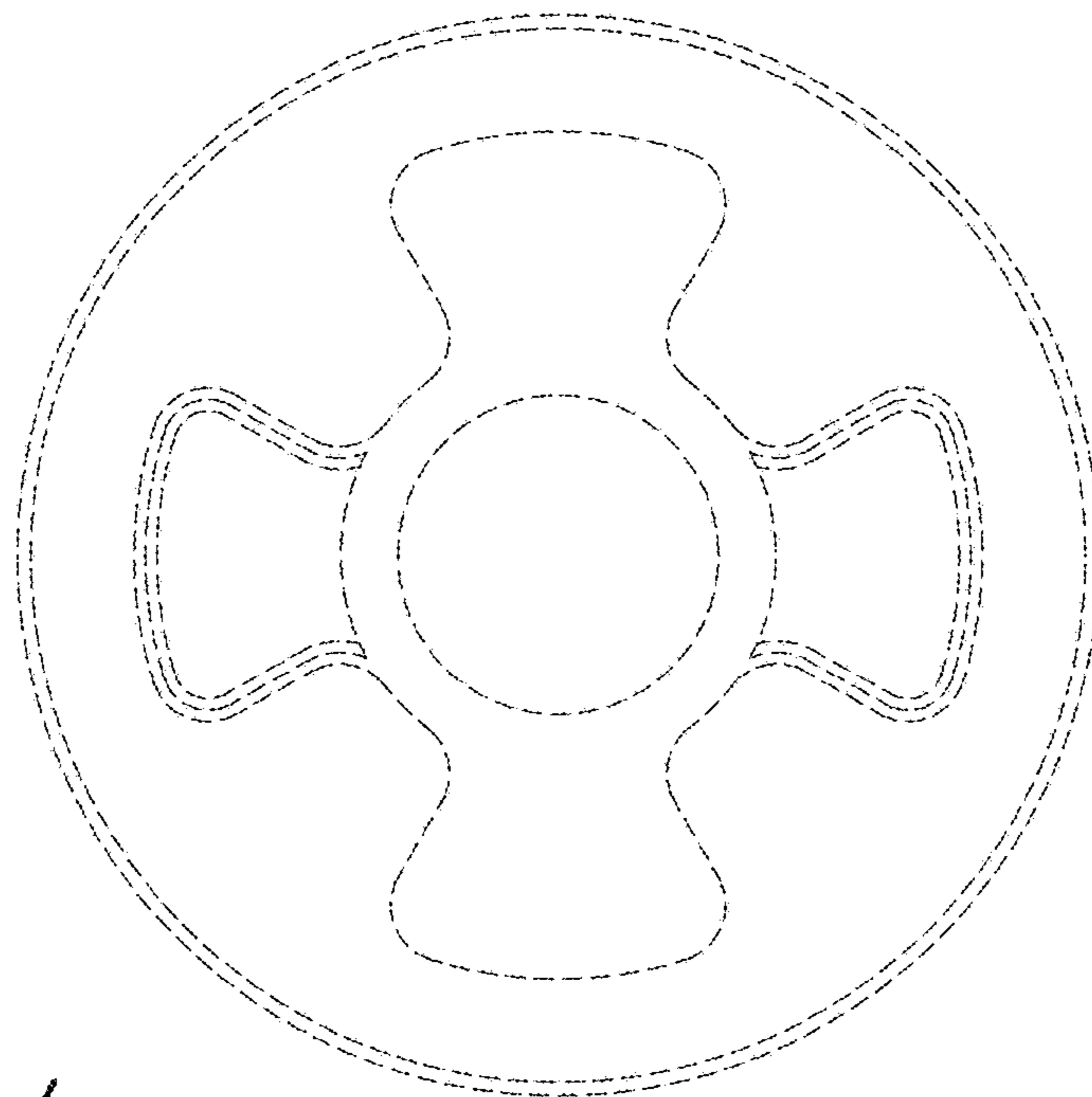


FIG. 4

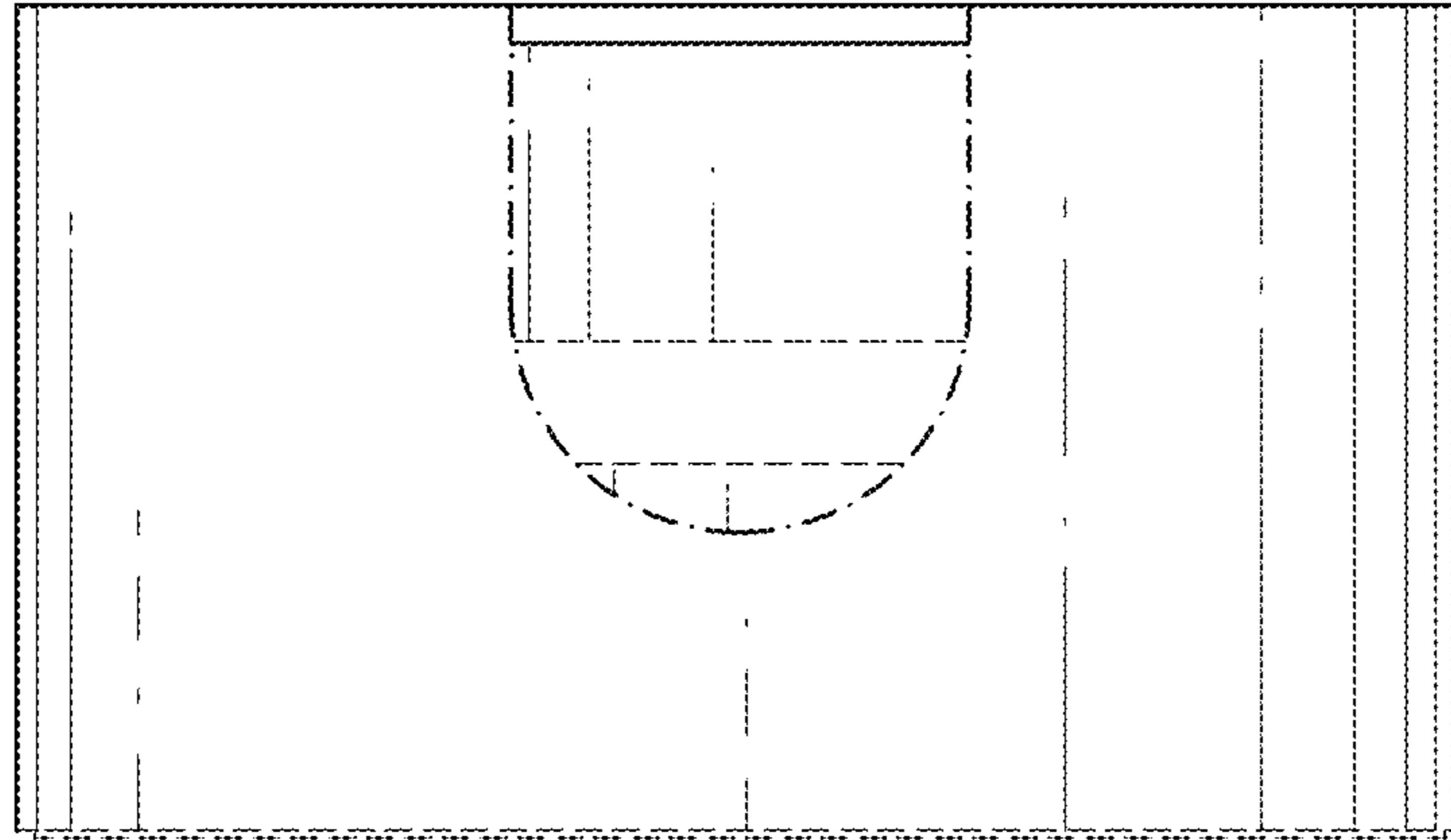


FIG. 5

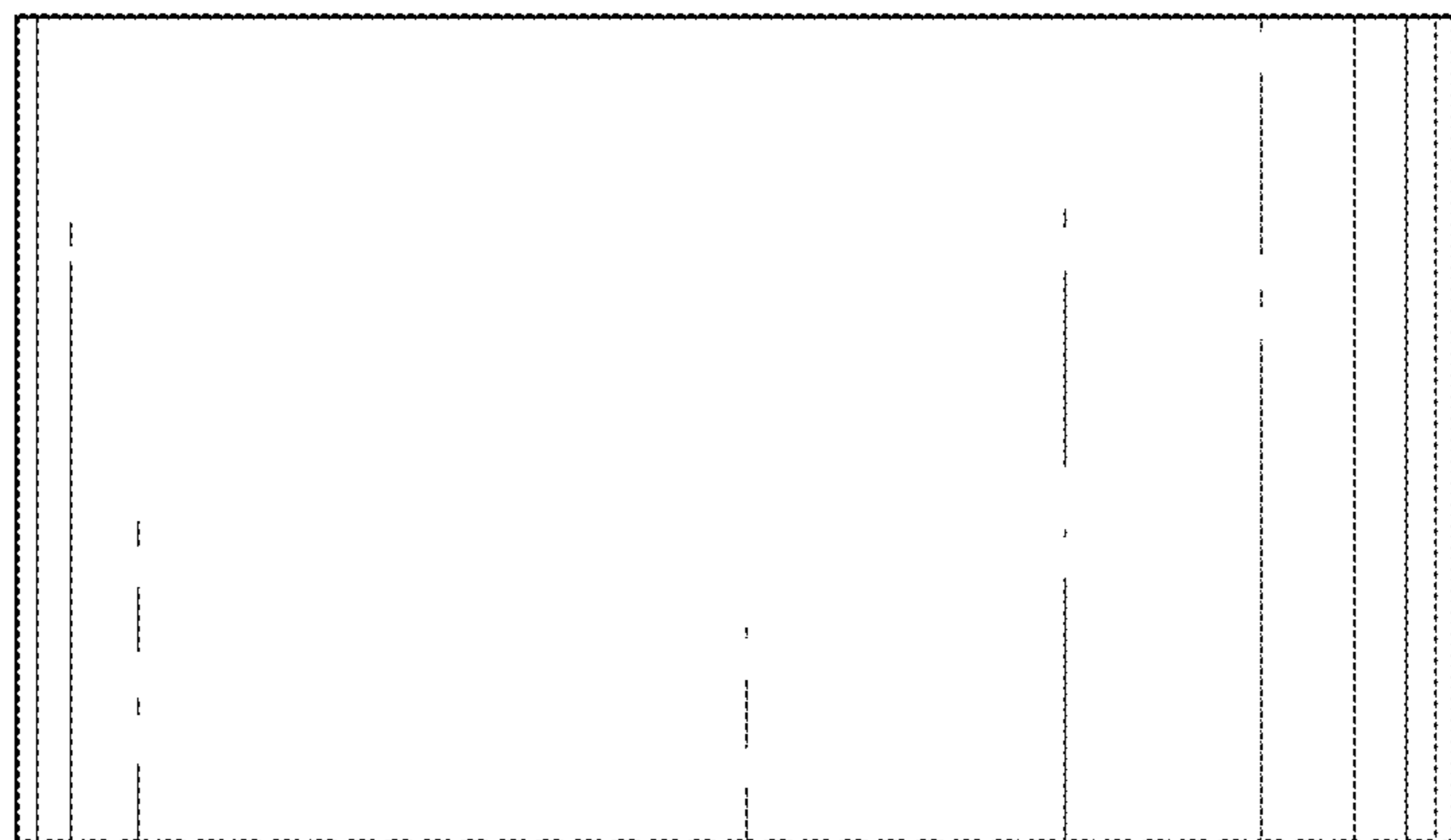


FIG. 6

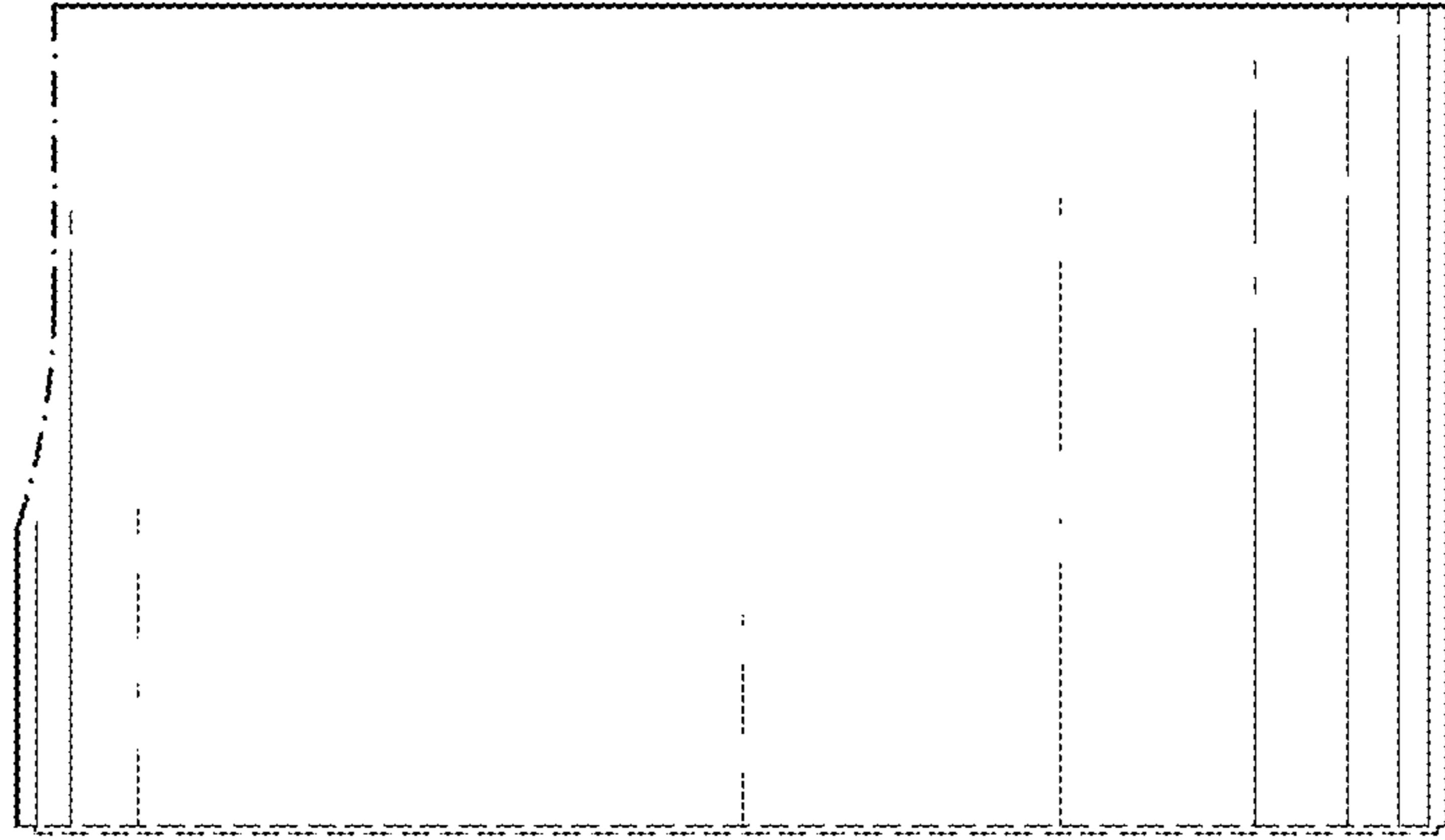


FIG. 7

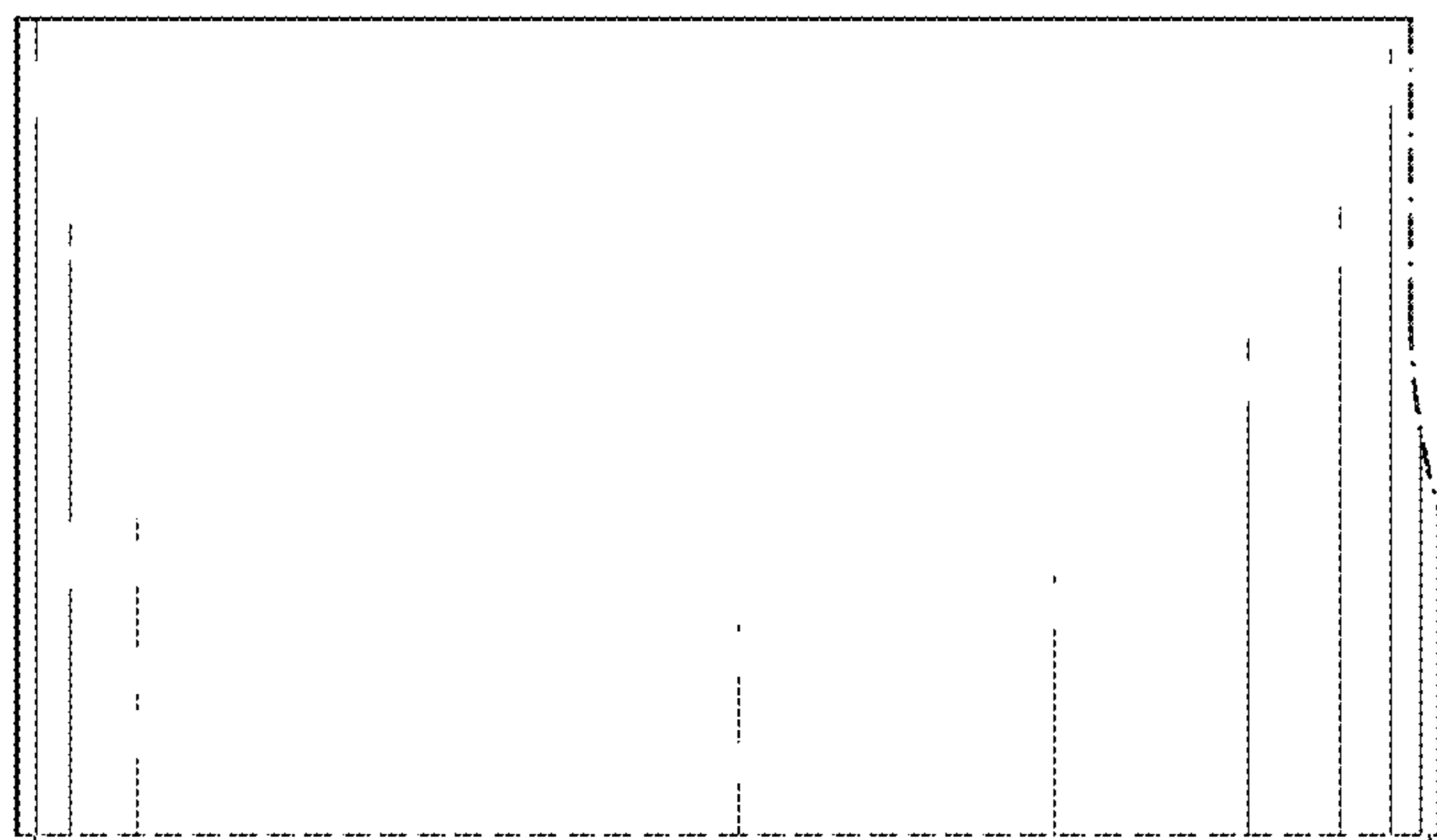


FIG. 8