



US00D795819S

(12) **United States Design Patent**
Okamoto et al.

(10) **Patent No.:** **US D795,819 S**

(45) **Date of Patent:** **** Aug. 29, 2017**

(54) **OPTICAL FIBER ARRAY**

(71) Applicant: **ADAMANT CO., LTD.**, Tokyo (JP)

(72) Inventors: **Tsutomu Okamoto**, Kawaguchi (JP);
Yuki Ueno, Tokyo (JP); **Yoshihiro Iijima**, Tokyo (JP)

(73) Assignee: **ADAMANT CO., LTD.**, Tokyo (JP)

(**) Term: **15 Years**

(21) Appl. No.: **29/563,241**

(22) Filed: **May 3, 2016**

(30) **Foreign Application Priority Data**

Nov. 17, 2015 (JP) 2015-025676

(51) **LOC (10) Cl.** **13-03**

(52) **U.S. Cl.**
USPC **D13/154**

(58) **Field of Classification Search**
USPC D13/133, 146, 147, 149, 154, 155, 156,
D13/184, 199; D14/433, 434, 435, 435.1,
D14/436, 438

CPC ... G02B 6/24; G02B 6/32; G02B 6/36; G02B
6/38; G02B 6/42; G02B 6/44; G02B 6/46
See application file for complete search history.

(56) **References Cited**

U.S. PATENT DOCUMENTS

D195,722 S * 7/1963 Forney, Jr. et al. 174/71 R
D332,253 S * 1/1993 Bossard D13/156
5,736,672 A * 4/1998 Huang H01F 17/06
174/377
7,158,712 B2* 1/2007 Chou G02B 6/2821
385/136

D577,672 S * 9/2008 Yao D13/133
D640,639 S * 6/2011 Gravalin D13/133
8,398,314 B2* 3/2013 Ko G02B 6/3817
385/53
D704,668 S * 5/2014 Millevik D13/155
2002/0025104 A1* 2/2002 Steinberg G02B 6/3508
385/16
2012/0014650 A1* 1/2012 Duis G02B 6/3839
385/65
2015/0234126 A1* 8/2015 Haase G02B 6/389
385/59

* cited by examiner

Primary Examiner — Daniel Bui

(74) *Attorney, Agent, or Firm* — Oliff PLC

(57) **CLAIM**

The ornamental design for an optical fiber array, as shown and described.

DESCRIPTION

FIG. 1 is a front view of an optical fiber array showing our new design, the rear view being a mirror image thereto; FIG. 2 is a right side view thereof; FIG. 3 is a left side view thereof; FIG. 4 is a top plan view thereof; FIG. 5 is a bottom view thereof; FIG. 6 is a sectional view taken along lines 6-6 in FIG. 5; FIG. 7 is a partially enlarged view of a portion surrounded by lines 7-7 in FIG. 5; FIG. 8 is a perspective view thereof; and, FIG. 9 is a perspective view showing the optical fiber array of FIG. 1 in a state of Use.

The broken lines depict environmental subject matter only and form no part of the claimed design.

1 Claim, 9 Drawing Sheets

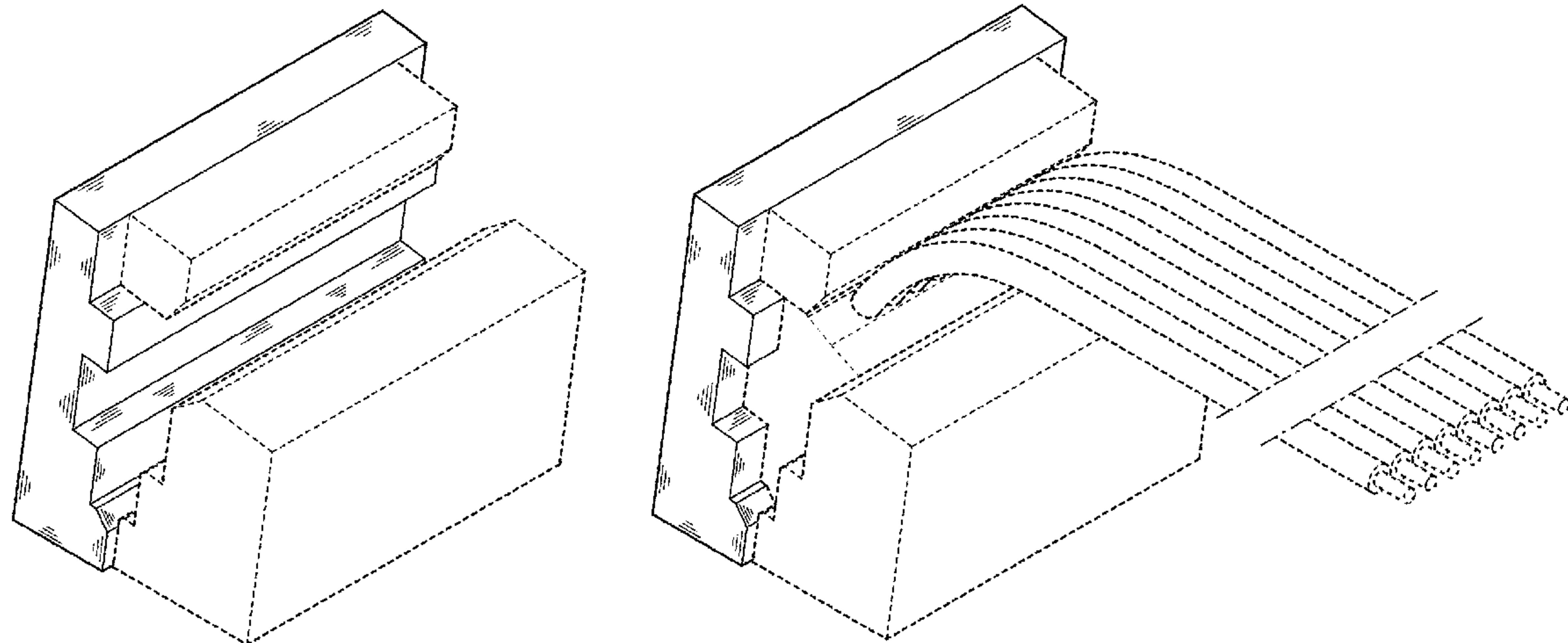


Fig. 1

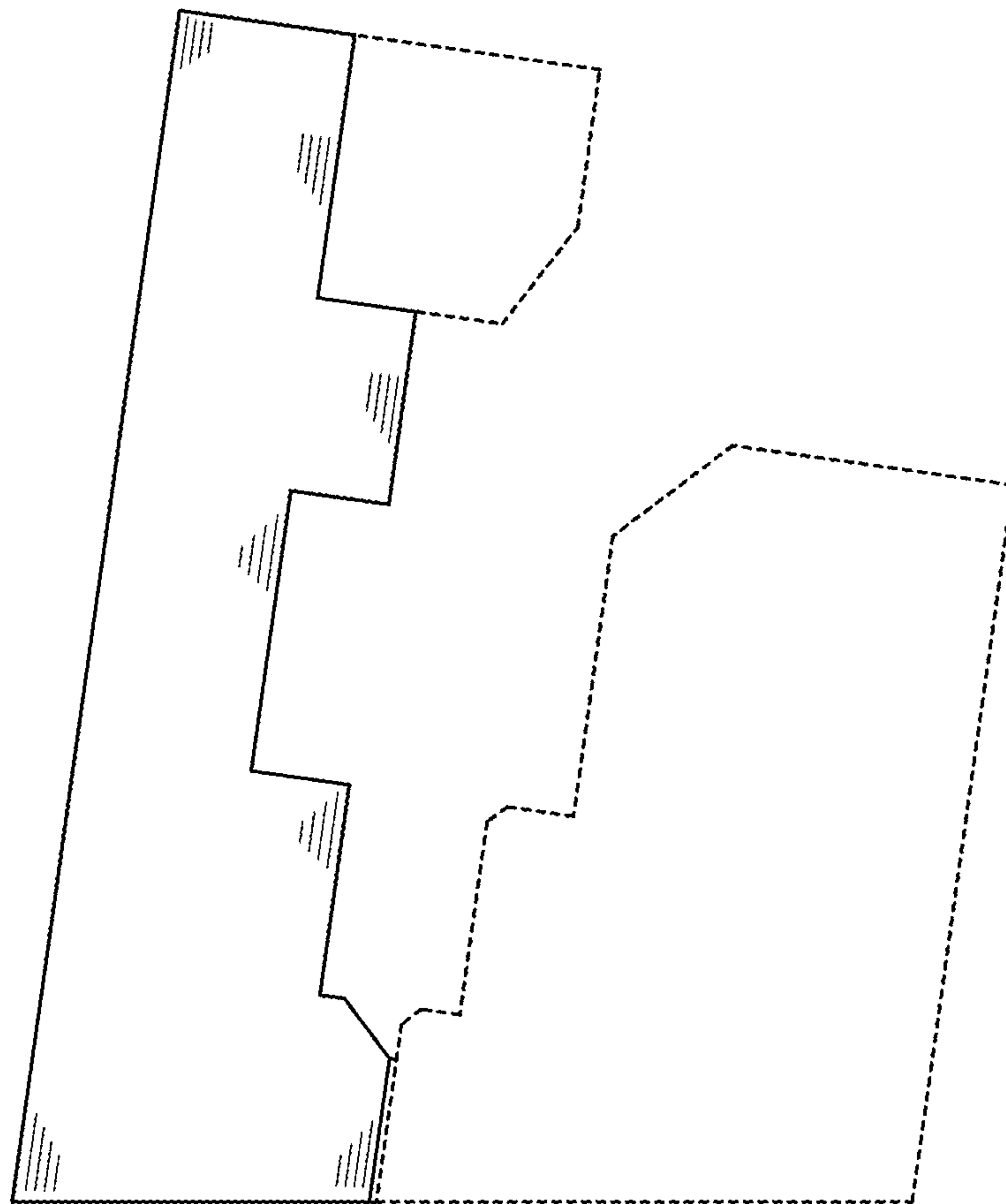


Fig.2

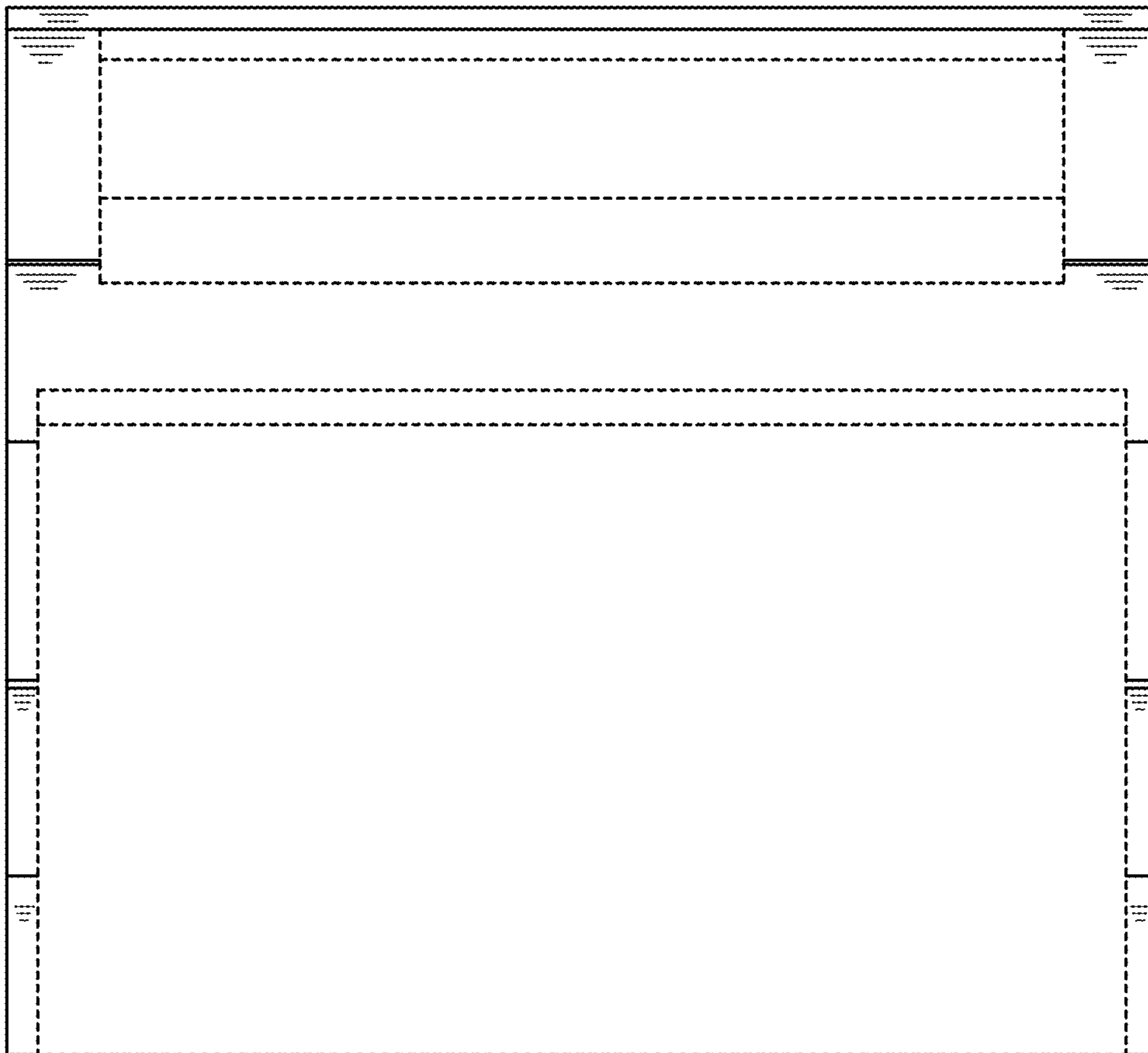


Fig.3

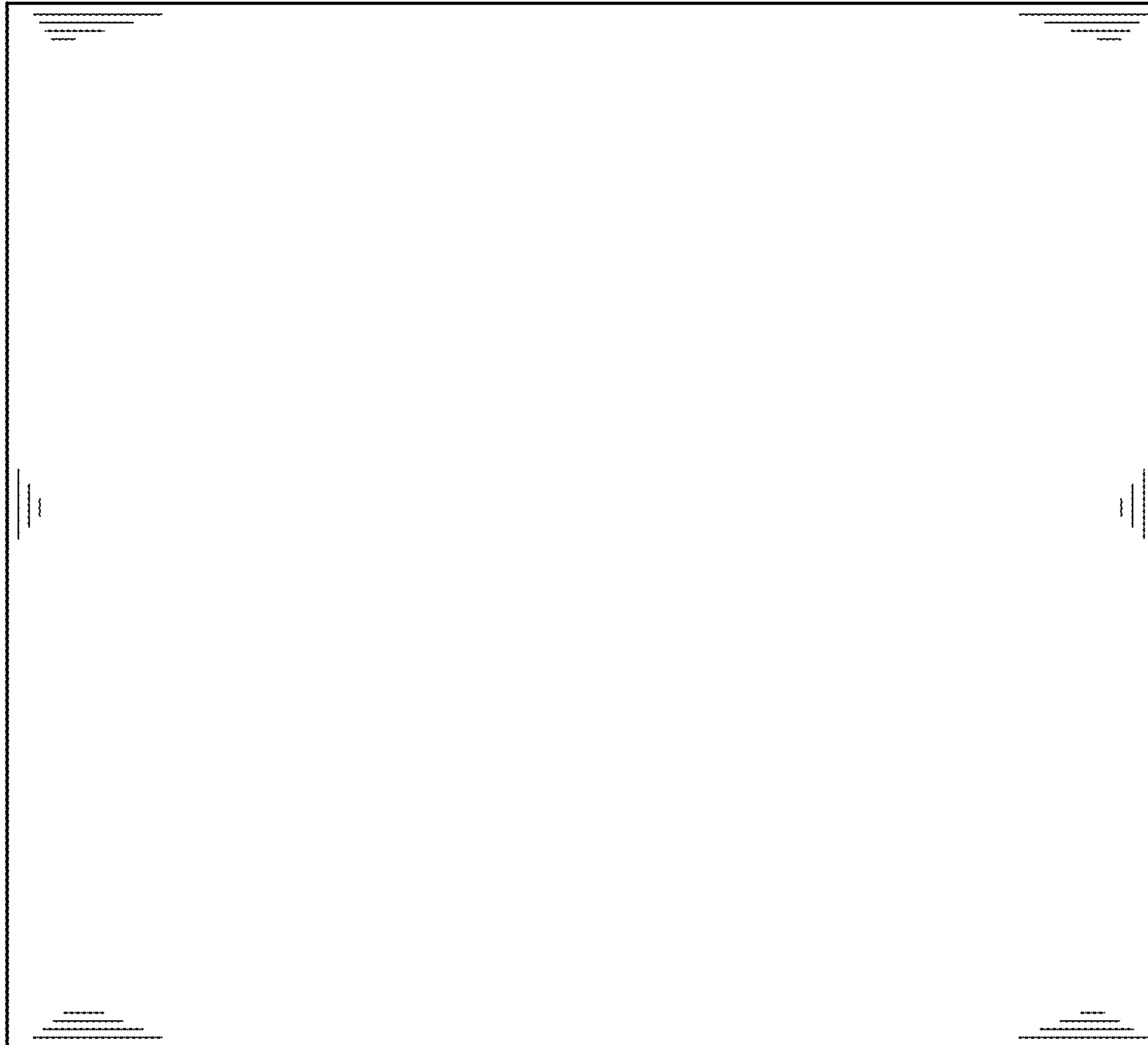


Fig.4

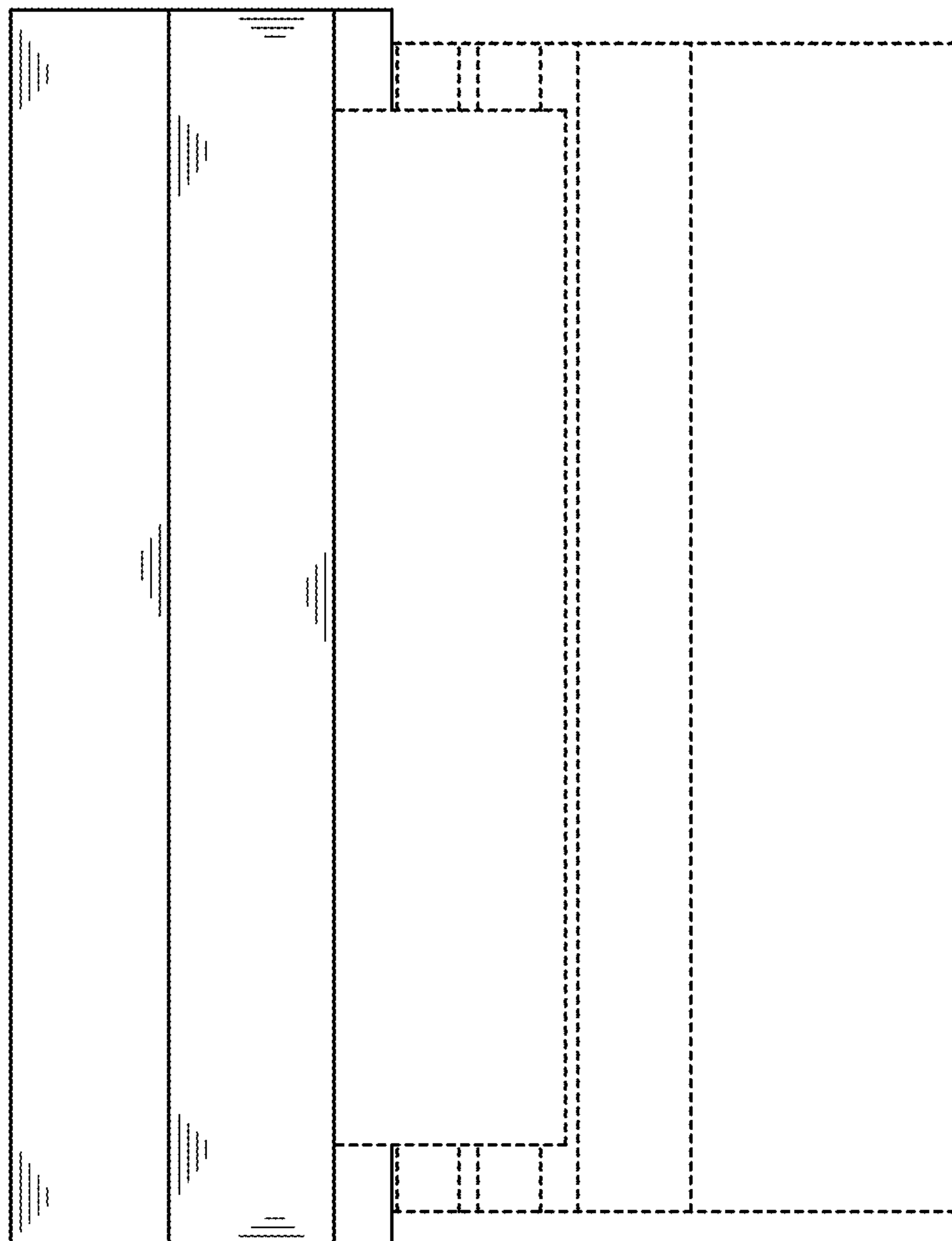


Fig.5

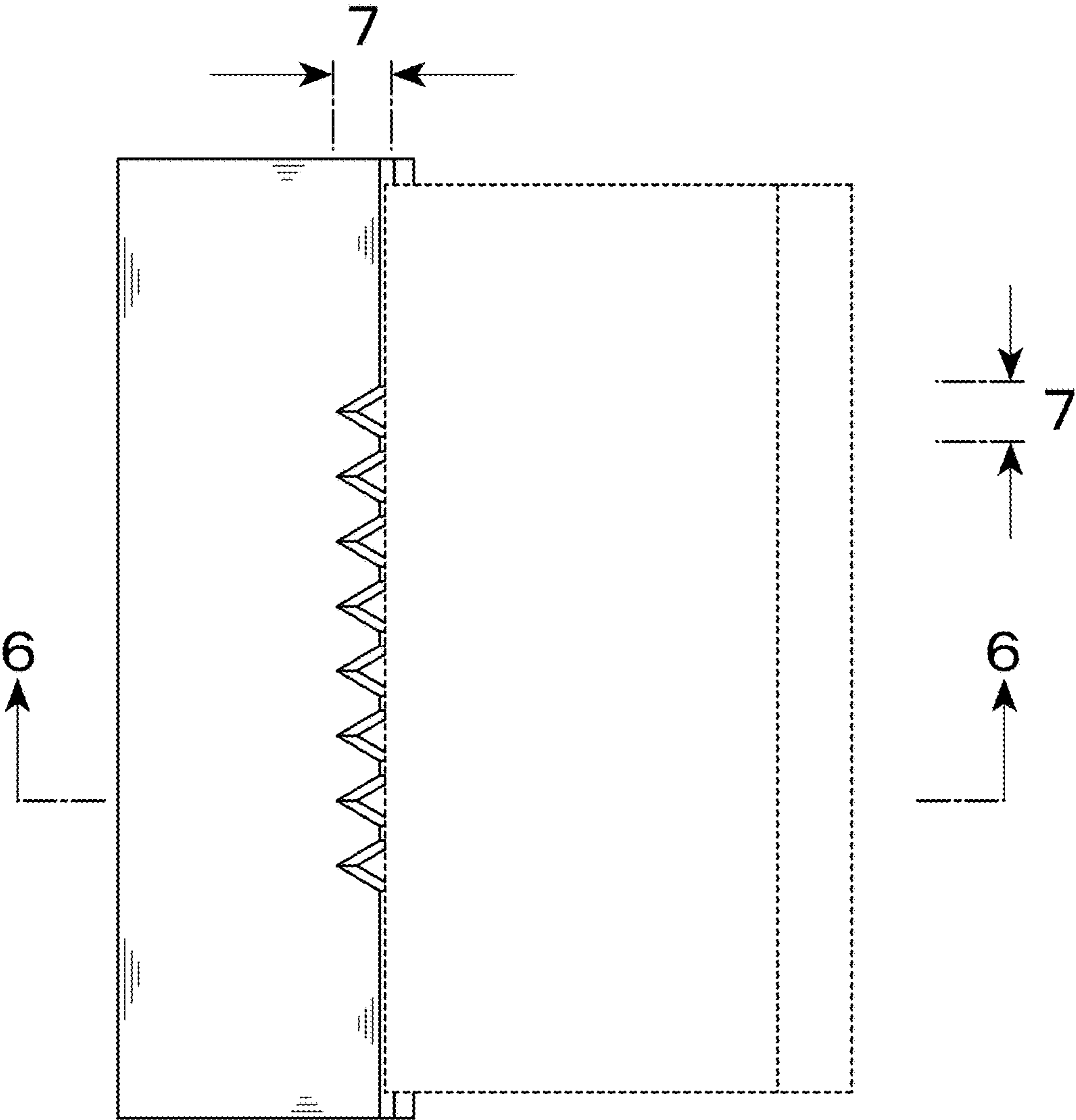


Fig.6

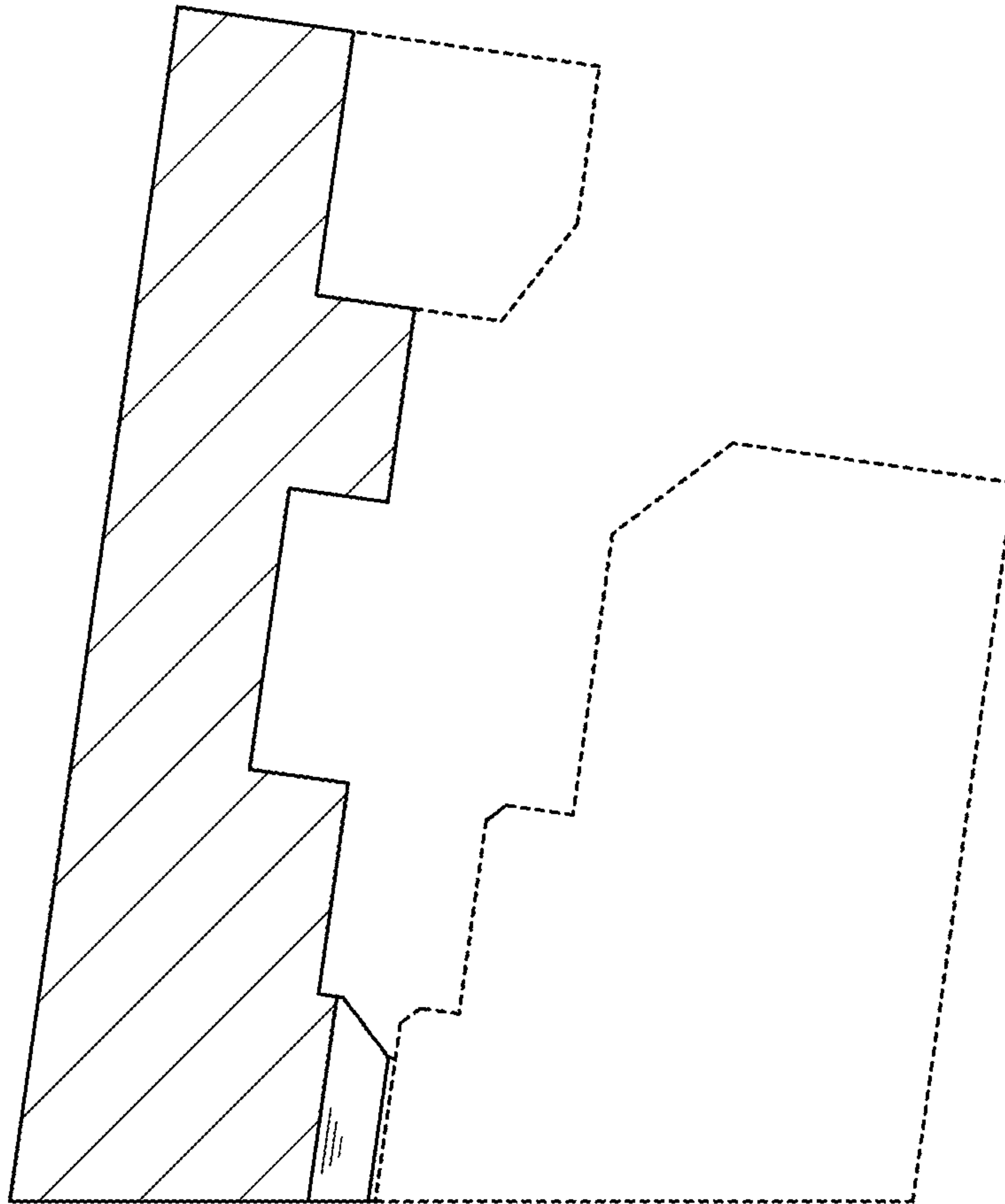


Fig.7

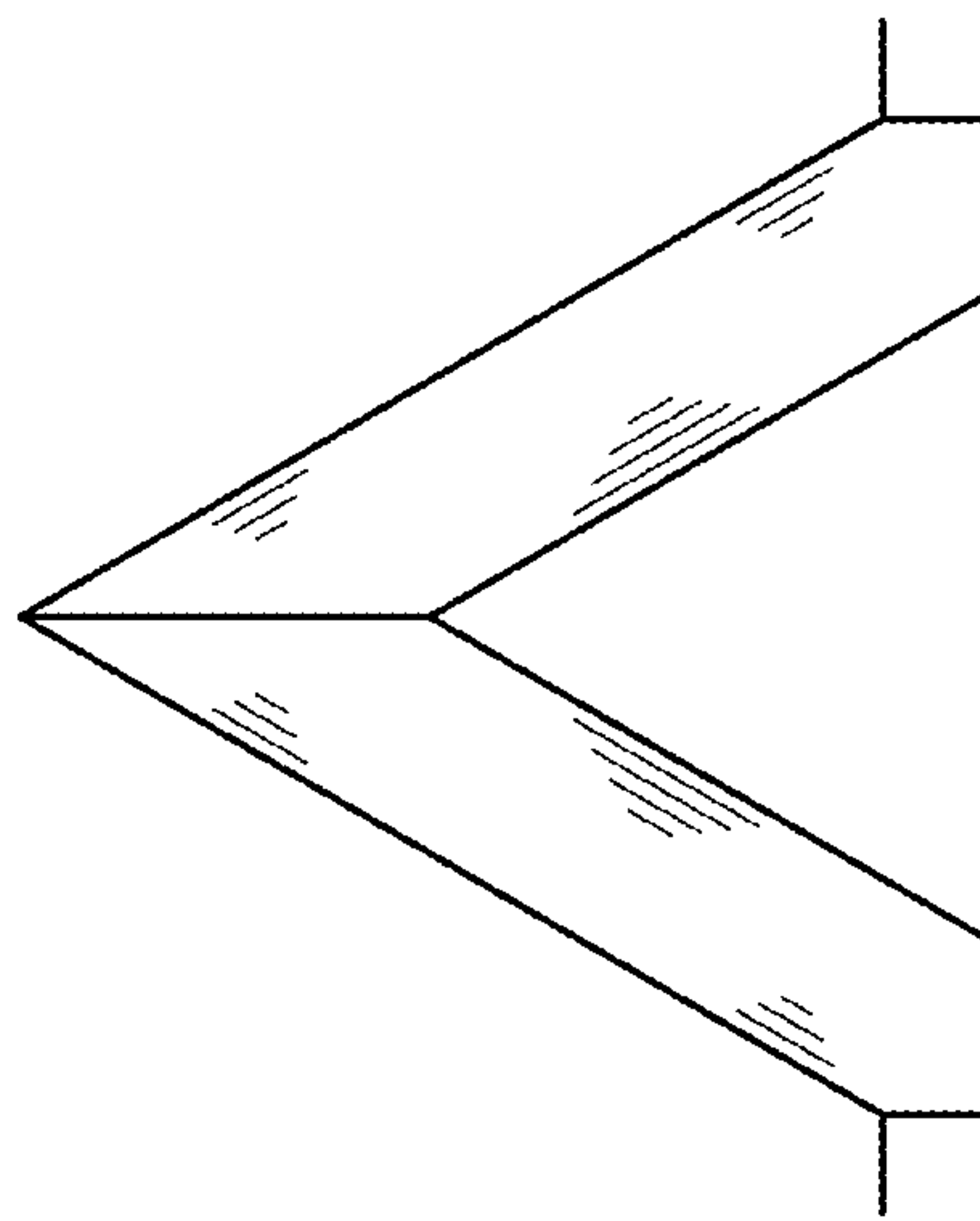


Fig.8

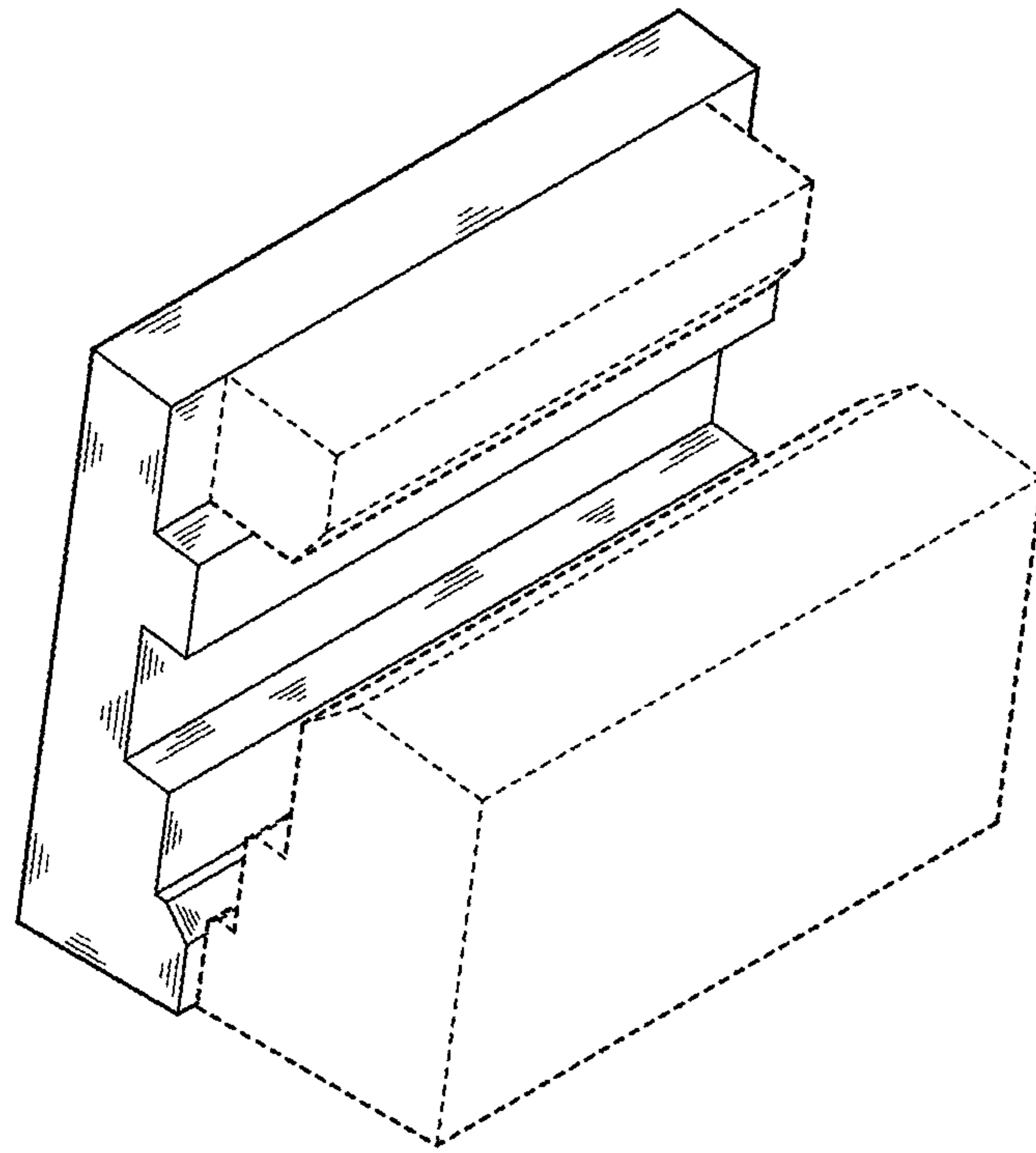


Fig.9

