



US00D795818S

(12) **United States Design Patent**
Kamo et al.

(10) **Patent No.:** **US D795,818 S**

(45) **Date of Patent:** **** Aug. 29, 2017**

(54) **TERMINAL BLOCK**

(71) Applicant: **OMRON Corporation**, Kyoto (JP)

(72) Inventors: **Ryunosuke Kamo**, Yamaga (JP);
Keisuke Yano, Kikuchi (JP); **Kenichiro Masaki**, Kumamoto (JP); **Tomokazu Ikeda**, Yamaga (JP)

(73) Assignee: **OMRON CORPORATION**, Kyoto (JP)

(**) Term: **15 Years**

(21) Appl. No.: **29/539,729**

(22) Filed: **Sep. 17, 2015**

(30) **Foreign Application Priority Data**

Mar. 20, 2015 (JP) 2015-005983

(51) **LOC (10) Cl.** **13-03**

(52) **U.S. Cl.**
USPC **D13/154**

(58) **Field of Classification Search**
USPC D13/133, 147, 154, 158, 160, 184, 199
CPC H01H 50/02; H01H 50/04; H01H 50/36;
H01H 51/06; H01H 51/22; H01H 51/29;
H01H 67/02; H01R 4/4827; H01R
4/4845; H01R 9/2416; H01R 9/48; H01R
13/40; H01R 13/506

See application file for complete search history.

(56) **References Cited**

U.S. PATENT DOCUMENTS

D553,576 S * 10/2007 Nakao D13/159
D750,023 S * 2/2016 Sasano D13/146

D754,604 S * 4/2016 Hofbauer D13/123
D773,398 S * 12/2016 Sasano D13/146
D773,402 S * 12/2016 Sasano D13/146
D777,117 S * 1/2017 Singer D13/160
2017/0077623 A1* 3/2017 Kamo H01R 9/2416

* cited by examiner

Primary Examiner — Daniel Bui

(74) *Attorney, Agent, or Firm* — Sterne, Kessler,
Goldstein & Fox P.L.L.C.

(57) **CLAIM**

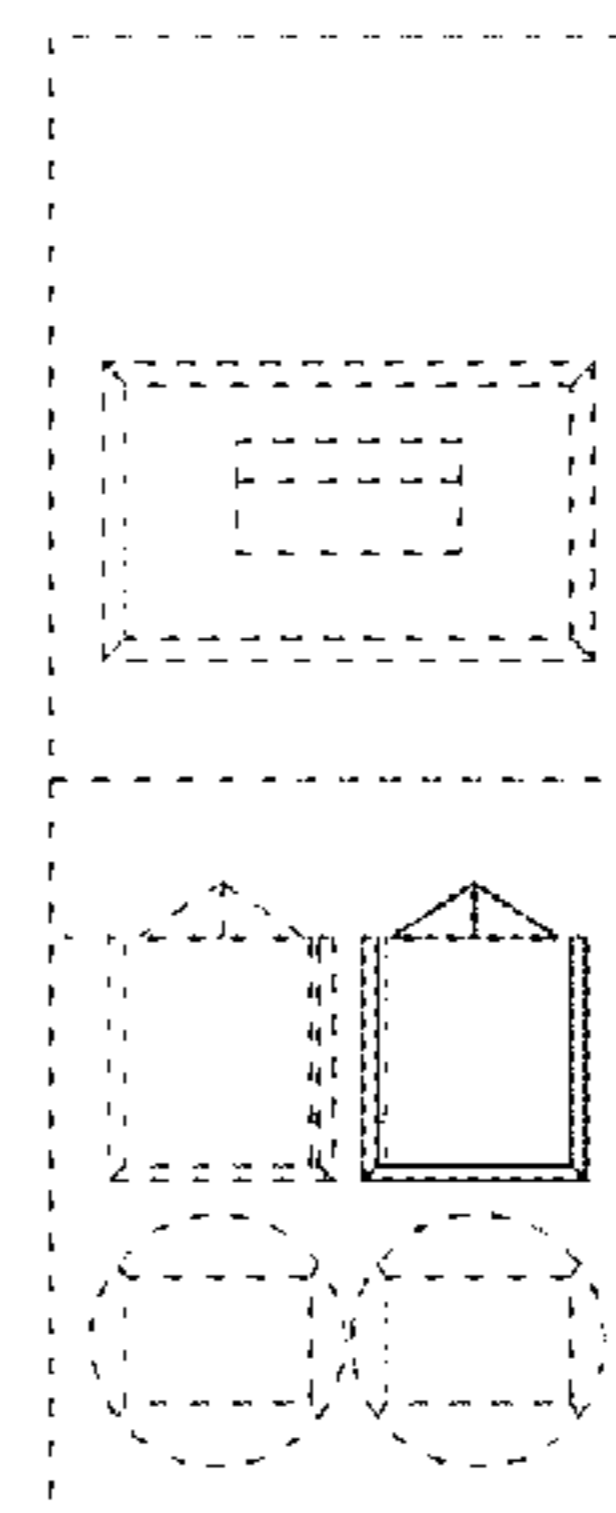
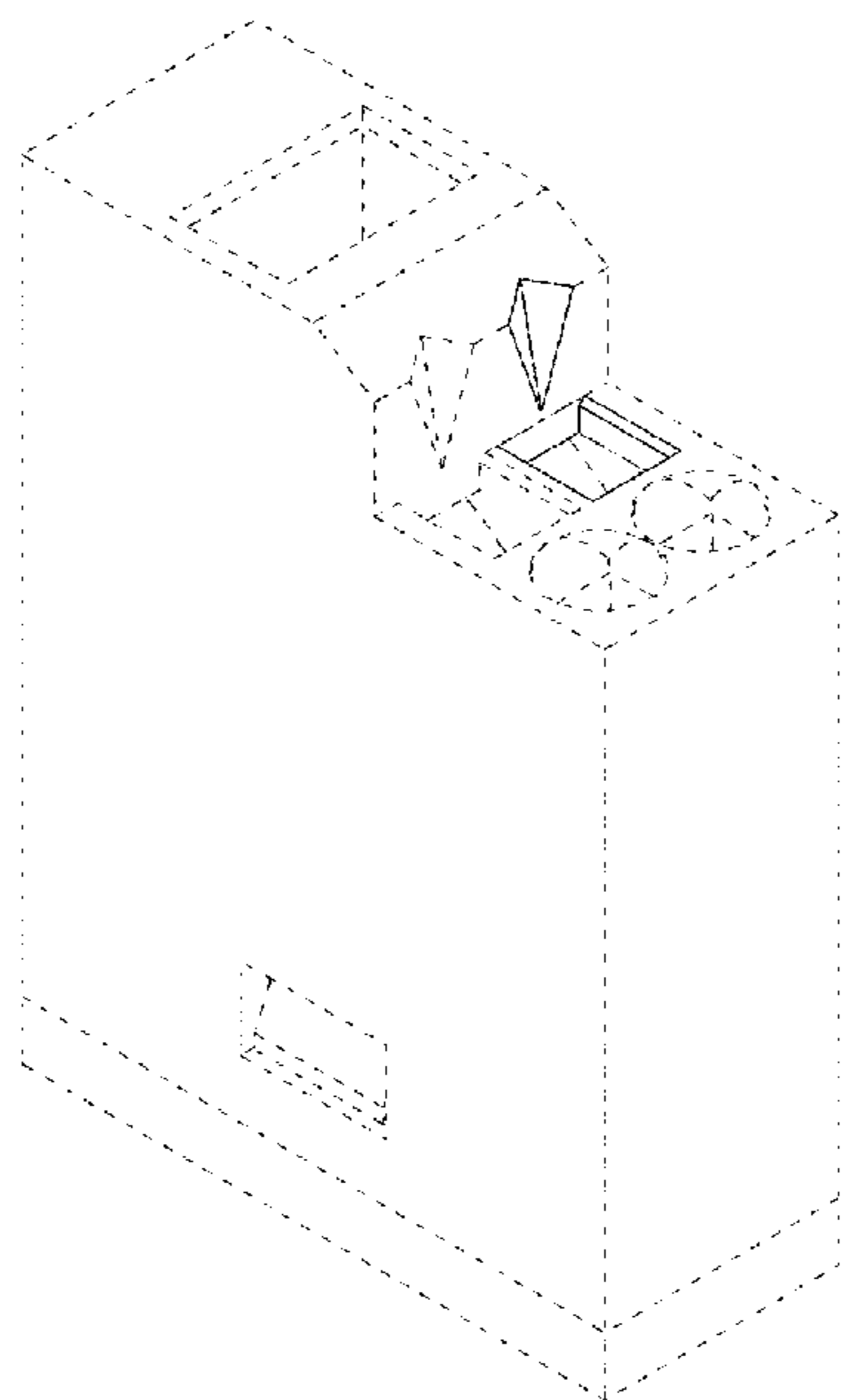
The ornamental design for a terminal block, as shown and described.

DESCRIPTION

FIG. 1 is a perspective view of a terminal block showing our new design;
FIG. 2 is a front elevational view thereof;
FIG. 3 is a rear elevational view thereof;
FIG. 4 is a left side view thereof;
FIG. 5 is a right side view thereof;
FIG. 6 is a top plan view thereof;
FIG. 7 is a bottom plan view thereof; and,
FIG. 8 is a cross-sectional view taken along the line VIII-VIII of FIG. 2.

The dashed broken lines in the figures show portions of the terminal block that form no part of the claimed design. The dot-dash broken lines in the figures show boundaries of the claimed design.

1 Claim, 3 Drawing Sheets



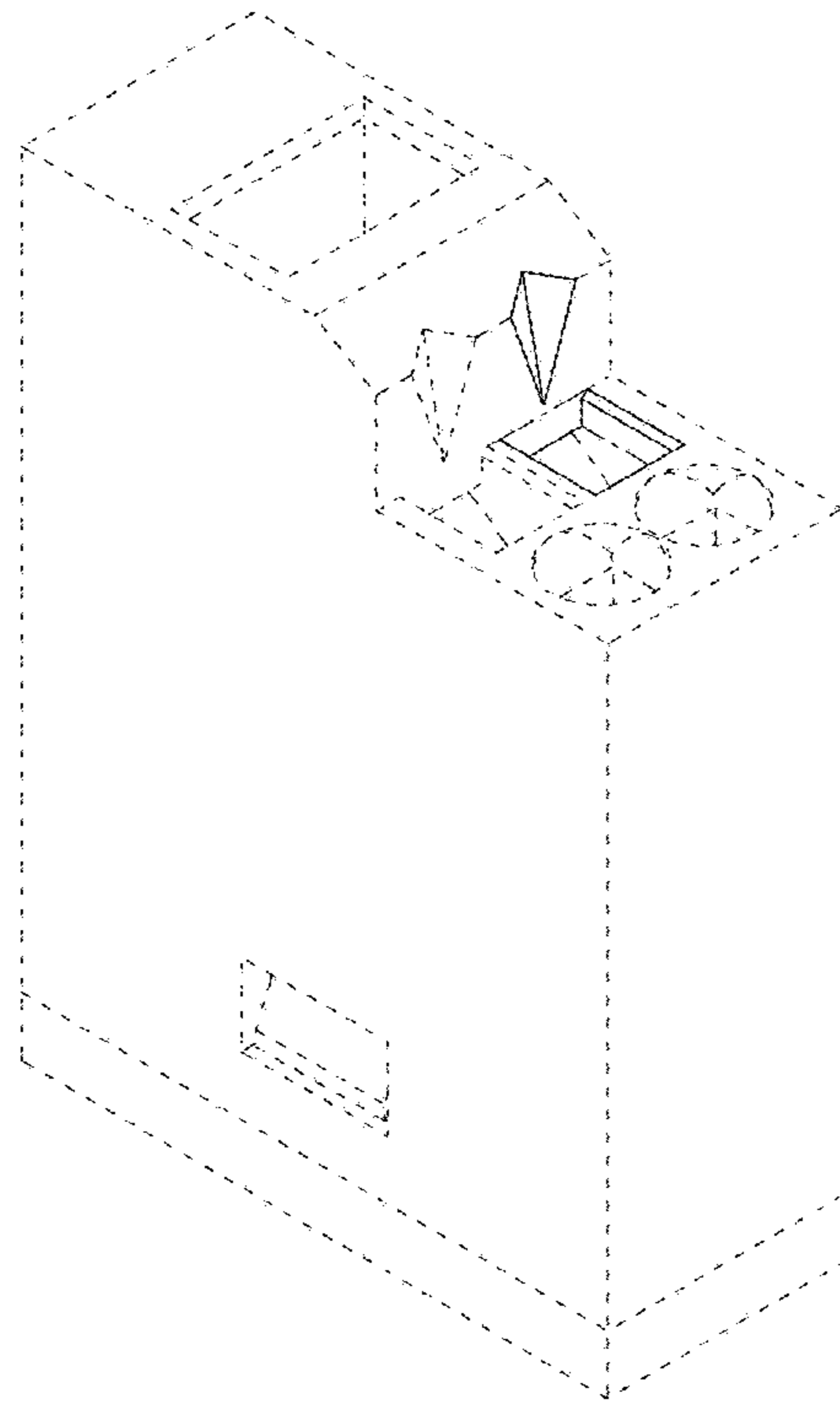


Fig. 1

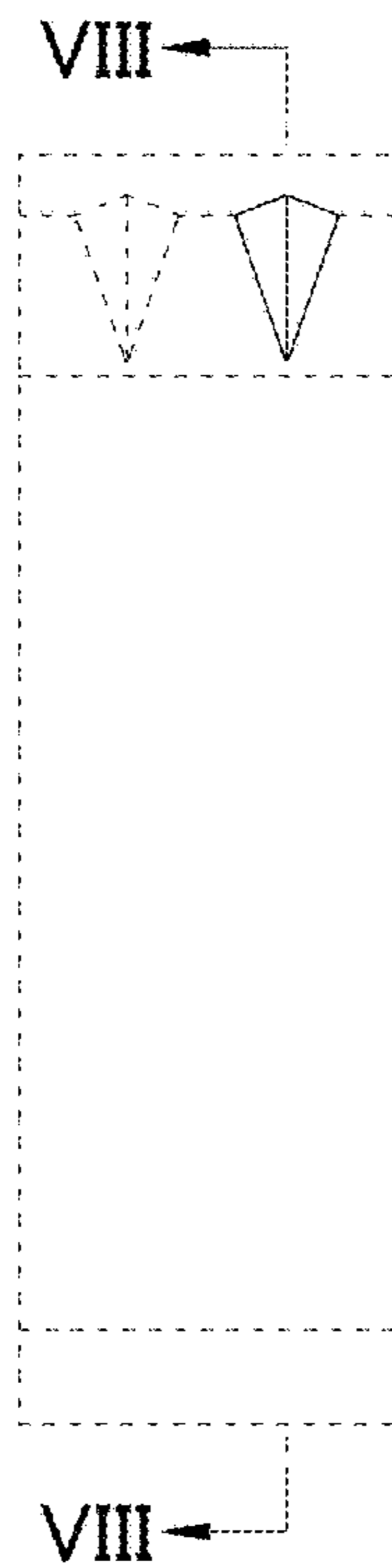


Fig. 2



Fig. 3

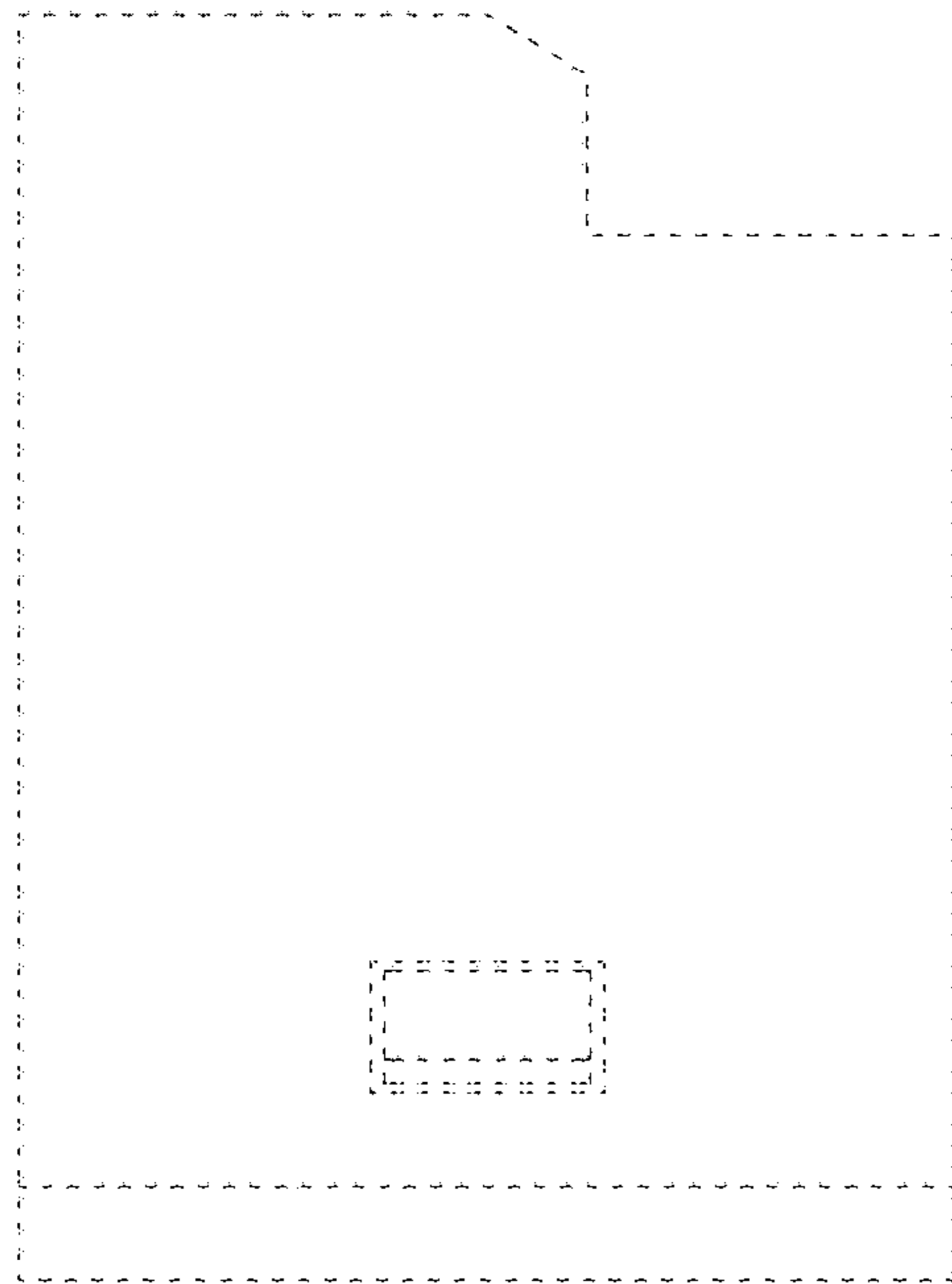


Fig. 4

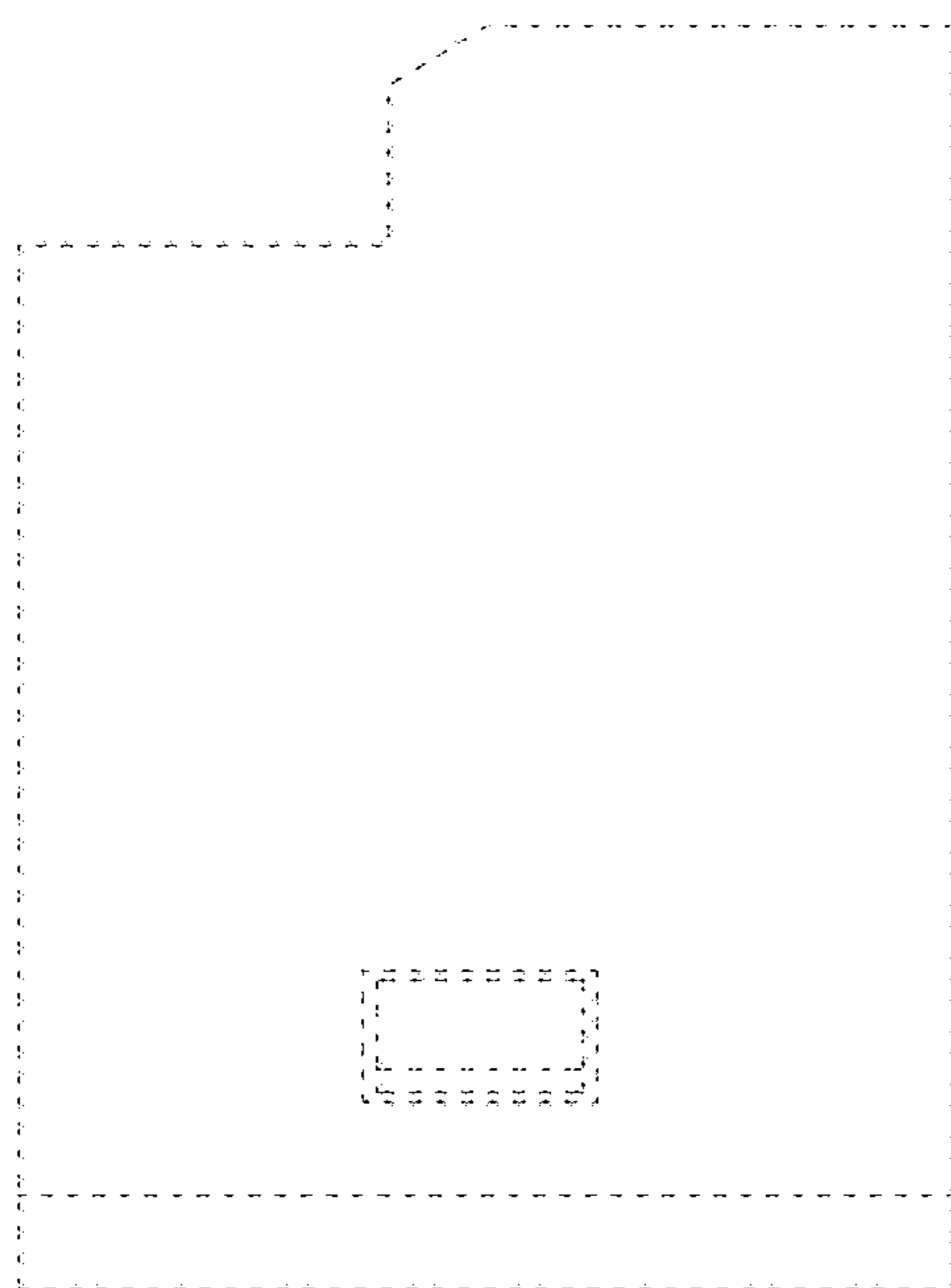


Fig. 5

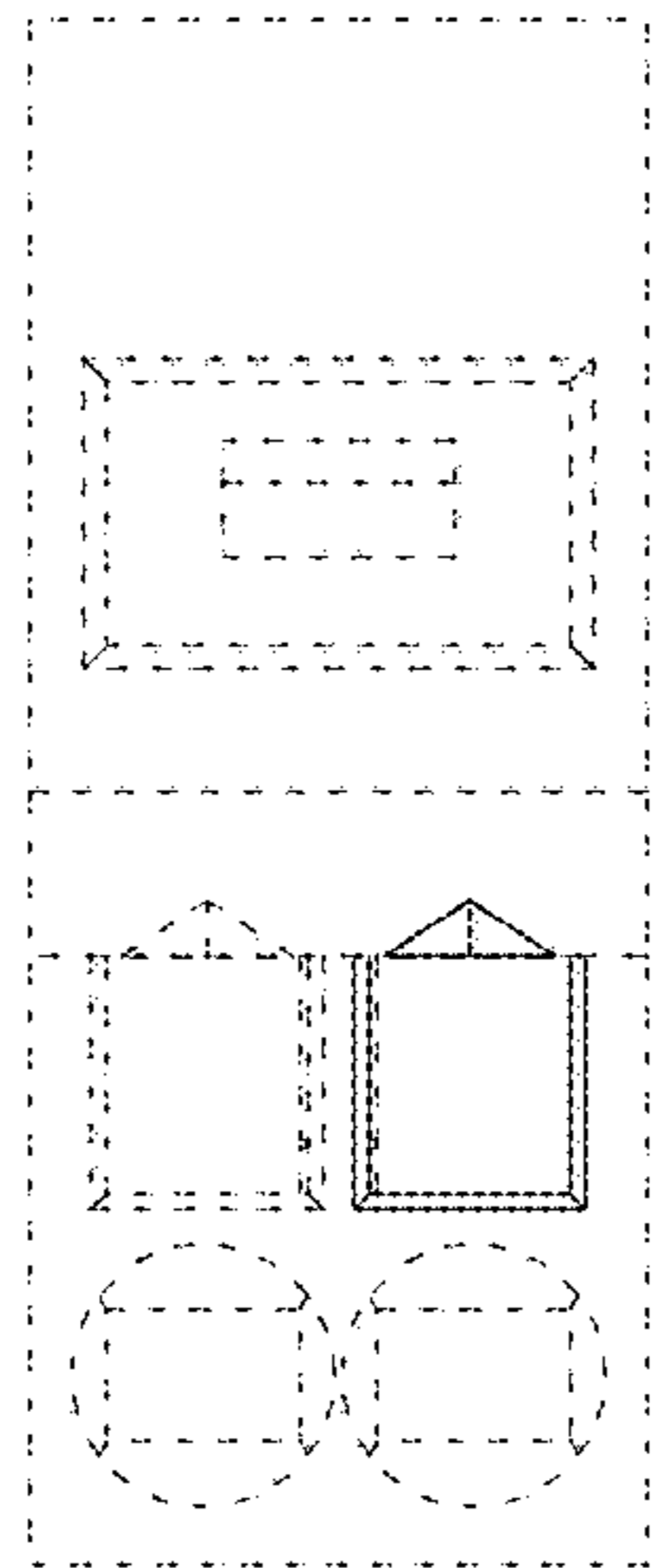


Fig. 6

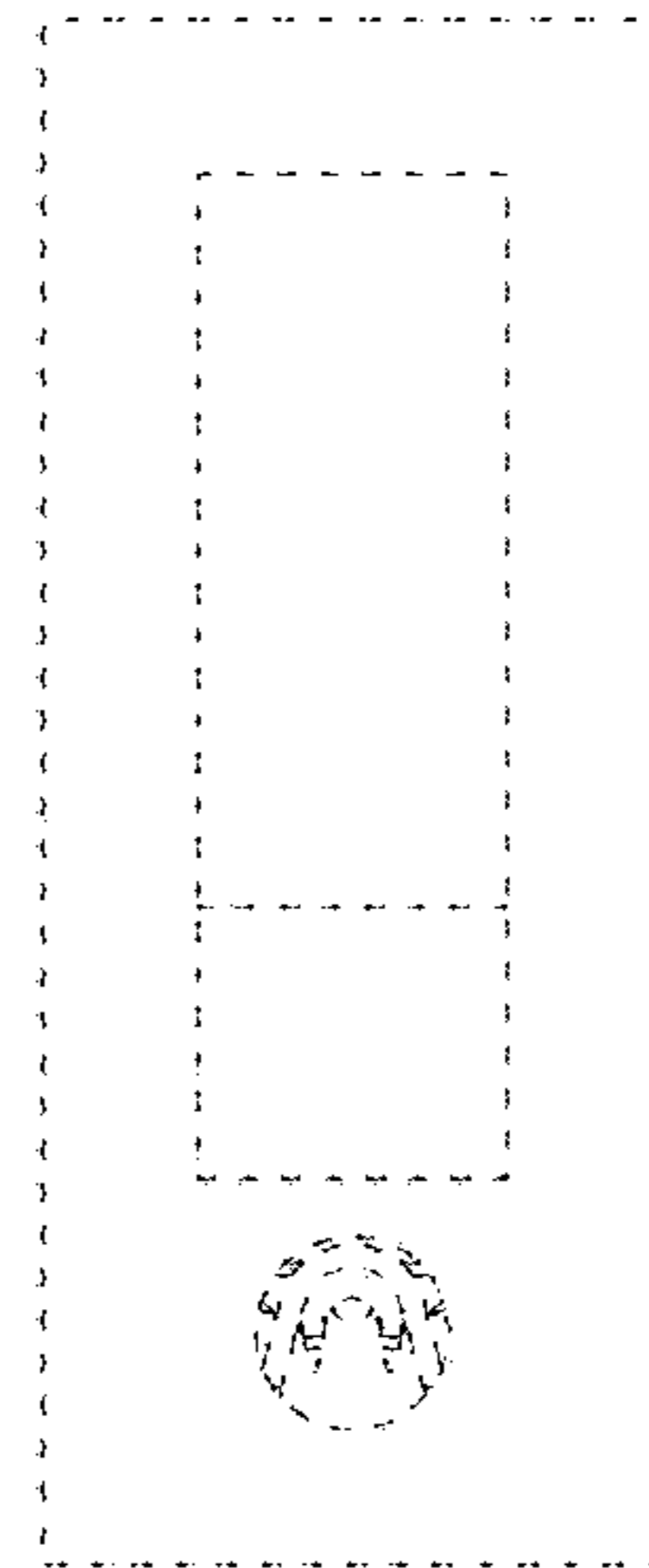


Fig. 7

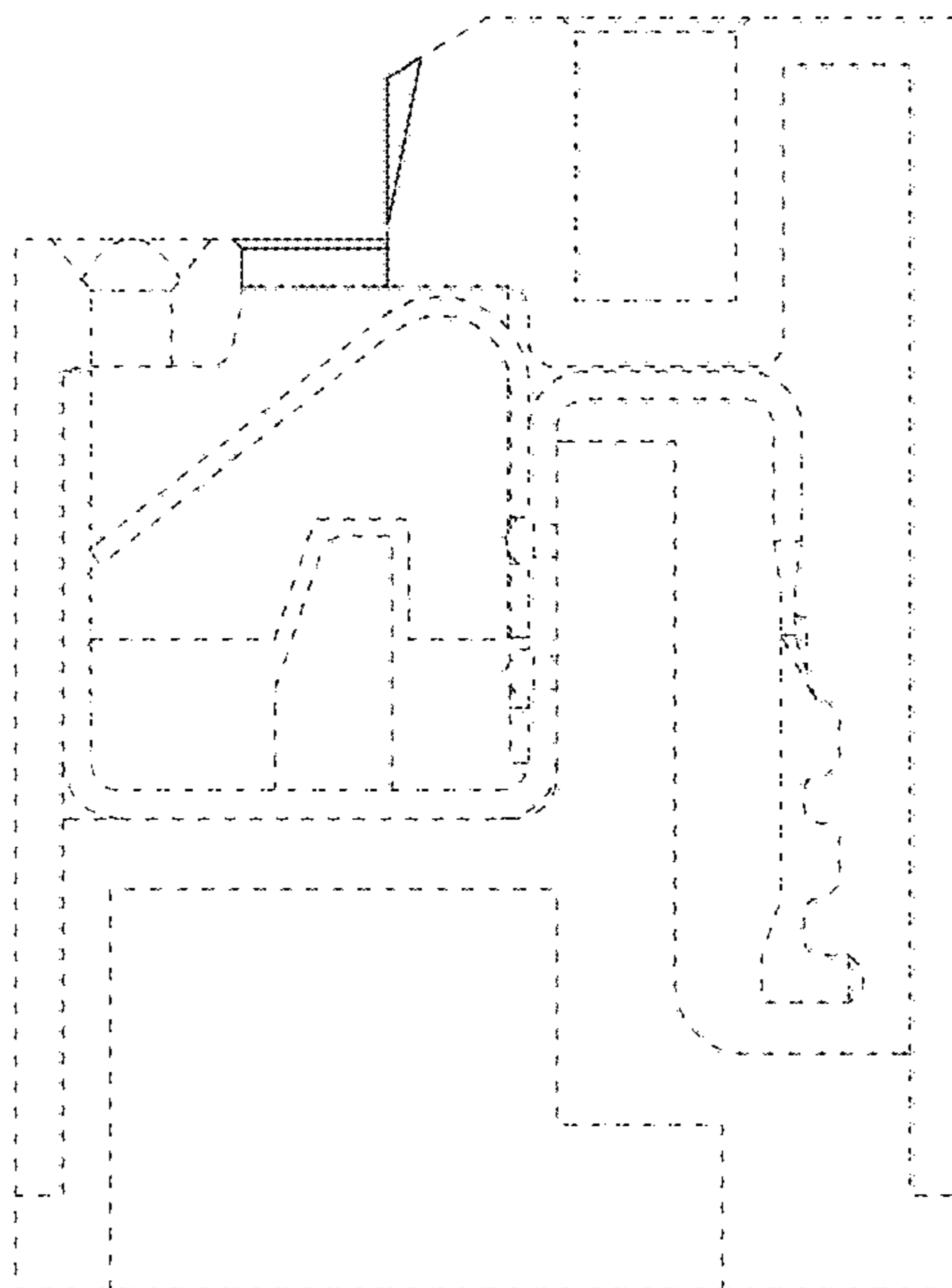


Fig. 8