



US00D795817S

(12) **United States Design Patent**  
**Zheng**

(10) **Patent No.:** **US D795,817 S**

(45) **Date of Patent:** **\*\* Aug. 29, 2017**

(54) **CABLE**

(71) Applicant: **Yongquan Zheng**, Zhangzhou (CN)

(72) Inventor: **Yongquan Zheng**, Zhangzhou (CN)

(\*\*) Term: **15 Years**

(21) Appl. No.: **29/578,312**

(22) Filed: **Sep. 20, 2016**

(51) **LOC (10) Cl.** ..... **13-03**

(52) **U.S. Cl.**  
USPC ..... **D13/153**

(58) **Field of Classification Search**

USPC ..... D13/103, 107, 110, 133, 146, 147, 151,  
D13/153, 154, 155, 144; D14/433, 435.1;  
D8/356; D23/262

CPC .... H01R 13/5845; H01R 13/72; H01R 31/06;  
H01R 24/00; H01R 24/28; H01R 12/00;  
H01B 11/1808; H01B 11/1839; H01B  
11/1008; H01B 7/04; H01B 7/0266;  
H01B 7/08; H01B 7/065; H01B 12/08

See application file for complete search history.

(56) **References Cited**

**U.S. PATENT DOCUMENTS**

D585,433 S \* 1/2009 Baker ..... D14/223  
D626,082 S \* 10/2010 Lin ..... D13/147

D636,337 S \* 4/2011 Smith ..... D13/147  
D694,243 S \* 11/2013 Akana ..... D14/433  
D732,035 S \* 6/2015 Akana ..... D14/433

\* cited by examiner

*Primary Examiner* — Rosemary K Tarcza

*Assistant Examiner* — Christy Nemeth

(74) *Attorney, Agent, or Firm* — Novoclaims Patent  
Services LLC; Mei Lin Wong

(57) **CLAIM**

The ornamental design for a cable, as shown and described.

**DESCRIPTION**

FIG. 1 is a front perspective view of a cable showing my new design.

FIG. 2 is a rear perspective view thereof.

FIG. 3 is a front view thereof.

FIG. 4 is a rear view thereof.

FIG. 5 is a left end view thereof.

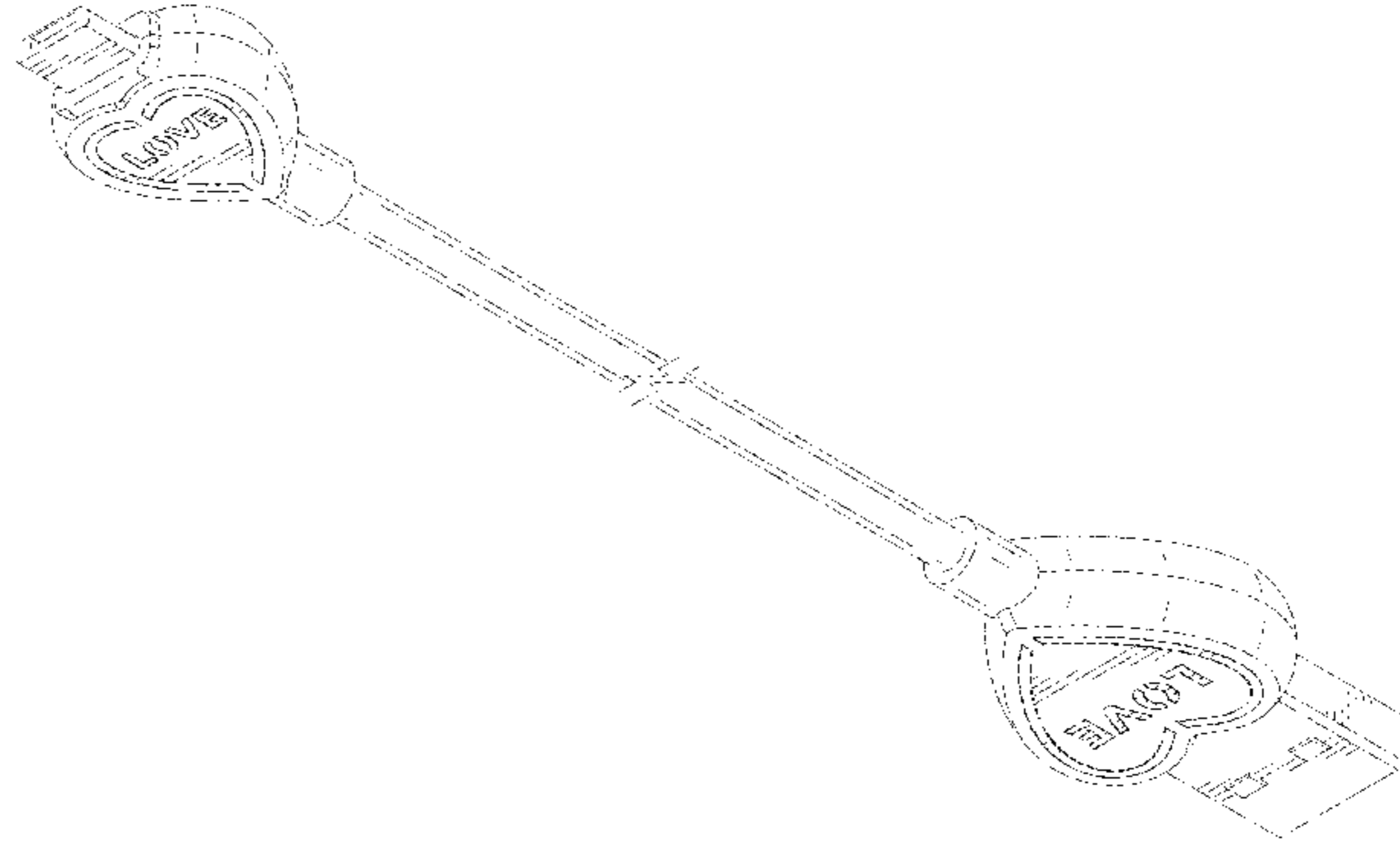
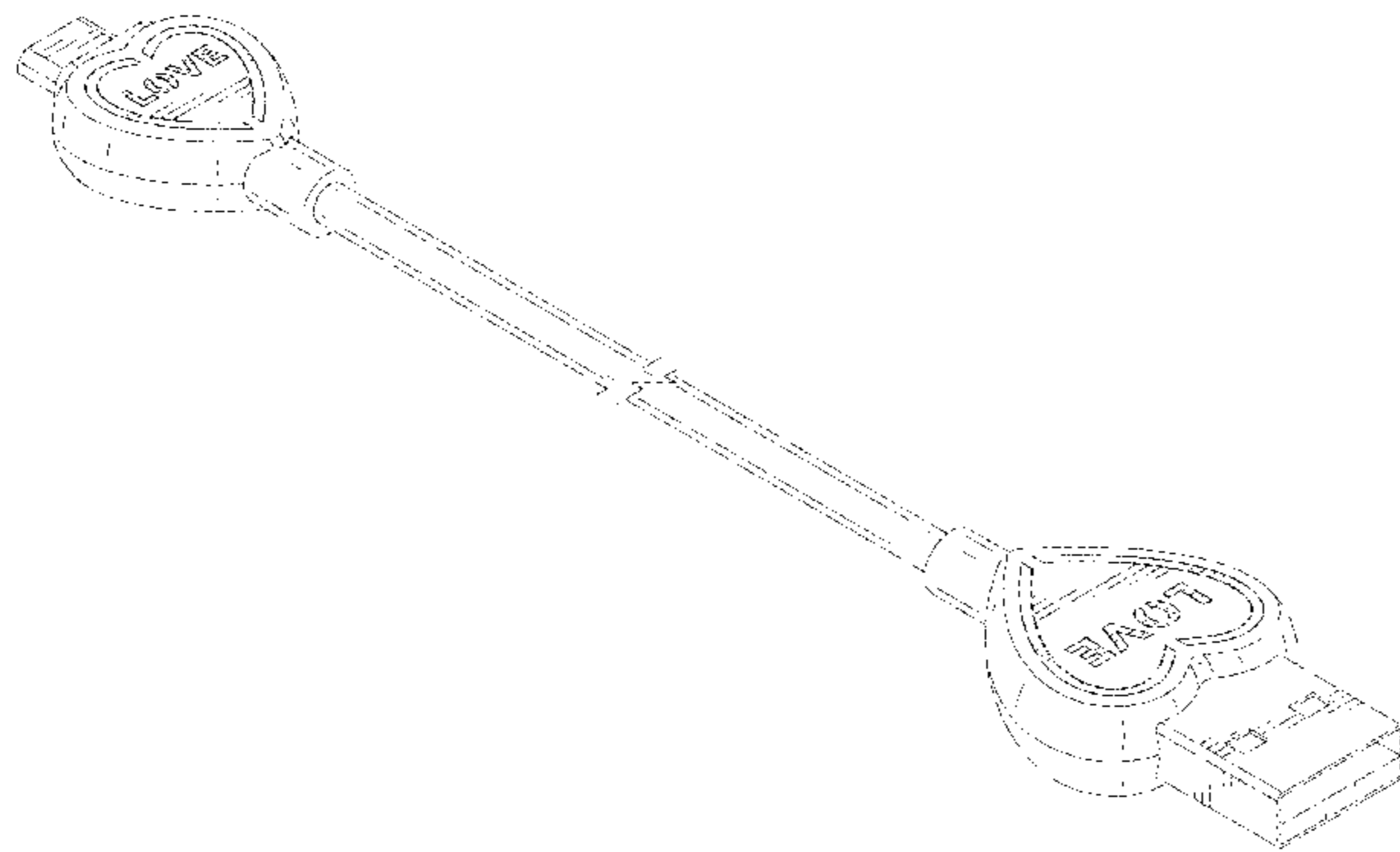
FIG. 6 is a right end view thereof.

FIG. 7 is a top view thereof; and,

FIG. 8 is a bottom view thereof.

The cable is shown with a symbolic break in its length. The appearance of any portion of the article between the break lines forms no part of the claimed design.

**1 Claim, 8 Drawing Sheets**



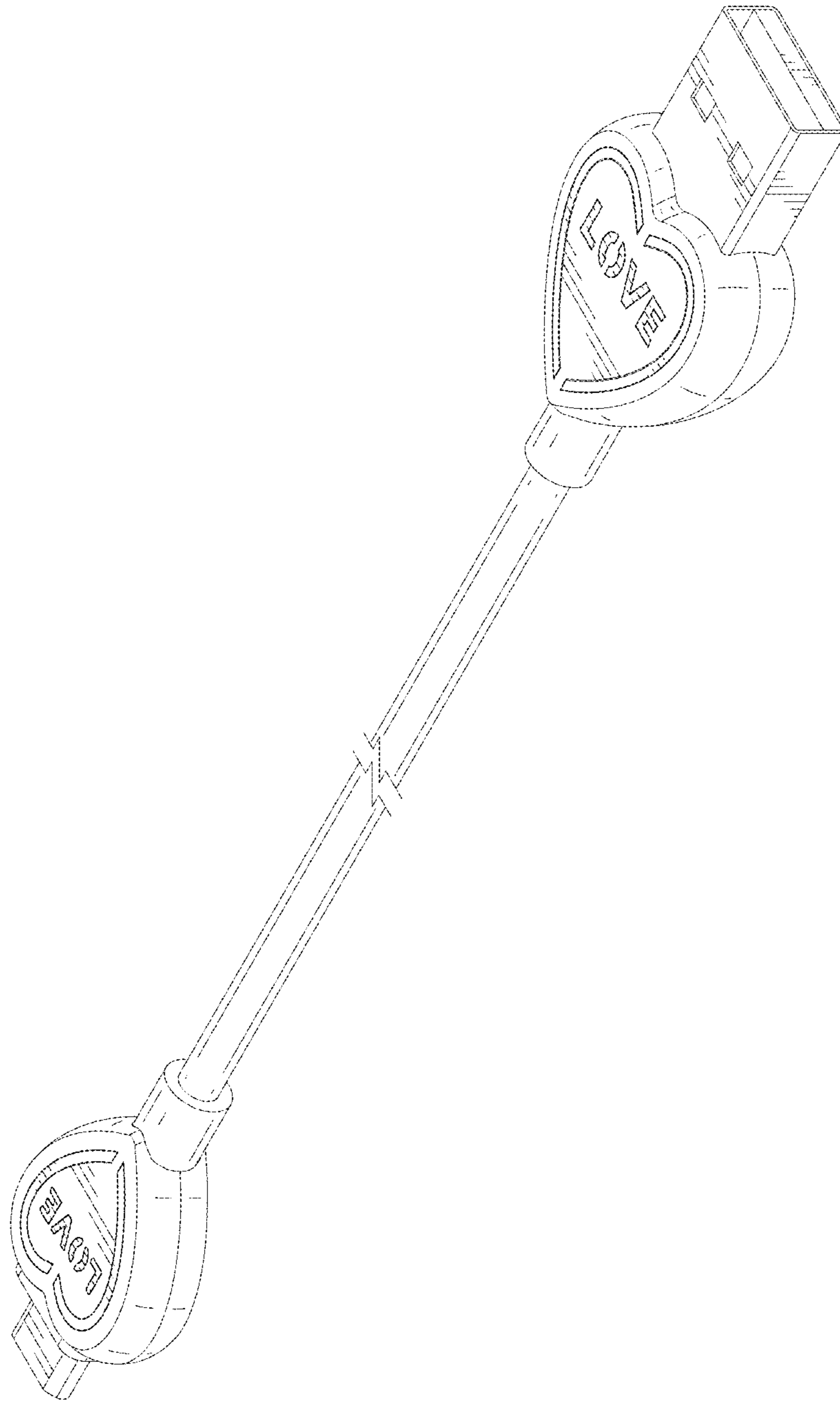


FIG.1

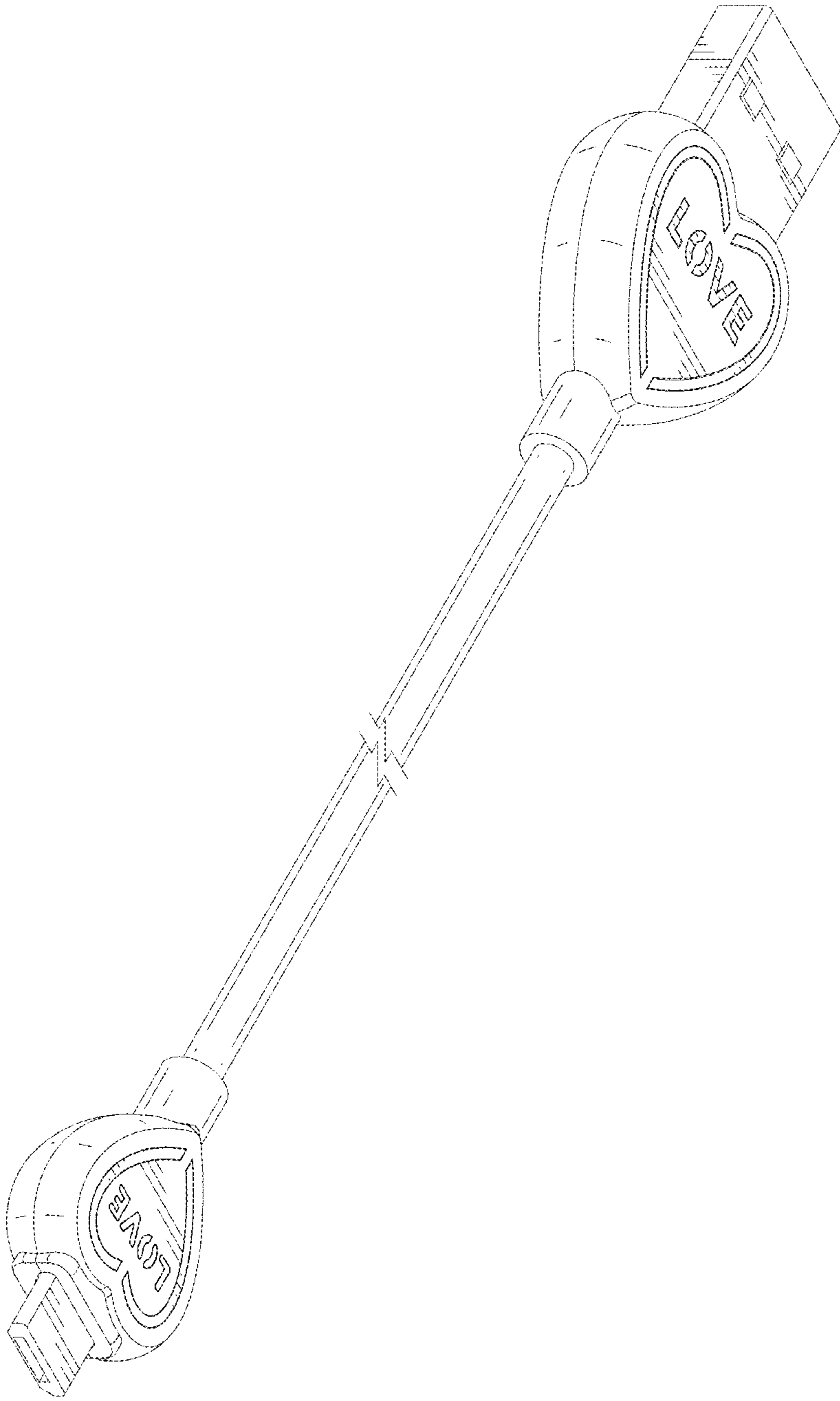


FIG.2

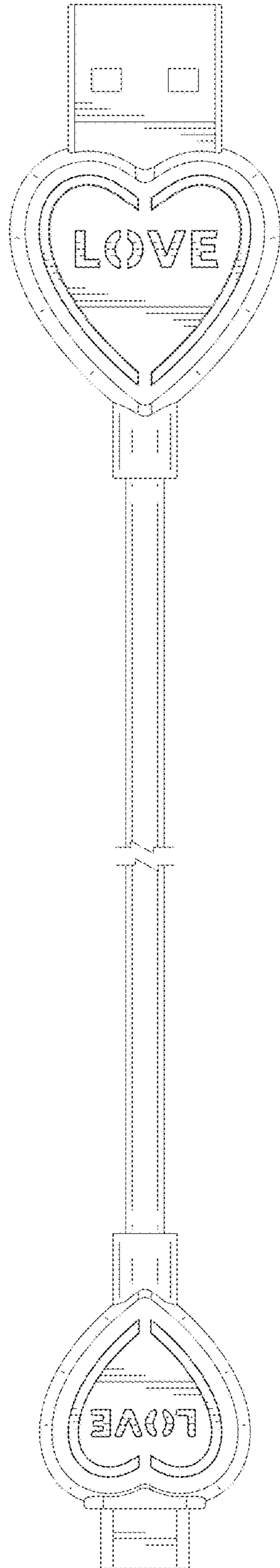


FIG.3

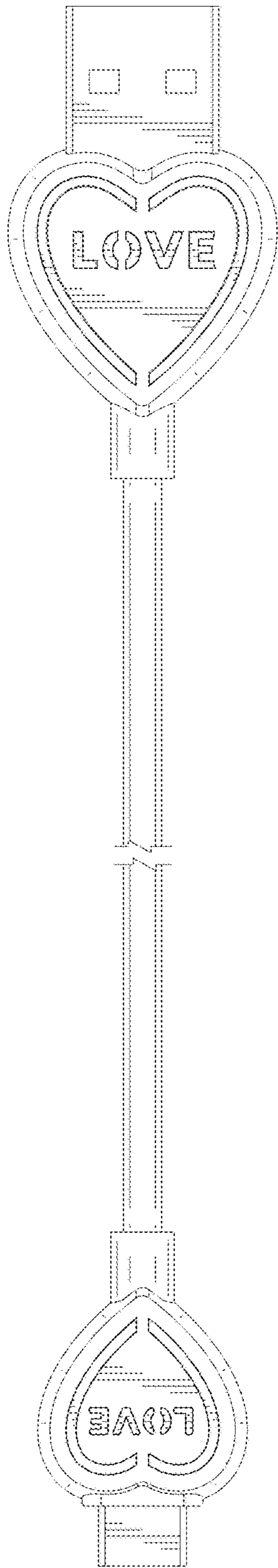


FIG.4

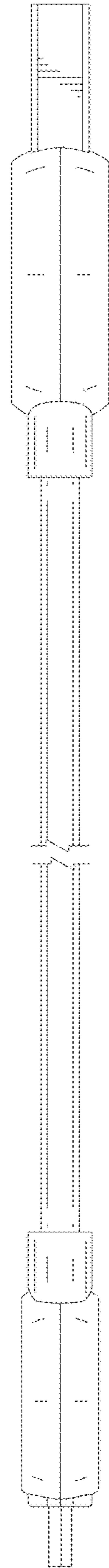


FIG.5

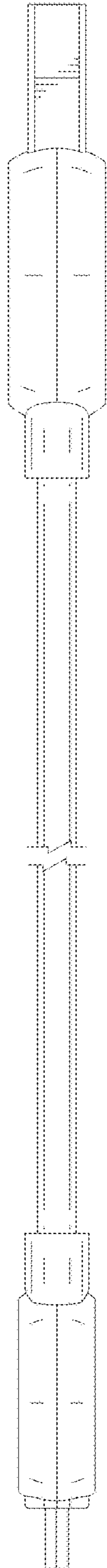


FIG.6

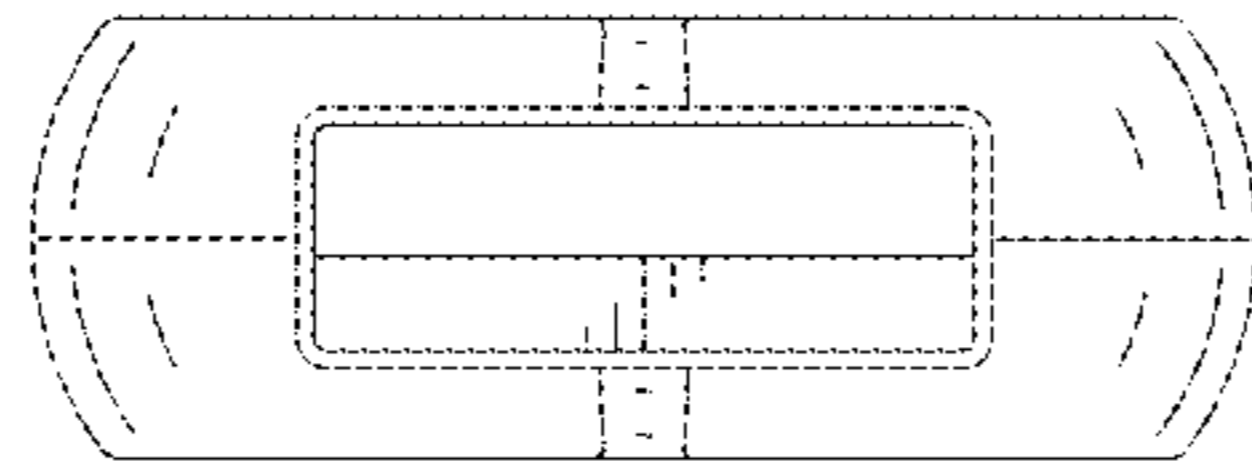


FIG. 7



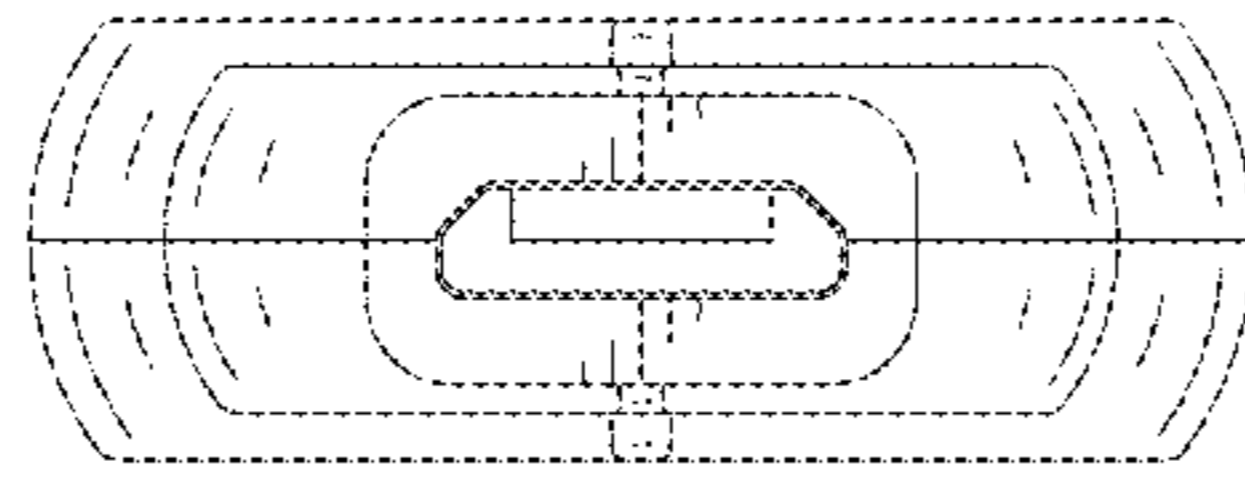


FIG.8