



US00D795816S

(12) **United States Design Patent**  
**He et al.**

(10) **Patent No.:** **US D795,816 S**

(45) **Date of Patent:** **\*\* Aug. 29, 2017**

(54) **USB CONNECTION CABLE**

**DESCRIPTION**

(71) Applicant: **DONGGUAN CITY JIANGHAN CO., LTD**, Guangdong Province (CN)

(72) Inventors: **Tiejun He**, Guangdong Province (CN);  
**Depin Zheng**, Guangdong Province (CN)

(\*\*) Term: **15 Years**

(21) Appl. No.: **29/562,249**

(22) Filed: **Apr. 25, 2016**

(30) **Foreign Application Priority Data**

Oct. 28, 2015 (CN) ..... 2015 3 0420662

(51) **LOC (10) Cl.** ..... **13-03**

(52) **U.S. Cl.**  
USPC ..... **D13/153**

(58) **Field of Classification Search**  
USPC ..... D13/153, 152, 154, 147, 133, 110, 151;  
D14/433

(Continued)

(56) **References Cited**

**U.S. PATENT DOCUMENTS**

D416,869 S \* 11/1999 Tsai ..... D13/153  
D450,041 S \* 11/2001 Nakashima ..... D13/153

(Continued)

*Primary Examiner* — Rhea Shields

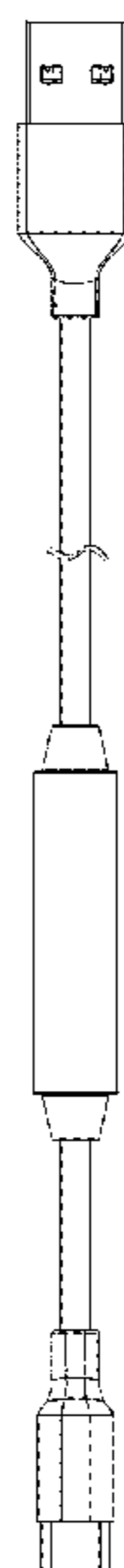
(74) *Attorney, Agent, or Firm* — Prakash Nama; Global IP Services, PLLC

(57) **CLAIM**

The ornamental design for a USB connection cable, as shown and described.

FIG. 1 is a front elevational view of a USB connection cable showing the first embodiment of my new design;  
FIG. 2 is a rear elevational view thereof;  
FIG. 3 is a left side view thereof;  
FIG. 4 is a right side view thereof;  
FIG. 5 is a top plan view thereof;  
FIG. 6 is a bottom plan view thereof;  
FIG. 7 is a perspective view thereof;  
FIG. 8 is a second perspective view thereof;  
FIG. 9 is a third perspective view thereof;  
FIG. 10 is a front elevational view of a USB connection cable showing the second embodiment of my new design;  
FIG. 11 is a rear elevational view of the second embodiment;  
FIG. 12 is a left side view of the second embodiment;  
FIG. 13 is a right side view of the second embodiment;  
FIG. 14 is a top plan view of the second embodiment;  
FIG. 15 is a bottom plan view of the second embodiment;  
FIG. 16 is a perspective view of the second embodiment;  
FIG. 17 is a second perspective view of the second embodiment;  
FIG. 18 is a third perspective view of the second embodiment;  
FIG. 19 is a front elevational view of a USB connection cable showing the third embodiment of my new design;  
FIG. 20 is a rear elevational view of the third embodiment;  
FIG. 21 is a left side view of the third embodiment;  
FIG. 22 is a right side view of the third embodiment;  
FIG. 23 is a top plan view of the third embodiment;  
FIG. 24 is a bottom plan view of the third embodiment;  
FIG. 25 is a perspective view of the third embodiment;  
FIG. 26 is a second perspective view of the third embodiment; and,  
FIG. 27 is a third perspective view of the third embodiment. The USB connection cable is shown with a symbolic break in its length. The appearance of any portion of the cable between the break lines forms no part of the claimed design.

**1 Claim, 18 Drawing Sheets**



(58) **Field of Classification Search**

CPC ..... H01R 13/7175

See application file for complete search history.

(56) **References Cited**

U.S. PATENT DOCUMENTS

D600,652 S \* 9/2009 Hong ..... D13/154  
D620,448 S \* 7/2010 Lee ..... D13/154  
D622,220 S \* 8/2010 Huang ..... D13/147  
D628,537 S \* 12/2010 Nagata ..... D13/147  
D636,337 S \* 4/2011 Smith ..... D13/147  
D644,999 S \* 9/2011 Lee ..... D13/147  
D675,993 S \* 2/2013 Izen ..... D13/147  
D676,389 S \* 2/2013 Worth ..... D13/147  
D679,655 S \* 4/2013 Lin ..... D13/147  
D692,390 S \* 10/2013 Smith ..... D13/133  
D694,190 S \* 11/2013 Wincek ..... D13/147  
D730,903 S \* 6/2015 Langhammer ..... D14/433  
D734,272 S \* 7/2015 Dang ..... D13/153  
D738,312 S \* 9/2015 Bress ..... D13/147  
D743,965 S \* 11/2015 Laffon de Mazieres .... D13/154  
D753,060 S \* 4/2016 Miller ..... D13/110  
D779,492 S \* 2/2017 Lin ..... D14/433  
D784,931 S \* 4/2017 Fries ..... D13/153  
D786,798 S \* 5/2017 Yokoyama ..... D13/147  
D787,448 S \* 5/2017 Robert ..... D13/151  
9,660,396 B2 \* 5/2017 Chen ..... H01R 13/7175

\* cited by examiner

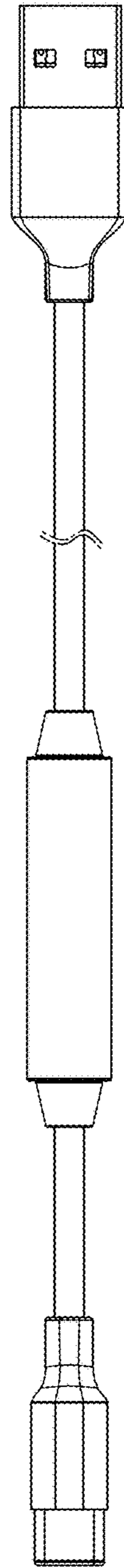


FIG. 1

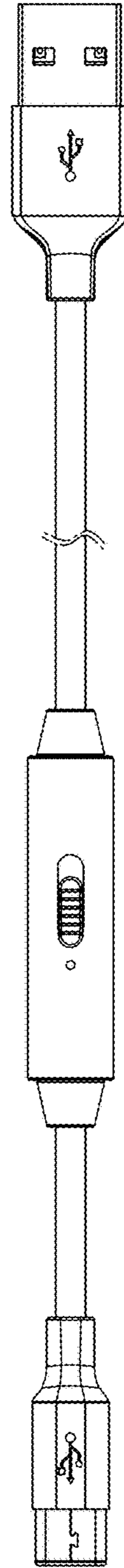


FIG. 2

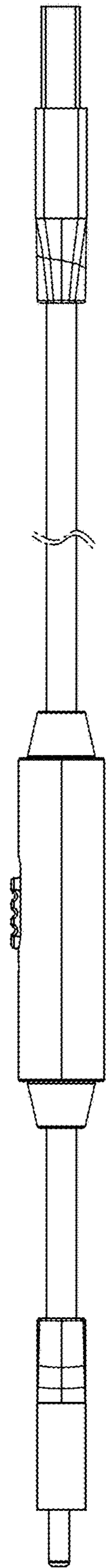


FIG. 3

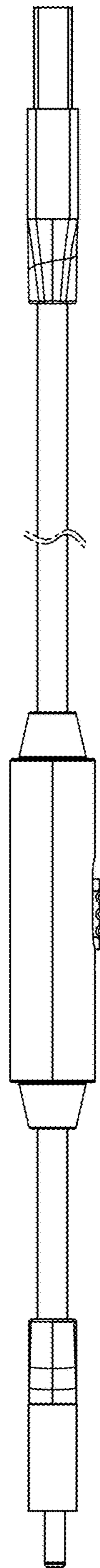


FIG. 4

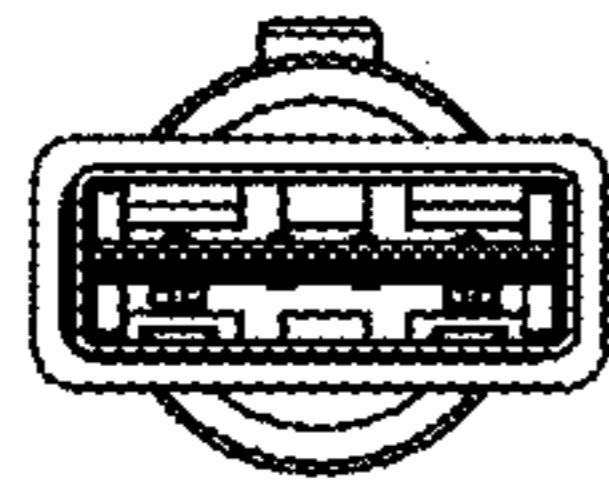


FIG. 5

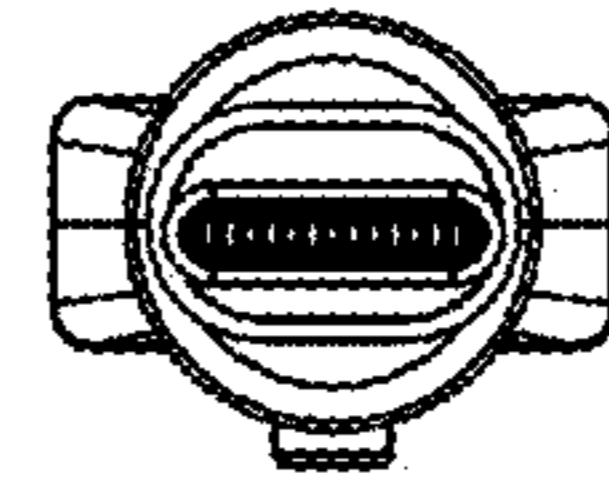


FIG. 6

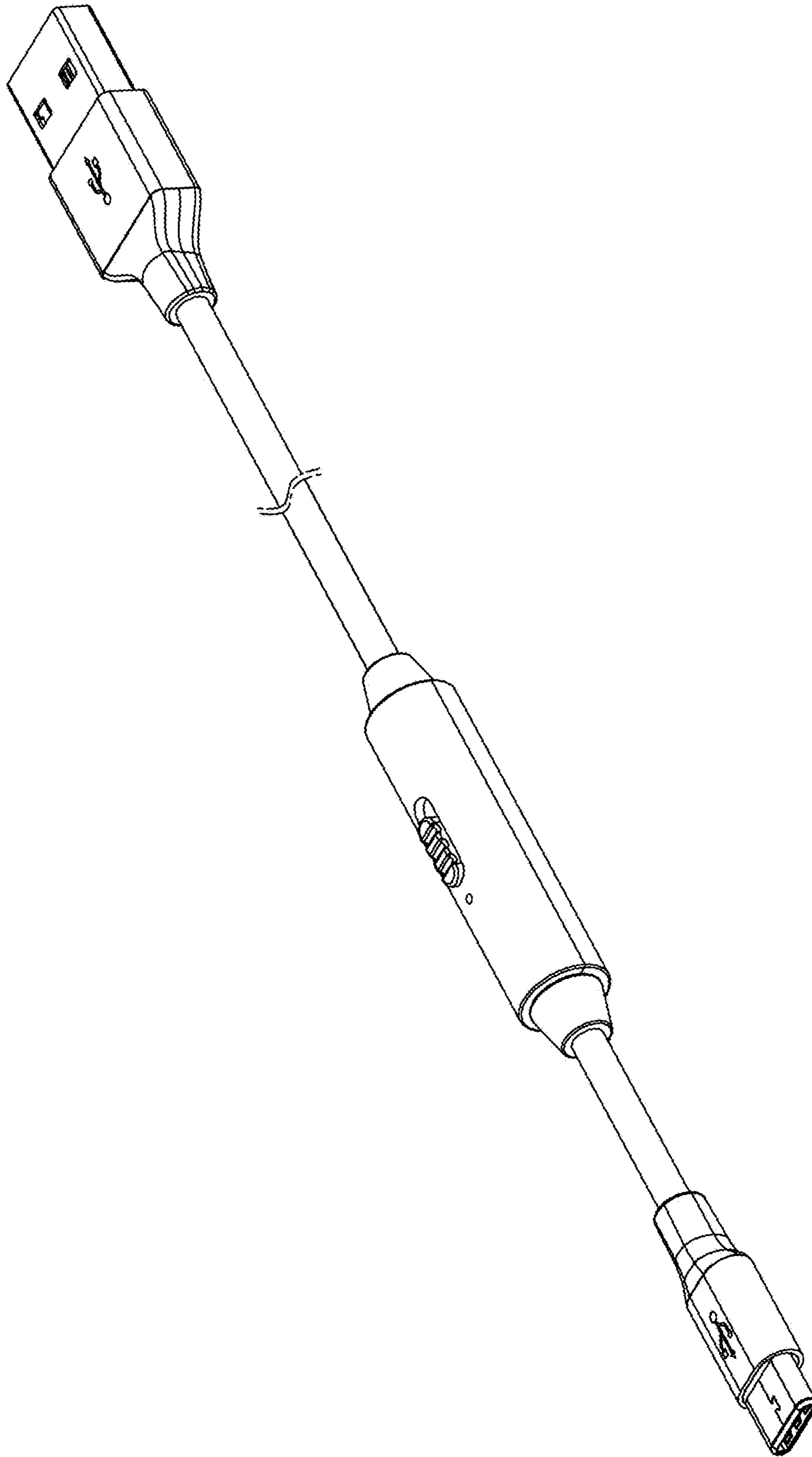


FIG. 7

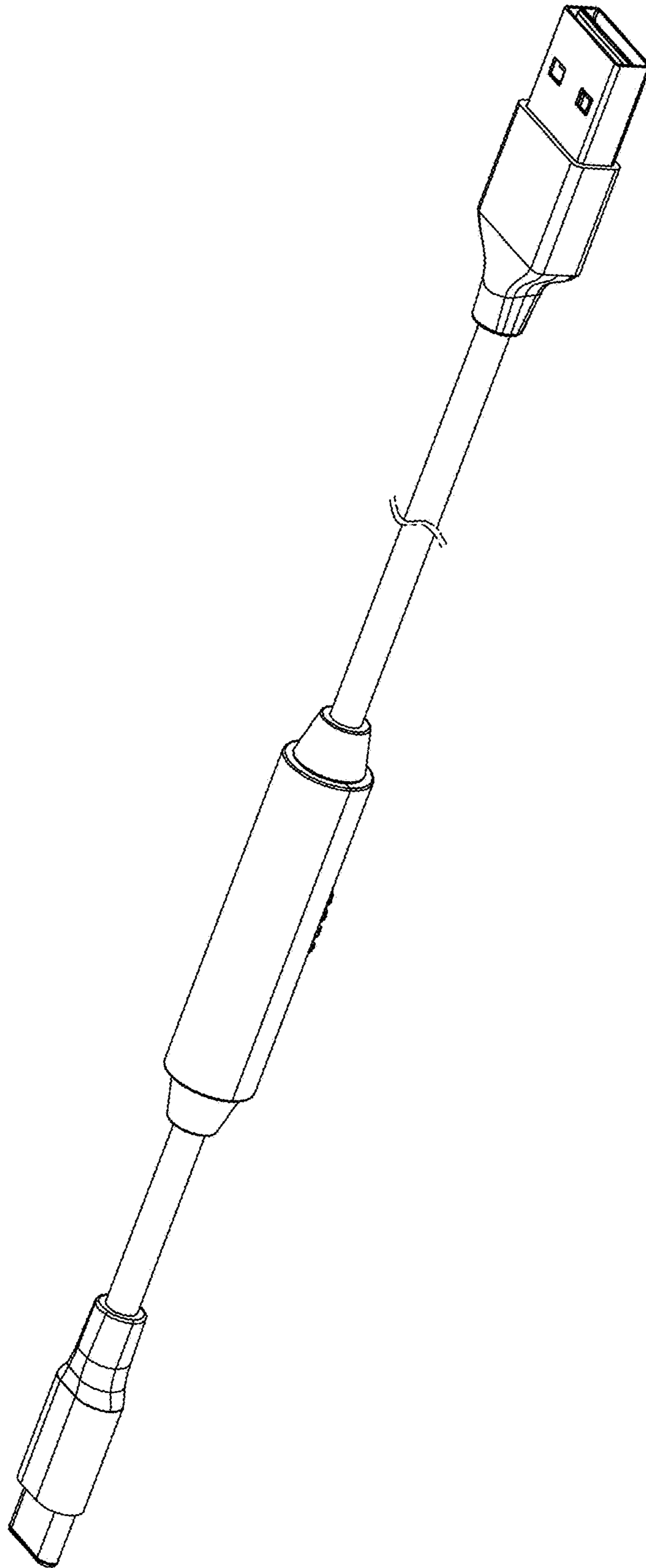


FIG. 8

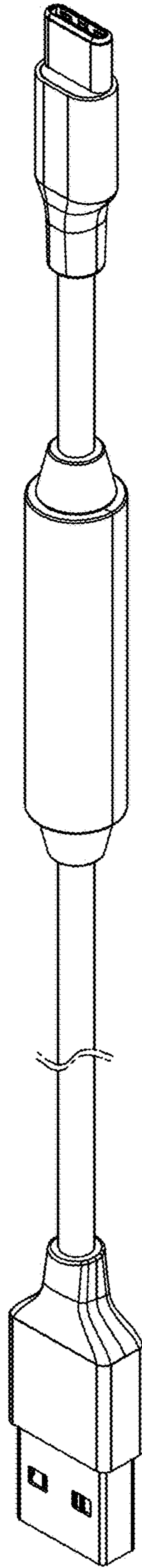


FIG. 9



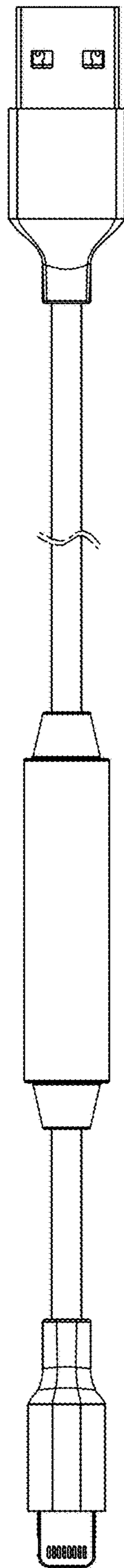


FIG. 10

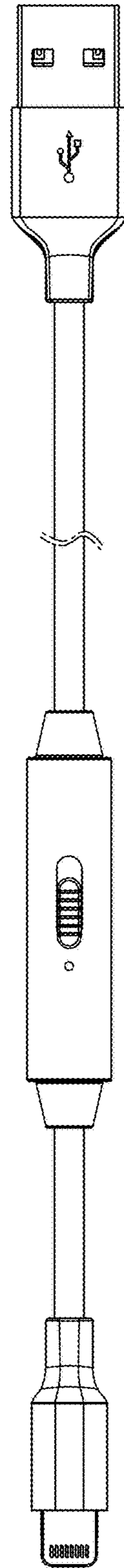


FIG. 11

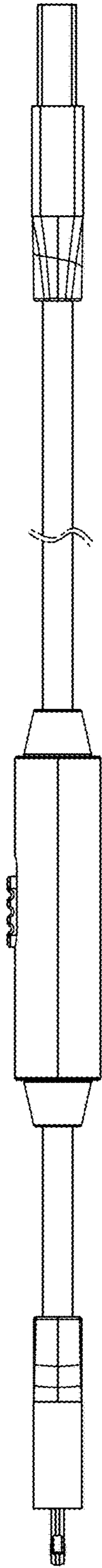


FIG. 12

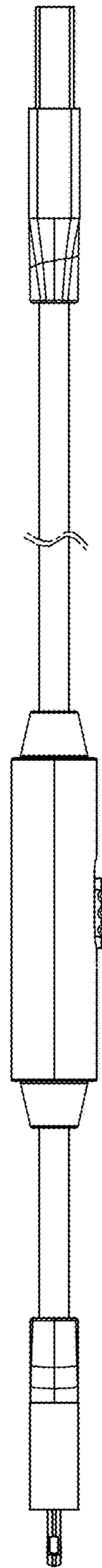


FIG. 13

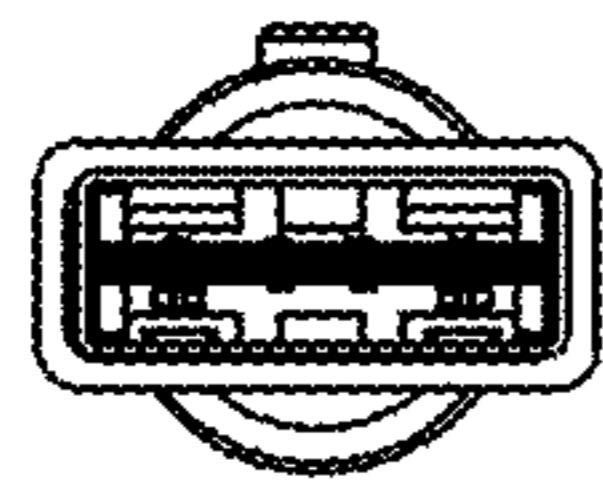


FIG. 14

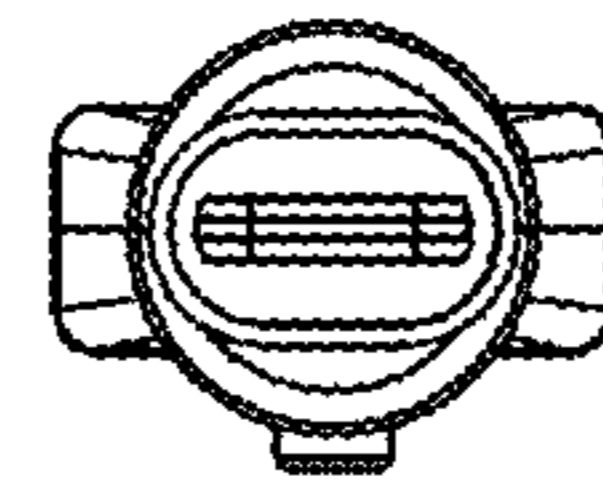


FIG. 15

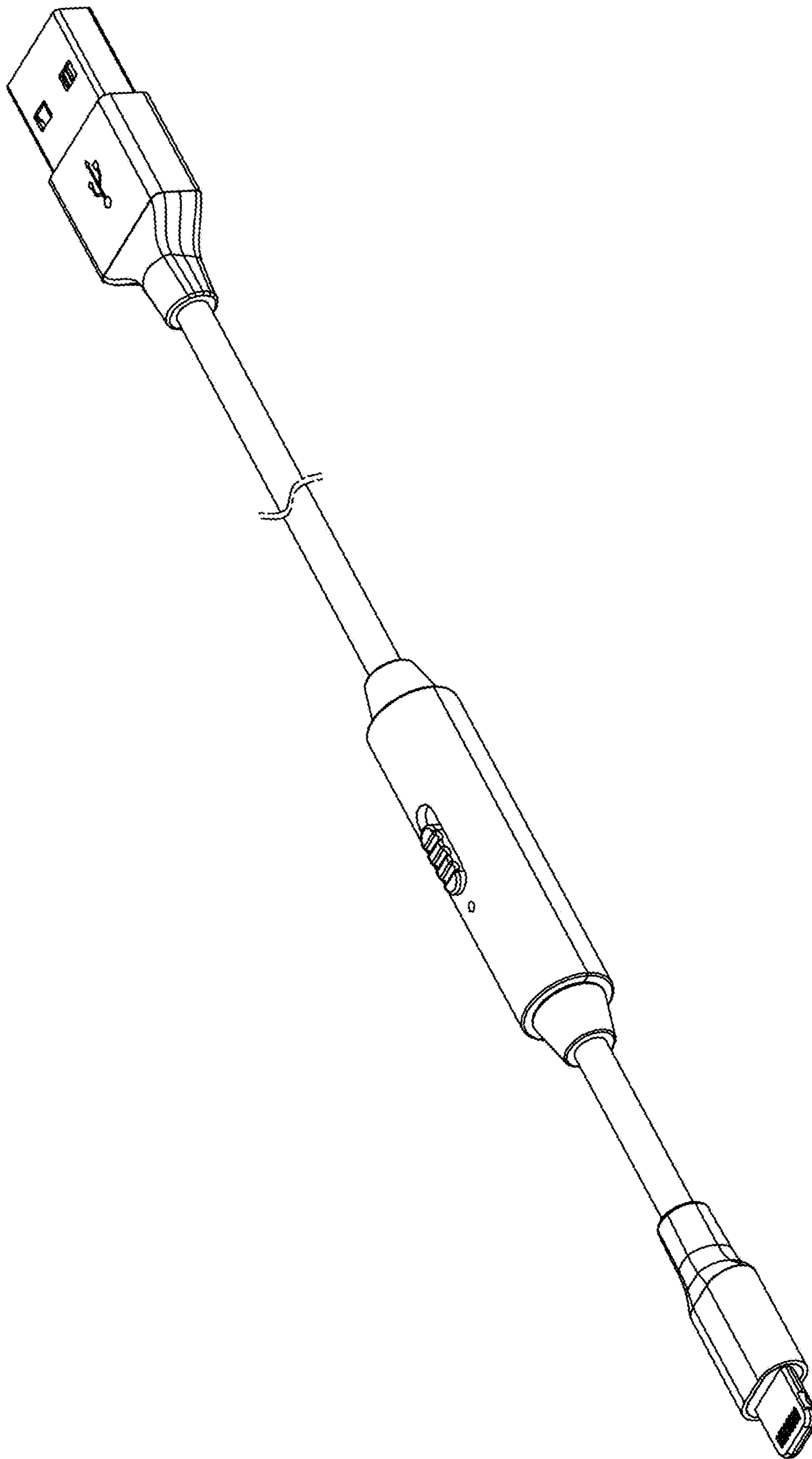


FIG. 16

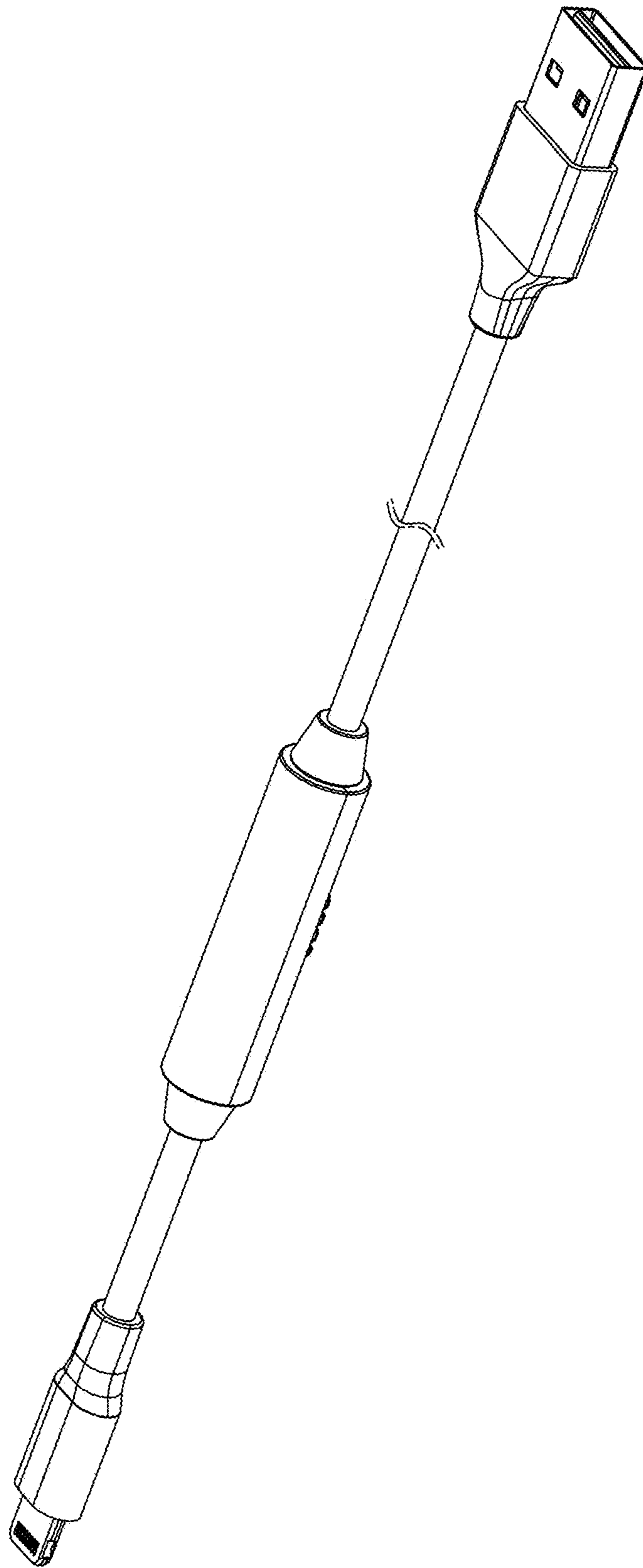


FIG. 17

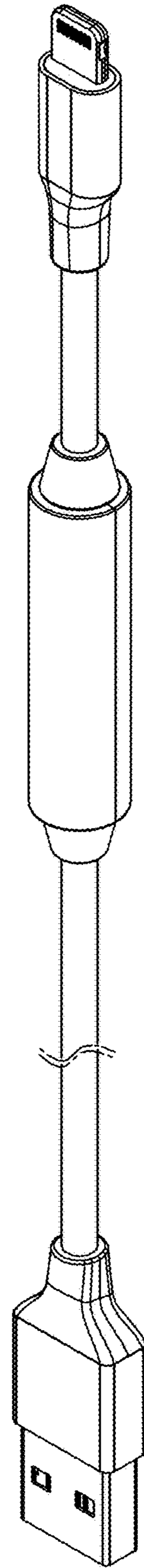


FIG. 18

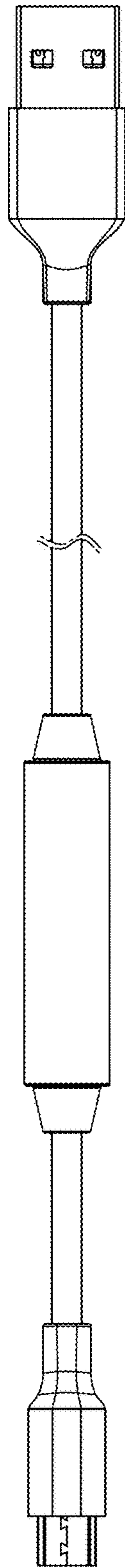


FIG. 19

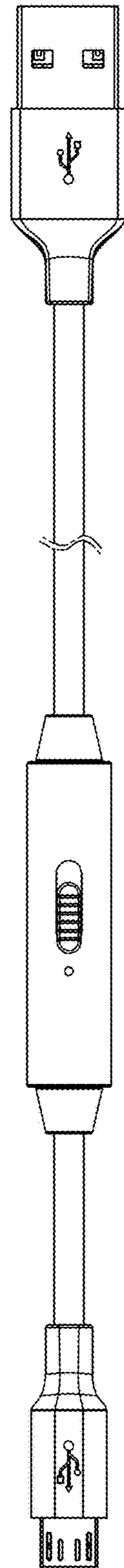


FIG. 20

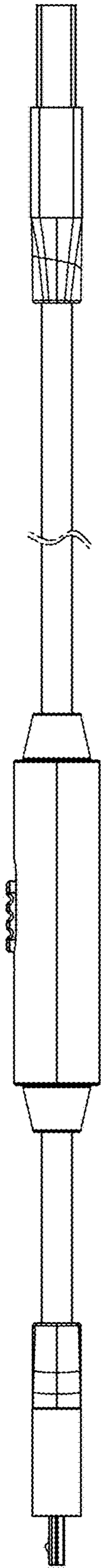


FIG. 21

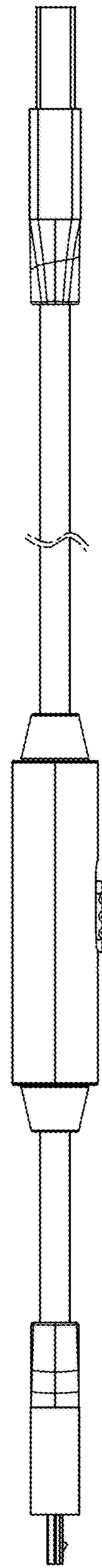


FIG. 22



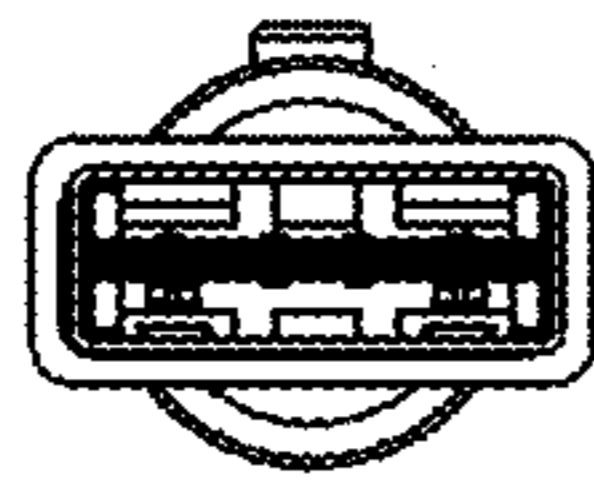


FIG. 23

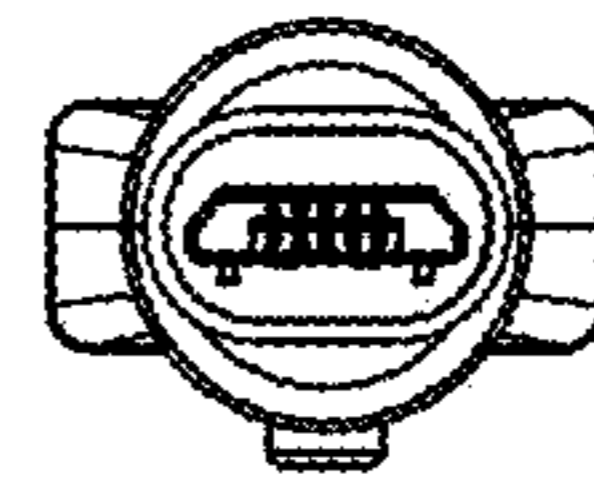


FIG. 24

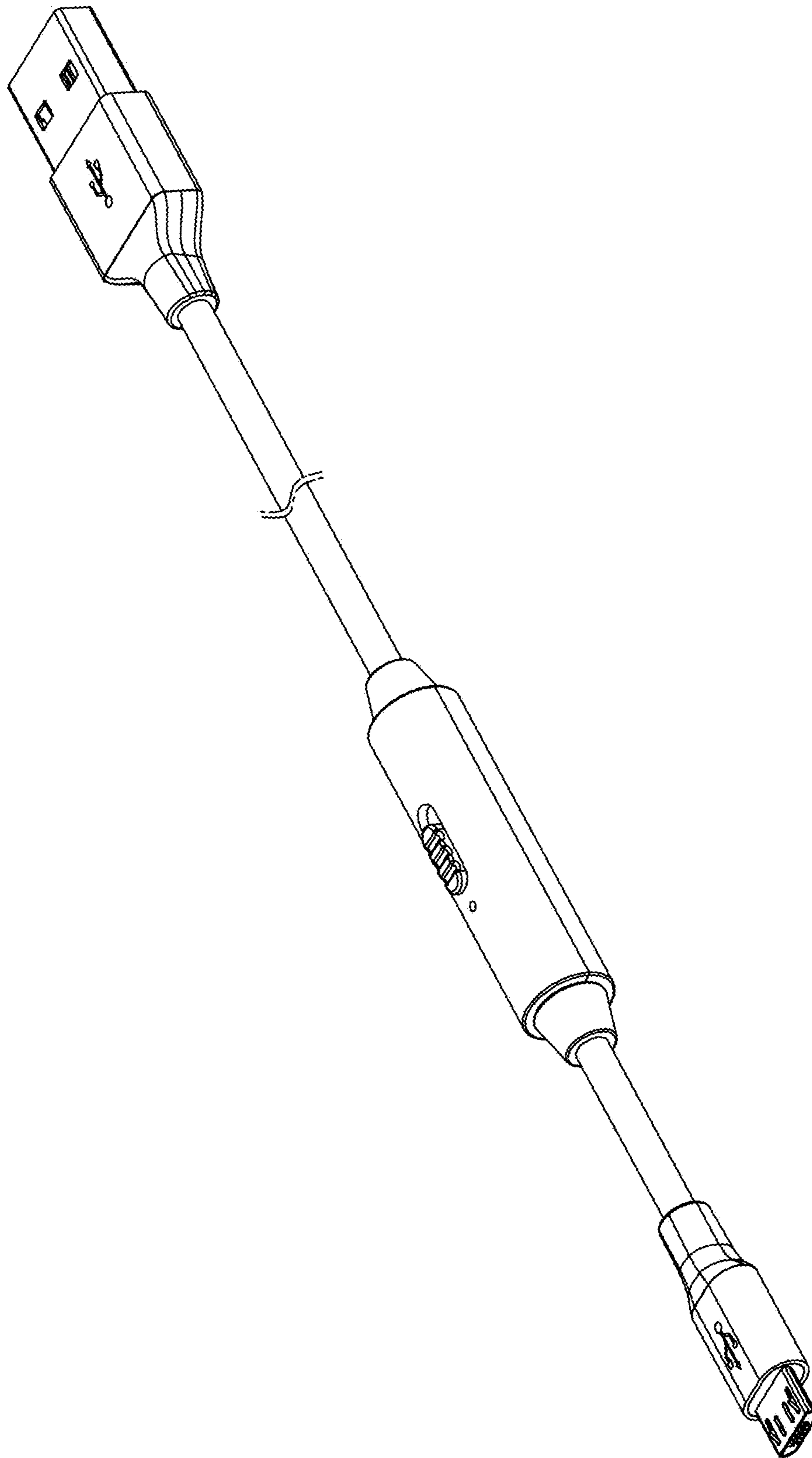


FIG. 25

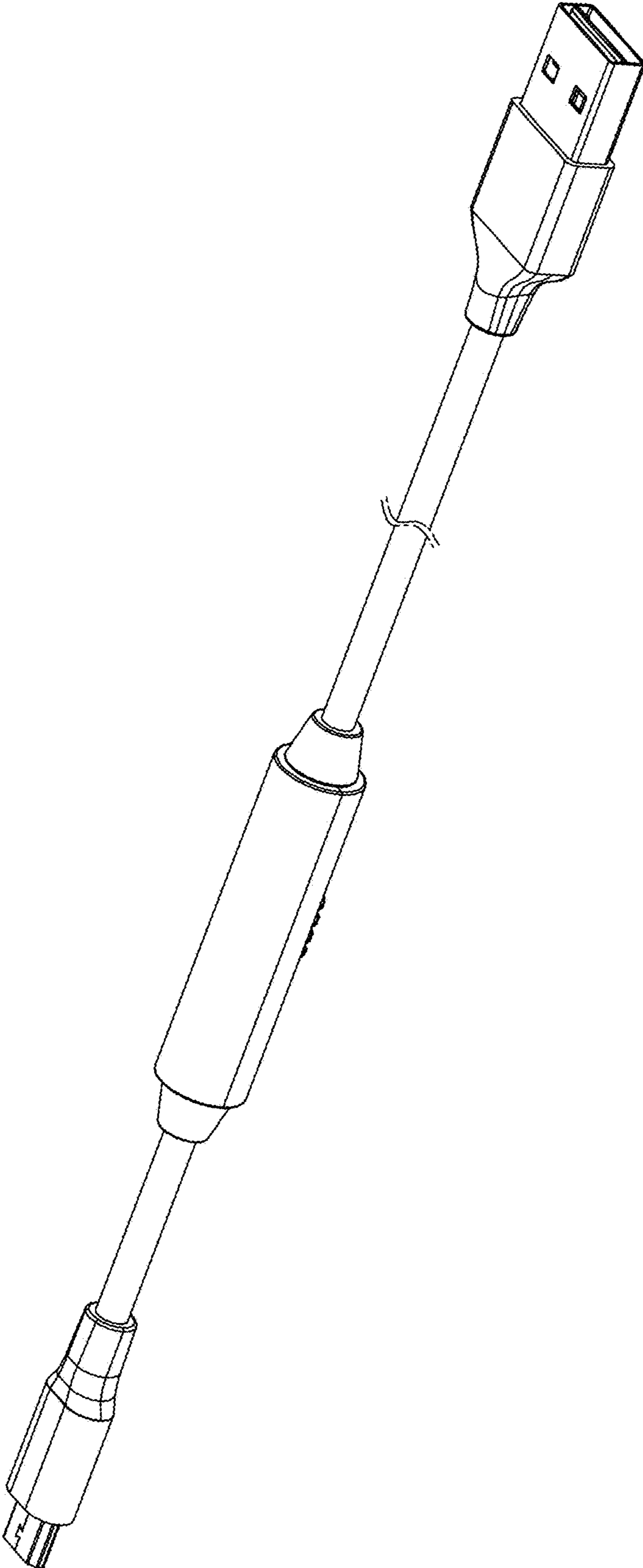


FIG. 26

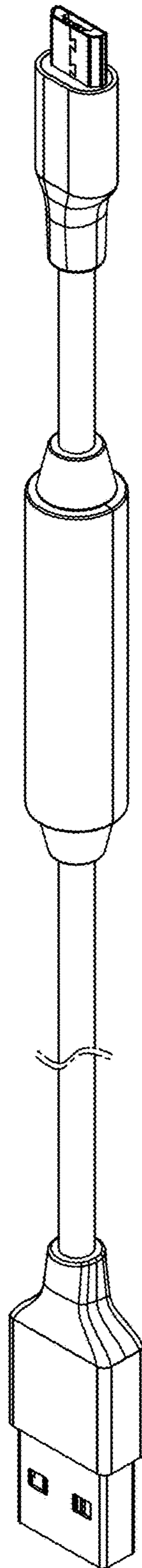


FIG. 27