



US00D795815S

(12) **United States Design Patent**
Mikawa

(10) **Patent No.:** **US D795,815 S**

(45) **Date of Patent:** **** Aug. 29, 2017**

(54) **CARD CONNECTOR**

(71) Applicant: **JAPAN AVIATION ELECTRONICS
INDUSTRY, LIMITED**, Tokyo (JP)

(72) Inventor: **Kazuya Mikawa**, Tokyo (JP)

(73) Assignee: **Japan Aviation Electronics Industry,
Limited**, Tokyo (JP)

(**) Term: **15 Years**

(21) Appl. No.: **29/584,601**

(22) Filed: **Nov. 16, 2016**

(30) **Foreign Application Priority Data**

Jun. 2, 2016 (JP) 2016-011831

(51) **LOC (10) Cl.** **13-03**

(52) **U.S. Cl.**
USPC **D13/147**

(58) **Field of Classification Search**

USPC D13/133, 146, 147, 154, 184, 199
CPC H01R 12/7076; H01R 24/00; H01R 13/24;
H01R 13/42; H01R 13/62; G06K 7/00;
G06K 7/0021

See application file for complete search history.

(56) **References Cited**

U.S. PATENT DOCUMENTS

D568,250 S * 5/2008 Wu D13/147
D570,291 S * 6/2008 Zhang D13/133

D589,454 S * 3/2009 Gao D13/147
D596,128 S * 7/2009 Hung D13/147
D704,141 S * 5/2014 Tsuji D13/147
D729,170 S * 5/2015 Kim D13/147
D742,832 S 11/2015 Mikawa
2011/0104920 A1* 5/2011 Matsunaga H01R 12/716
439/152

* cited by examiner

Primary Examiner — Daniel Bui

(74) *Attorney, Agent, or Firm* — Cermak Nakajima &
McGowan LLP; Tomoko Nakajima

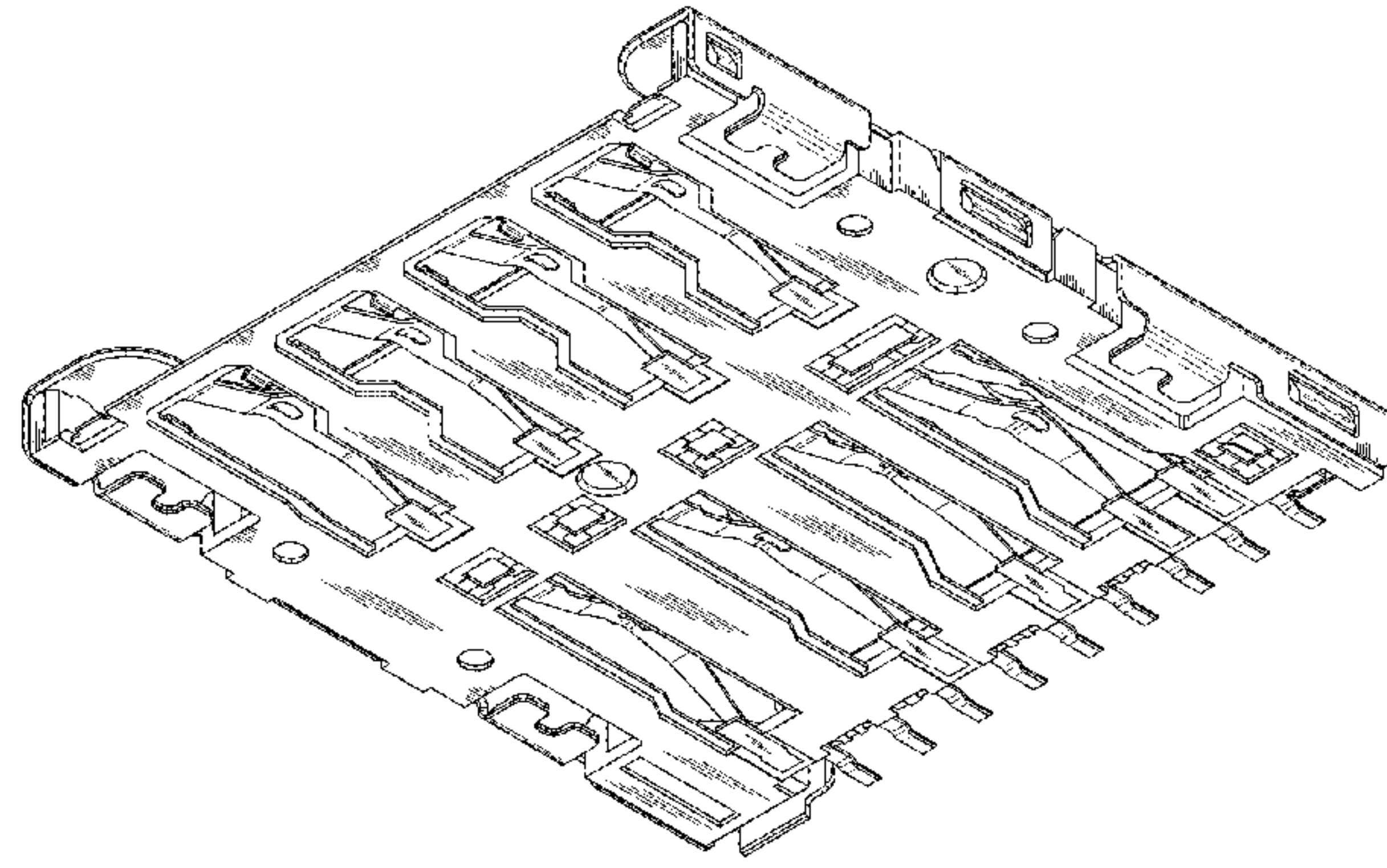
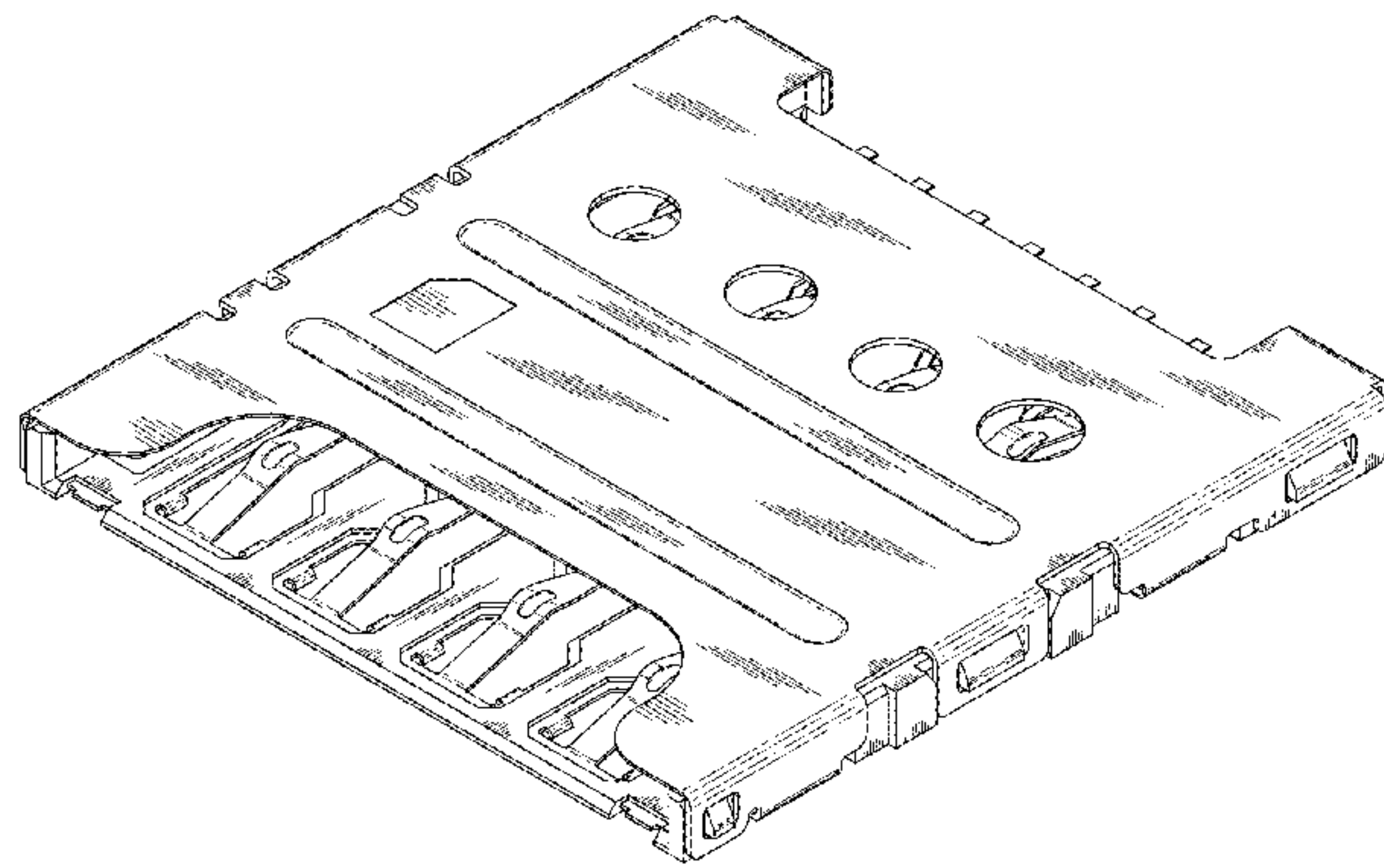
(57) **CLAIM**

The ornamental design for a card connector, as shown.

DESCRIPTION

FIG. 1 is a front elevational view of a card connector showing my new design;
FIG. 2 is a top plan view thereof;
FIG. 3 is a right side elevational view thereof;
FIG. 4 is a left side elevational view thereof;
FIG. 5 is a rear elevational view thereof; and
FIG. 6 is a bottom plan view thereof.
FIG. 7 is a front and top perspective view thereof;
FIG. 8 is a rear and top perspective view thereof;
FIG. 9 is a front and bottom perspective view thereof; and,
FIG. 10 is a rear and bottom perspective view thereof.

1 Claim, 10 Drawing Sheets



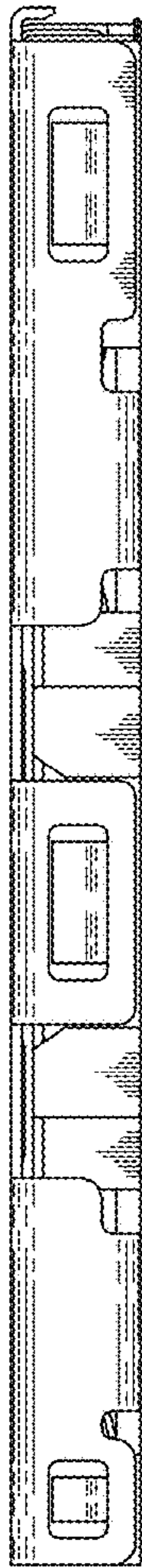


FIG.1

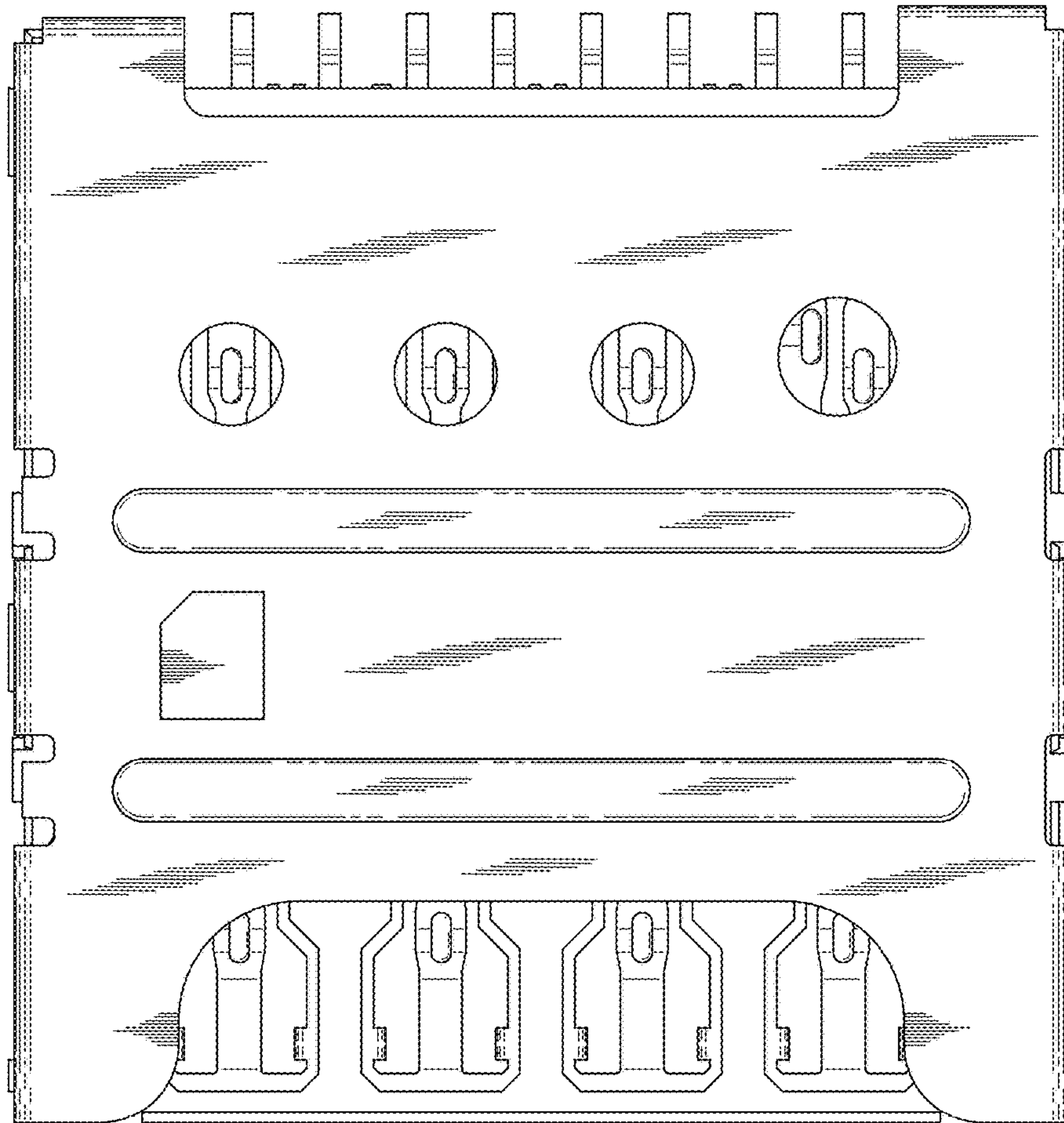


FIG.2



FIG.3

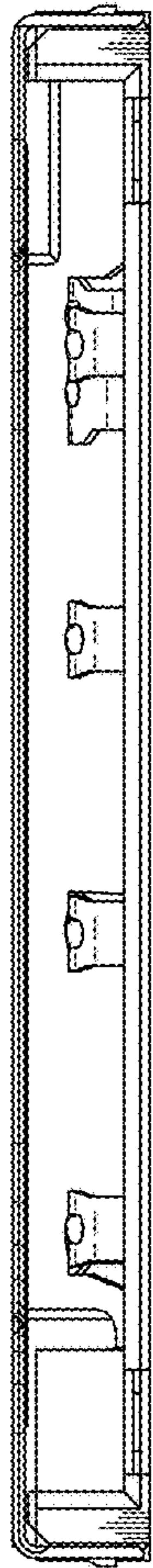


FIG.4

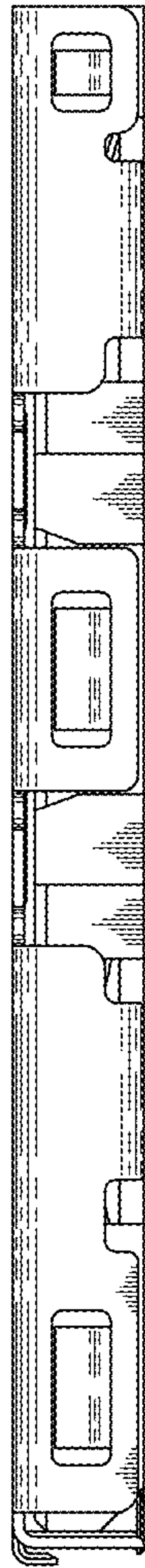


FIG.5

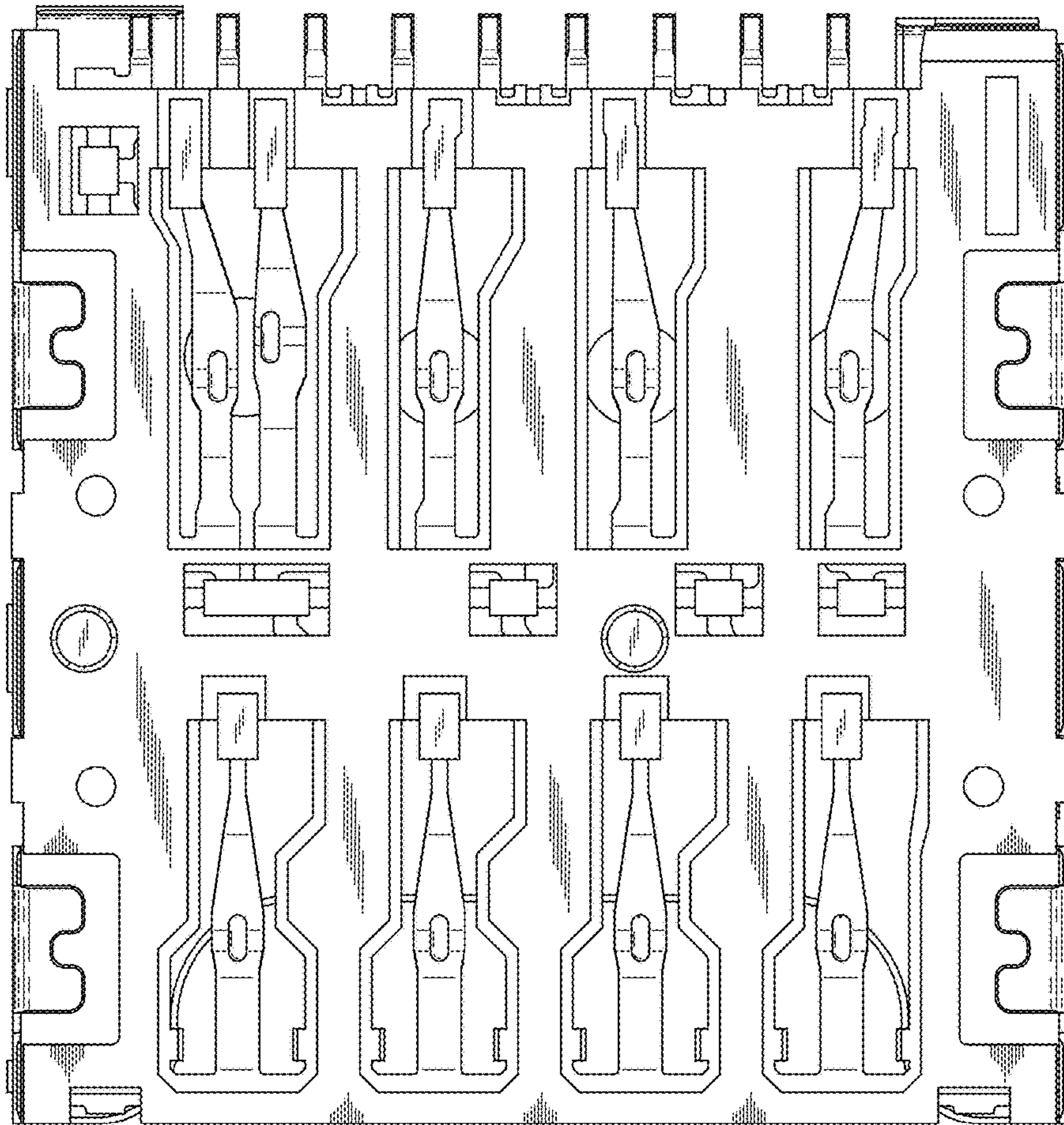


FIG.6

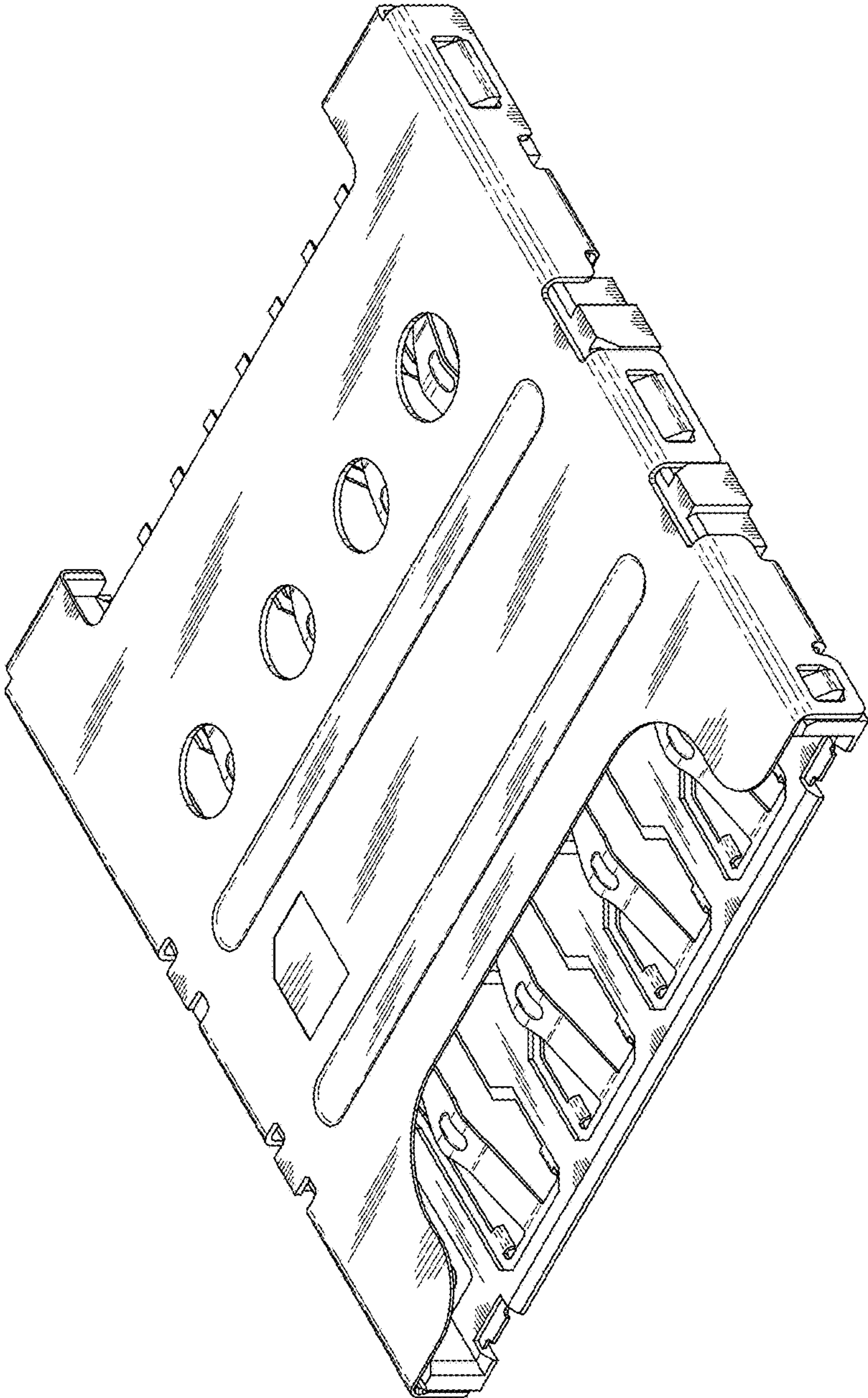


FIG.7

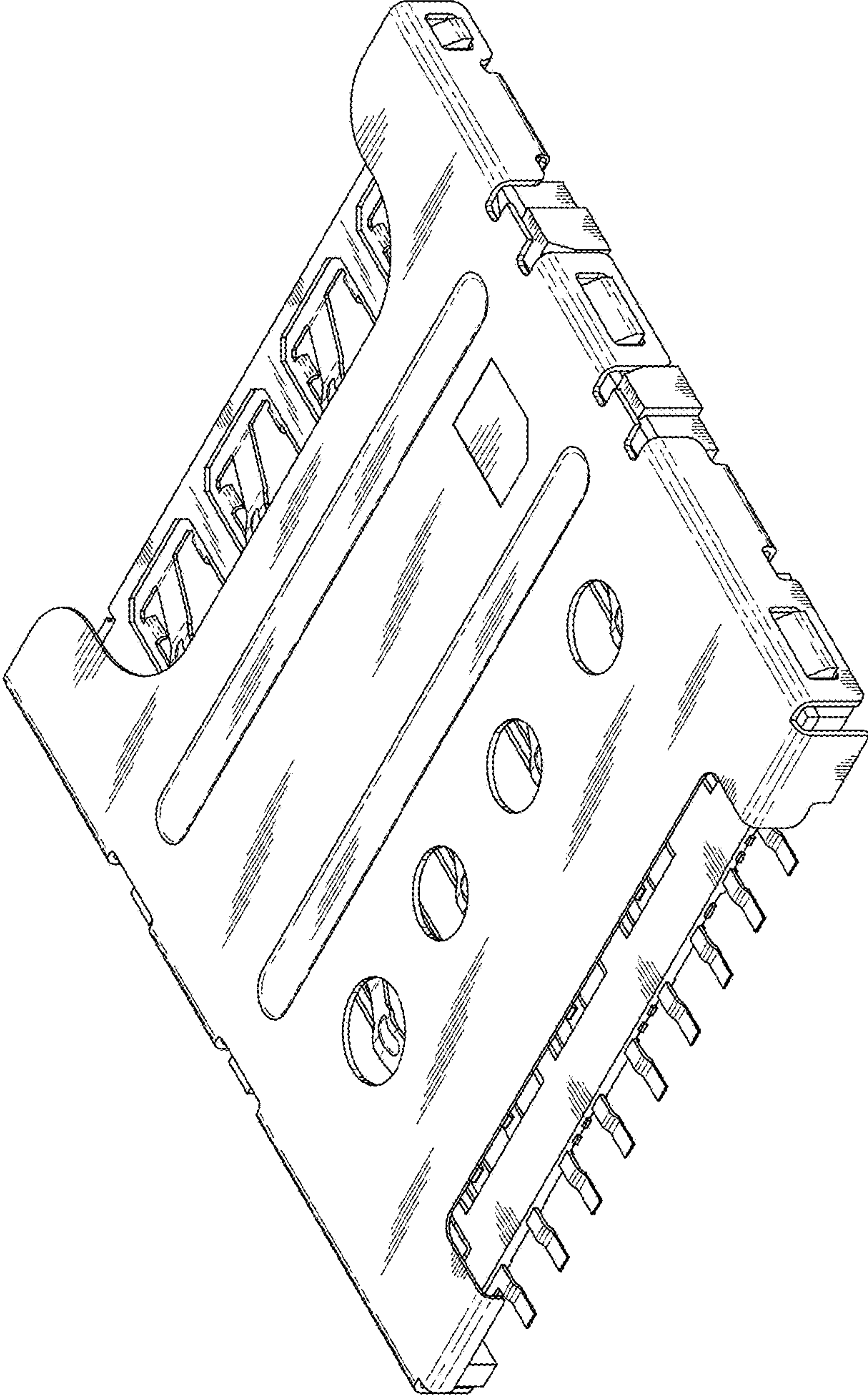


FIG.8

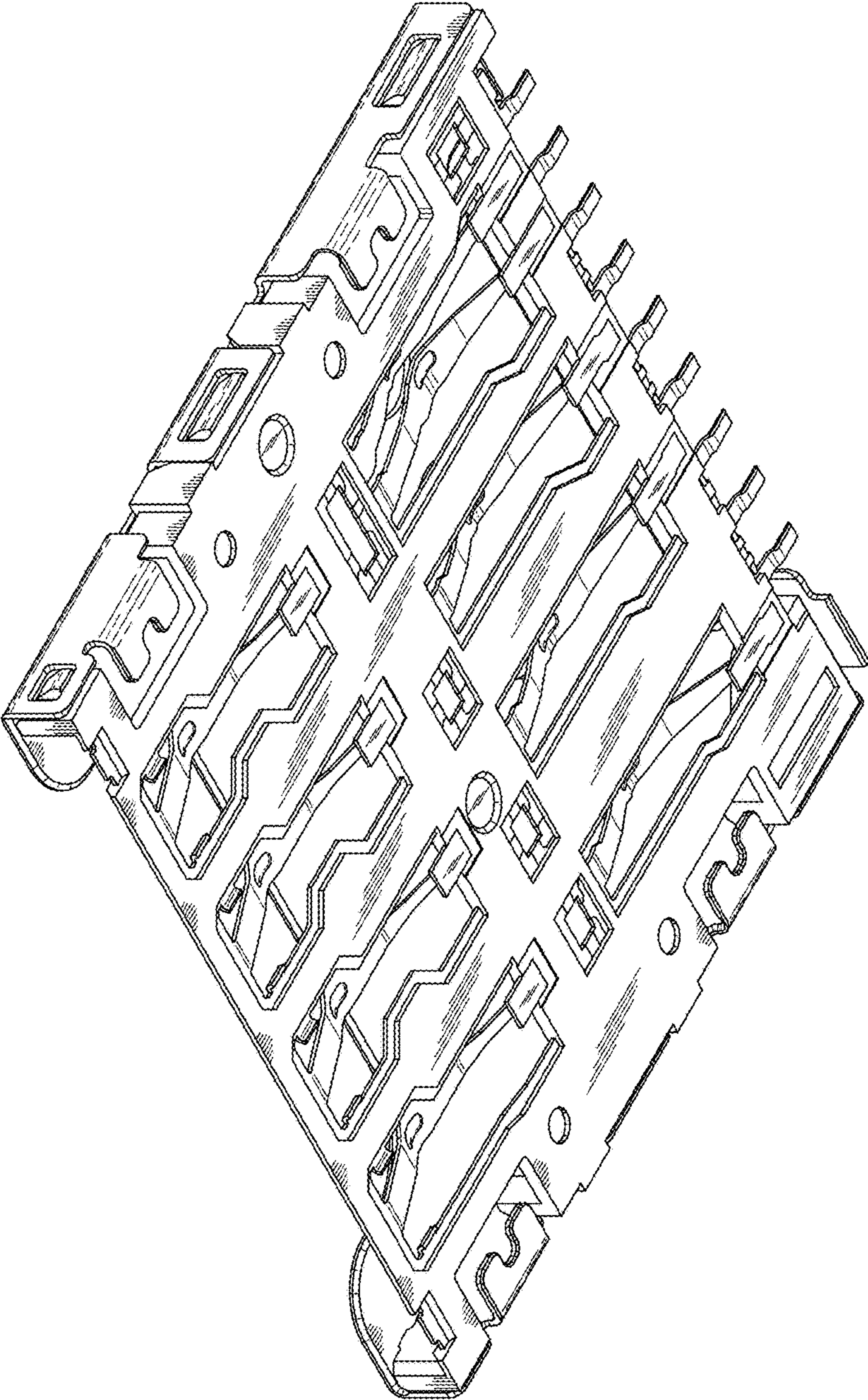


FIG.9

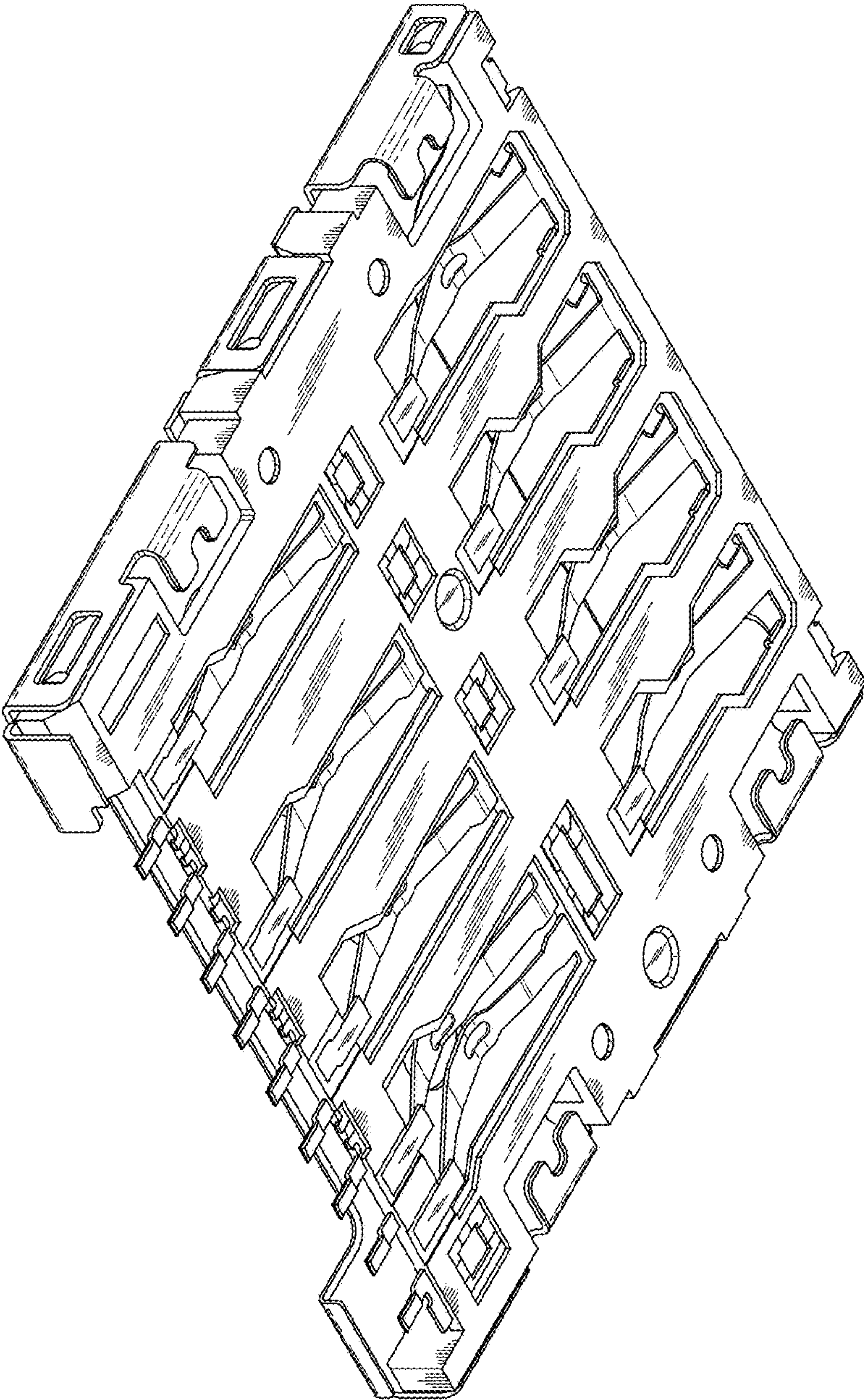


FIG.10