



US00D795814S

(12) **United States Design Patent**
Smith

(10) **Patent No.:** **US D795,814 S**

(45) **Date of Patent:** **** Aug. 29, 2017**

(54) **CABLE SECURING DEVICE**

(71) Applicant: **Bridgeport Fittings, Inc.**, Stratford, CT (US)

(72) Inventor: **Lawrence J. Smith**, Stamford, CT (US)

(73) Assignee: **BRIDGEPORT FITTINGS, INC.**, Stratford, CT (US)

(**) Term: **15 Years**

(21) Appl. No.: **29/581,929**

(22) Filed: **Oct. 24, 2016**

Related U.S. Application Data

(63) Continuation of application No. 29/523,154, filed on Apr. 7, 2015, now Pat. No. Des. 775,590.

(51) **LOC (10) Cl.** **13-03**

(52) **U.S. Cl.**
USPC **D13/147**

(58) **Field of Classification Search**
USPC D13/133, 146, 147, 154, 184, 199
CPC . H01R 4/48; H01R 4/64; H01R 13/44; H02G 3/04; H02G 3/06; H02G 3/18; H02G 3/22
See application file for complete search history.

(56) **References Cited**

U.S. PATENT DOCUMENTS

3,306,638	A	2/1967	Rubin
4,169,572	A	10/1979	Simon
5,374,017	A	12/1994	Martin et al.
5,799,984	A	9/1998	Reynolds, Jr.
5,912,431	A	6/1999	Sheehan
6,352,439	B1	3/2002	Stark et al.
6,916,988	B1	7/2005	Auray et al.
7,005,581	B2	2/2006	Burnette
7,057,107	B2	6/2006	Auray et al.
7,064,272	B2	6/2006	Auray et al.
7,075,007	B2	7/2006	Auray et al.

7,078,623	B1	7/2006	Sheehan
7,151,223	B2	12/2006	Auray et al.
7,154,042	B2	12/2006	Auray et al.
7,205,489	B2	4/2007	Auray et al.
7,211,744	B2	5/2007	Jorgensen
7,304,251	B1	12/2007	Gretz

(Continued)

FOREIGN PATENT DOCUMENTS

AU	2002219381	B2	9/2002
CN	203241572	U	10/2013
DE	3605063	C1	10/1987

OTHER PUBLICATIONS

PVC Non-Metallic (NM) Cable Connector; printed from Home/Electrical Fittings/Cable & Cord Connectors/PVC Non-Metallic (NM) Cable Connector; product listing (prior to Apr. 7, 2015).

(Continued)

Primary Examiner — Daniel Bui

(74) *Attorney, Agent, or Firm* — Ware, Fressola, Maguire & Barber LLP

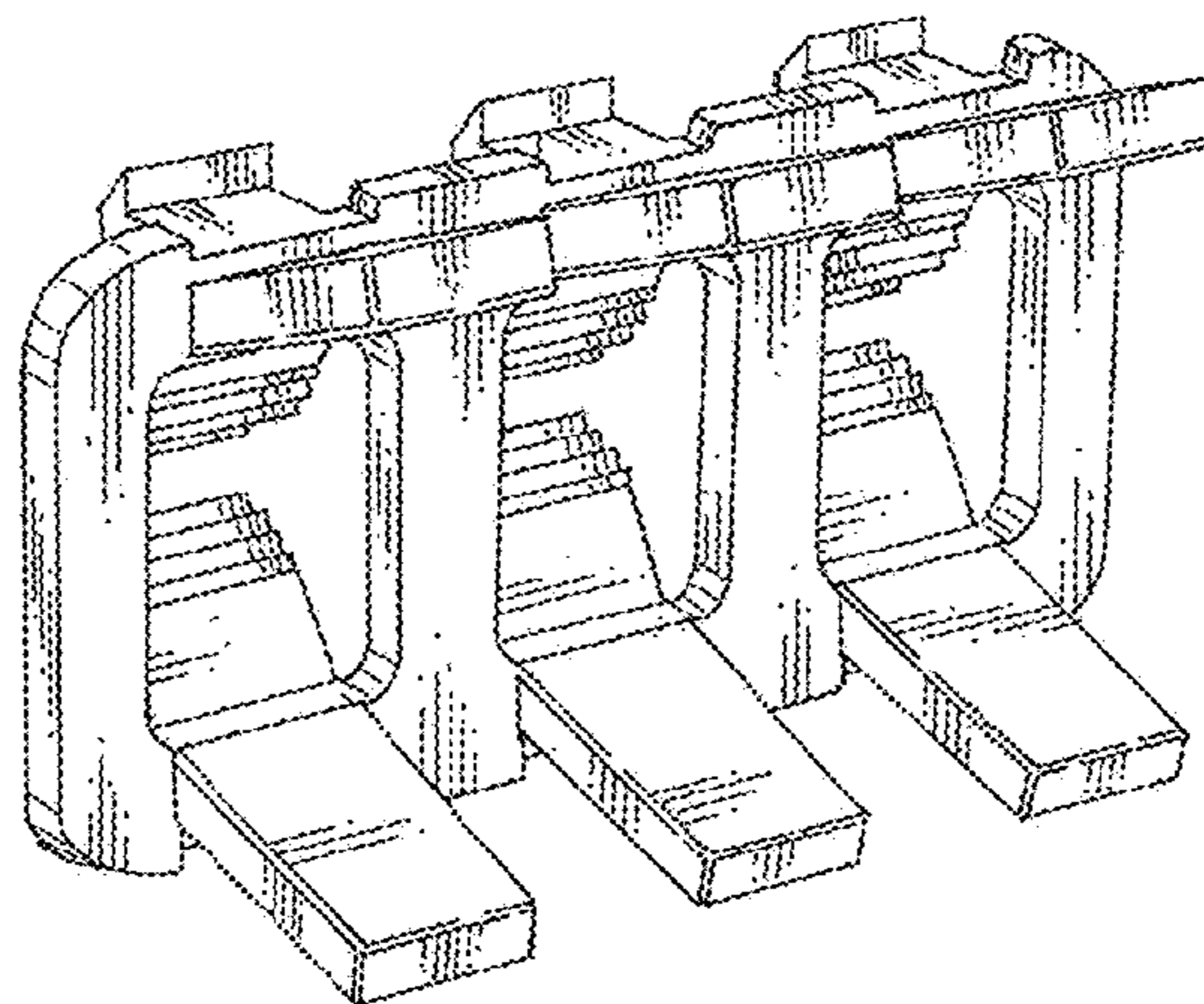
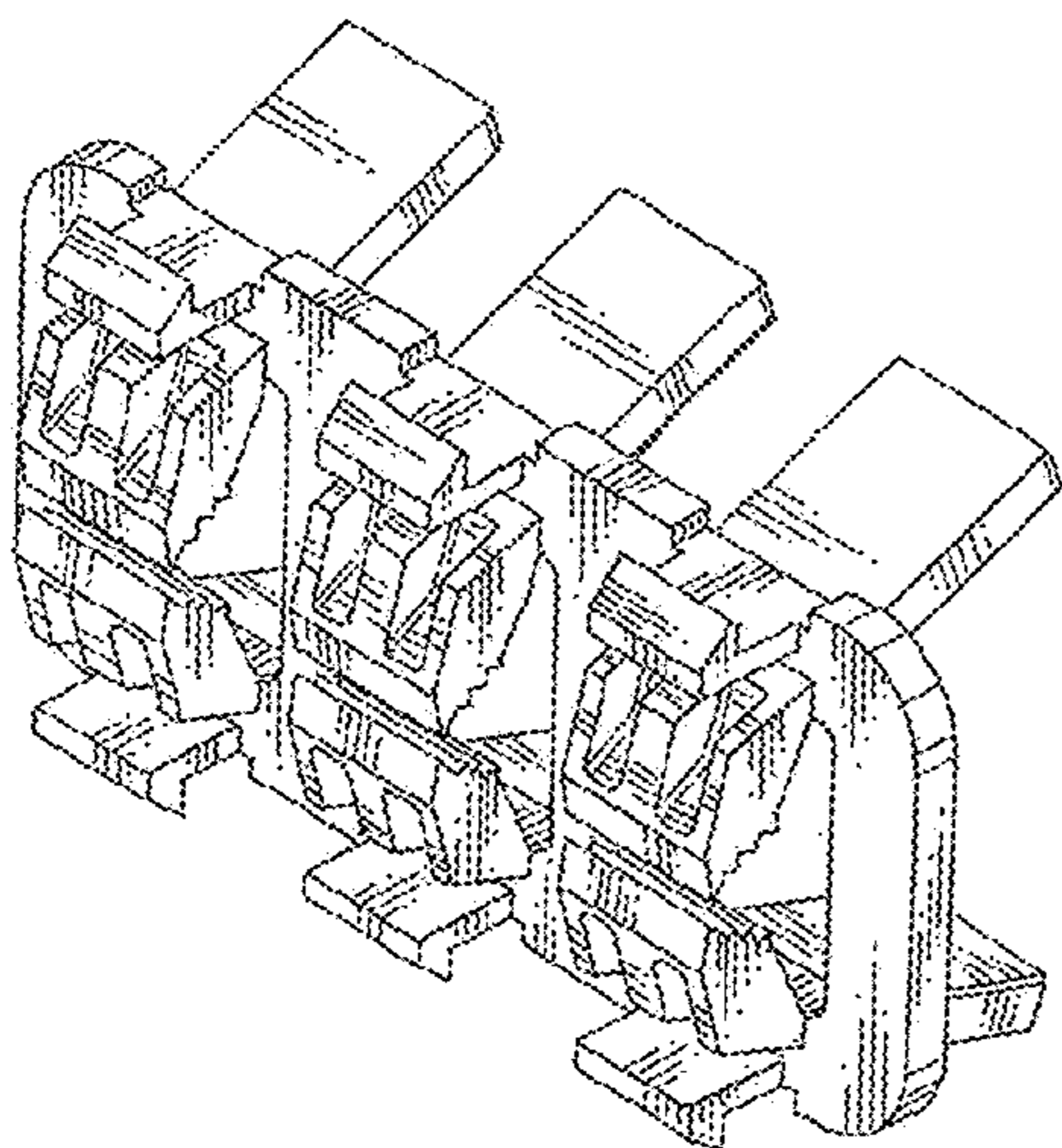
(57) **CLAIM**

The ornamental design for a cable securing device, as shown and described.

DESCRIPTION

FIG. 1 is a front perspective view of a cable securing device showing my new design;
FIG. 2 is a rear perspective view thereof;
FIG. 3 is a rear elevation view thereof;
FIG. 4 is a front elevation view thereof;
FIG. 5 is a right side elevation view thereof, the left side elevation view being a mirror image thereof; and,
FIG. 6 is a top plan view thereof, the bottom view being a mirror image thereof.

1 Claim, 3 Drawing Sheets



(56)

References Cited

U.S. PATENT DOCUMENTS

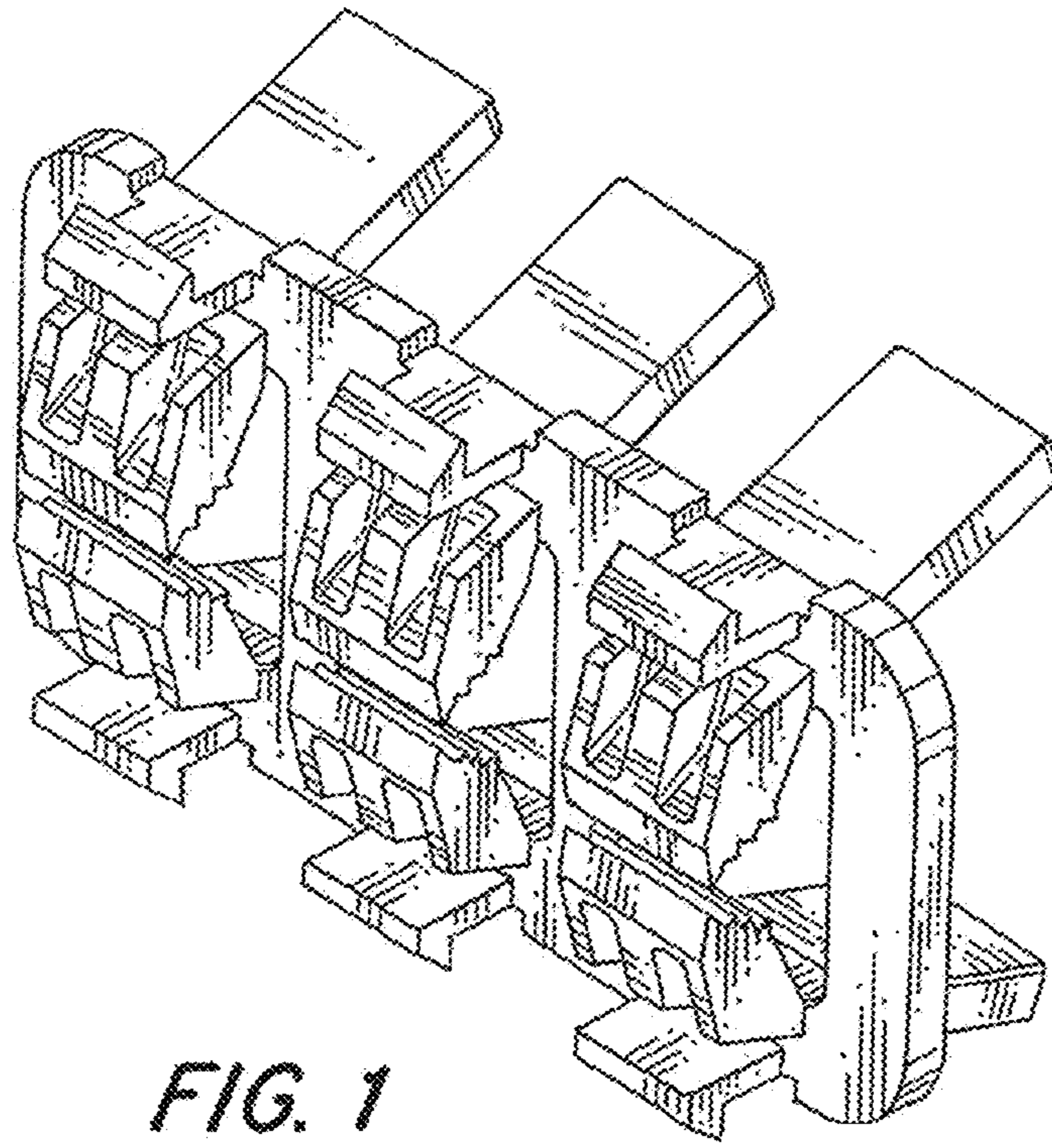
7,358,448	B2	4/2008	Auray et al.	
7,488,905	B2	2/2009	Kiely et al.	
7,615,714	B2	11/2009	Pyron et al.	
7,723,623	B2	5/2010	Kiely et al.	
7,820,922	B2	10/2010	Auray et al.	
D636,346	S	4/2011	Svelnis	
7,952,034	B2	5/2011	Kiely et al.	
D639,250	S	6/2011	Svelnis	
D643,371	S	8/2011	Svelnis	
8,119,933	B2	2/2012	Auray et al.	
8,124,891	B1	2/2012	Gretz	
8,253,043	B1	8/2012	Kiely	
D679,662	S	4/2013	Svelnis	
8,487,196	B1	7/2013	Baldwin et al.	
D699,195	S	2/2014	Smith	
8,857,039	B2	10/2014	Sathyanarayana et al.	
D729,169	S	5/2015	Corona	
D755,728	S	5/2016	Smith	
D775,590	S *	1/2017	Smith	D13/147
2010/0084854	A1	4/2010	Sathyanarayana et al.	
2013/0157491	A1	6/2013	Chavan et al.	

OTHER PUBLICATIONS

New Products: Duplex Connector, Cable Pulling Grips & More; Whipper Snap design (Bridgeport Fittings); Electrical Construction and Maintenance; Jun. 22, 2012.

Wire Connector Set; <http://www.seedstudio.com/depot/>; product page (prior to Apr. 7, 2015).

* cited by examiner



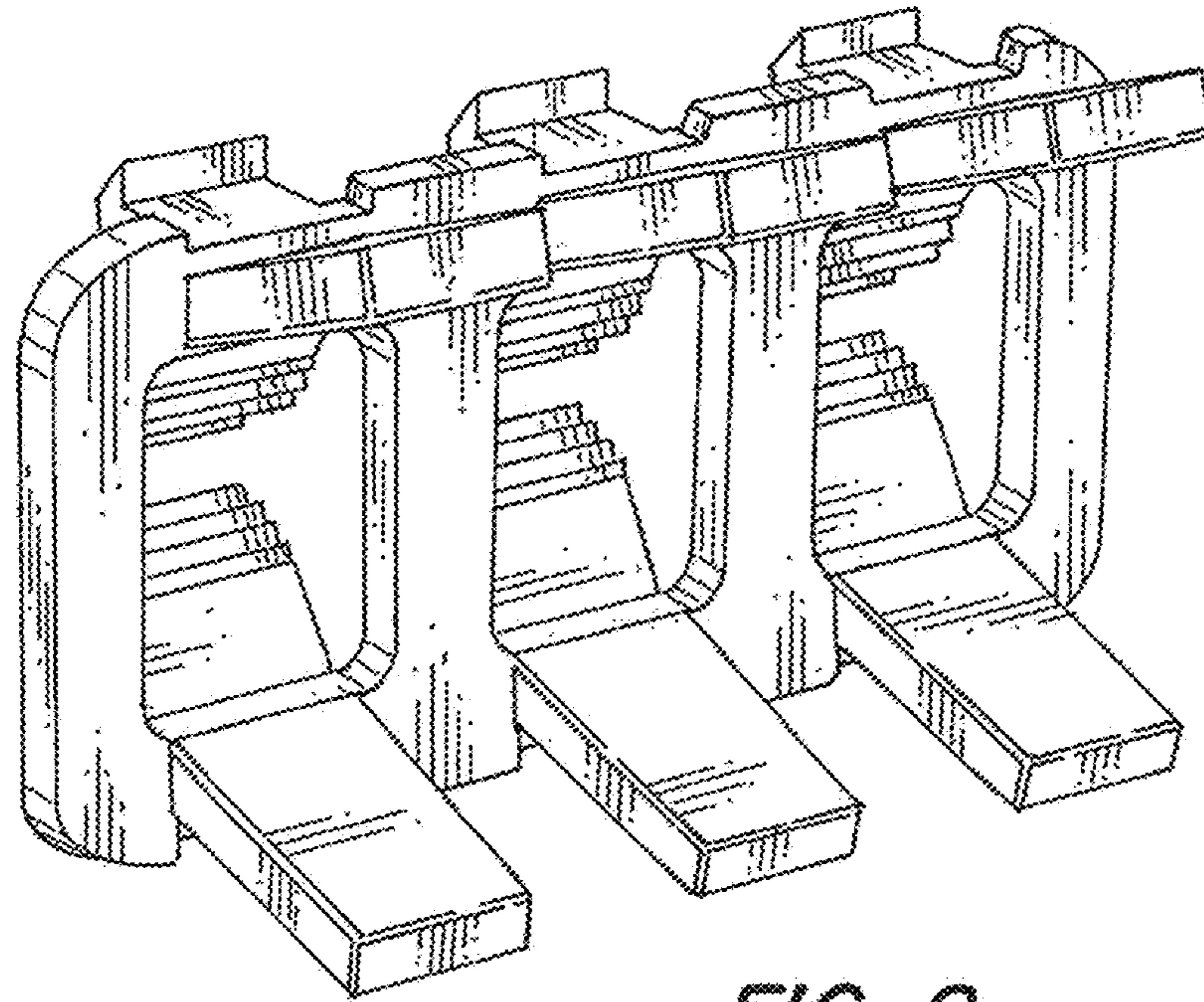


FIG. 2

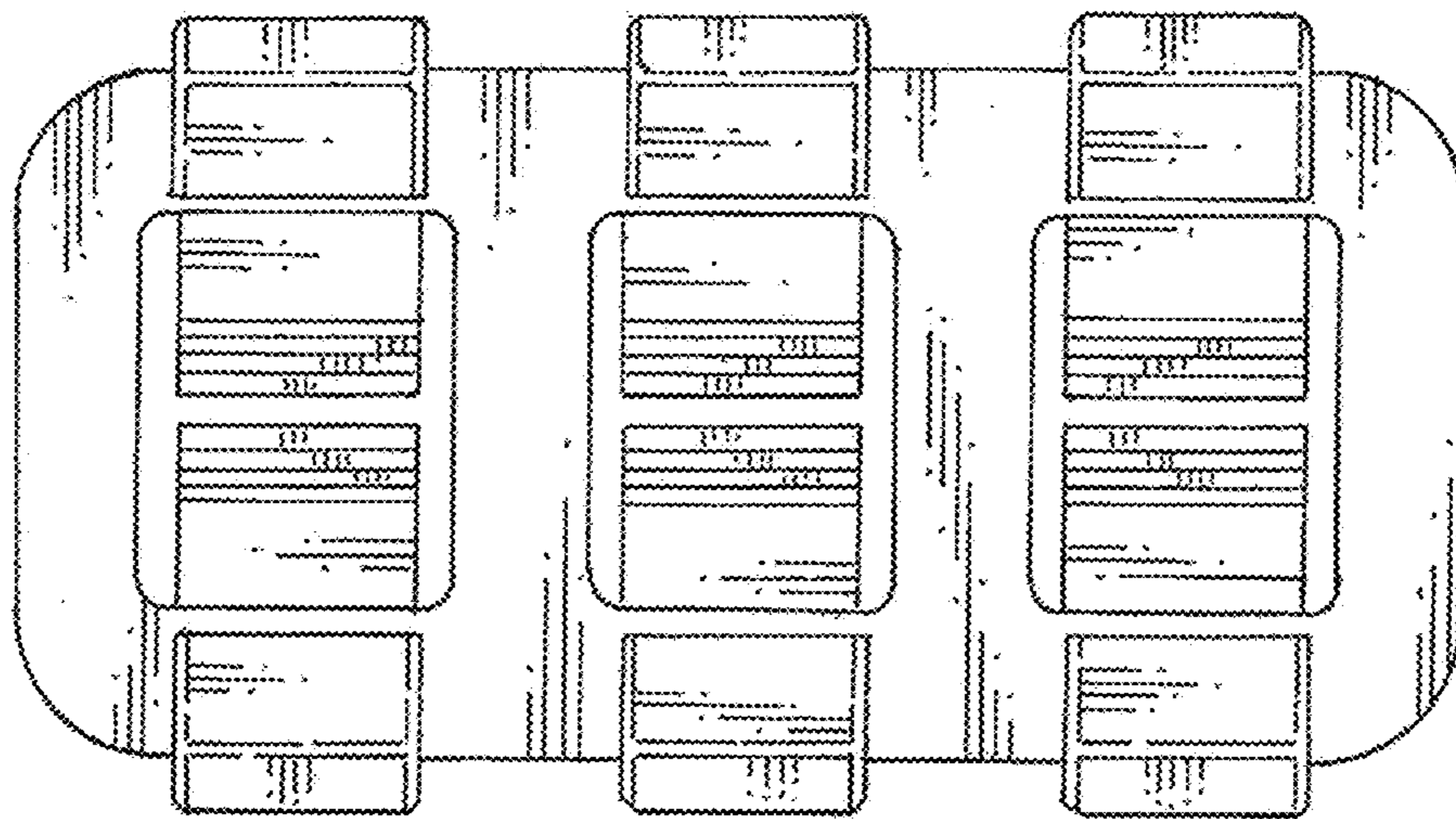


FIG. 3

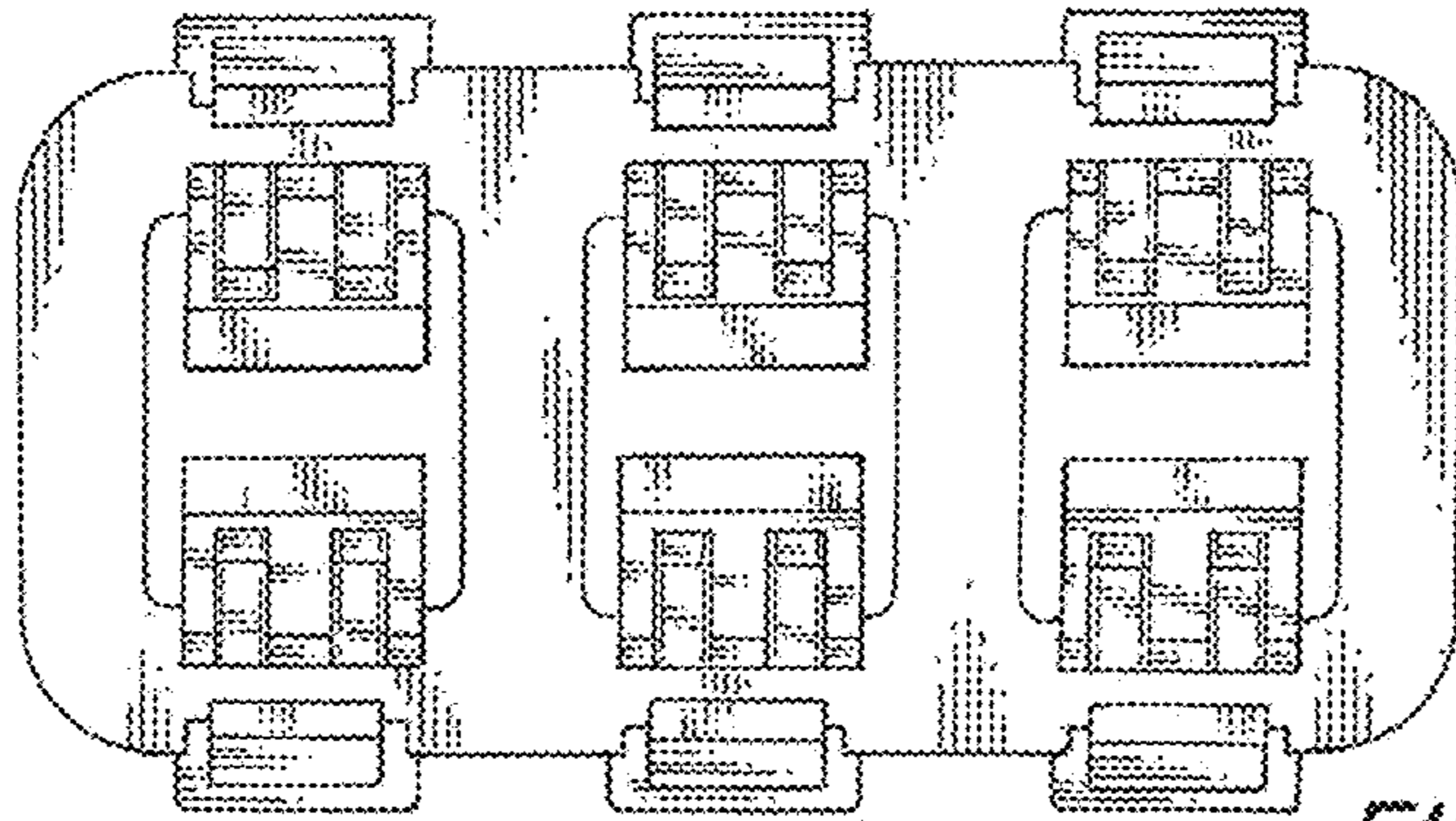


FIG. 4

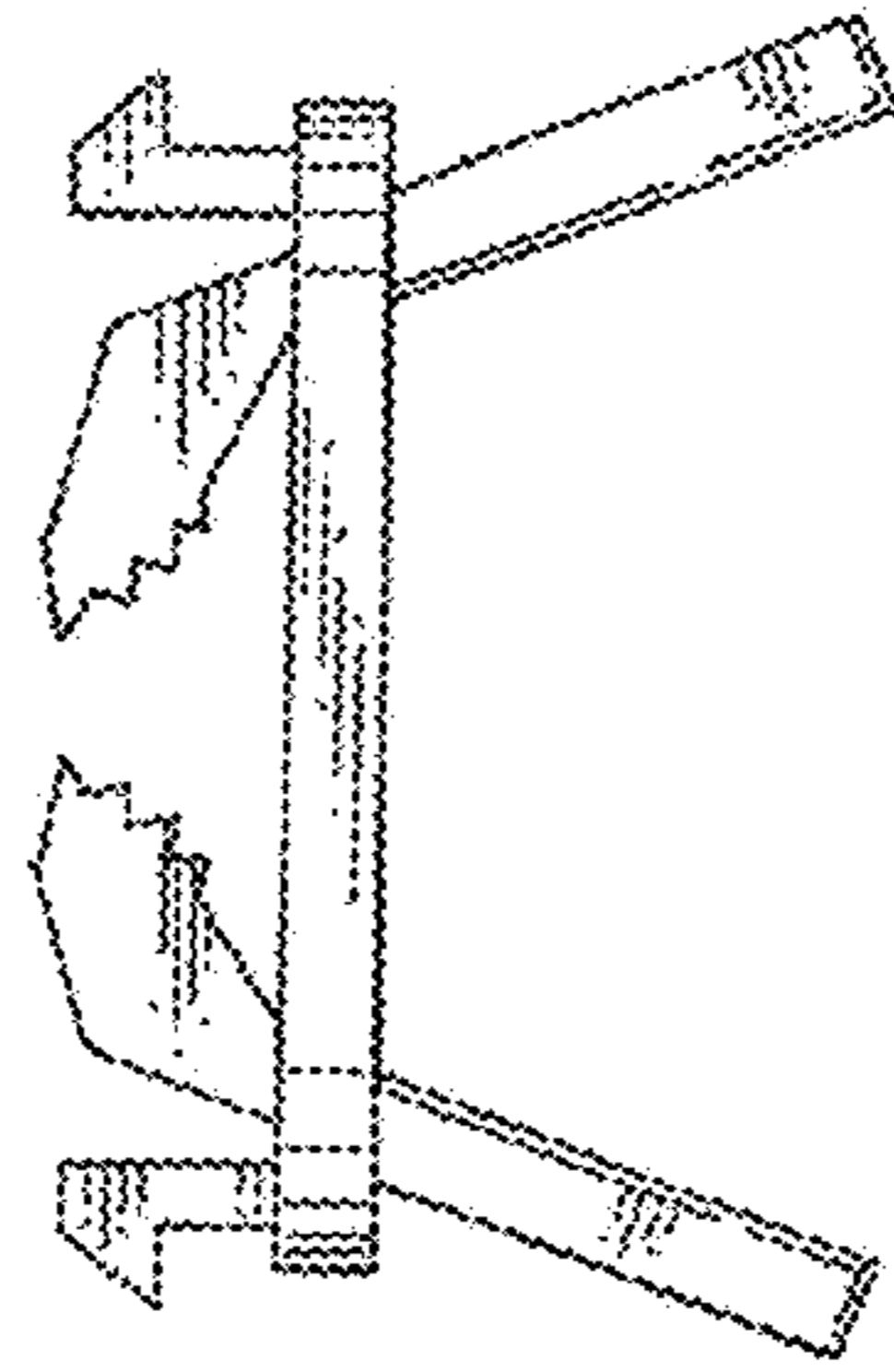


FIG. 5

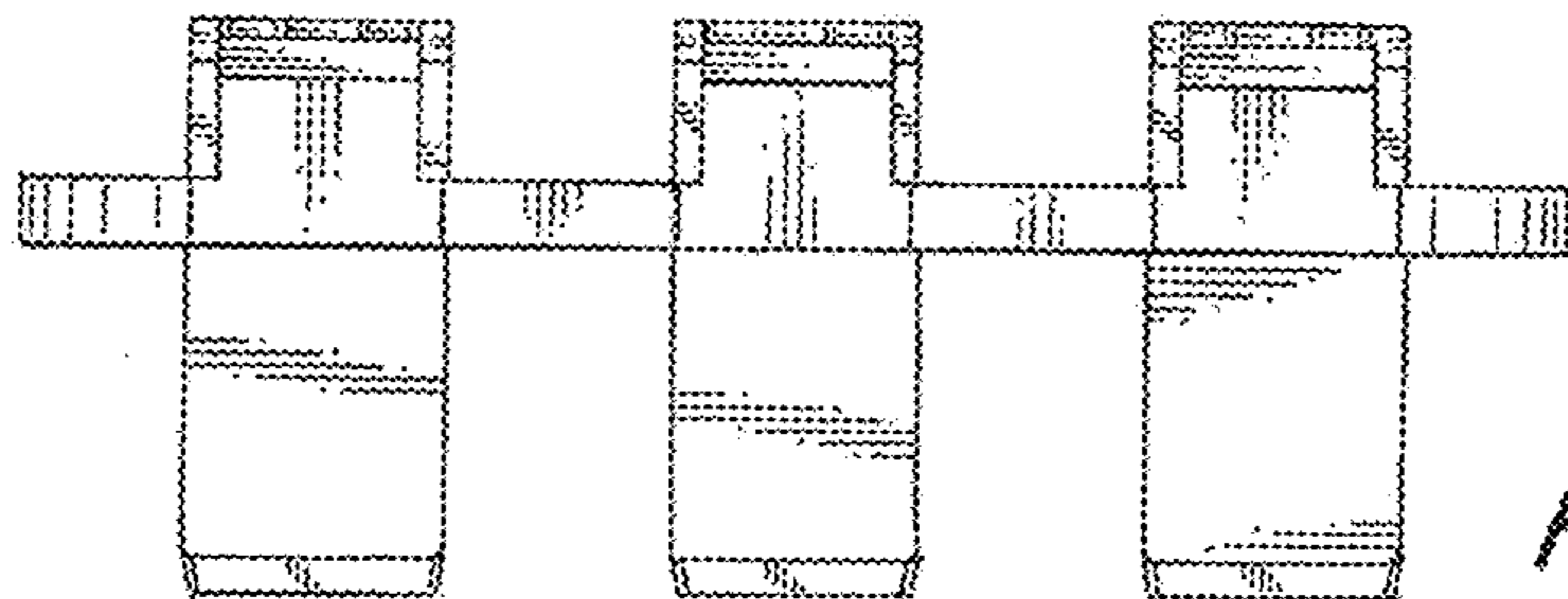


FIG. 6