



US00D795811S

(12) **United States Design Patent**  
**Kawamoto et al.**

(10) **Patent No.:** **US D795,811 S**

(45) **Date of Patent:** **\*\* Aug. 29, 2017**

(54) **POWER PLUG**

(71) Applicant: **Panasonic Intellectual Property Management Co., Ltd.**, Osaka-shi, Osaka (JP)

(72) Inventors: **Takashi Kawamoto**, Mie (JP);  
**Yoshiaki Asakuma**, Osaka (JP)

(73) Assignee: **PANASONIC INTELLECTUAL PROPERTY MANAGEMENT CO., LTD.**, Osaka (JP)

(\*\*) Term: **15 Years**

(21) Appl. No.: **29/566,245**

(22) Filed: **May 27, 2016**

(30) **Foreign Application Priority Data**

Nov. 30, 2015 (JP) ..... 2015-026648

(51) **LOC (10) Cl.** ..... **13-03**

(52) **U.S. Cl.**  
USPC ..... **D13/138.2**

(58) **Field of Classification Search**  
USPC ..... D13/108, 110, 123, 133, 137.1–137.4,  
D13/138.1–138.2, 139.1–139.8, 152–154,  
D13/156, 158, 177; D8/350–353, 331  
CPC .... H01R 25/00; H01R 25/006; H01R 13/642;  
H01R 13/58  
See application file for complete search history.

(56) **References Cited**

**U.S. PATENT DOCUMENTS**

D256,231 S \* 8/1980 Laudig ..... D13/133  
4,563,049 A \* 1/1986 Thibeault ..... H01R 13/502  
439/462

D375,080 S \* 10/1996 Sandor ..... D13/138.2  
D460,735 S \* 7/2002 Verfueth ..... D13/137.4  
D650,335 S \* 12/2011 Akahori ..... D13/138.2  
D651,976 S \* 1/2012 Akahori ..... D13/138.2  
D652,383 S \* 1/2012 Akahori ..... D13/138.2  
D673,112 S \* 12/2012 Zhang ..... D13/108  
8,920,177 B1 \* 12/2014 Hsiao ..... H01R 31/06  
439/13  
9,431,732 B1 \* 8/2016 Baldwin ..... H01R 13/5829  
9,493,083 B1 \* 11/2016 Sumner ..... B60L 11/1818

\* cited by examiner

*Primary Examiner* — Rosemary K Tarcza

*Assistant Examiner* — Christy Nemeth

(74) *Attorney, Agent, or Firm* — Brinks Gilson & Lione

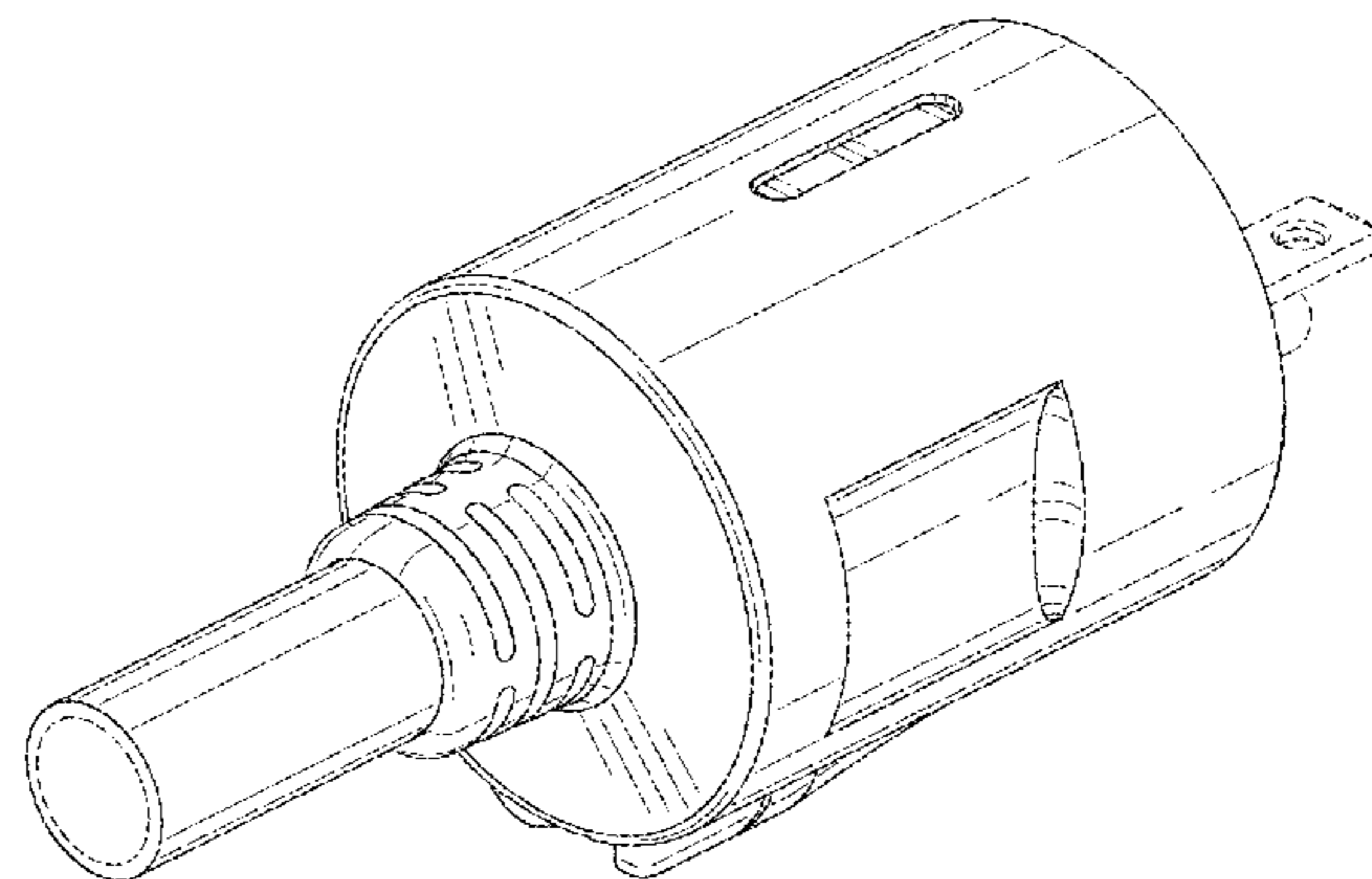
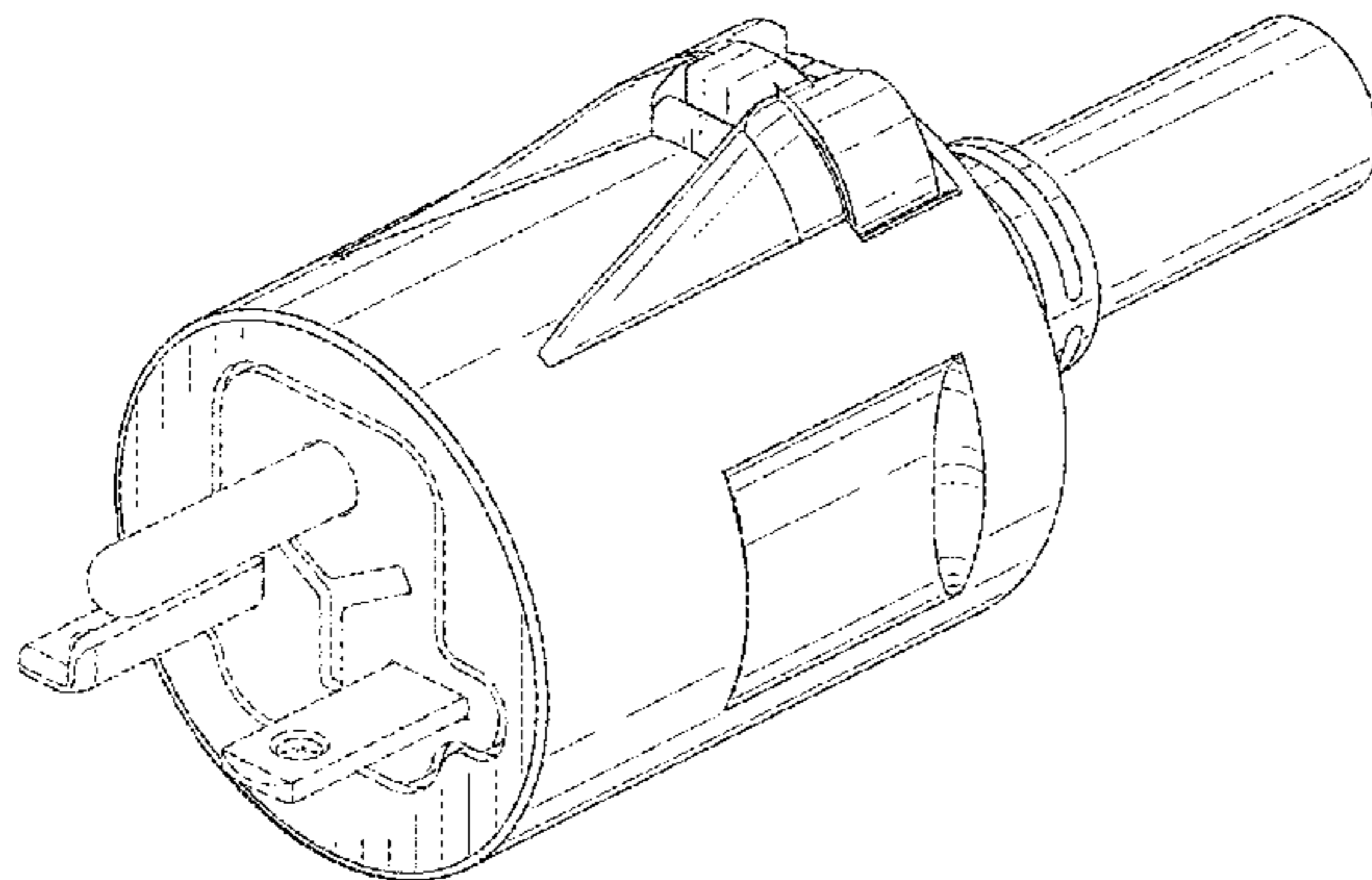
(57) **CLAIM**

We claim the ornamental design for a power plug, as shown and described.

**DESCRIPTION**

FIG. 1 is a front and top perspective view of a power plug of the present invention;  
FIG. 2 is a rear and bottom perspective view thereof;  
FIG. 3 is a first side view thereof;  
FIG. 4 is a second side view thereof;  
FIG. 5 is a rear view thereof;  
FIG. 6 is a front view thereof;  
FIG. 7 is a top view thereof; and,  
FIG. 8 is a bottom view thereof.  
The broken lines in the drawings illustrate subject matter that forms no part of the claimed design.

**1 Claim, 4 Drawing Sheets**



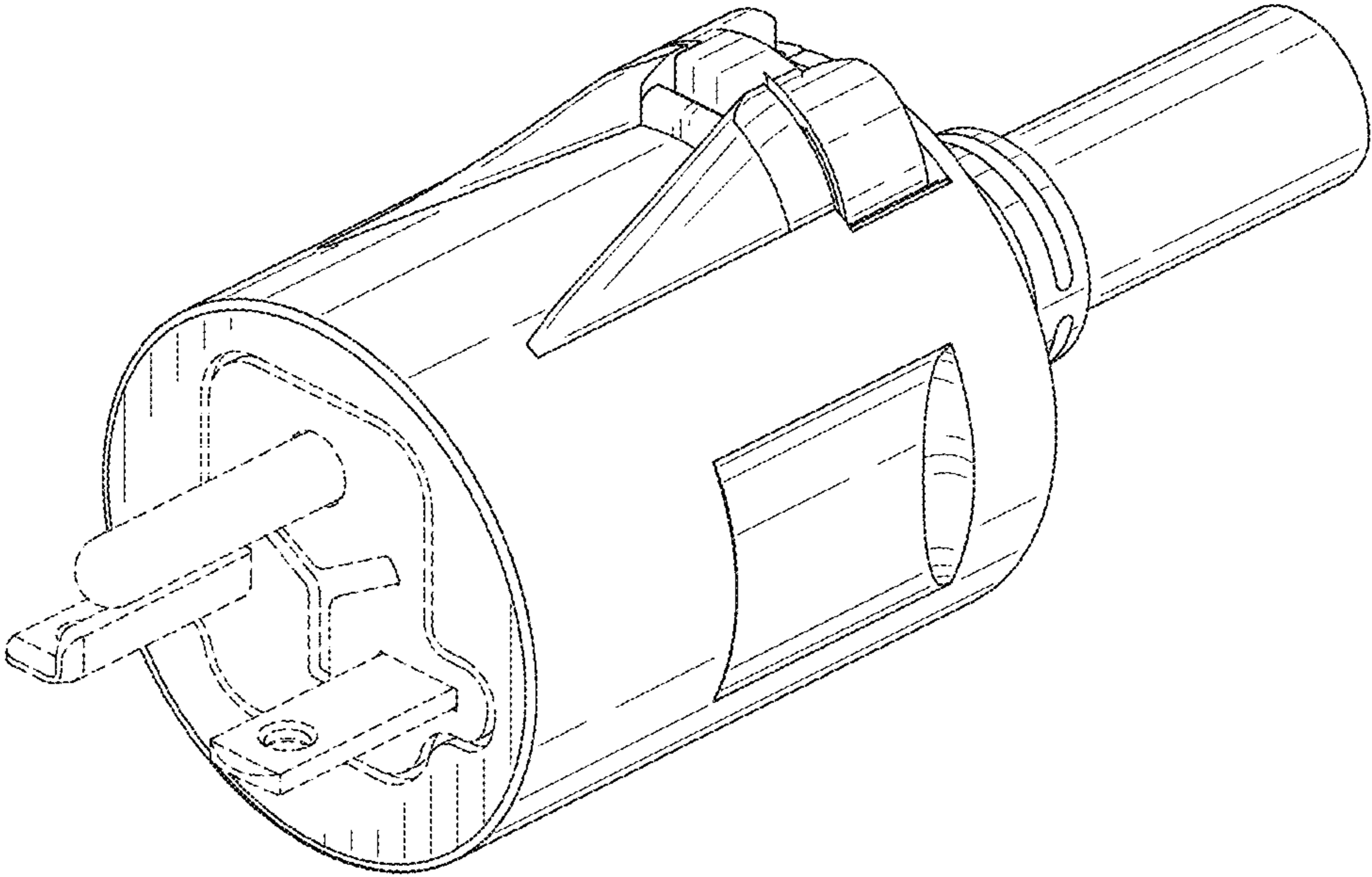


FIG. 1

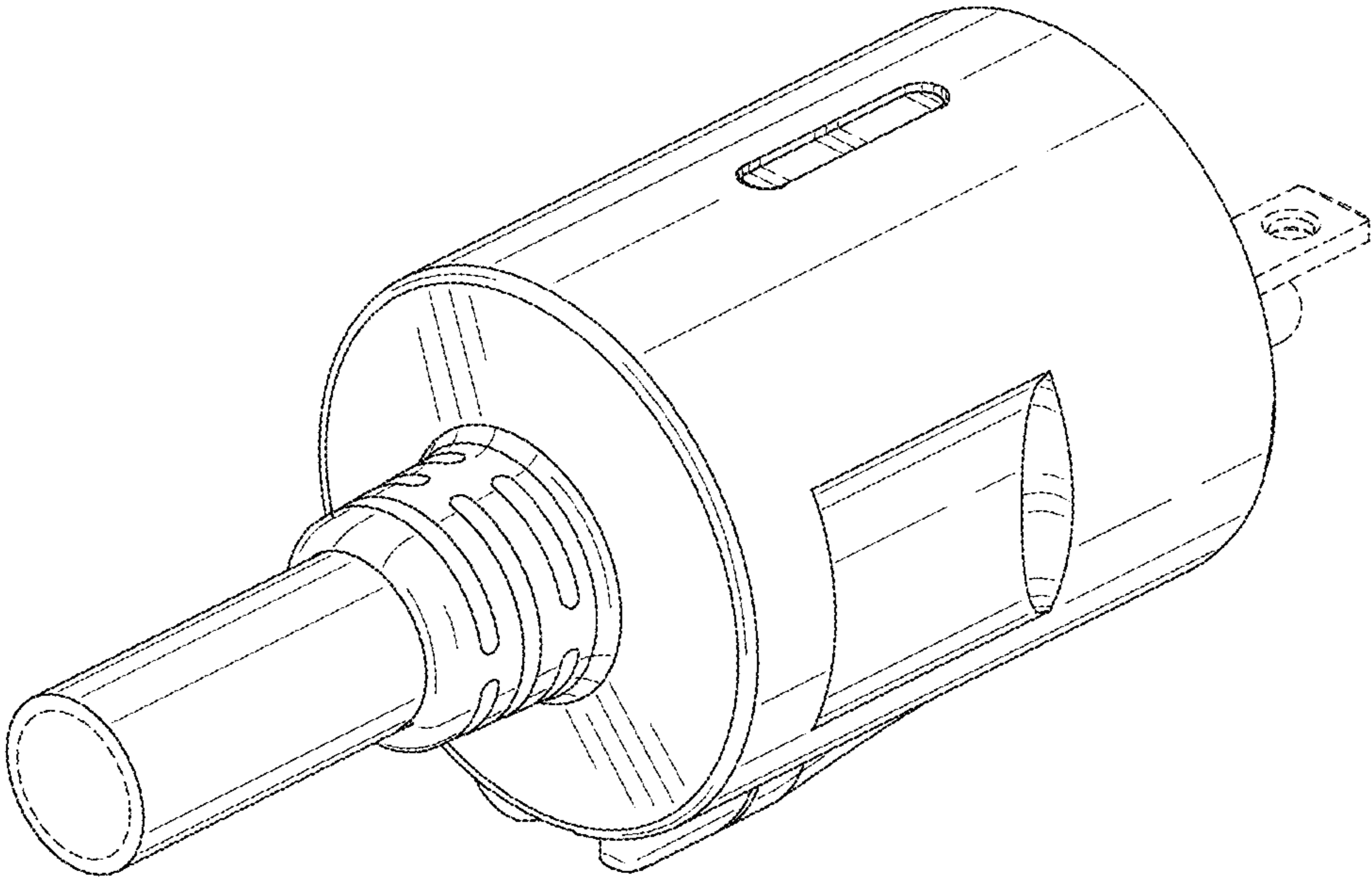


FIG. 2

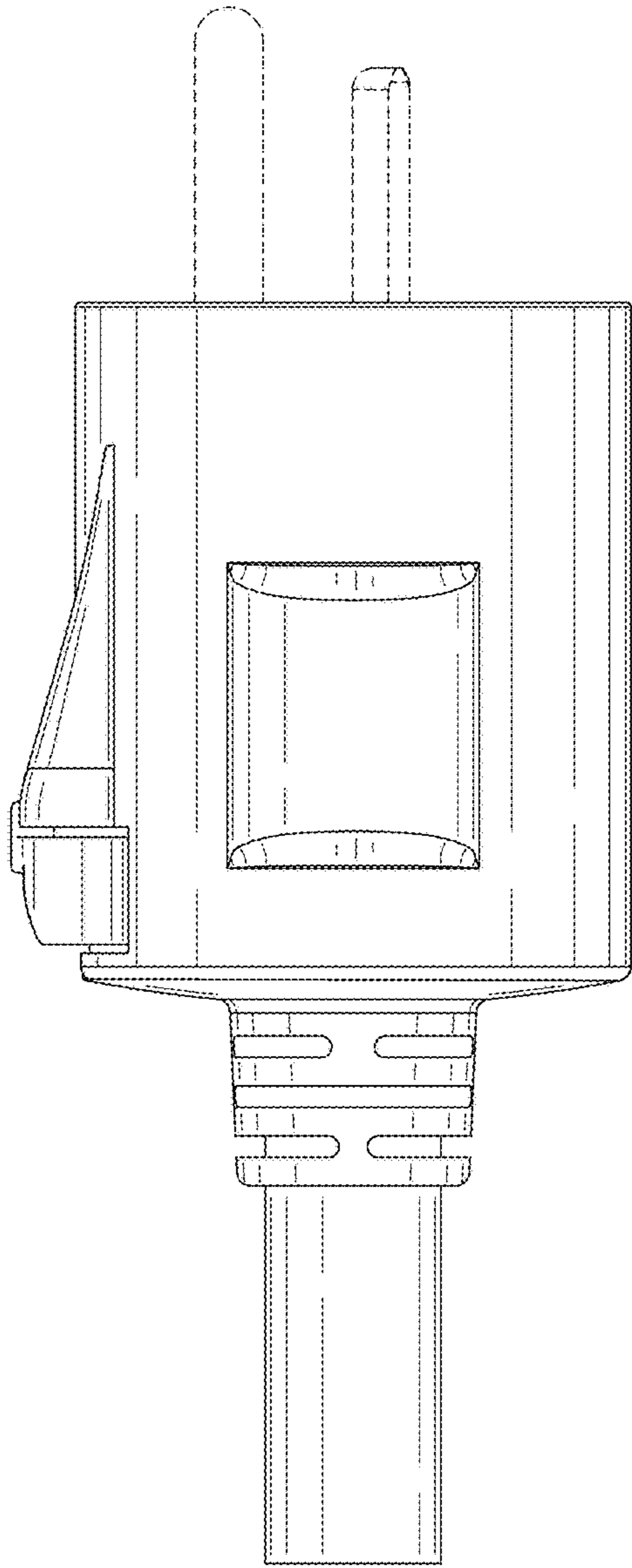


FIG. 3

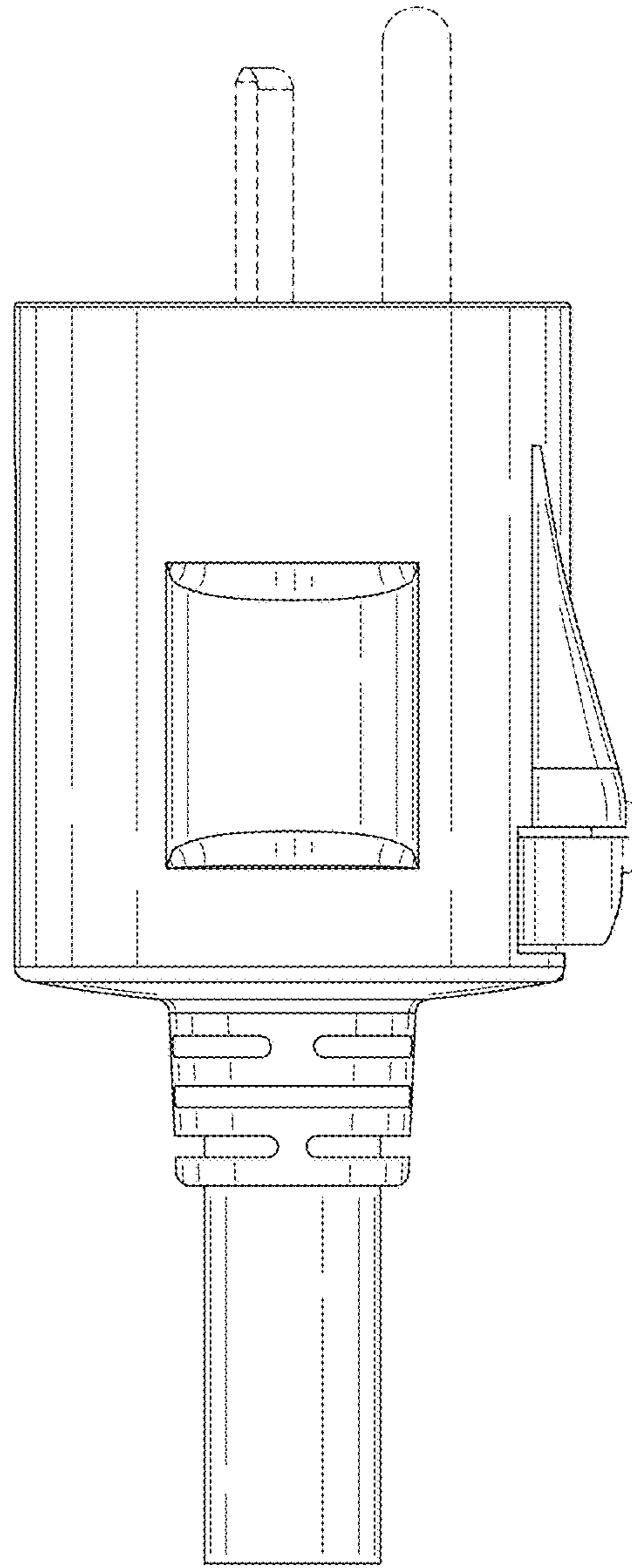


FIG. 4

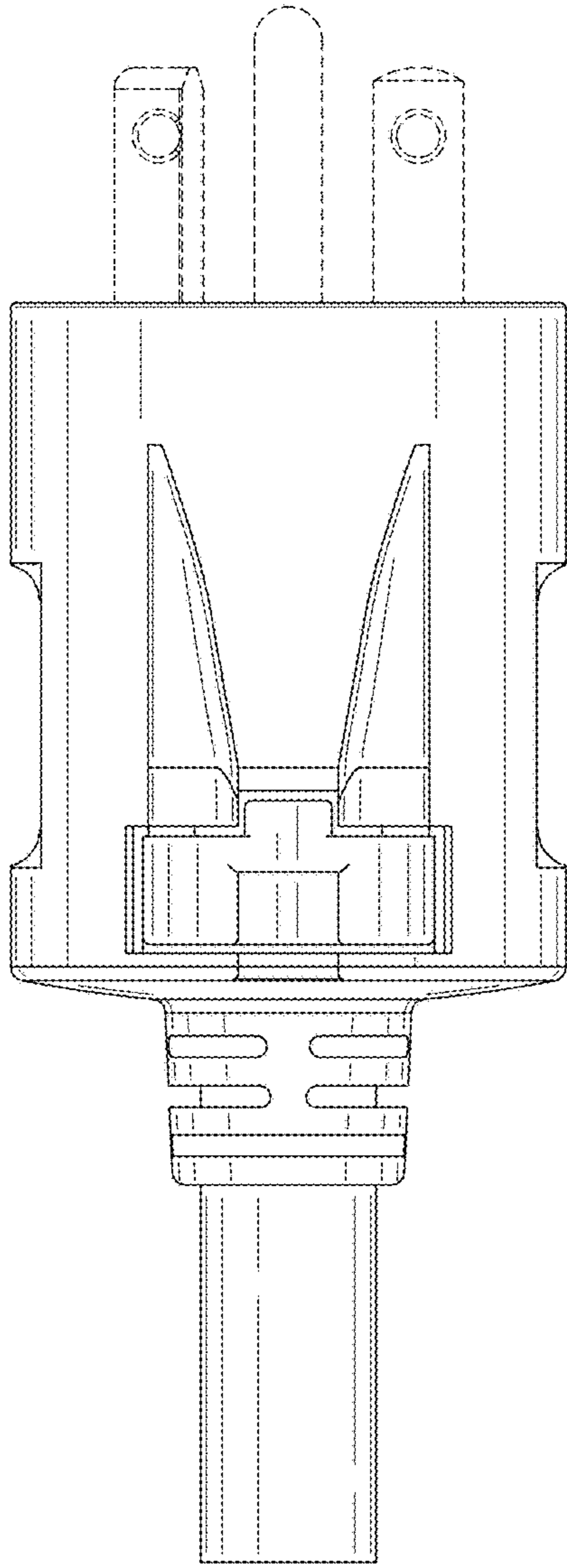


FIG. 5

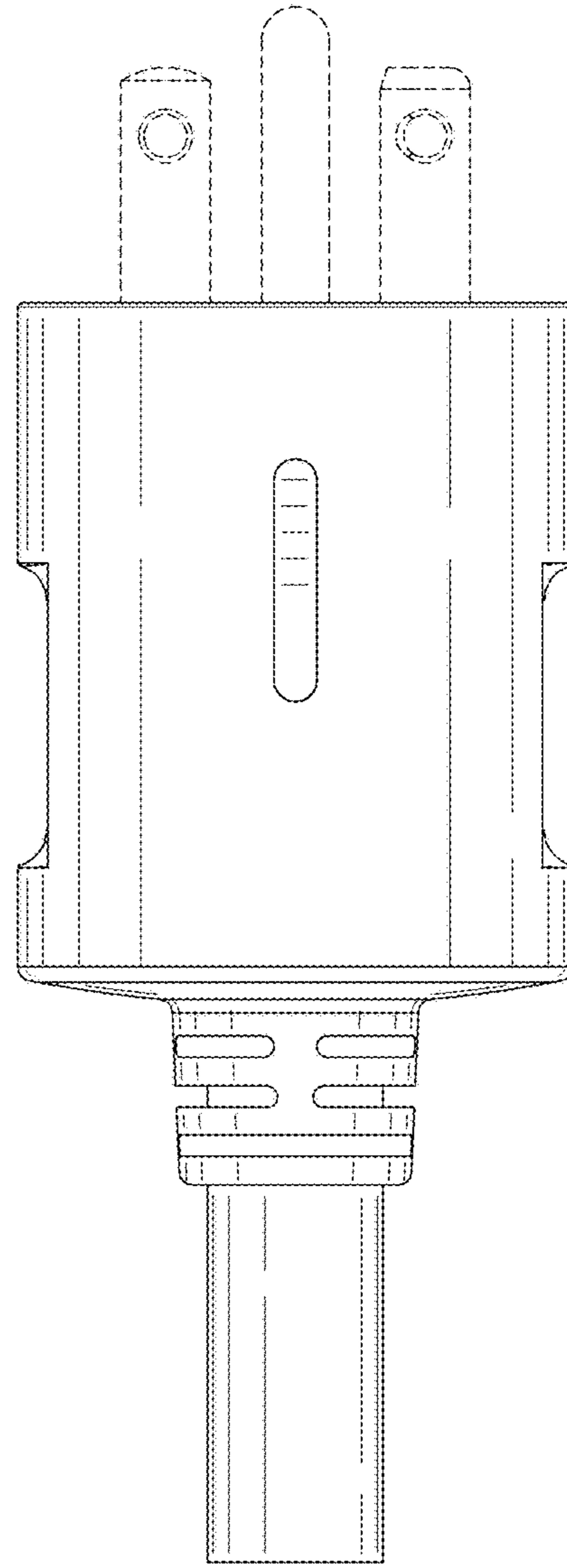


FIG. 6

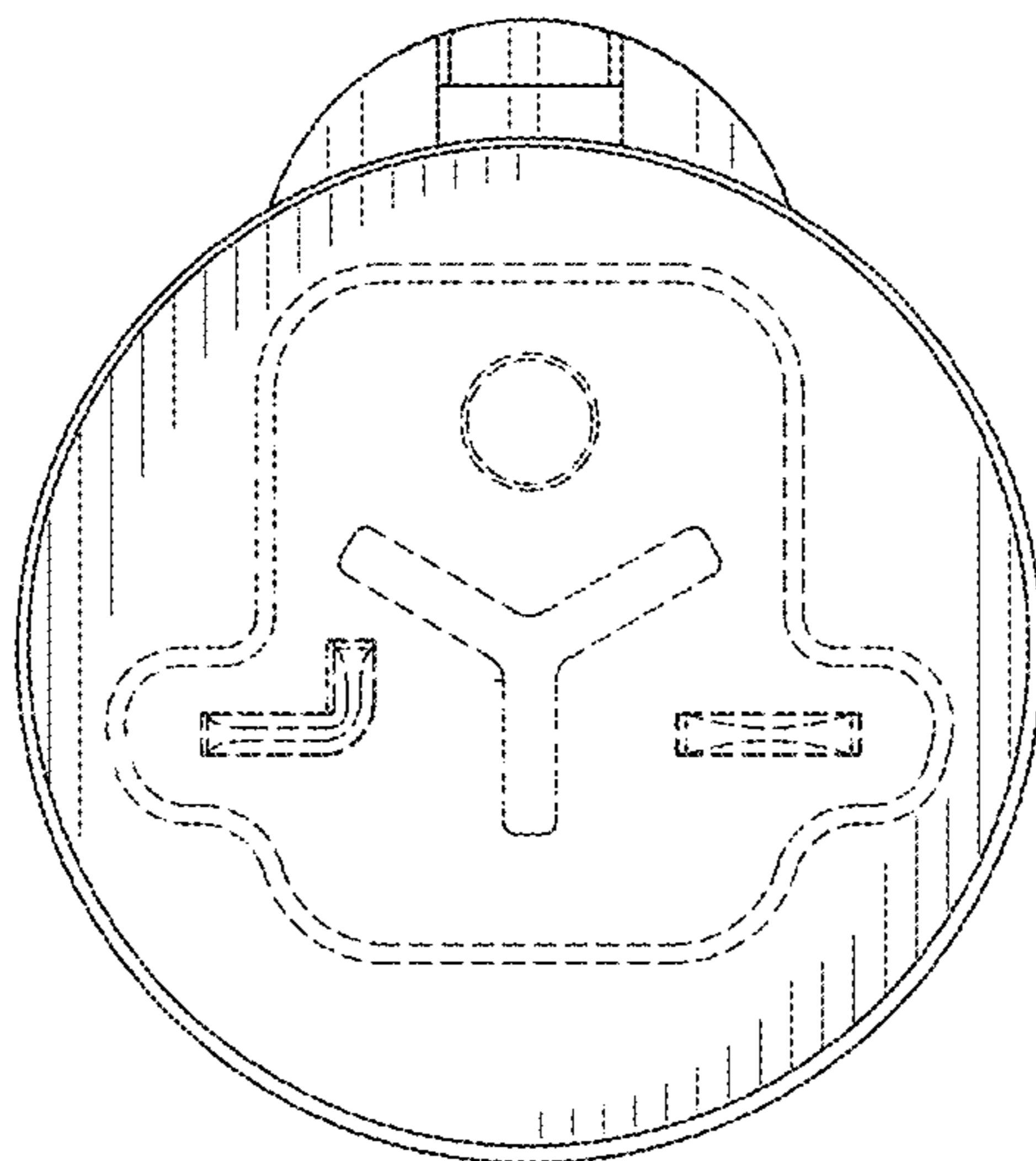


FIG. 7

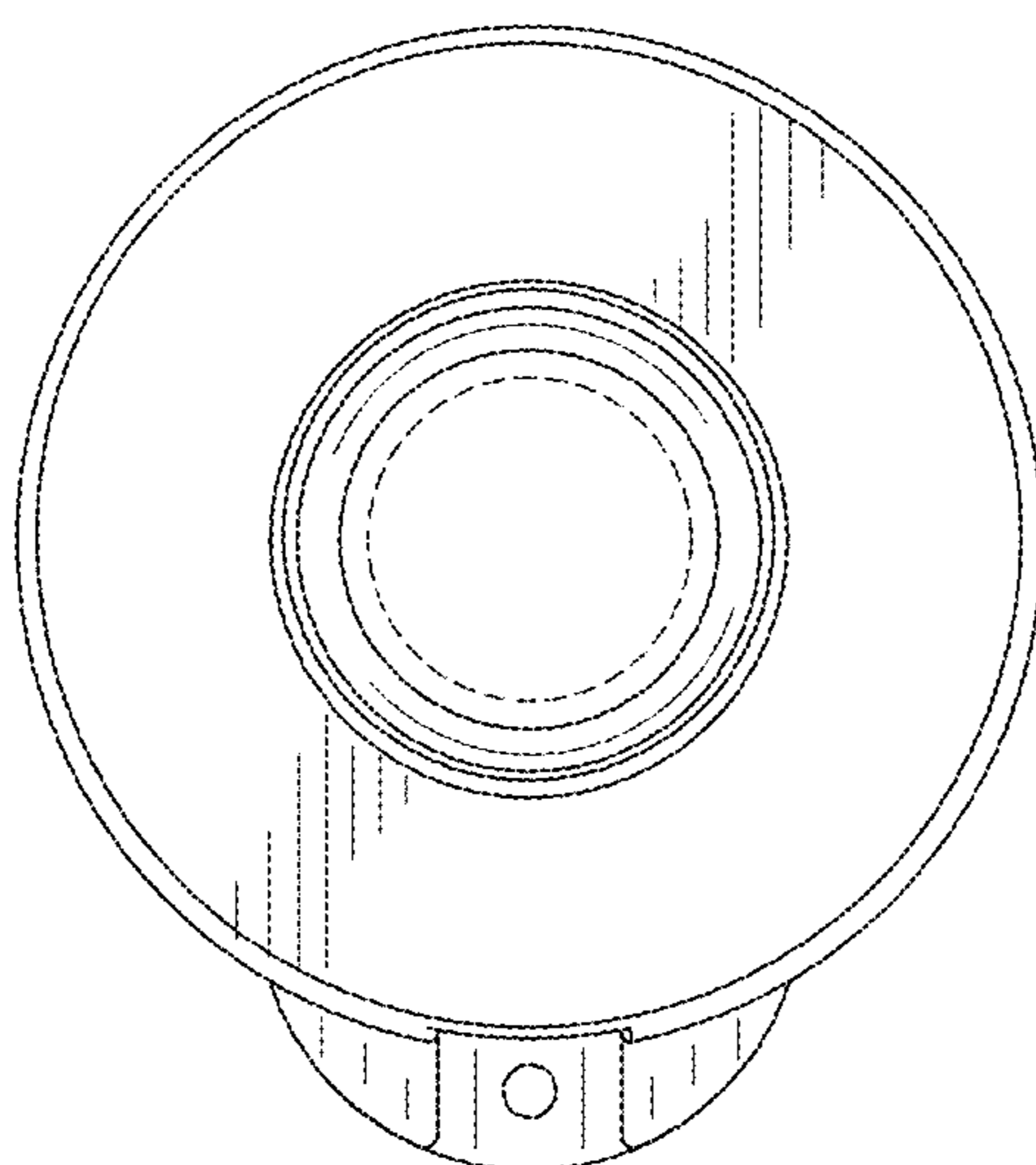


FIG. 8