



US00D795810S

(12) **United States Design Patent**
Kawamoto et al.

(10) **Patent No.:** **US D795,810 S**

(45) **Date of Patent:** **** Aug. 29, 2017**

(54) **POWER PLUG**

(71) Applicant: **Panasonic Intellectual Property Management Co., Ltd.**, Osaka-shi, Osaka (JP)

(72) Inventors: **Takashi Kawamoto**, Mie (JP);
Yoshiaki Asakuma, Osaka (JP)

(73) Assignee: **PANASONIC INTELLECTUAL PROPERTY MANAGEMENT CO., LTD.**, Osaka (JP)

(**) Term: **15 Years**

(21) Appl. No.: **29/566,236**

(22) Filed: **May 27, 2016**

(30) **Foreign Application Priority Data**

Nov. 30, 2015 (JP) 2015-026647

(51) **LOC (10) Cl.** **13-03**

(52) **U.S. Cl.**
USPC **D13/138.2**

(58) **Field of Classification Search**

USPC D13/108, 110, 123, 133, 137.1–137.4,
D13/138.1–138.2, 139.1–139.8, 152–154,
D13/156, 158, 177; D8/350–353, 331
CPC H01R 25/00; H01R 25/006; H01R 13/642;
H01R 13/58

See application file for complete search history.

(56) **References Cited**

U.S. PATENT DOCUMENTS

D256,231 S * 8/1980 Laudig D13/133
4,563,049 A * 1/1986 Thibeault H01R 13/502
439/462

D375,080 S * 10/1996 Sandor D13/138.2
D460,735 S * 7/2002 Verfueth D13/137.4
D650,335 S * 12/2011 Akahori D13/138.2
D651,976 S * 1/2012 Akahori D13/138.2
D652,383 S * 1/2012 Akahori D13/138.2
D673,112 S * 12/2012 Zhang D13/108
8,920,177 B1 * 12/2014 Hsiao H01R 31/06
439/13
9,431,732 B1 * 8/2016 Baldwin H01R 13/5829
9,493,083 B1 * 11/2016 Sumner B60L 11/1818

* cited by examiner

Primary Examiner — Rosemary K Tarcza

Assistant Examiner — Christy Nemeth

(74) *Attorney, Agent, or Firm* — Brinks Gilson & Lione

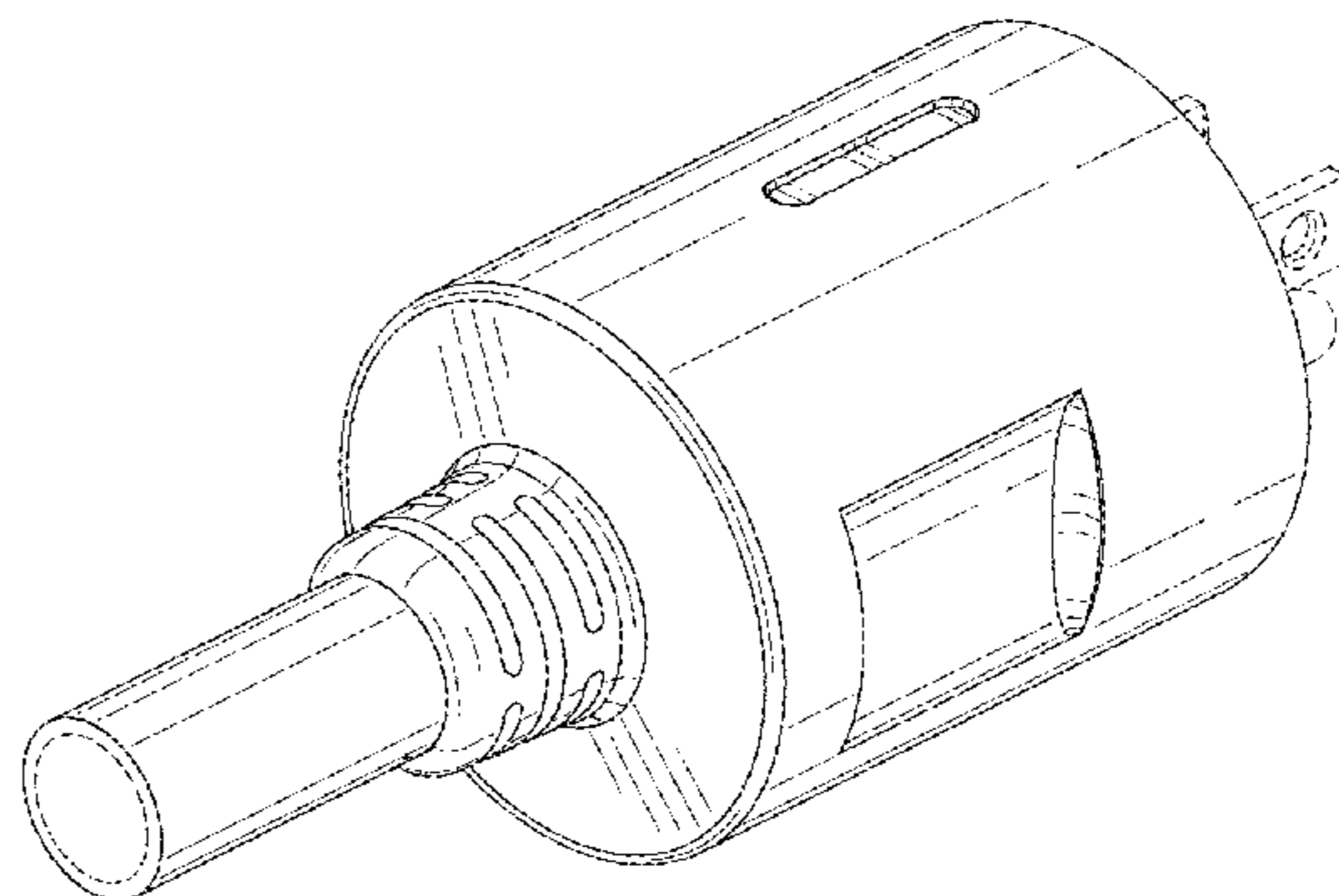
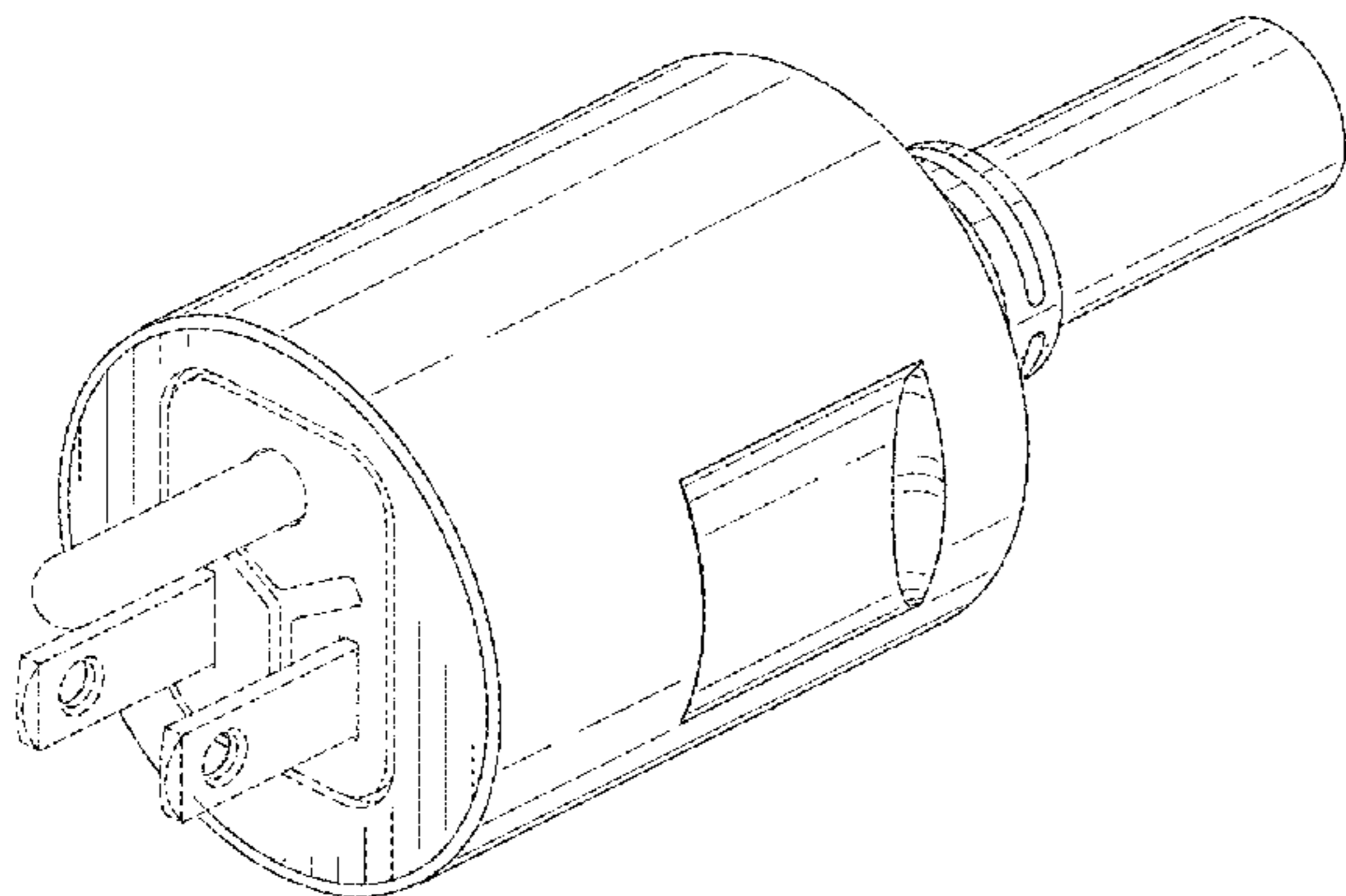
(57) **CLAIM**

We claim the ornamental design for a power plug, as shown and described.

DESCRIPTION

FIG. 1 is a front and top perspective view of a power plug of the present invention;
FIG. 2 is a rear and bottom perspective view thereof;
FIG. 3 is a first side view thereof;
FIG. 4 is a second side view thereof;
FIG. 5 is a rear view thereof;
FIG. 6 is a front view thereof;
FIG. 7 is a top view thereof; and,
FIG. 8 is a bottom view thereof.
The broken lines in the drawings illustrate subject matter that forms no part of the claimed design.

1 Claim, 4 Drawing Sheets



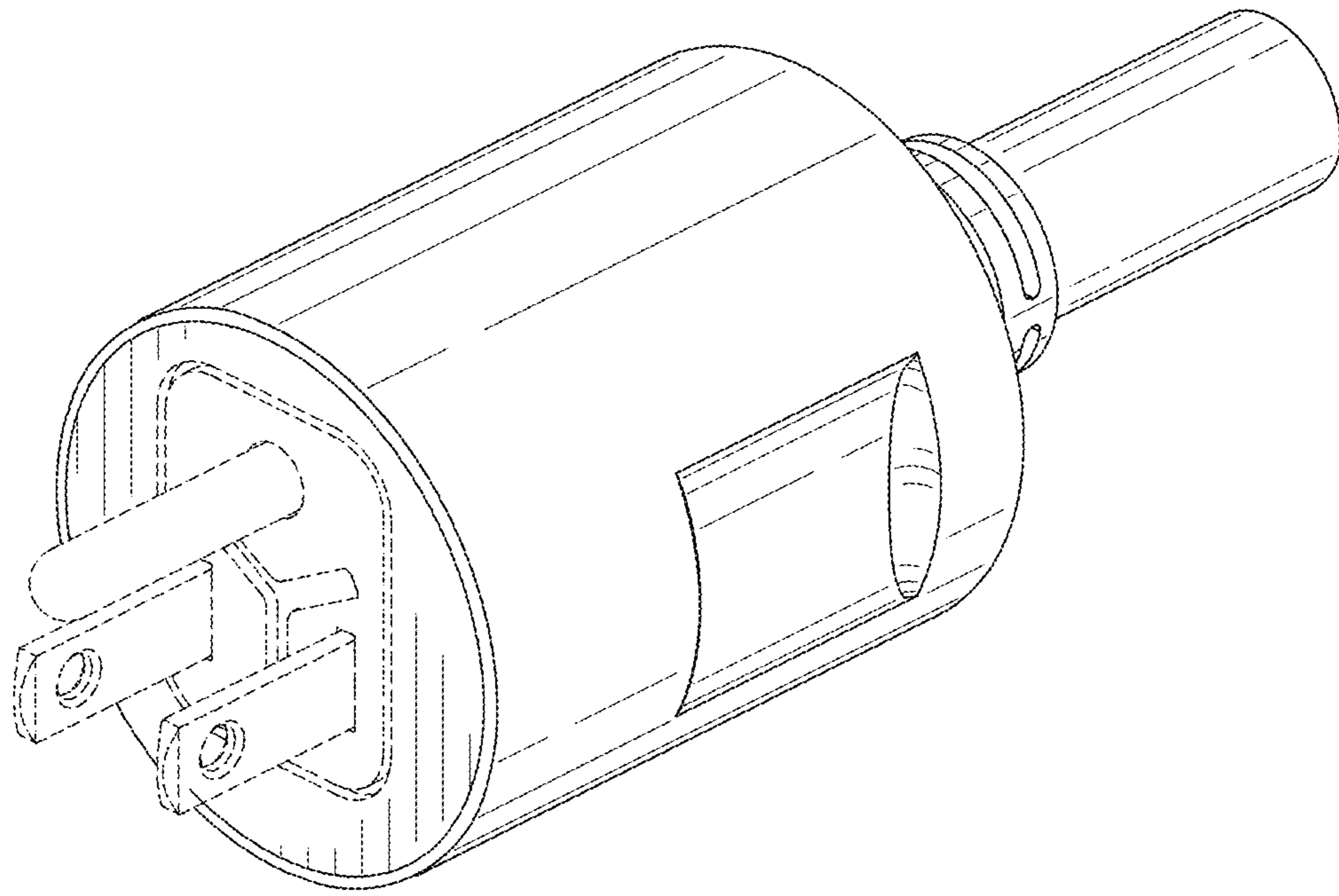


FIG. 1

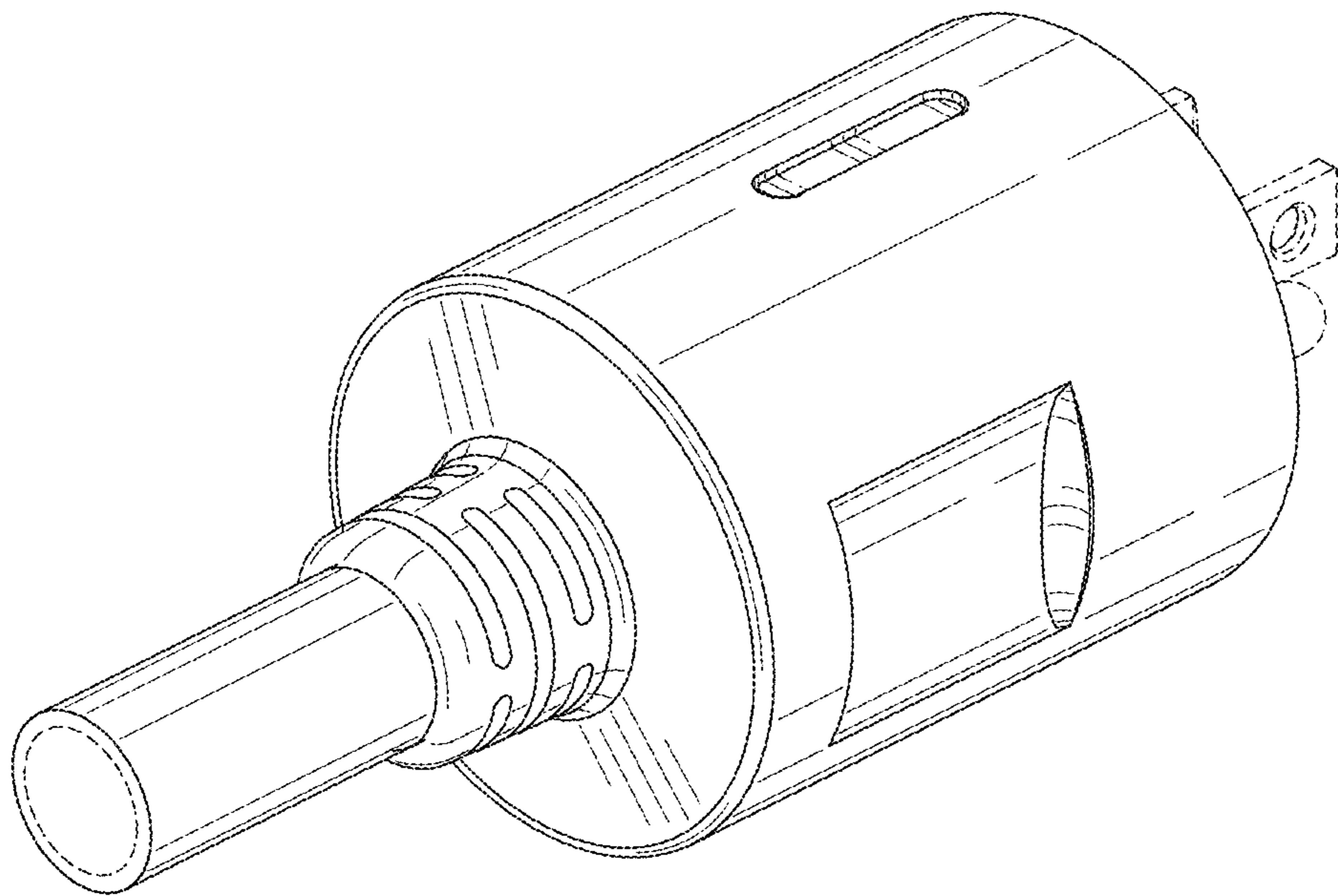


FIG. 2

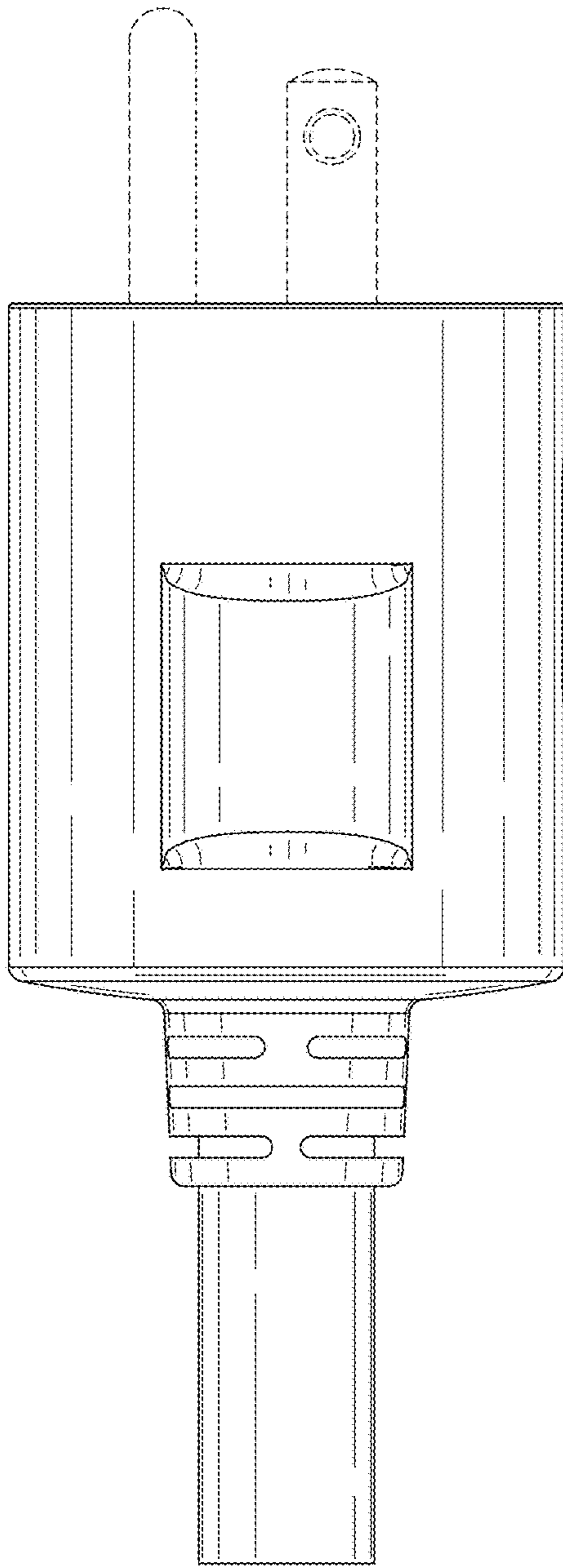


FIG. 3

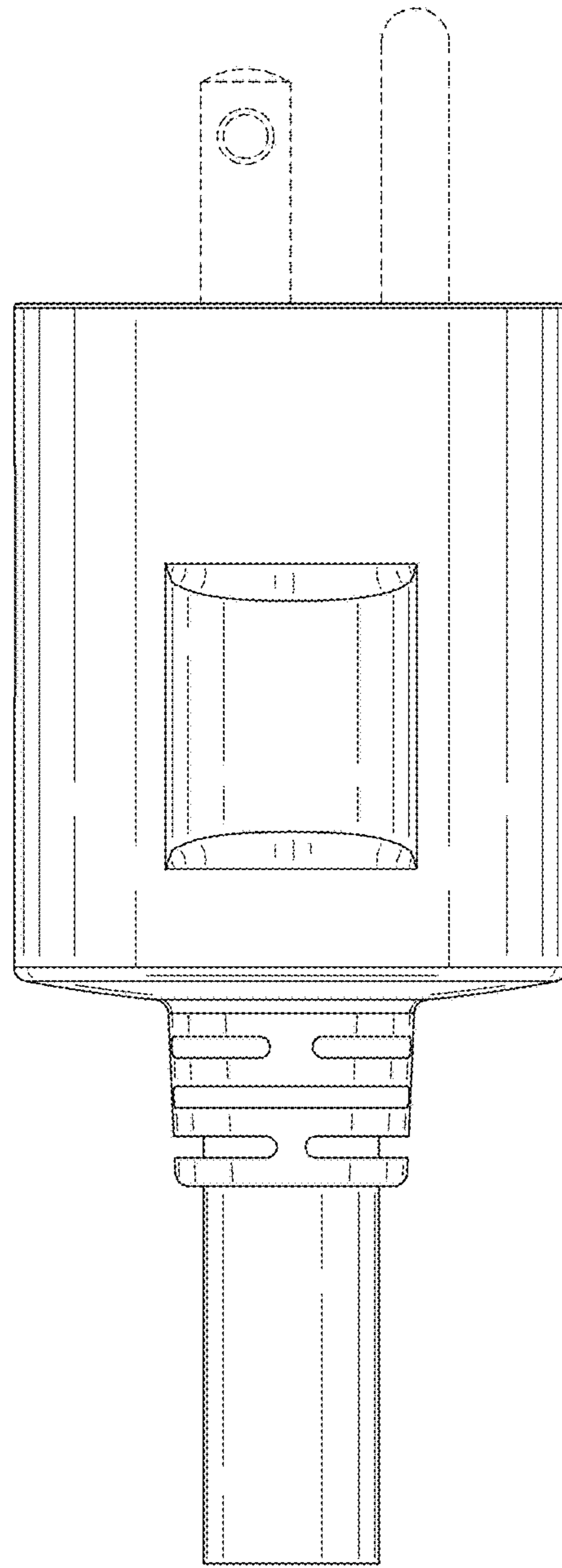


FIG. 4

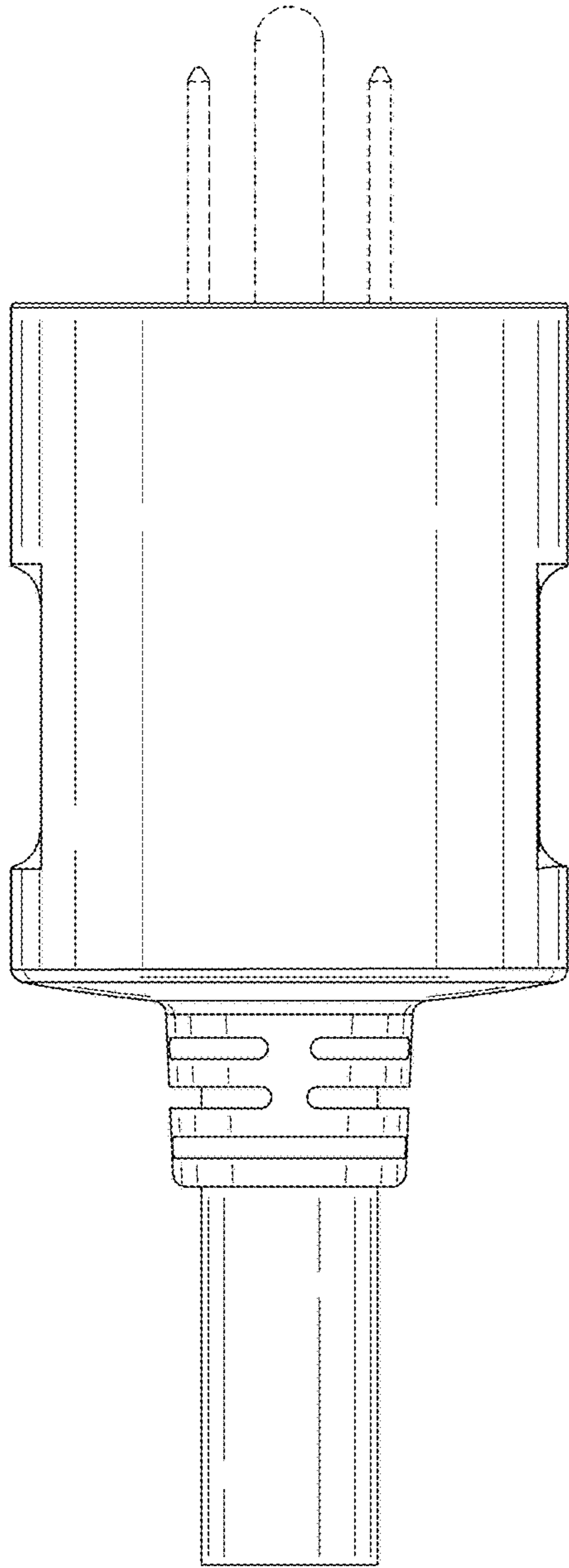


FIG. 5

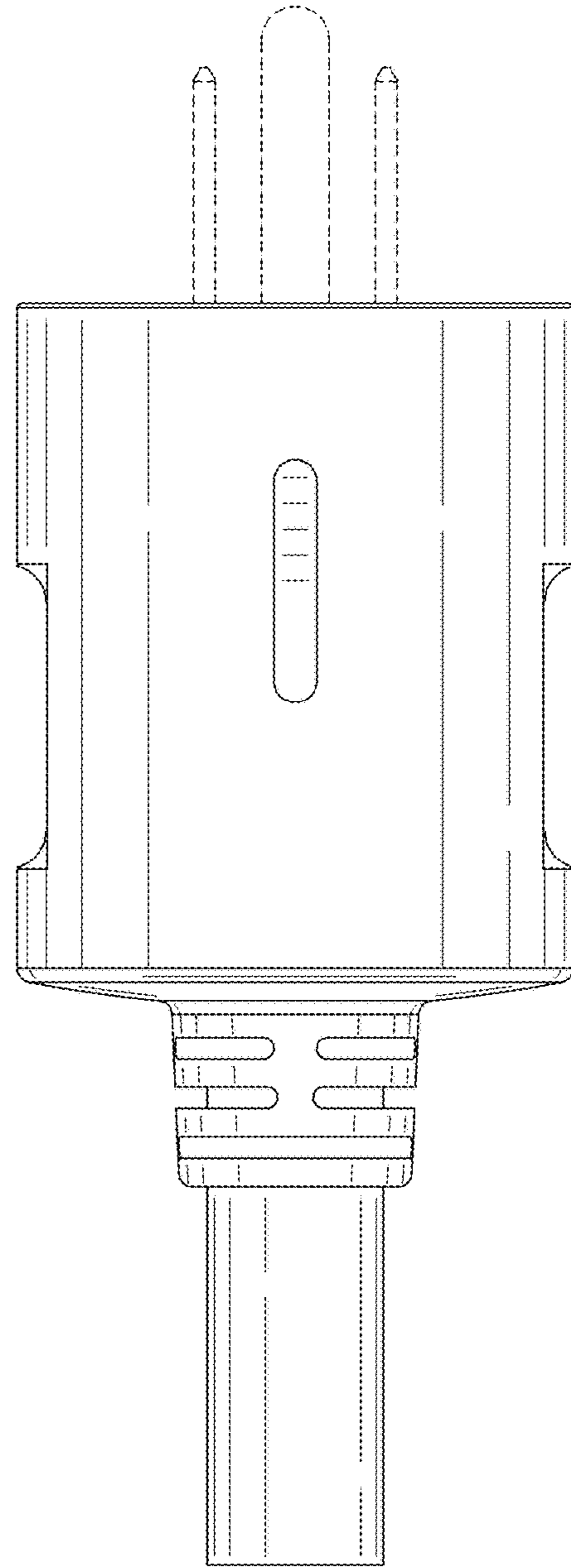


FIG. 6

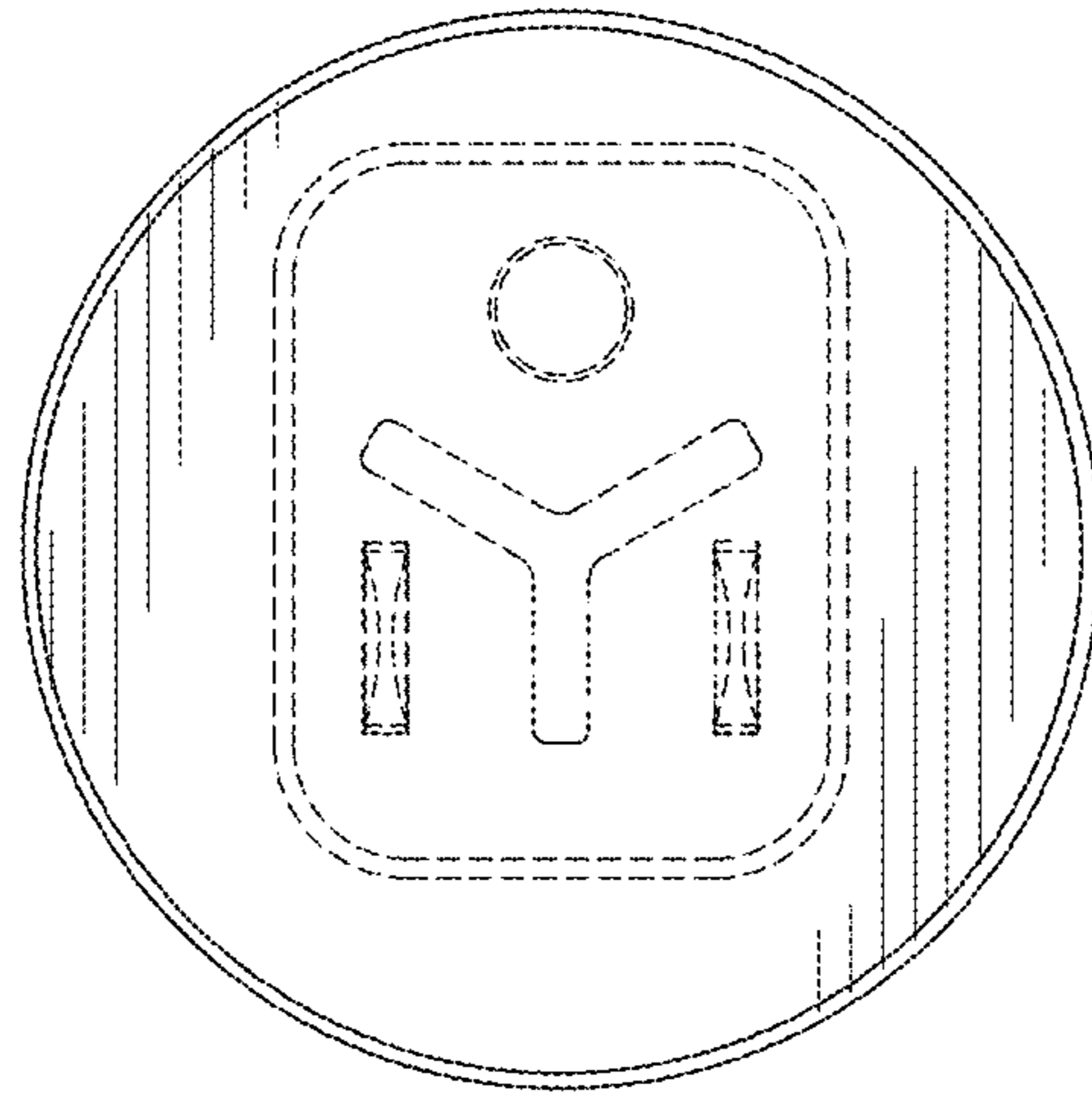


FIG. 7

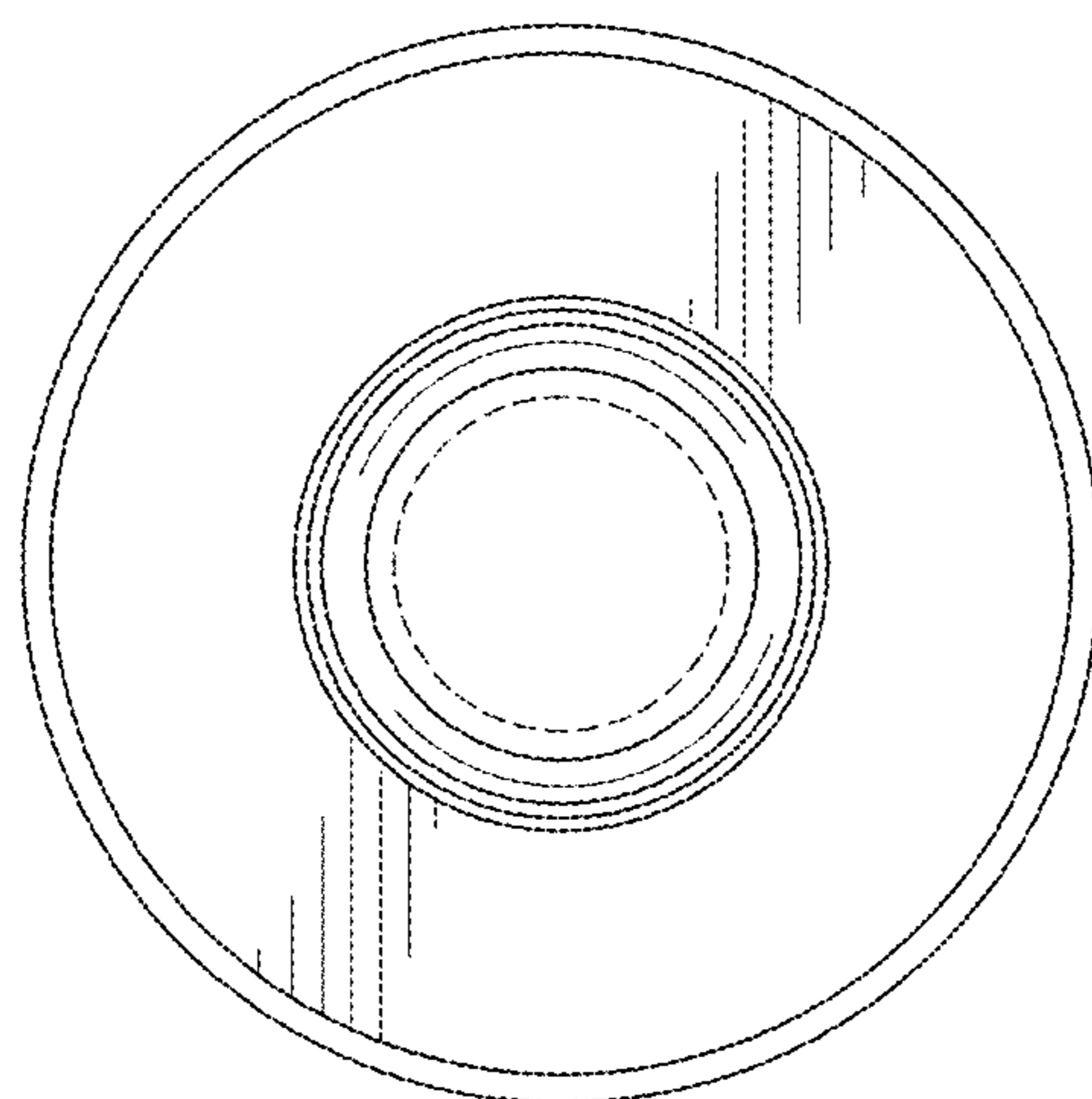


FIG. 8