



US00D795808S

(12) **United States Design Patent** (10) **Patent No.:** **US D795,808 S**  
**Mayor et al.** (45) **Date of Patent:** **\*\* Aug. 29, 2017**

(54) **ELECTRIC MOTOR CASING**  
(71) Applicants: **J. Rhett Mayor**, Braselton, GA (US);  
**Sumari Mayor**, Braselton, GA (US)  
(72) Inventors: **J. Rhett Mayor**, Braselton, GA (US);  
**Sumari Mayor**, Braselton, GA (US)  
(\*\*) Term: **15 Years**  
(21) Appl. No.: **29/566,035**  
(22) Filed: **May 26, 2016**  
(51) **LOC (10) Cl.** ..... **13-01**  
(52) **U.S. Cl.**  
USPC ..... **D13/122**  
(58) **Field of Classification Search**  
USPC ..... D13/122, 112, 113, 114, 199; D15/3, 5,  
D15/199; 74/606 R, 609; 310/10, 40 R,  
310/42, 51, 58, 71, 80, 83, 85, 89, 91,  
310/109, 236, 239, 254; 318/245, 255  
CPC .. H02K 5/04; H02K 5/10; H02K 5/22; H02K  
5/148; H02K 29/14; H02P 6/06; F28F  
1/20  
See application file for complete search history.

(56) **References Cited**  
U.S. PATENT DOCUMENTS  
D236,985 S \* 9/1975 Baumann ..... D13/112  
D336,890 S \* 6/1993 Hirose ..... D13/112  
D578,063 S \* 10/2008 Lannoch ..... D13/112  
D593,945 S \* 6/2009 Lannoch ..... D13/112  
D680,072 S \* 4/2013 Marshall ..... D13/112  
\* cited by examiner

*Primary Examiner* — Derrick Holland  
(74) *Attorney, Agent, or Firm* — Kundu PLLC

(57) **CLAIM**  
The ornamental design for an electric motor casing, as shown and described.

**DESCRIPTION**  
FIG. 1 is a perspective view of an electric motor casing showing our new design;  
FIG. 2 is a front view thereof;  
FIG. 3 is a side view thereof; and,  
FIG. 4 is a top view thereof.  
The broken lines shown represent unclaimed subject matter and form no part of the claimed design.

**1 Claim, 4 Drawing Sheets**

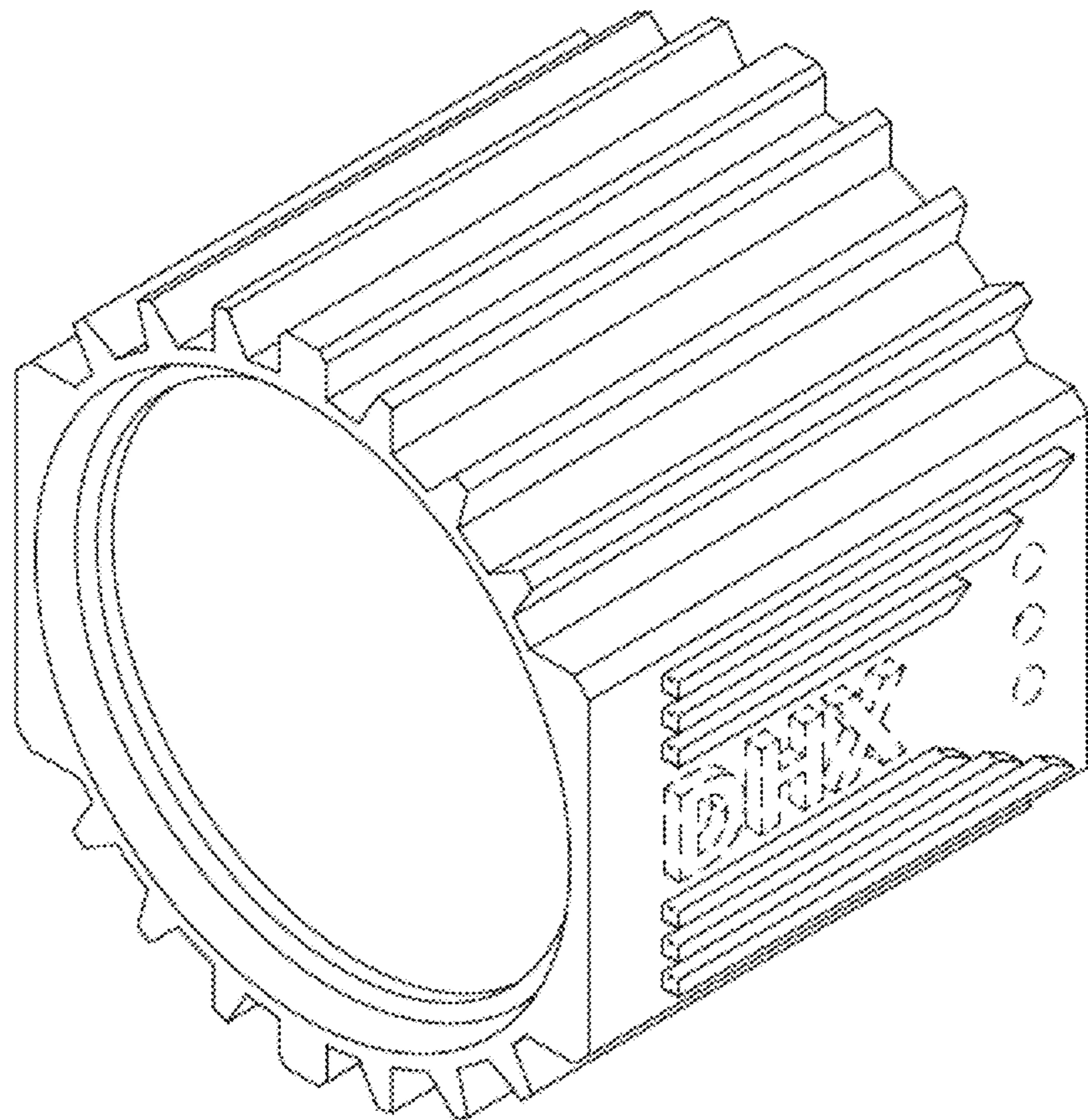


FIG. 1

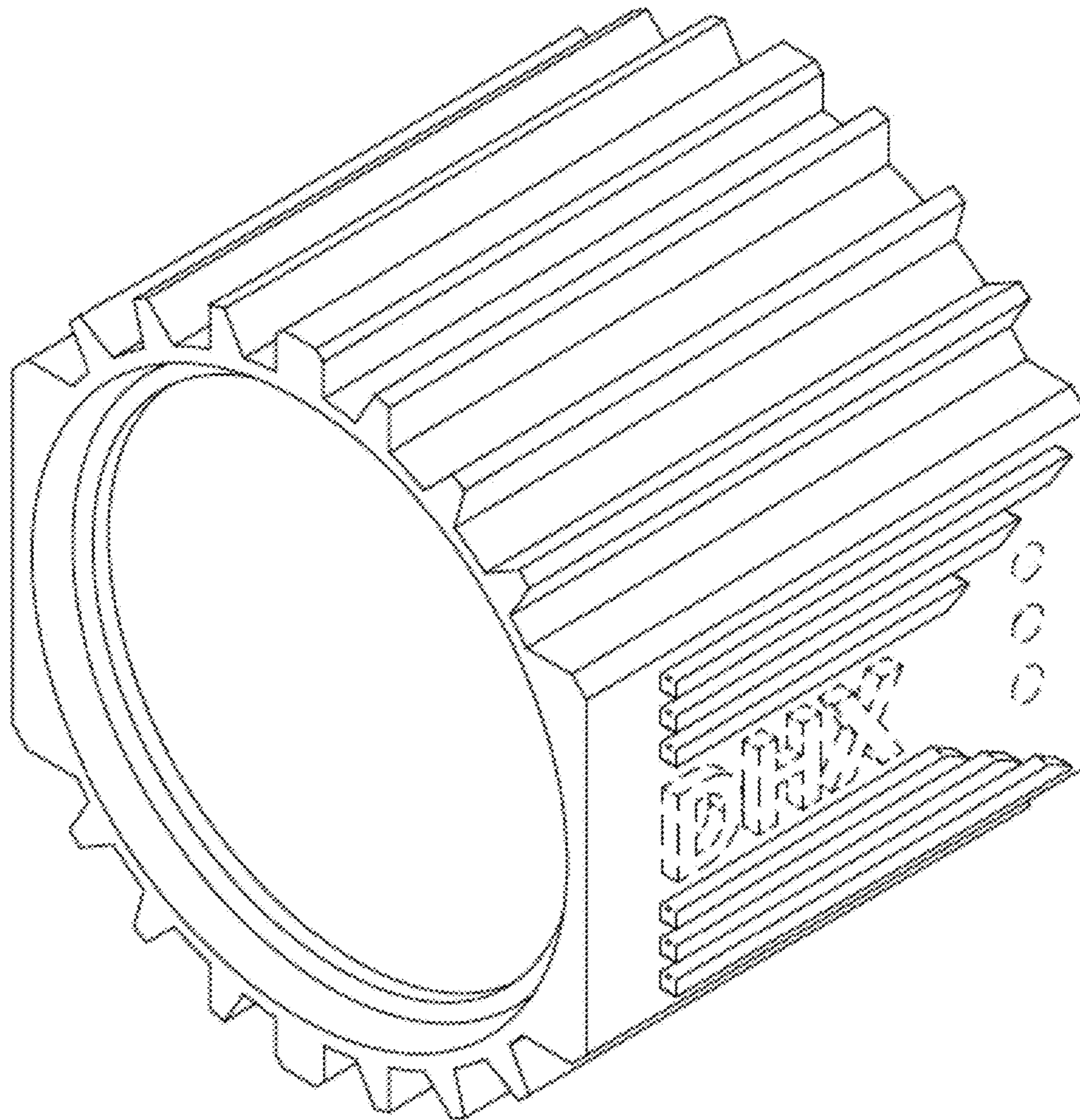


FIG. 2

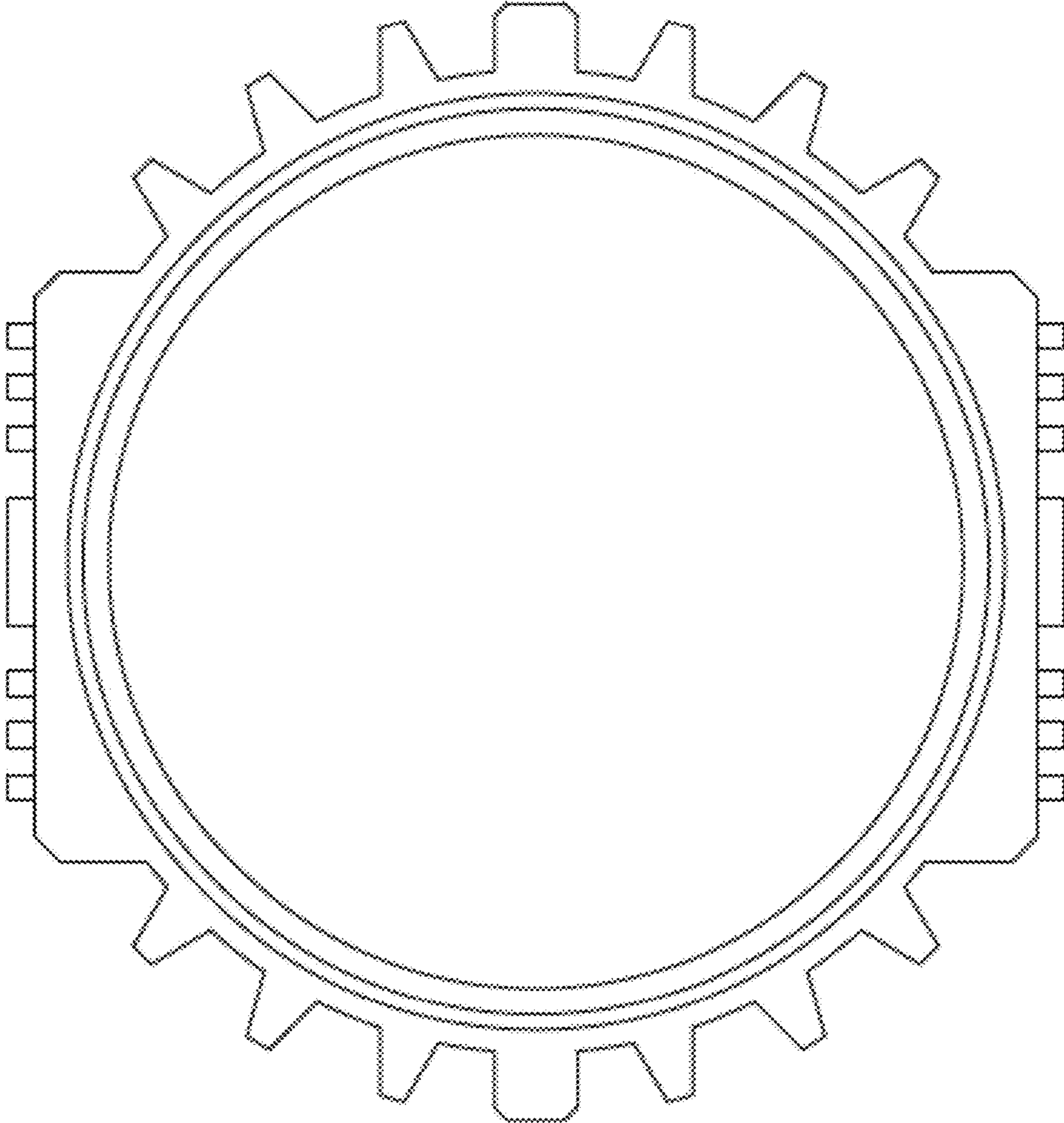




FIG. 3

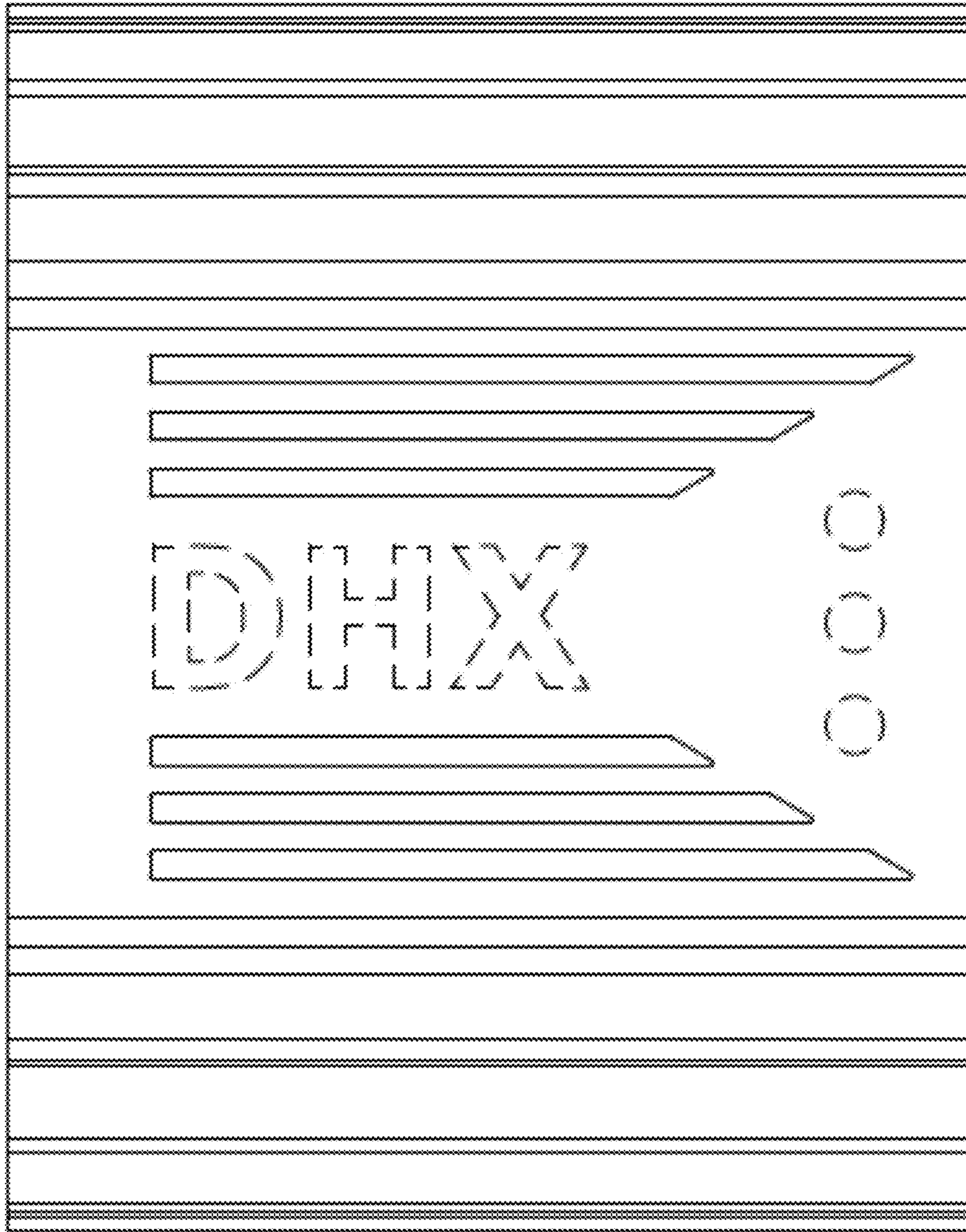


FIG. 4

