



US00D795806S

(12) **United States Design Patent**
Delmaere

(10) **Patent No.:** **US D795,806 S**

(45) **Date of Patent:** **** Aug. 29, 2017**

(54) **CURRENT TRANSDUCER**
(71) Applicant: **LEM INTELLECTUAL PROPERTY SA, Fribourg (CH)**
(72) Inventor: **Christophe Delmaere, Yvoire (FR)**
(**) Term: **15 Years**
(21) Appl. No.: **35/500,814**
(22) Filed: **Oct. 14, 2015**

D613,686 S * 4/2010 Mueller D13/110
D684,927 S * 6/2013 Sage D13/110
D685,325 S * 7/2013 Hayashi D13/110
D685,734 S * 7/2013 Sage D13/110
D686,156 S * 7/2013 Ye D13/110
D686,989 S * 7/2013 Hayashi D13/110
D688,626 S * 8/2013 Ye D13/110
D742,842 S * 11/2015 Hayashi D13/182
D751,034 S * 3/2016 Ye D13/110
D766,180 S * 9/2016 Morel D13/110
D769,190 S * 10/2016 Sid D13/110
D769,817 S * 10/2016 Sid D13/110
2015/0309082 A1 * 10/2015 Labbe G01R 15/207
324/117 R

(80) **Hague Agreement Data**

Int. Filing Date: **Oct. 14, 2015**
Int. Reg. No.: **DM/088530**
Int. Reg. Date: **Oct. 14, 2015**
Int. Reg. Pub. Date: **Apr. 15, 2016**

* cited by examiner

Primary Examiner — Darlington Ly

(51) **LOC (10) Cl.** **13-02**
(52) **U.S. Cl.**
USPC **D13/110**

(57) **CLAIM**

The ornamental design for a current transducer, as shown and described.

(58) **Field of Classification Search**
USPC D13/110, 101, 117, 123, 124, 159, 184,
D13/199; D10/75; D14/222
CPC H04R 2499/11; H04R 1/28; A61B
17/320068; B06B 1/0618; G01L 19/147;
G01R 15/241
See application file for complete search history.

DESCRIPTION

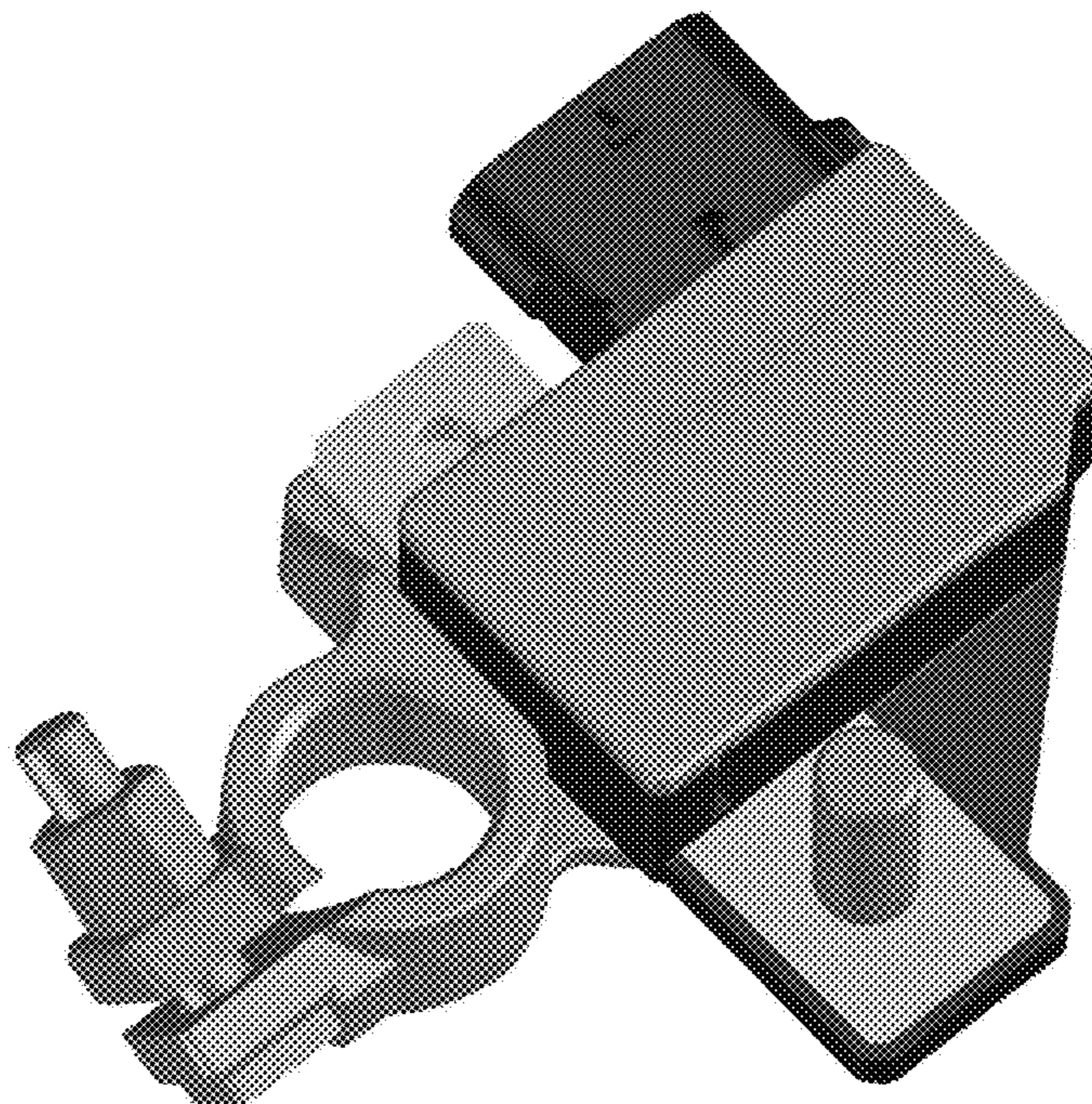
1.1 is a top, front, and right side perspective view of a current transducer showing our new design;
1.2 is a bottom, rear, and left side perspective view thereof;
1.3 is a front elevation view thereof;
1.4 is a rear elevation view thereof;
1.5 is a top plan view thereof;
1.6 is a bottom plan view thereof;
1.7 is a left side elevation view thereof; and
1.8 is a right side elevation view thereof.

(56) **References Cited**

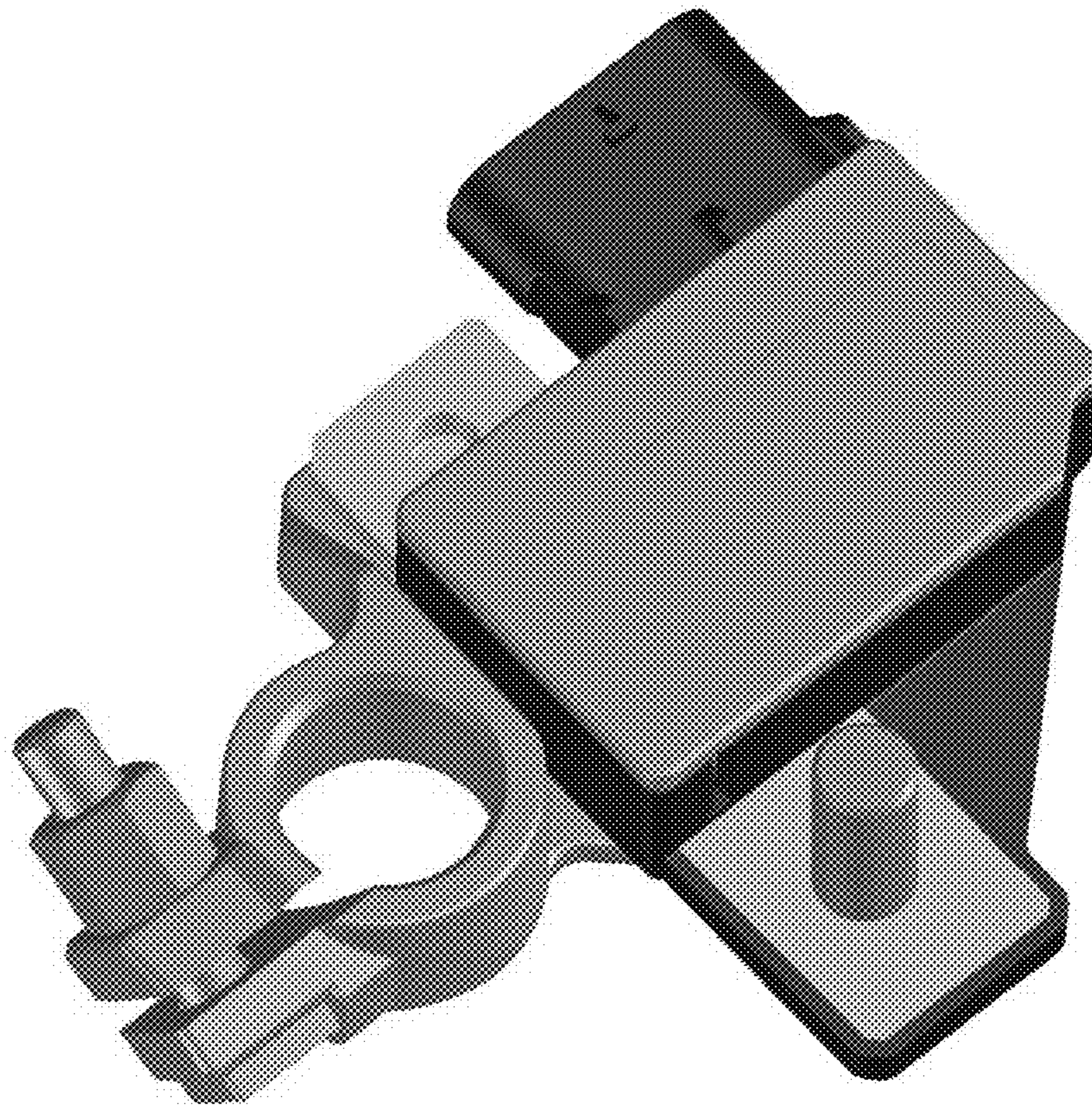
U.S. PATENT DOCUMENTS

D607,763 S * 1/2010 Morel D10/78
D610,541 S * 2/2010 Mueller D13/110

1 Claim, 8 Drawing Sheets



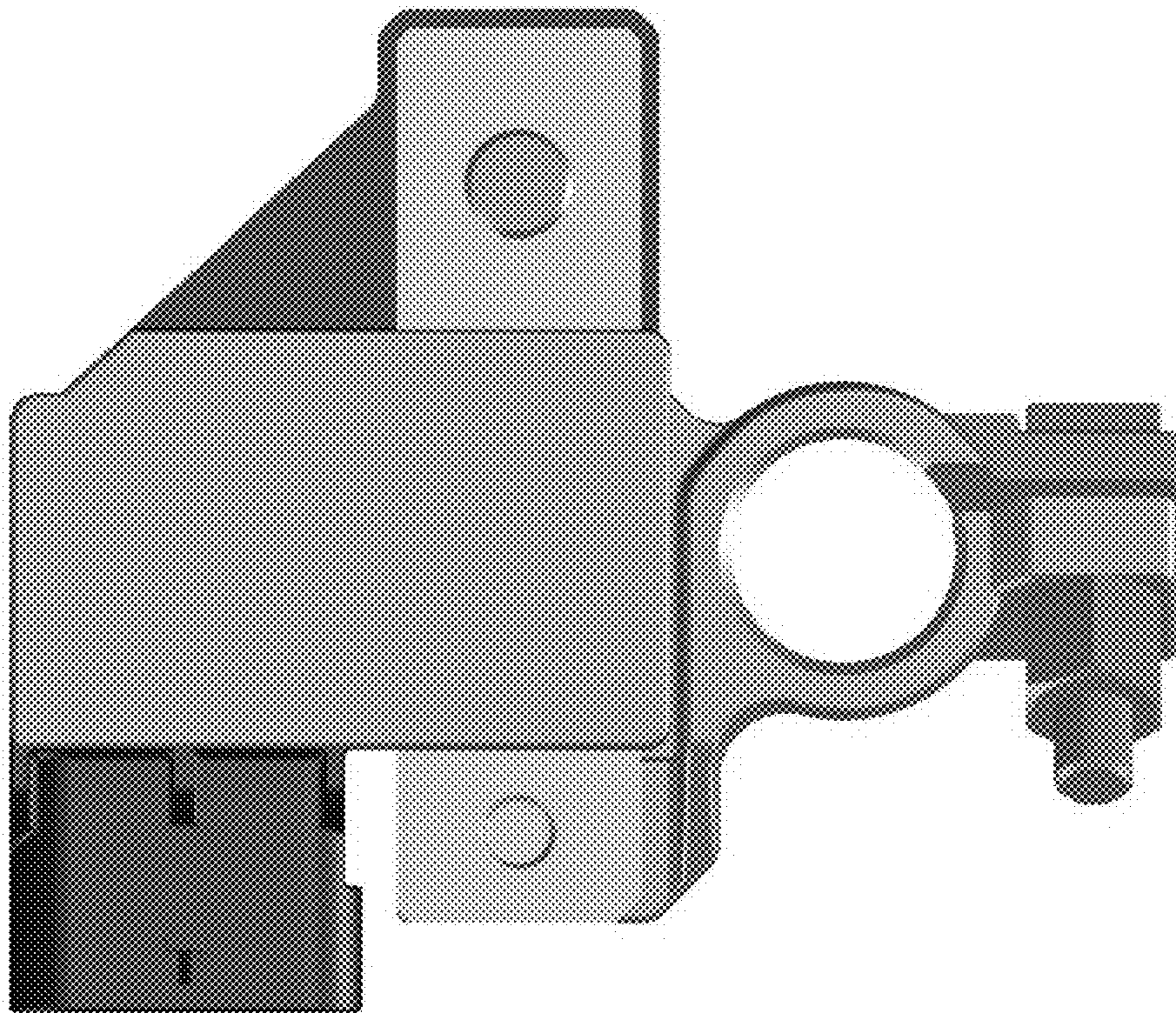
1.1



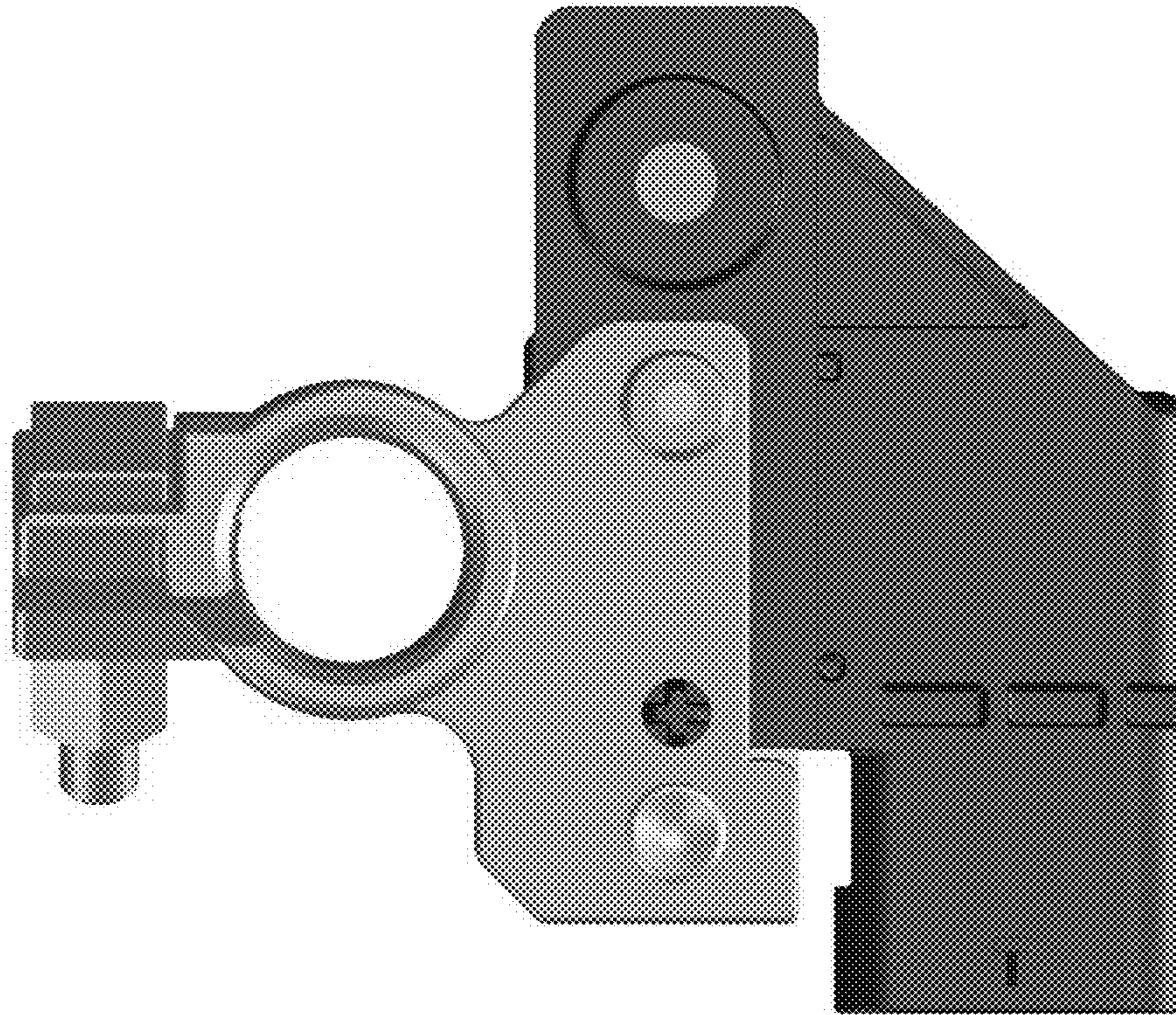
1.2



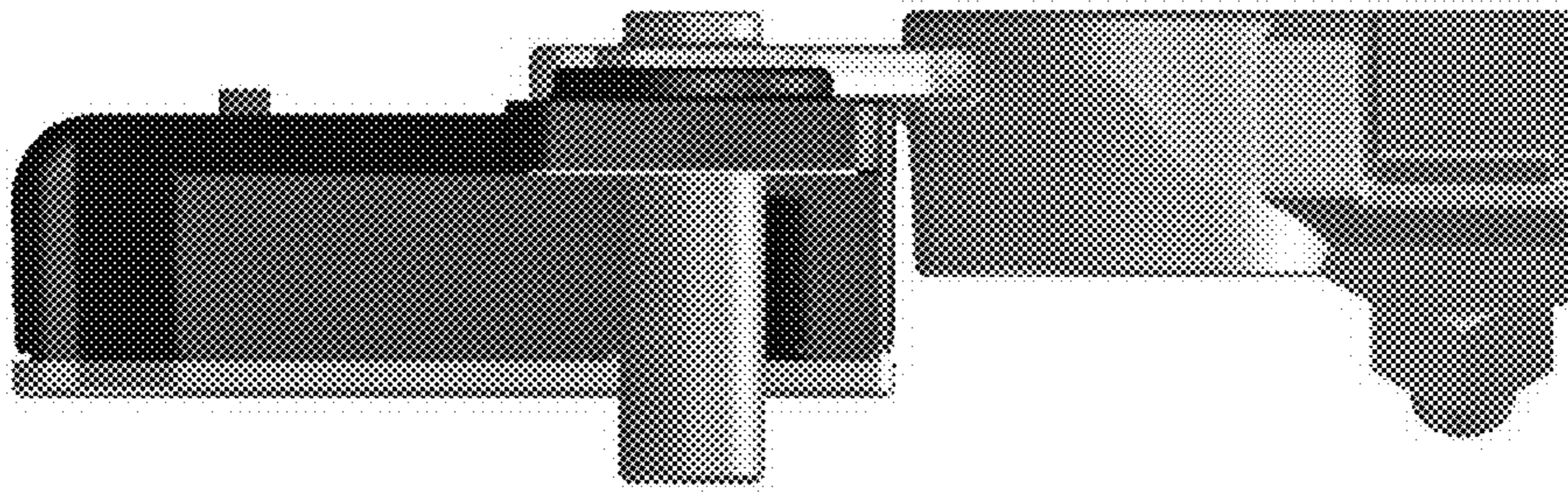
1.3



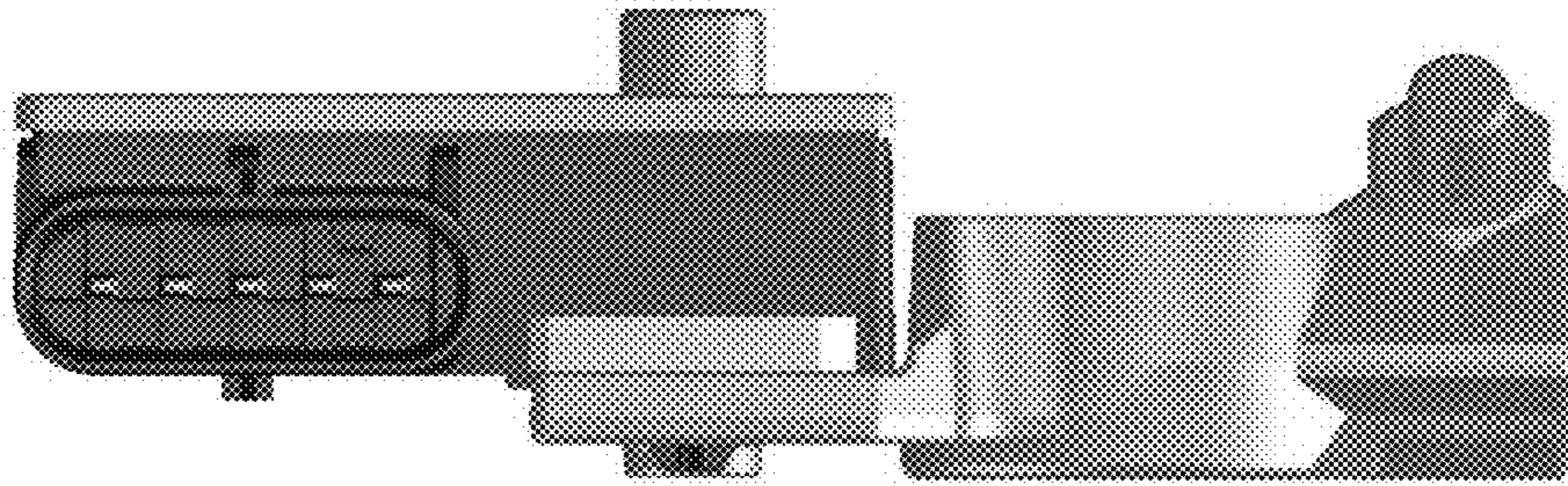
1.4



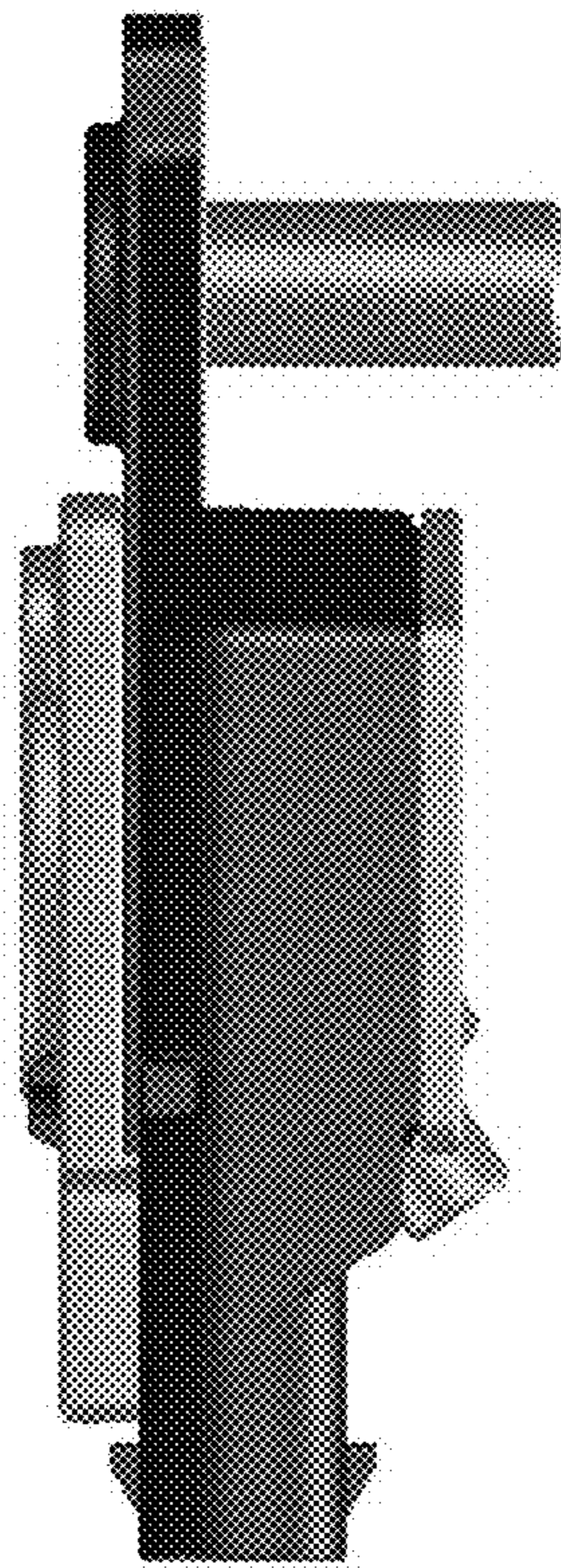
1.5



1.6



1.7



1.8

