



US00D795805S

(12) **United States Design Patent** (10) **Patent No.:** **US D795,805 S**
Gray et al. (45) **Date of Patent:** **** Aug. 29, 2017**

- (54) **AC-TO-DC POWER SUPPLY**
- (71) Applicant: **DEKA Products Limited Partnership**,
Manchester, NH (US)
- (72) Inventors: **Larry B. Gray**, Merrimack, NH (US);
Erik N. Sabin, Manchester, NH (US);
Matthew R. Gill, San Francisco, CA
(US); **Jeffrey M. Janway**, Hooksett,
NH (US)
- (73) Assignee: **DEKA Products Limited Partnership**,
Manchester, NH (US)
- (**) Term: **15 Years**
- (21) Appl. No.: **29/561,572**
- (22) Filed: **Apr. 18, 2016**

Related U.S. Application Data

- (63) Continuation of application No. 29/517,098, filed on
Feb. 10, 2015, now Pat. No. Des. 754,065.
- (51) **LOC (10) Cl.** **13-02**
- (52) **U.S. Cl.**
USPC **D13/110**
- (58) **Field of Classification Search**
USPC D13/110, 103, 107, 108, 118, 119, 123,
D13/133, 137.1, 184, 199; D14/240, 251,
D14/356, 432, 433, 434; 174/53, 54, 59,
174/61; 307/11, 150, 151; 320/107, 111,
320/112, 113, 114, 115; 361/679.01;
363/142, 146; 439/131, 172, 626, 628,
439/638
CPC H02M 1/10; H01M 10/46; H02J 13/0096;
H02J 7/00; H02J 7/0042; H02J 7/0047;
H02J 9/00

See application file for complete search history.

(56) **References Cited**

U.S. PATENT DOCUMENTS

3,066,965 A	12/1962	Jeavons
4,241,906 A	12/1980	Cole
D288,405 S	2/1987	Klapperich
D289,395 S	4/1987	Bowers
D295,825 S	5/1988	Persson
5,052,730 A	10/1991	Frank

(Continued)

FOREIGN PATENT DOCUMENTS

DE	4030368 C1	9/1990
EP	966944 A2	12/1999

(Continued)

OTHER PUBLICATIONS

First Examination Report dated Jan. 18, 2017, received in New Zealand patent application No. 709299 (L51NZ), 4 pgs.

(Continued)

Primary Examiner — Derrick Holland

(74) *Attorney, Agent, or Firm* — James D. Wyninegar, Jr.

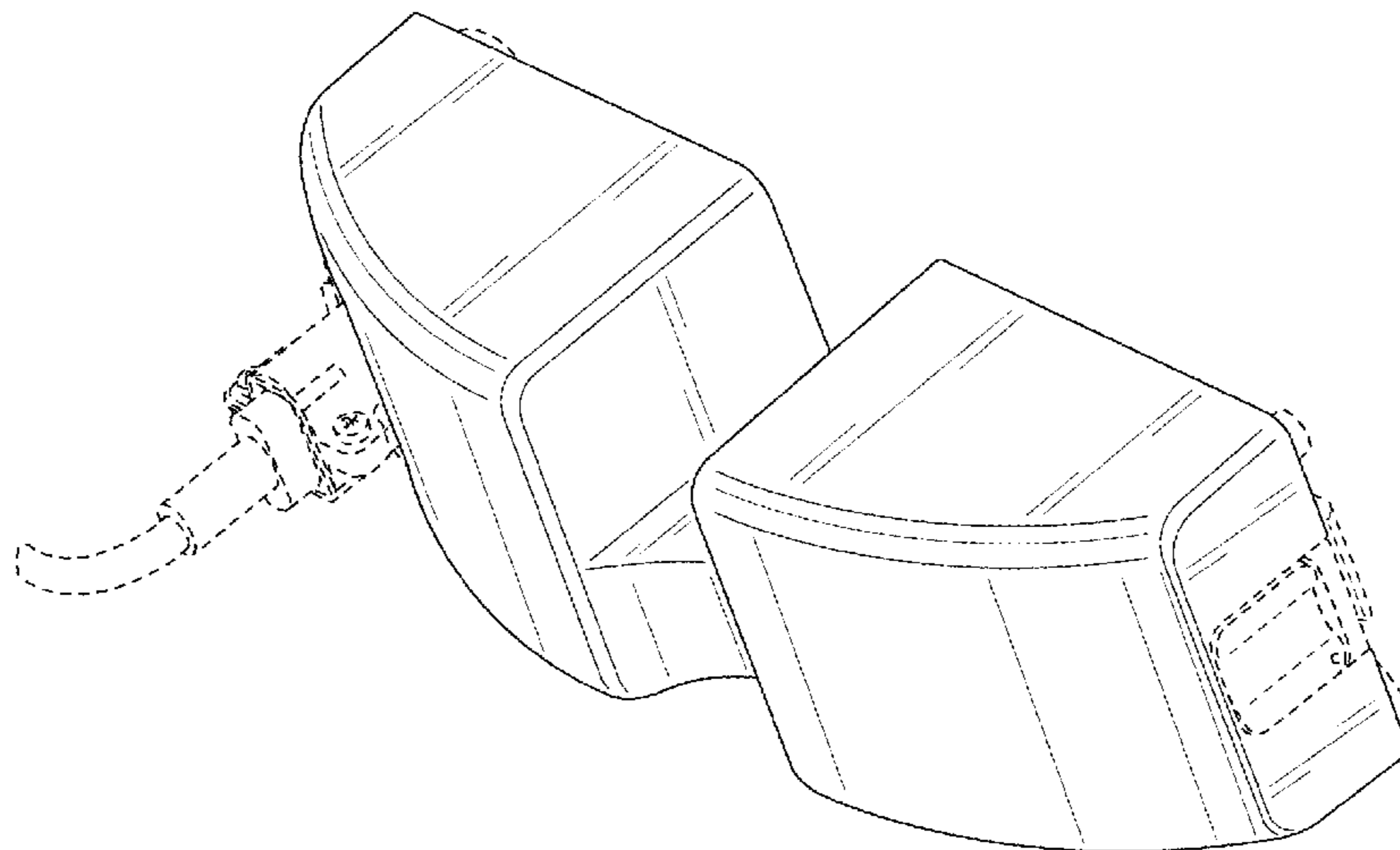
(57) **CLAIM**

The ornamental design for an AC-to-DC power supply, as shown and described.

DESCRIPTION

FIG. 1 is a front, top, and right side perspective view of the AC-to-DC power supply, showing our new design; FIG. 2 is a front side elevational view thereof; FIG. 3 is a rear side elevational view thereof; FIG. 4 is a left side elevational view thereof. FIG. 5 is a right side elevational view thereof; FIG. 6 is a top plan view thereof; and, FIG. 7 is a bottom plan view thereof. The ornamental design which is claimed is shown in solid lines in the drawings. The broken lines shown represent unclaimed subject matter and form no part of the claimed design.

1 Claim, 7 Drawing Sheets



(56)

References Cited

U.S. PATENT DOCUMENTS

D342,005 S 12/1993 Forsberg
 D344,529 S 2/1994 Gowdy
 5,332,184 A 7/1994 Davis
 5,413,391 A 5/1995 Clavin et al.
 5,722,704 A 3/1998 Chaput
 5,820,175 A 10/1998 Clavin
 5,833,191 A 11/1998 Gennep
 D415,410 S 10/1999 An
 5,983,474 A 11/1999 Koppe
 6,012,712 A 1/2000 Berstein
 6,017,026 A 1/2000 Durfee
 D425,017 S 5/2000 Leung
 D437,547 S 2/2001 Moubayed
 6,244,580 B1 6/2001 Durfee, Jr.
 6,253,634 B1 7/2001 Nakagome
 6,464,184 B1 10/2002 Lytle
 6,572,390 B2 6/2003 Ladin
 D491,523 S 6/2004 Chi et al.
 6,832,416 B2 12/2004 Dixon
 6,896,232 B2 5/2005 Crowell et al.
 7,040,783 B1 5/2006 Christianson
 D530,272 S * 10/2006 Hulden D13/107
 7,272,878 B2 9/2007 Dixon
 7,290,898 B2 11/2007 Martin et al.
 7,313,937 B2 1/2008 Straka, Jr.
 D568,814 S 5/2008 Hung
 7,523,535 B2 4/2009 Coleman
 7,566,038 B2 7/2009 Scott et al.
 7,731,141 B2 6/2010 Schuerch
 D622,583 S 8/2010 Parks
 7,883,137 B2 2/2011 Bar
 7,980,521 B2 7/2011 Harr et al.
 8,051,515 B1 11/2011 Kring
 8,167,259 B2 5/2012 Spang, Jr. et al.
 D662,051 S 6/2012 Saunders et al.
 8,235,402 B2 8/2012 Knappe
 8,276,895 B2 10/2012 Brown et al.
 D677,224 S * 3/2013 Chen D13/110
 D681,436 S 5/2013 Jebara
 D686,988 S * 7/2013 Fawkes D13/110
 D687,775 S * 8/2013 McGuire D13/110
 D692,378 S 10/2013 Esses
 8,631,544 B1 1/2014 Shotey et al.
 8,814,094 B2 8/2014 Tran
 D718,237 S * 11/2014 Asakura D13/110
 D728,779 S 5/2015 Sabin et al.
 9,022,374 B1 5/2015 Baryam
 D735,319 S 7/2015 Sabin et al.
 D736,370 S 8/2015 Sabin et al.
 D736,586 S 8/2015 Fukui
 9,132,515 B2 9/2015 Spillane
 9,151,646 B2 10/2015 Kamen et al.
 D745,661 S 12/2015 Collins et al.
 D749,206 S 2/2016 Johnson et al.
 D751,689 S 3/2016 Peret et al.
 D751,690 S 3/2016 Peret et al.
 D752,209 S 3/2016 Peret et al.
 9,295,778 B2 3/2016 Kamen et al.
 D754,065 S 4/2016 Gray et al.
 D756,386 S 5/2016 Kendler et al.
 D758,399 S 6/2016 Kendler et al.
 D760,288 S 6/2016 Kendler et al.
 D760,289 S 6/2016 Kendler et al.
 9,364,394 B2 6/2016 Demers et al.
 9,372,486 B2 6/2016 Peret et al.
 D760,782 S 7/2016 Kendler et al.
 D760,888 S 7/2016 Gill et al.
 9,400,873 B2 7/2016 Kamen et al.
 D767,756 S 9/2016 Sabin
 9,435,455 B2 9/2016 Peret et al.
 D768,716 S 10/2016 Kendler et al.
 9,465,919 B2 10/2016 Kamen et al.
 9,488,200 B2 11/2016 Kamen et al.
 2003/0071402 A1 4/2003 Martinez
 2005/0230444 A1 10/2005 Alling et al.

2006/0049566 A1 3/2006 Bernstein
 2006/0237974 A1 10/2006 Hamm et al.
 2007/0190826 A1 8/2007 Knappe et al.
 2008/0116157 A1 5/2008 Fulbrook et al.
 2008/0149788 A1 6/2008 Wong et al.
 2011/0313789 A1 12/2011 Kamen et al.
 2012/0049580 A1 3/2012 Konchan
 2012/0056065 A1 3/2012 Andersson
 2012/0185267 A1 7/2012 Kamen et al.
 2013/0177455 A1 7/2013 Kamen et al.
 2013/0182381 A1 7/2013 Gray et al.
 2013/0184676 A1 7/2013 Kamen
 2013/0188040 A1 7/2013 Kamen
 2013/0191513 A1 7/2013 Kamen
 2013/0197693 A1 8/2013 Kamen et al.
 2013/0204188 A1 8/2013 Kamen
 2013/0272773 A1 10/2013 Kamen
 2013/0281965 A1 10/2013 Kamen
 2013/0297330 A1 11/2013 Kamen et al.
 2013/0310990 A1 11/2013 Peret et al.
 2013/0317753 A1 11/2013 Kamen
 2013/0317837 A1 11/2013 Ballantyne
 2013/0336814 A1 12/2013 Kamen
 2013/0339049 A1 12/2013 Blumberg, Jr.
 2013/0346108 A1 12/2013 Kamen
 2014/0165703 A1 6/2014 Wilt
 2014/0180711 A1 6/2014 Kamen
 2014/0188076 A1 7/2014 Kamen
 2014/0188516 A1 7/2014 Kamen
 2014/0195639 A1 7/2014 Kamen
 2014/0227021 A1 8/2014 Kamen et al.
 2014/0318639 A1 10/2014 Peret
 2014/0343492 A1 11/2014 Kamen
 2014/0345787 A1 11/2014 Zaborowski et al.
 2014/0373580 A1 12/2014 Le
 2015/0002667 A1 1/2015 Peret et al.
 2015/0002668 A1 1/2015 Peret et al.
 2015/0002677 A1 1/2015 Peret et al.
 2015/0033823 A1 2/2015 Blumberg, Jr.
 2015/0041419 A1 2/2015 Hasegawa
 2015/0154364 A1 6/2015 Biasi et al.
 2015/0157791 A1 6/2015 Desch et al.
 2015/0238228 A1 8/2015 Langenfeld et al.
 2015/0257974 A1 9/2015 Demers et al.
 2015/0314083 A1 11/2015 Blumberg, Jr. et al.
 2015/0332009 A1 11/2015 Kane et al.
 2016/0055397 A1 2/2016 Peret et al.
 2016/0055649 A1 2/2016 Peret et al.
 2016/0061641 A1 3/2016 Peret et al.
 2016/0063353 A1 3/2016 Peret et al.
 2016/0073063 A1 3/2016 Peret et al.
 2016/0084434 A1 3/2016 Janway et al.
 2016/0097382 A1 4/2016 Kamen et al.
 2016/0131272 A1 5/2016 Yoo et al.
 2016/0158437 A1 6/2016 Biasi et al.
 2016/0179086 A1 6/2016 Peret et al.
 2016/0184510 A1 6/2016 Kamen et al.
 2016/0203292 A1 7/2016 Kamen et al.
 2016/0221814 A1 8/2016 Kent
 2016/0262977 A1 9/2016 Demers et al.
 2016/0319850 A1 11/2016 Kamen et al.

FOREIGN PATENT DOCUMENTS

EP 1690517 A2 8/2006
 EP 2532901 A1 12/2012
 JP 3048970 B2 6/2000
 WO WO0136027 A1 5/2001
 WO WO2013095459 A1 12/2001
 WO PCT/US2017/15382 1/2007
 WO WO2010128929 A1 11/2010
 WO WO2011128929 A1 11/2010
 WO WO2013096713 A1 12/2012
 WO WO2013096718 A1 12/2012
 WO WO2013096722 A1 12/2012
 WO WO2013096909 A1 12/2012
 WO WO2013176770 A1 3/2013
 WO WO/2013/177357 A1 5/2013
 WO WO2013095459 A9 6/2013

(56)

References Cited

FOREIGN PATENT DOCUMENTS

WO	WO2013096713	A2	6/2013
WO	WO2013096718	A2	6/2013
WO	WO2013096722	A2	6/2013
WO	WO2013096909	A2	6/2013
WO	WO2013102494	A1	7/2013
WO	WO2013161709	A1	10/2013
WO	WO2013176770	A2	11/2013
WO	WO2013177357	A1	11/2013
WO	WO/2014/100571	A1	12/2013
WO	WO/2014/100658	A1	12/2013
WO	WO/2014/100687	A1	12/2013
WO	WO/2014/100744	A1	12/2013
WO	WO2014100557	A1	12/2013
WO	WO2014100736	A1	12/2013
WO	WO/2014/144557	A1	3/2014
WO	WO2014100557	A2	6/2014
WO	WO2014100571	A2	6/2014
WO	WO2014100658	A1	6/2014
WO	WO2014100687	A2	6/2014
WO	WO2014100736	A2	6/2014
WO	WO2014100744	A2	6/2014
WO	WO2015017275	A1	7/2014
WO	WO2014144557	A2	9/2014
WO	PCT/US15/16796		2/2015
WO	WO2015017275	A1	2/2015
WO	PCT/US15/49952		9/2015
WO	PCT/US2015/63359		12/2015

OTHER PUBLICATIONS

Office Action issued on Dec. 9, 2016, notified/published on Dec. 12, 2016, received in Colombian patent application No. 15.302.333 (R16CO), 26 pgs. with English translation attached. Received by Applicant's US representative on Jan. 19, 2017.

Office Action issued on Dec. 15, 2016, notified/published on Dec. 16, 2016, received in Colombian patent application No. 15.302.359 (R17CO), 26 pgs. with English translation attached. Received by Applicant's US representative on Jan. 25, 2017.

Office Action received in Colombian patent application No. 15.167.448 (L51CO), 12 pgs., English Translation is 18 pgs. Office Action notified to wrong party on Dec. 12, 2016. Received by Applicant's US representative on Mar. 29, 2017.

Communication pursuant to Article 94(3) EPC dated Feb. 28, 2017, from the European Patent Office for application 13 828 963.2-1664, 3 pgs.

U.S. Appl. No. 15/418,096, filed Jan. 27, 2017.

U.S. Appl. No. 15/467,196, filed Mar. 23, 2017.

Office Action received in Colombian patent application No. 15.167.448 (L51CO), 12 pgs., English Translation is 18 pgs. Office Action notified to wrong party on Dec. 12, 2016. Received by Applicant's US representative on Mar. 29, 2017, English Translation.

International Search Report & Written Opinion dated Jul. 4, 2016, received in International patent application No. PCT/US2015/063359 (Q69WO), 18 pgs.

International Search Report & Written Opinion dated Jun. 26, 2014, received in International patent application No. PCT/US2013/077270 (L51WO), 17 pgs.

International Preliminary Report on Patentability dated Jun. 23, 2015, received in International patent application No. PCT/US2013/077270 (L51WO), 11 pgs.

Invitation to Pay Additional Fees and, Where Applicable, Protest Fee dated Apr. 25, 2016, received in International patent application No. PCT/US2015/063359 (Q69WO), 7 pgs.

U.S. Appl. No. 61/297,544, filed Jan. 22, 2010.

U.S. Appl. No. 61/578,674, filed Dec. 21, 2011.

U.S. Appl. No. 61/578,649, filed Dec. 21, 2011.

U.S. Appl. No. 61/578,658, filed Dec. 21, 2011.

U.S. Appl. No. 61/651,322, filed May 24, 2012.

U.S. Appl. No. 61/679,117, filed Aug. 3, 2012.

U.S. Appl. No. 61/738,447, filed Dec. 18, 2012.

U.S. Appl. No. 61/740,474, filed Dec. 21, 2012.

U.S. Appl. No. 29/457,521, filed Jun. 11, 2013.

U.S. Appl. No. 61/843,574, filed Jul. 8, 2013.

U.S. Appl. No. 61/860,398, filed Jul. 31, 2013.

U.S. Appl. No. 61/894,801, filed Oct. 23, 2013.

U.S. Appl. No. 61/900,431, filed Nov. 6, 2013.

U.S. Appl. No. 61/904,123, filed Nov. 14, 2013.

U.S. Appl. No. 29/477,236, filed Dec. 20, 2013.

U.S. Appl. No. 29/477,233, filed Dec. 20, 2013.

U.S. Appl. No. 29/477,232, filed Dec. 20, 2013.

U.S. Appl. No. 29/477,231, filed Dec. 20, 2013.

U.S. Appl. No. 29/477,237, filed Dec. 20, 2013.

U.S. Appl. No. 29/477,249, filed Dec. 20, 2013.

U.S. Appl. No. 61/942,986, filed Feb. 21, 2014.

U.S. Appl. No. 61/953,036, filed Mar. 14, 2014.

U.S. Appl. No. 61/987,742, filed May 2, 2014.

U.S. Appl. No. 61/990,330, filed May 8, 2014.

U.S. Appl. No. 62/052,008, filed Sep. 18, 2014.

U.S. Appl. No. 62/086,356, filed Dec. 2, 2014.

U.S. Appl. No. 29/517,095, filed Feb. 10, 2015.

U.S. Appl. No. 29/517,097, filed Feb. 10, 2015.

U.S. Appl. No. 29/517,099, filed Feb. 10, 2015.

U.S. Appl. No. 29/517,100, filed Feb. 10, 2015.

U.S. Appl. No. 29/517,101, filed Feb. 10, 2015.

U.S. Appl. No. 29/517,096, filed Feb. 10, 2015.

U.S. Appl. No. 62/168,343, filed May 29, 2015.

U.S. Appl. No. 29/531,366, filed Jun. 25, 2015.

U.S. Appl. No. 29/532,660, filed Jul. 9, 2015.

U.S. Appl. No. 62/212,871, filed Sep. 1, 2015.

U.S. Appl. No. 29/538,153, filed Sep. 1, 2015.

U.S. Appl. No. 14/853,300, filed Sep. 14, 2015.

U.S. Appl. No. 14/939,586, filed Nov. 12, 2015.

U.S. Appl. No. 29/547,402, filed Dec. 3, 2015.

U.S. Appl. No. 29/547,405, filed Dec. 3, 2015.

U.S. Appl. No. 29/548,225, filed Dec. 11, 2015.

U.S. Appl. No. 29/552,303, filed Jan. 21, 2016.

U.S. Appl. No. 29/552,942, filed Jan. 27, 2016.

U.S. Appl. No. 29/552,943, filed Jan. 27, 2016.

U.S. Appl. No. 29/553,094, filed Jan. 28, 2016.

U.S. Appl. No. 62/288,132, filed Jan. 28, 2016.

U.S. Appl. No. 29/556,048, filed Feb. 26, 2016.

U.S. Appl. No. 15/055,941, filed Feb. 29, 2016.

U.S. Appl. No. 15/059,394, filed Mar. 3, 2016.

U.S. Appl. No. 15/077,389, filed Mar. 22, 2016.

U.S. Appl. No. 29/564,750, filed May 16, 2016.

Written Opinion from The Intellectual Property Office of Singapore for Application 11201504885X (L51SG), mailed on Apr. 13, 2016, 14 pgs.

Invitation to Pay Additional Fees and, Where Applicable, Protest Fee dated May 9, 2014, received in International patent application No. PCT/US2013/077270 (L51WO), 5 pgs.

Report of substantive examination from Superintendent of Industry and Commerce of Colombia for Patent Application 15-167448-1 (L51CO), mailed on Aug. 8, 2015.

Report of substantive examination from Superintendent of Industry and Commerce of Colombia for Patent Application 15-167448-1 (R16), mailed on Feb. 11, 2016.

Report of substantive examination from Superintendent of Industry and Commerce of Colombia for Patent Application 15-167448-1 (R17), mailed on Feb. 11, 2016.

U.S. Appl. No. 15/161,876, filed May 23, 2016.

U.S. Appl. No. 62/341,396, filed May 25, 2016.

U.S. Appl. No. 29/565,908, filed May 25, 2016.

U.S. Appl. No. 15/163,906, filed May 25, 2016.

U.S. Appl. No. 29/569,460, filed Jun. 28, 2016.

U.S. Appl. No. 29/569,450, filed Jun. 28, 2016.

U.S. Appl. No. 15/205,538, filed Jul. 8, 2016.

U.S. Appl. No. 29/570,648, filed Jul. 11, 2016.

U.S. Appl. No. 29/571,387, filed Jul. 18, 2016.

Second Written Opinion from The Intellectual Property Office of Singapore for Application 11201504885X (L51SG), mailed on Oct. 24, 2016, 8 pgs.

U.S. Appl. No. 29/575,331, filed Aug. 24, 2016.

(56)

References Cited

OTHER PUBLICATIONS

U.S. Appl. No. 29/575,316, filed Aug. 24, 2016.

U.S. Appl. No. 15/248,200, filed Aug. 26, 2016.

U.S. Appl. No. 15/270,321, filed Sep. 20, 2016.

U.S. Appl. No. 15/341,611, filed Nov. 2, 2016.

Report of substantive examination from Superintendent of Industry and Commerce of Colombia for Patent Application 15-167448-1 (L51CO), mailed on Aug. 8, 2015, Machine Translation.

Report of substantive examination from Superintendent of Industry and Commerce of Colombia for Patent Application 15-167448-1 (R16), mailed on Feb. 11, 2016, Machine Translation.

Report of substantive examination from Superintendent of Industry and Commerce of Colombia for Patent Application 15-167448-1 (R17), mailed on Feb. 11, 2016, Machine Translation.

* cited by examiner

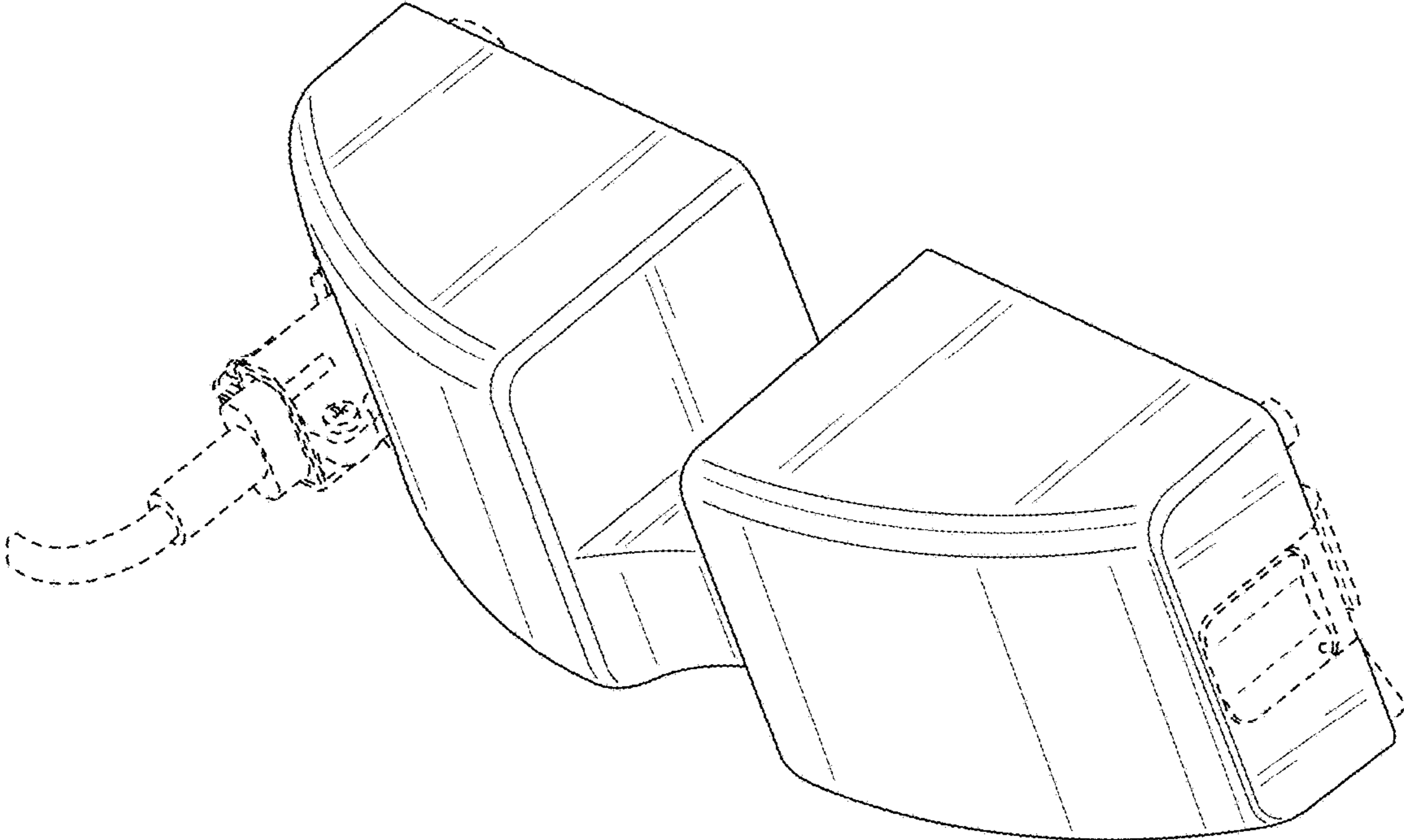


FIG. 1

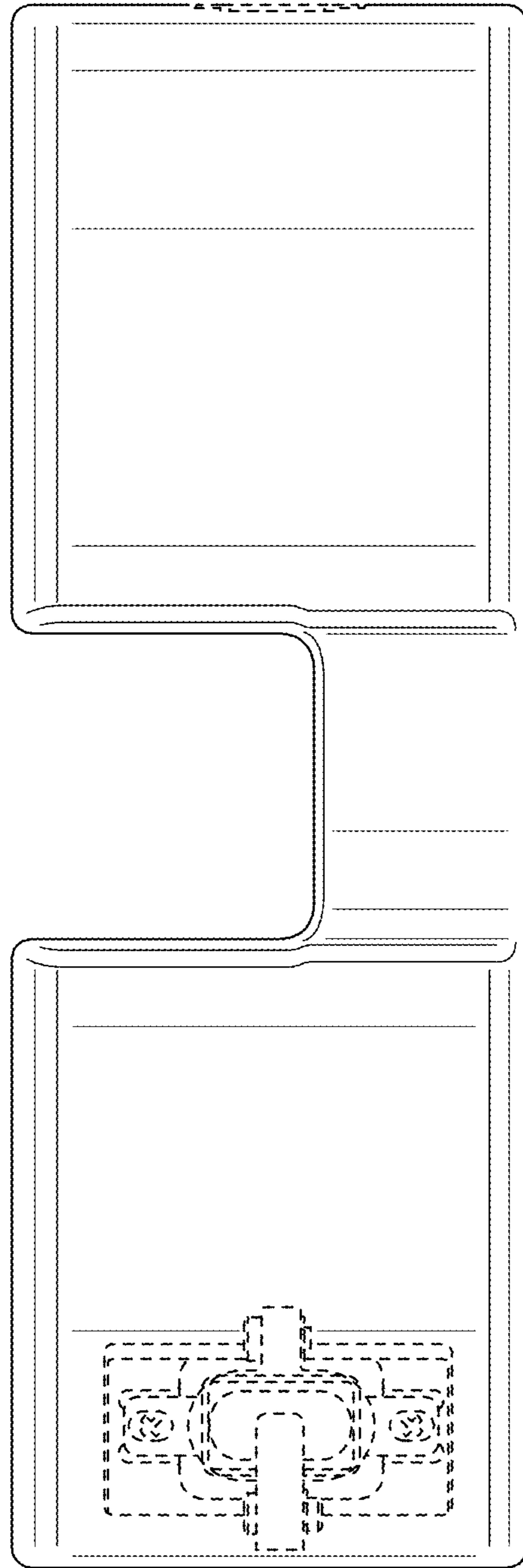


FIG. 2

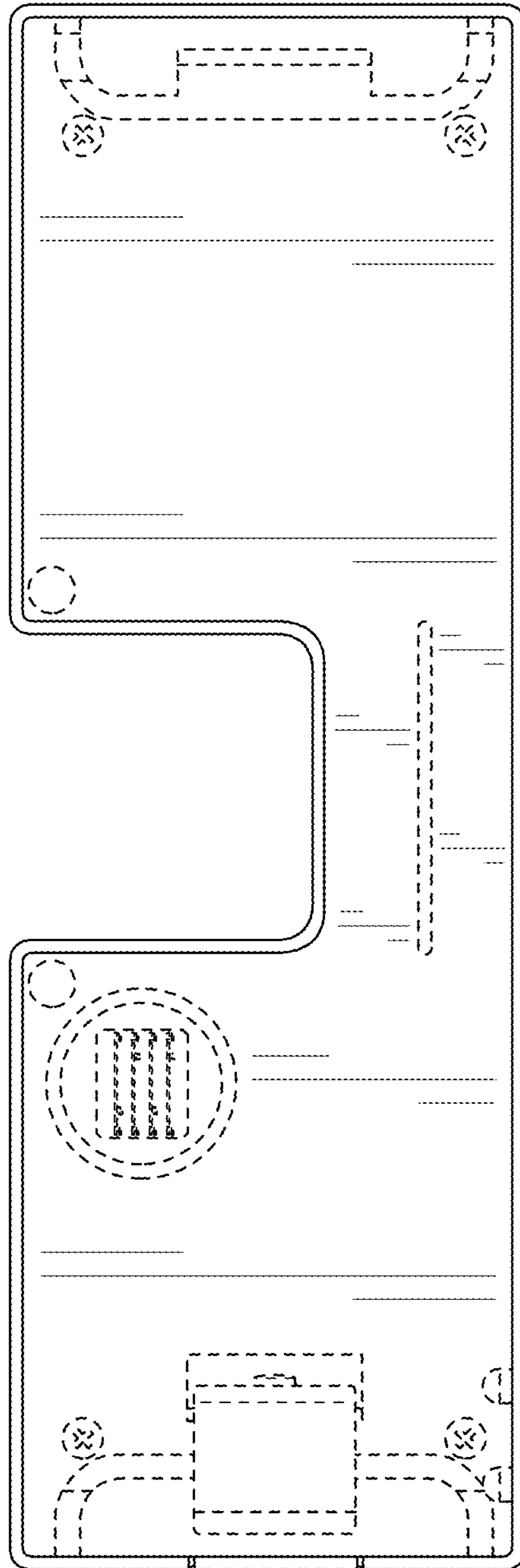


FIG. 3

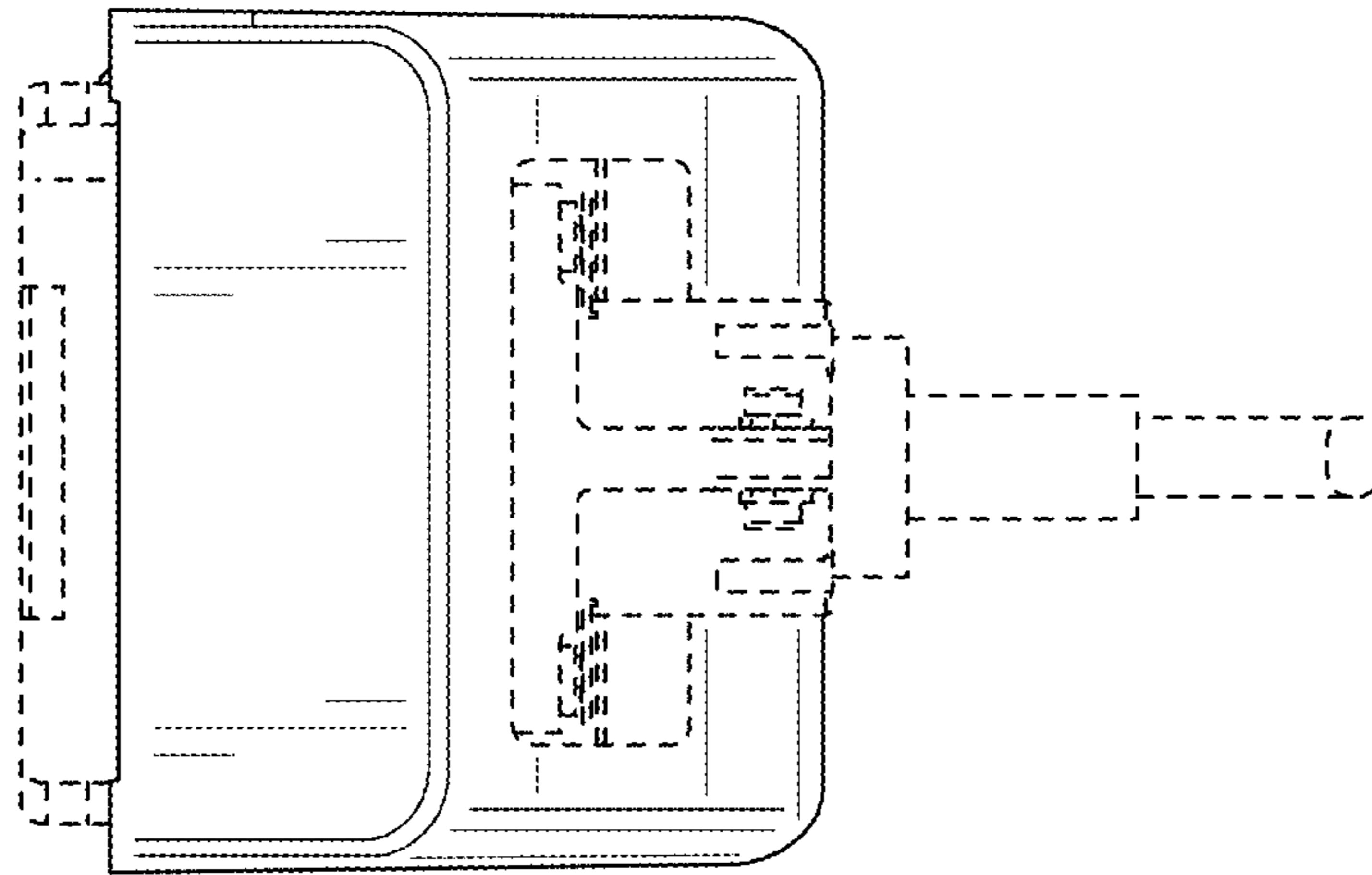


FIG. 4

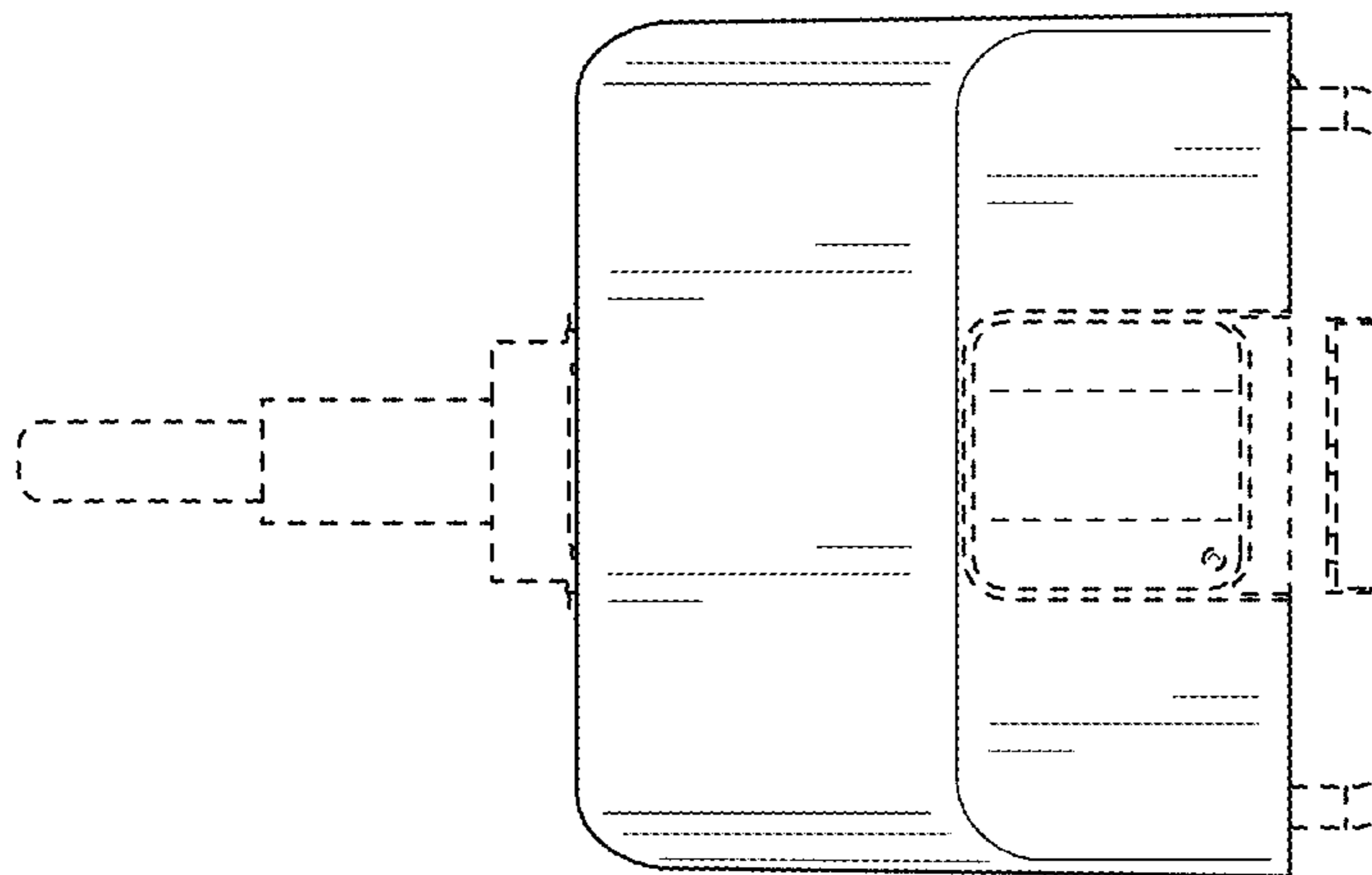


FIG. 5

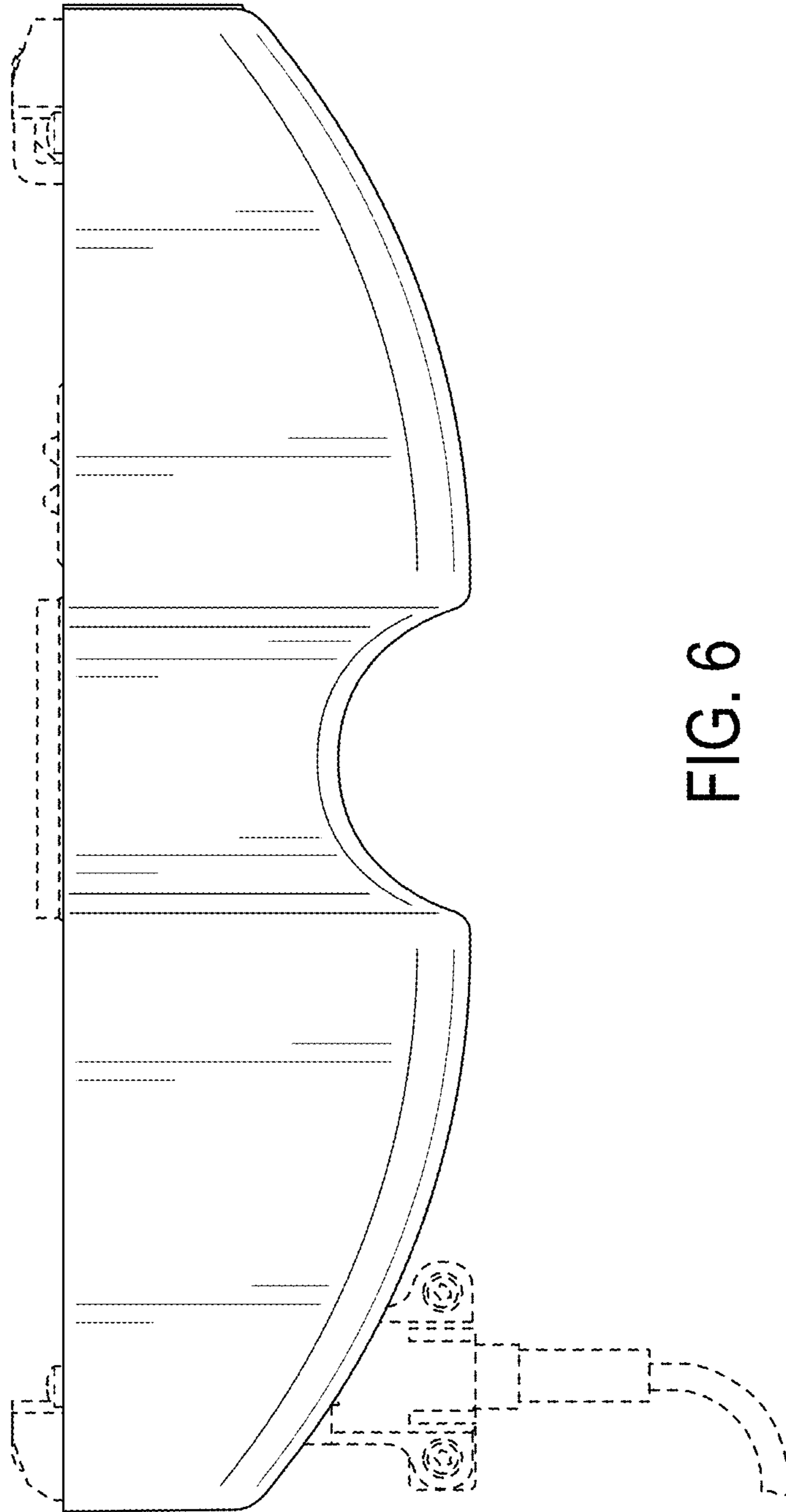


FIG. 6

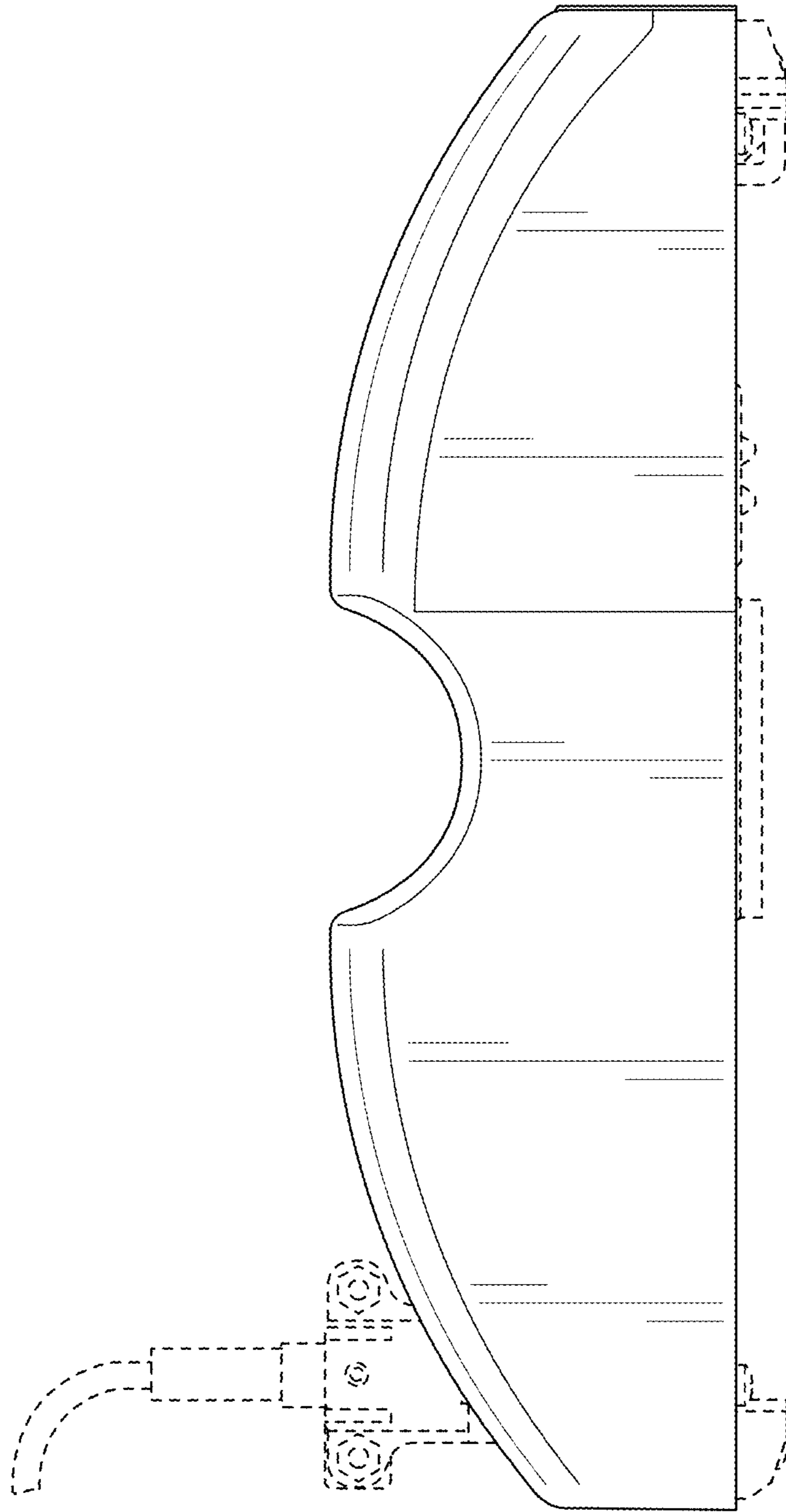


FIG. 7