

US00D795803S

(12) **United States Design Patent** (10) **Patent No.:** **US D795,803 S**
Wang (45) **Date of Patent:** **** Aug. 29, 2017**

(54) **USB WALL CHARGER**

(71) Applicant: **Jian Wang**, Sunnyvale, CA (US)

(72) Inventor: **Jian Wang**, Sunnyvale, CA (US)

(73) Assignee: **Jian Wang**, Sunnyvale, CA (US)

(**) Term: **14 Years**

(21) Appl. No.: **29/518,073**

(22) Filed: **Feb. 19, 2015**

(51) **LOC (10) Cl.** **13-02**

(52) **U.S. Cl.**
USPC **D13/108**

(58) **Field of Classification Search**

USPC D13/110, 107, 108, 118, 119, 123, 133,
D13/137.1, 184, 199; D14/242, 251, 432,
D14/433, 434, 480.1; 174/53, 54, 59, 61;
307/11, 150, 151; 320/107, 111, 112,
320/113, 114, 115; 361/679.01;
363/142, 146; 439/131, 172, 626, 628,
439/638

CPC H01R 31/06; H01R 25/00; H02M 7/003;
H05K 7/1432; H02J 7/0062; H01M 2/02;
H01M 2/022; H01M 2/0202; H01M
2/0207; H01M 2/0212; H01M 2/105;
H01M 2/204; H01M 2/206

See application file for complete search history.

(56) **References Cited**

U.S. PATENT DOCUMENTS

D540,802 S *	4/2007	Hussaini	D14/434
D585,067 S *	1/2009	Puglisi	D14/434
D663,726 S *	7/2012	Gourley	D14/251
D758,963 S *	6/2016	Lebel	D13/103
D769,818 S *	10/2016	Alesi	D13/110
D786,874 S *	5/2017	Eliyahu	D14/433

* cited by examiner

Primary Examiner — Derrick Holland

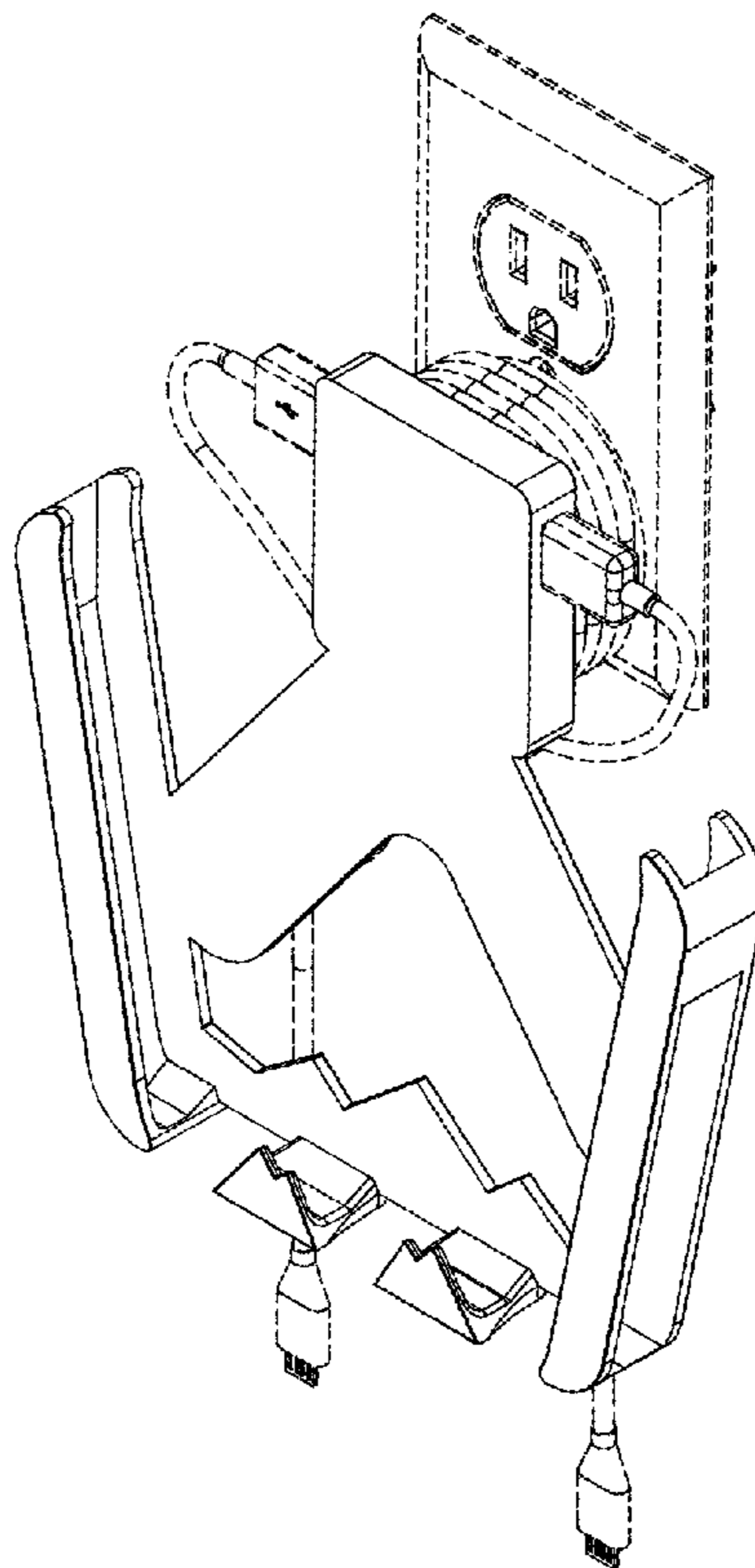
(57) **CLAIM**

I claim the ornamental design for a USB wall charger, substantially as shown and described.

DESCRIPTION

FIG. 1 is a front view of a USB wall charger showing my new design;
FIG. 2 is a front perspective view thereof;
FIG. 3 is another front view thereof;
FIG. 4 is another front perspective view thereof;
FIG. 5 is a side view thereof;
FIG. 6 is a back view thereof;
FIG. 7 is another front view thereof; and,
FIG. 8 is another front perspective view thereof.
The broken lines shown represent unclaimed subject matter and form no part of the claimed design.

1 Claim, 4 Drawing Sheets



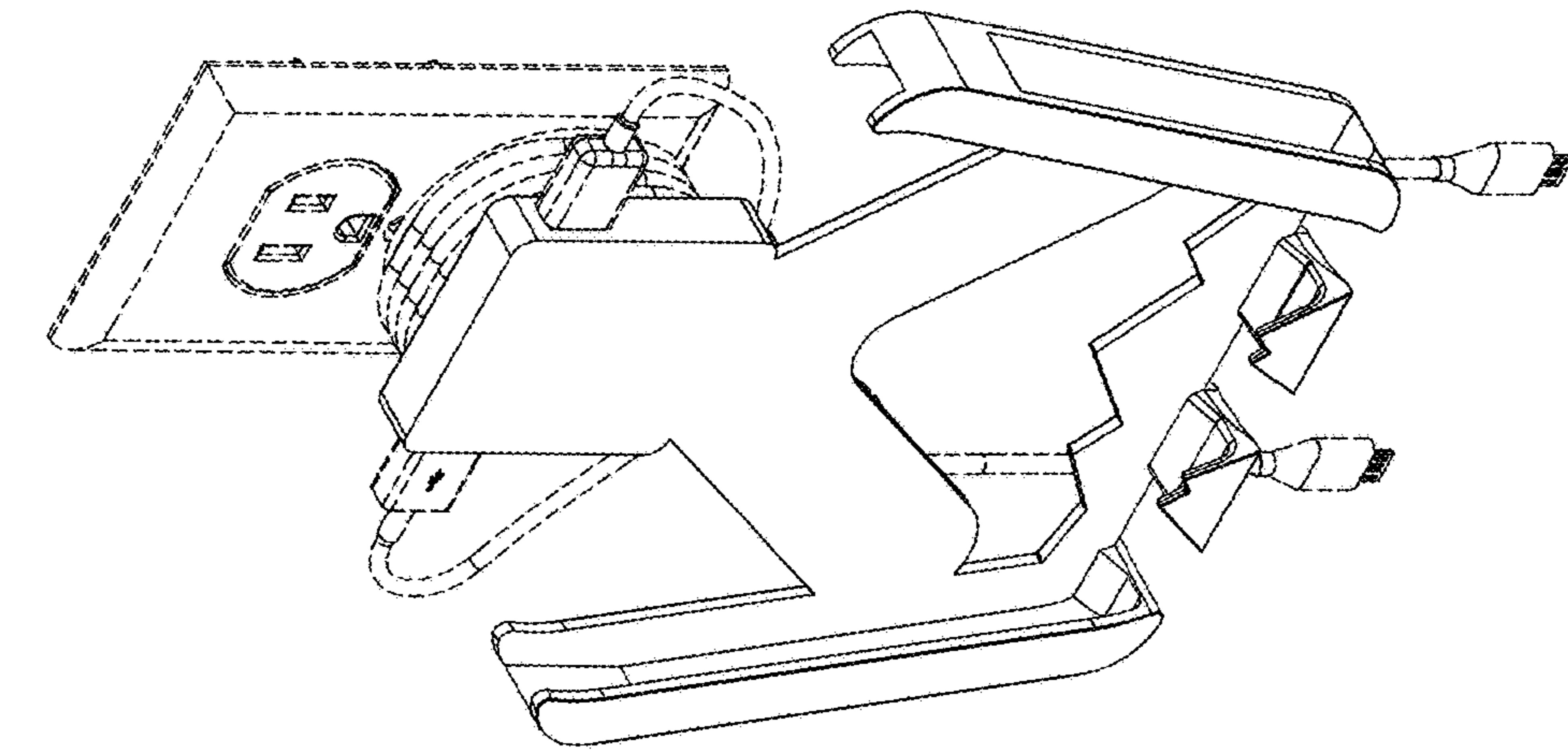


FIG. 2

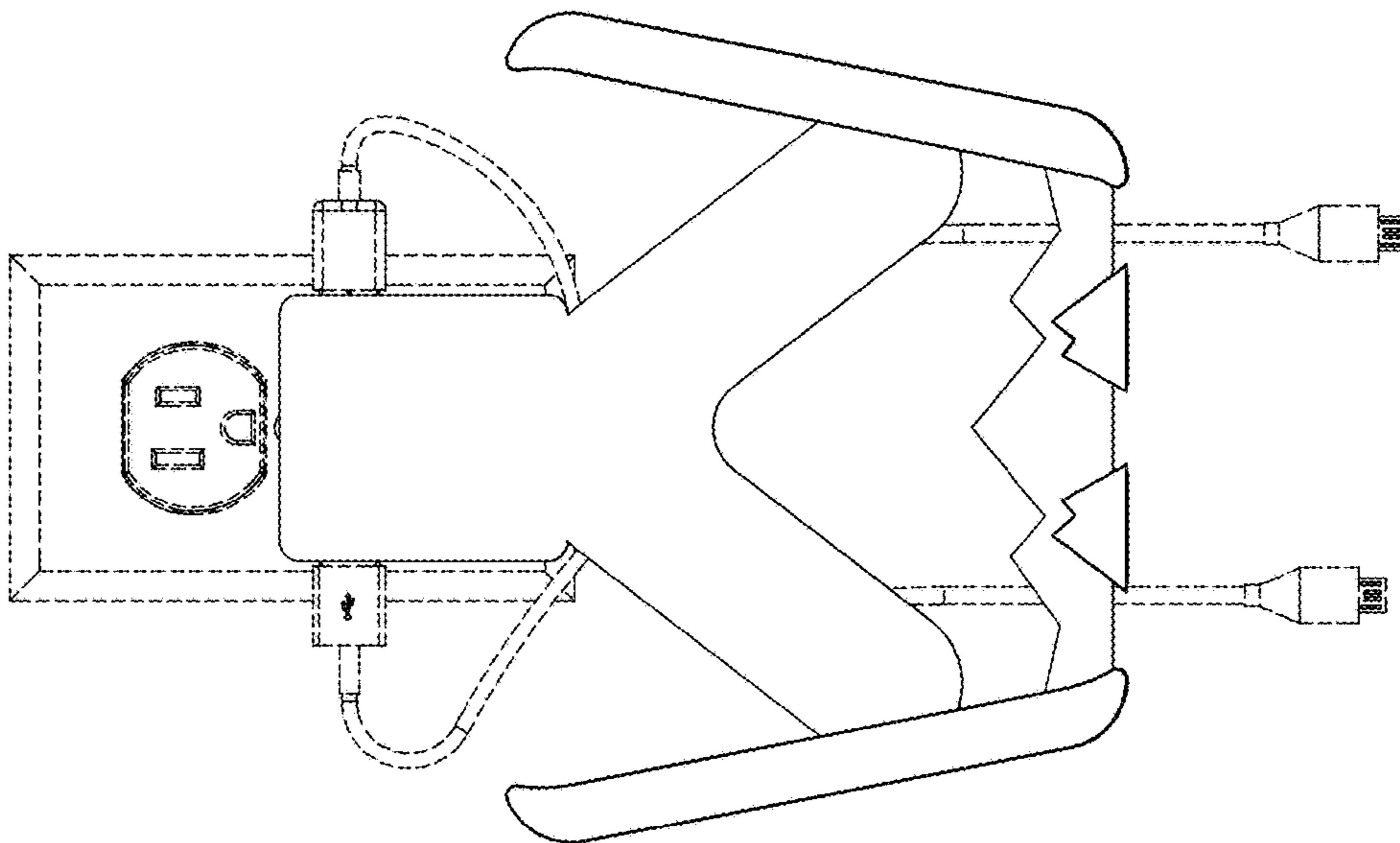


FIG. 1

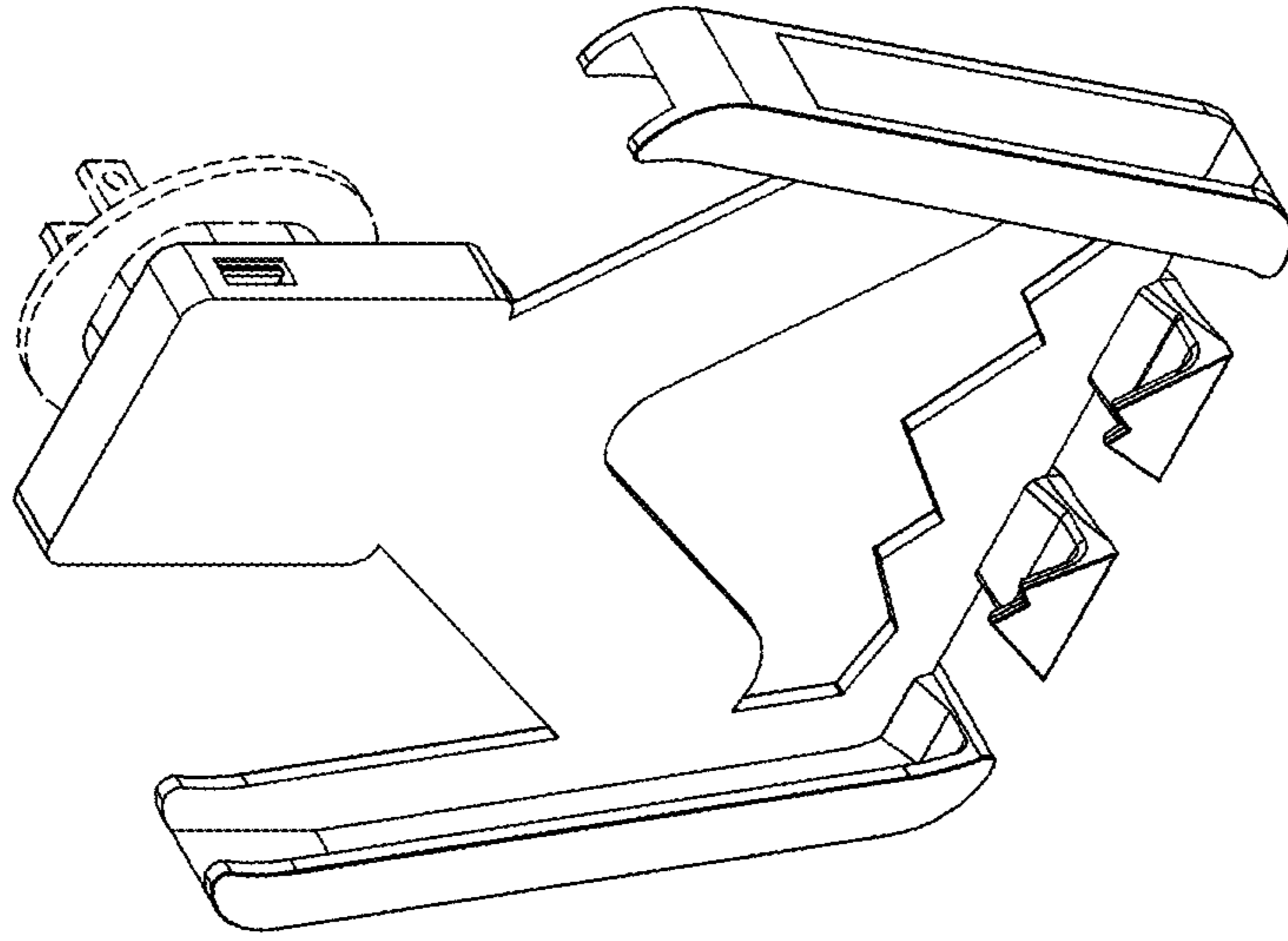


FIG. 4

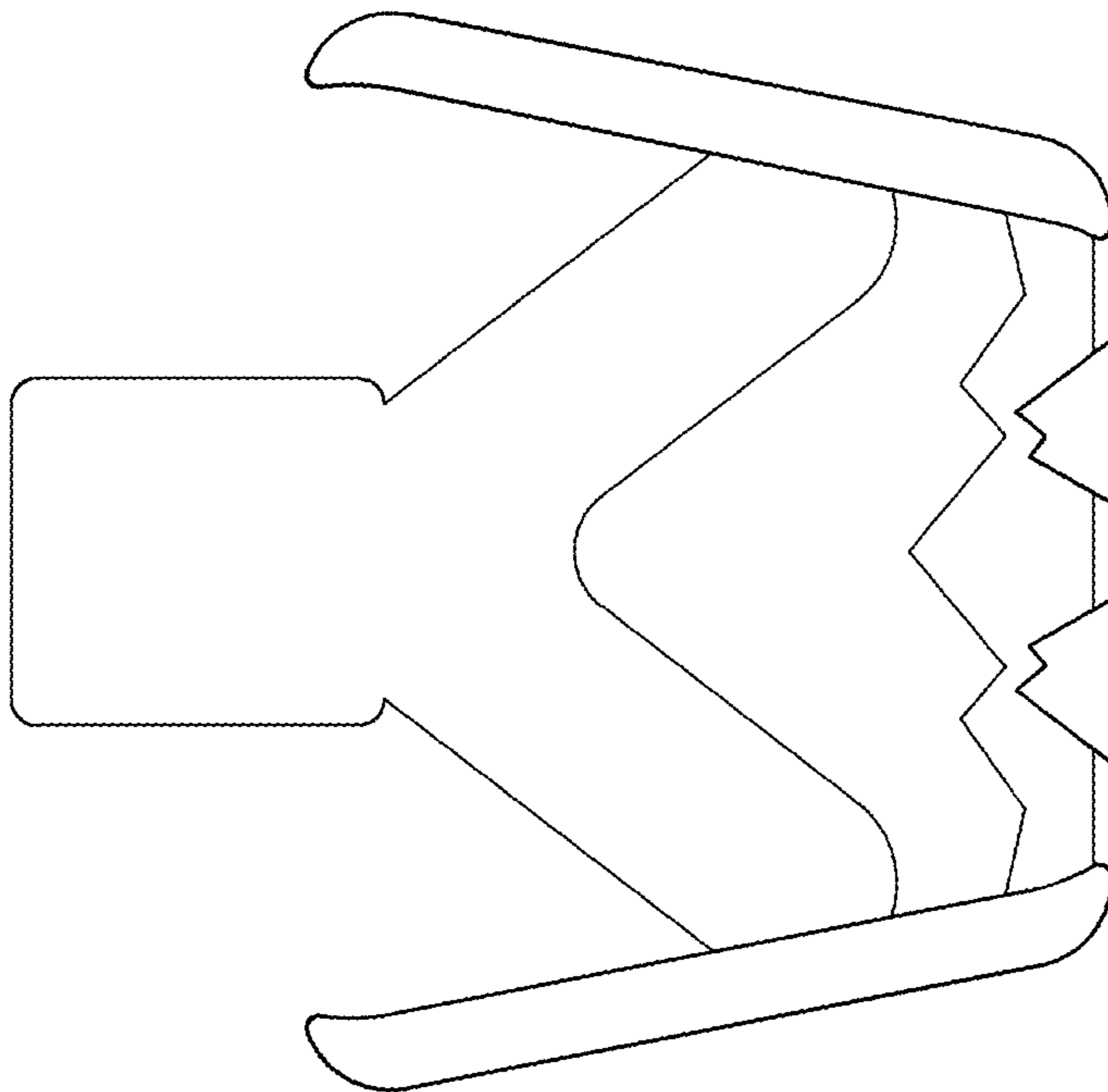


FIG. 3

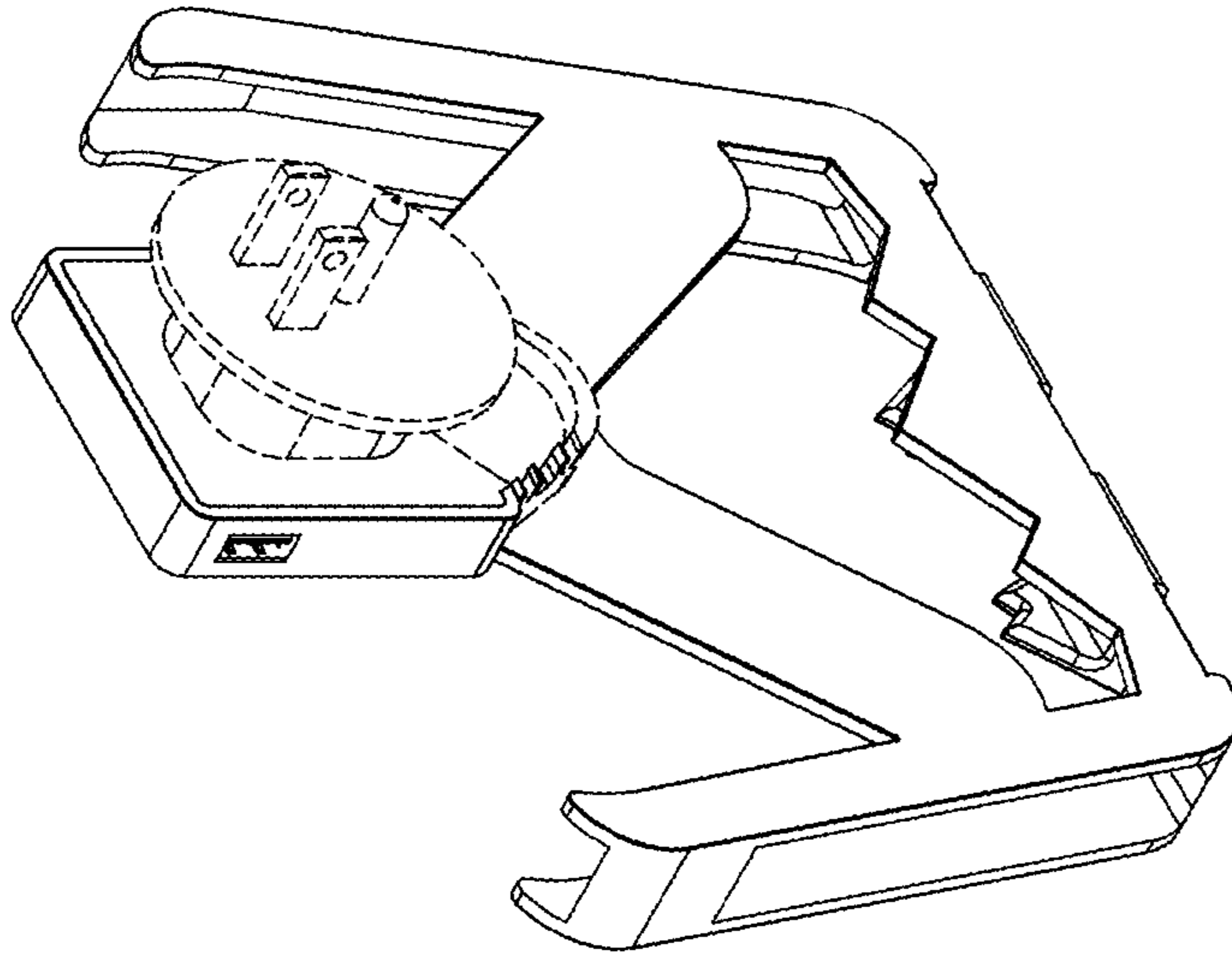


FIG. 6

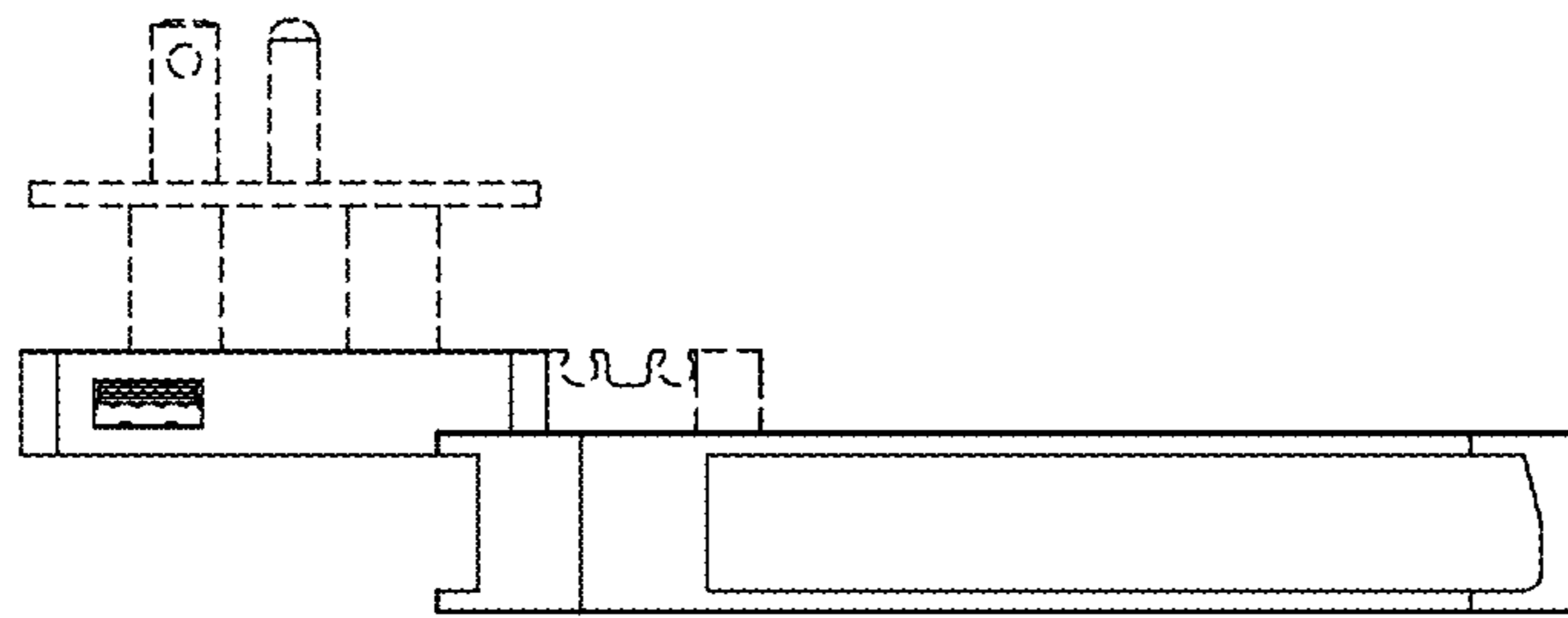


FIG. 5

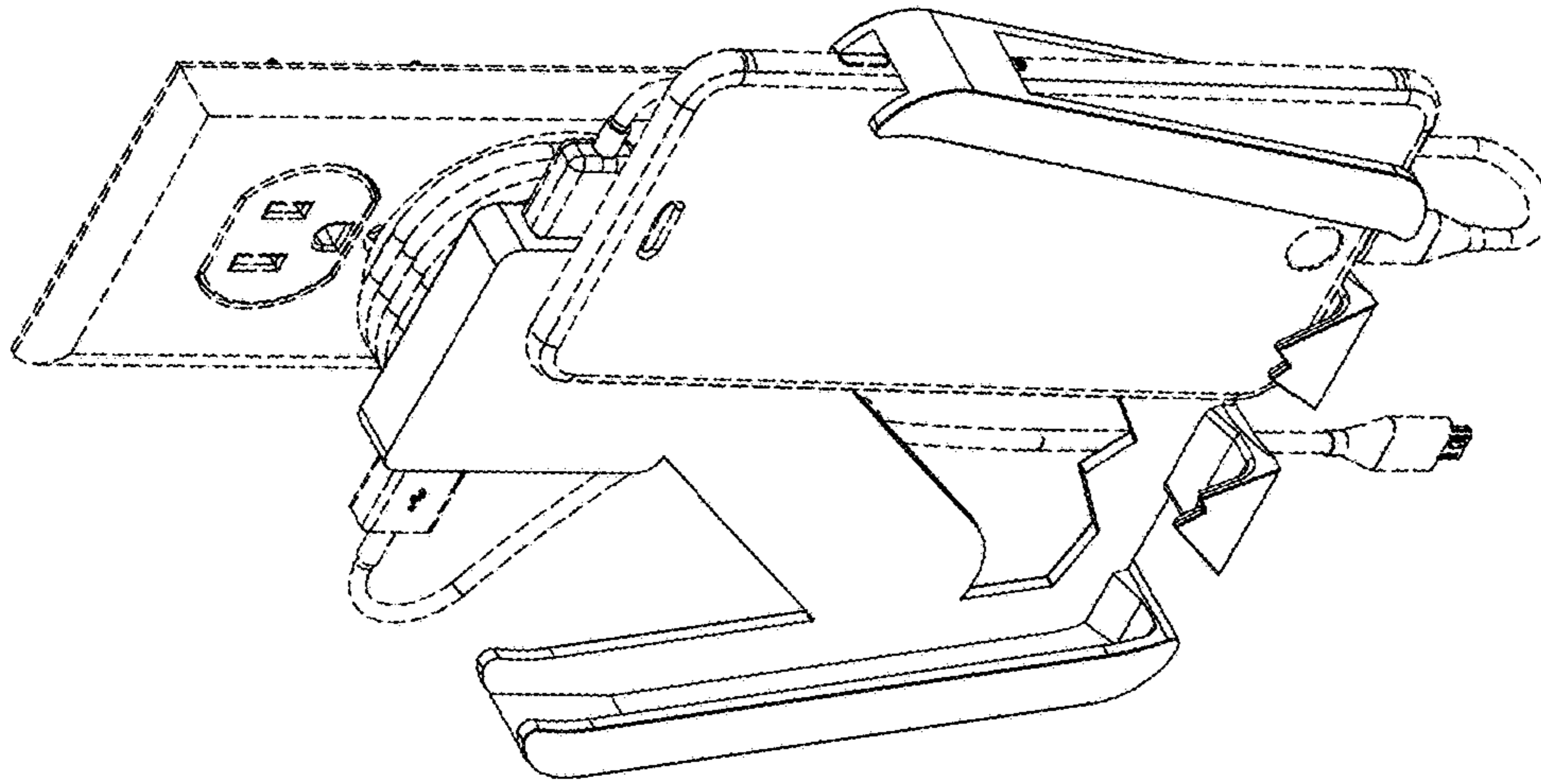


FIG. 8

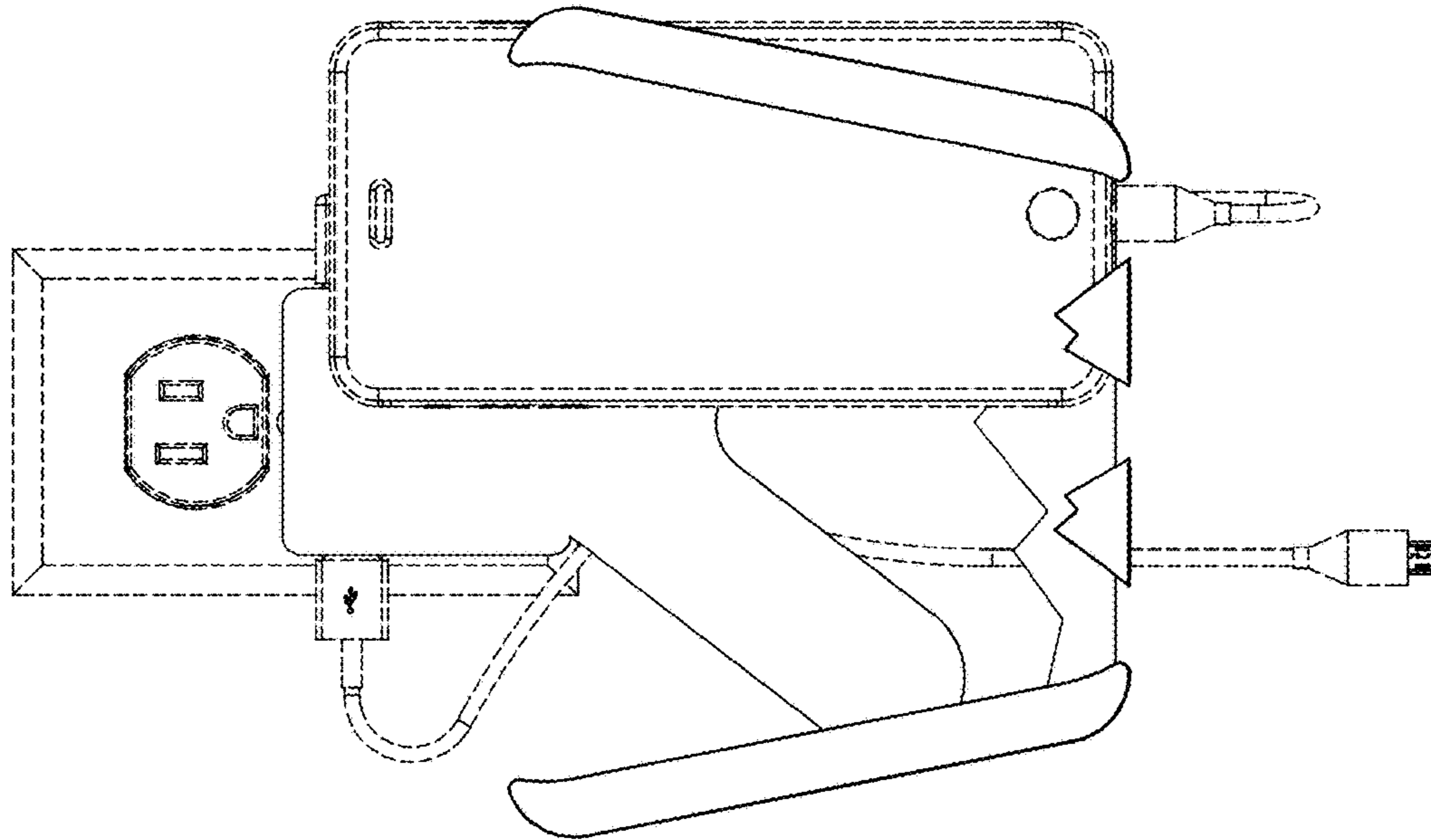


FIG. 7