



US00D795802S

(12) **United States Design Patent**
Inagaki et al.

(10) **Patent No.:** **US D795,802 S**

(45) **Date of Patent:** **** Aug. 29, 2017**

(54) **CHARGING CIRCUIT CONTROL DEVICE**

(71) Applicant: **Panasonic Intellectual Property Management Co., Ltd.**, Osaka-shi, Osaka (JP)

(72) Inventors: **Noboru Inagaki**, Mie (JP); **Hideki Kawahara**, Mie (JP); **Shinichi Nakamura**, Osaka (JP); **Masahiko Kimura**, Mie (JP)

(73) Assignee: **PANASONIC INTELLECTUAL PROPERTY MANAGEMENT CO., LTD.**, Osaka (JP)

(**) Term: **15 Years**

(21) Appl. No.: **29/566,237**

(22) Filed: **May 27, 2016**

(30) **Foreign Application Priority Data**

Nov. 30, 2015 (JP) 2015-026650

(51) **LOC (10) Cl.** **13-02**

(52) **U.S. Cl.**
USPC **D13/107**

(58) **Field of Classification Search**
USPC D13/107, 108, 110, 119, 184, 199
CPC H01H 47/22; H02J 7/0042; B60L 11/1818;
B60L 11/1824
See application file for complete search history.

(56) **References Cited**

U.S. PATENT DOCUMENTS

5,847,541 A * 12/1998 Hahn H01R 27/00
320/111
D575,225 S * 8/2008 Ahlgren D13/107

D617,267 S * 6/2010 Li D13/107
D680,065 S * 4/2013 Shibamura D13/107
D733,046 S * 6/2015 Shin D13/107
D744,943 S * 12/2015 Bates D13/107
D788,032 S * 5/2017 Yang D13/107
2011/0148355 A1* 6/2011 Nakamura B60L 11/1824
320/109
2011/0204715 A1* 8/2011 Nakamura B60L 11/1818
307/10.1
2011/0204849 A1* 8/2011 Mukai B60L 3/0069
320/111
2014/0292272 A1* 10/2014 Inagaki H01H 47/22
320/109

* cited by examiner

Primary Examiner — Selina Sikder

(74) *Attorney, Agent, or Firm* — Brinks Gilson & Lione

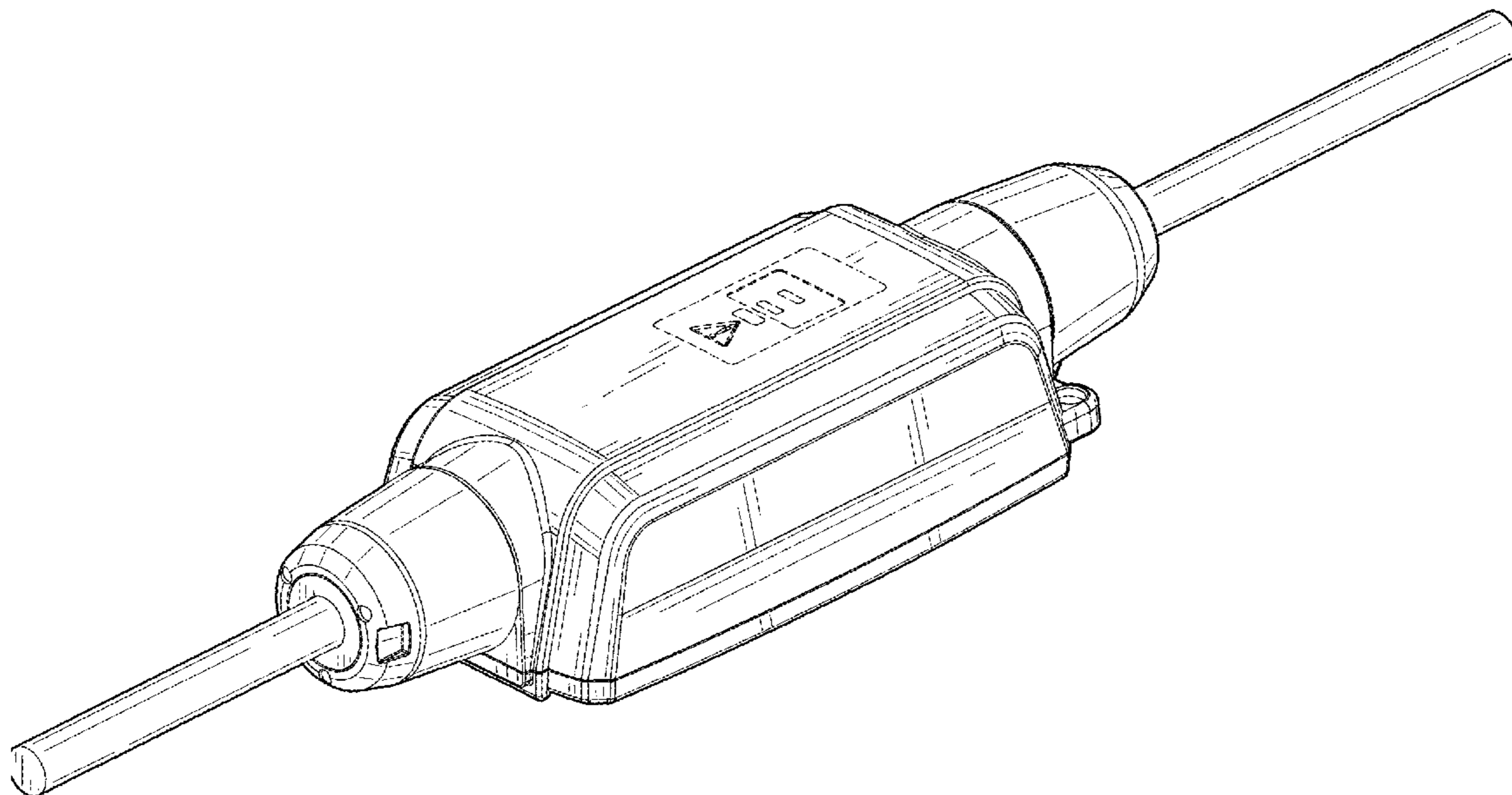
(57) **CLAIM**

We claim the ornamental design for a charging circuit control device, as shown and described.

DESCRIPTION

FIG. 1 is a front and top perspective view of a charging circuit control device of the present invention;
FIG. 2 is a front view thereof;
FIG. 3 is a rear view thereof;
FIG. 4 is a top view thereof;
FIG. 5 is a bottom view thereof;
FIG. 6 is a first side view thereof;
FIG. 7 is a second side view thereof; and,
FIG. 8 is a top view thereof, showing unclaimed environmental structure.
The broken lines shown represent unclaimed subject matter and form no part of the claimed design.

1 Claim, 5 Drawing Sheets



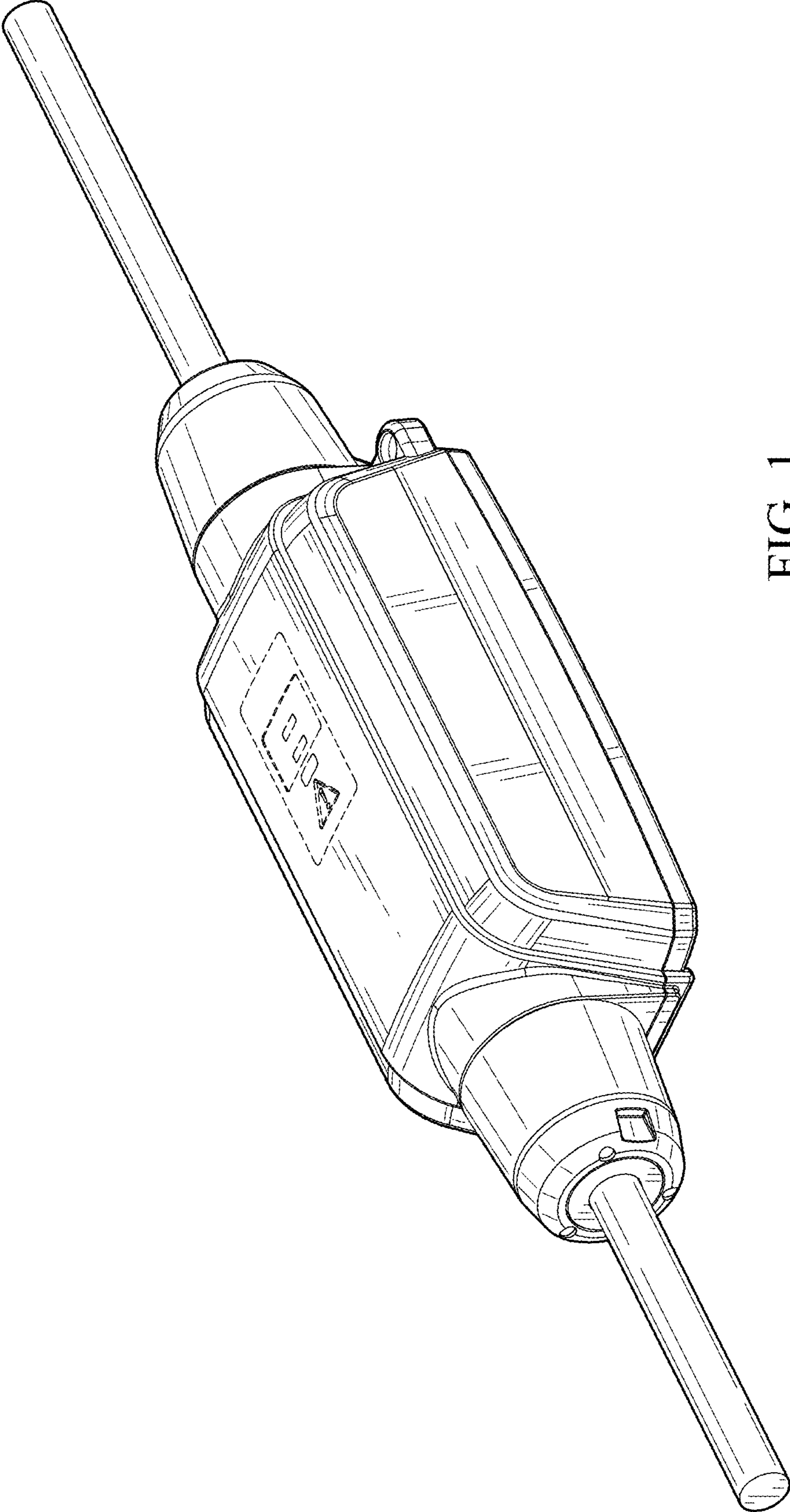


FIG. 1

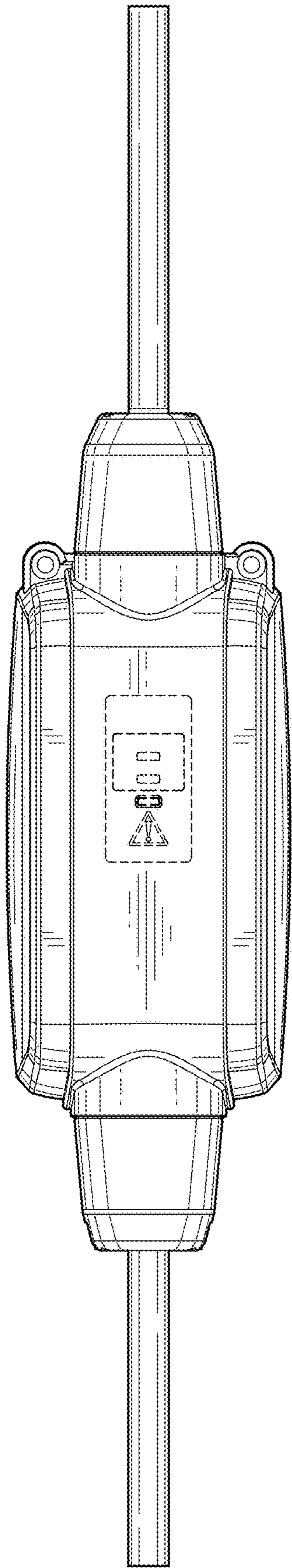


FIG. 2

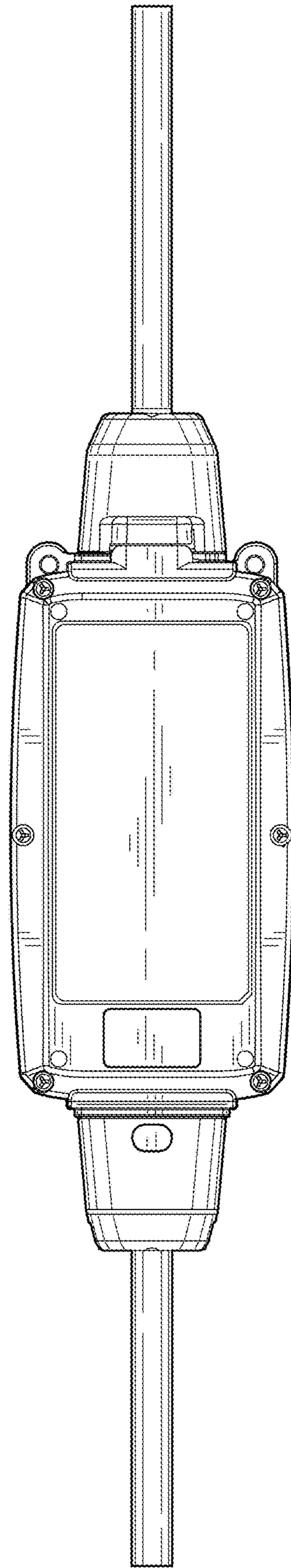


FIG. 3

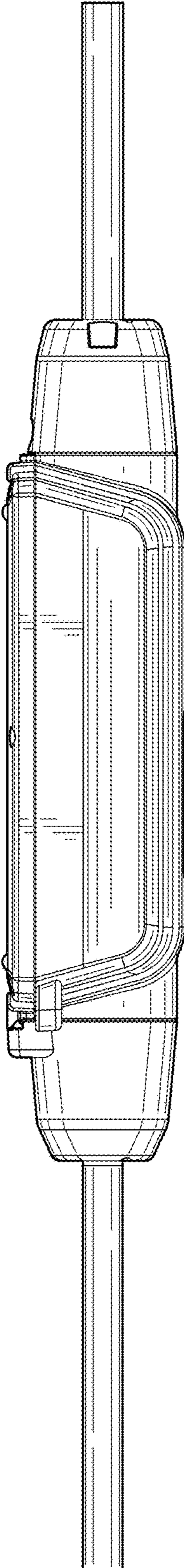


FIG. 4

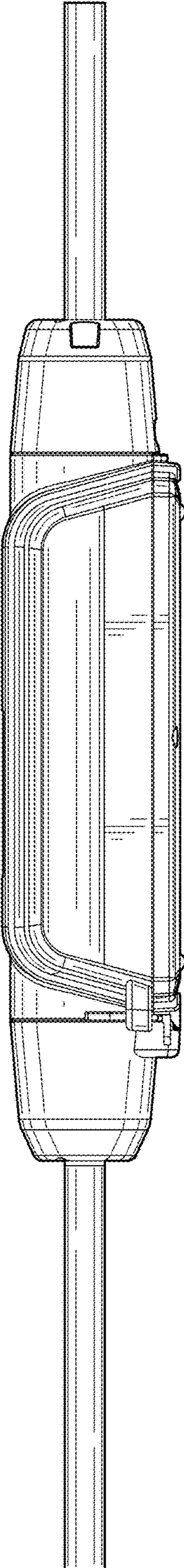


FIG. 5

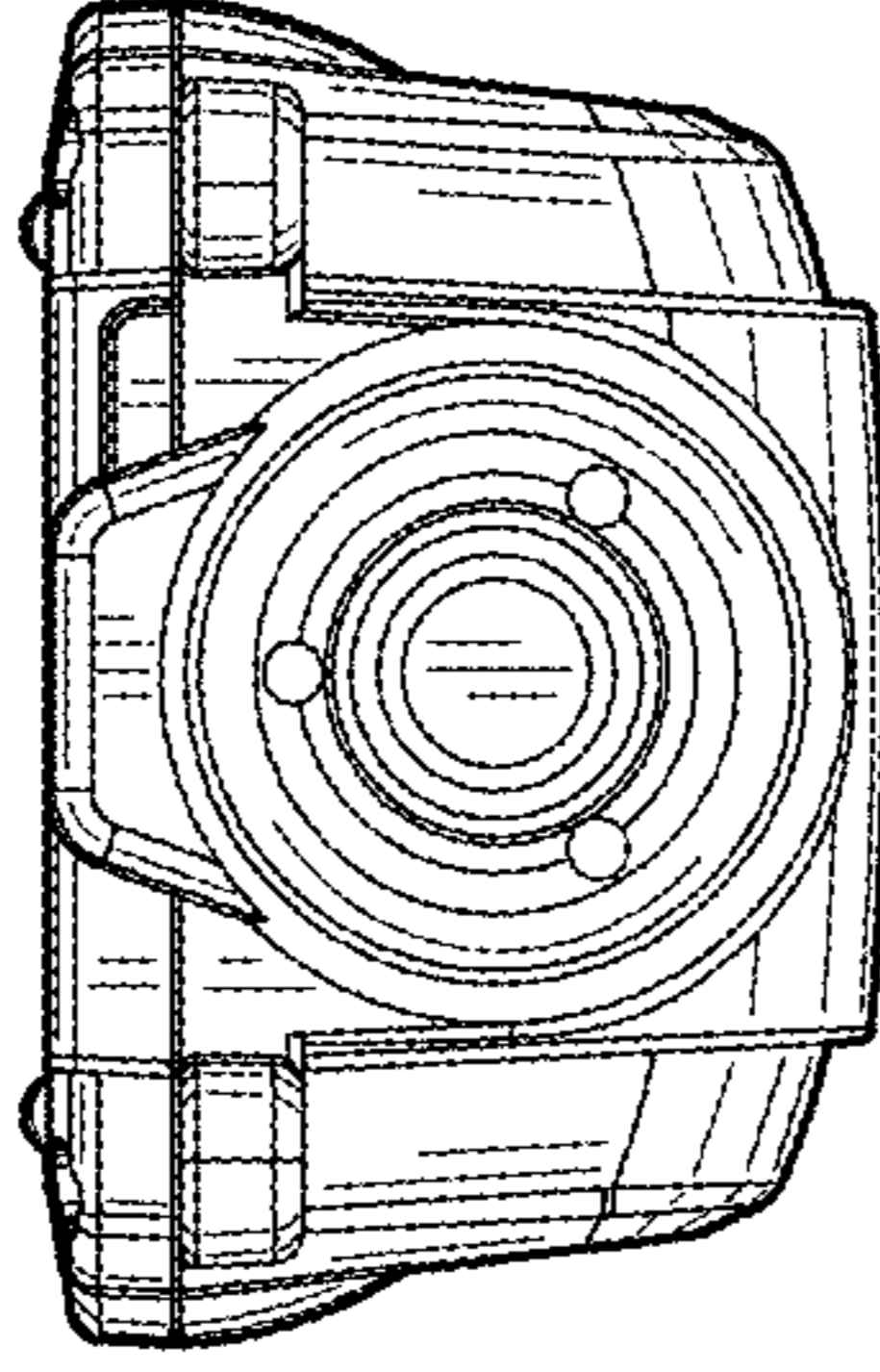


FIG. 6

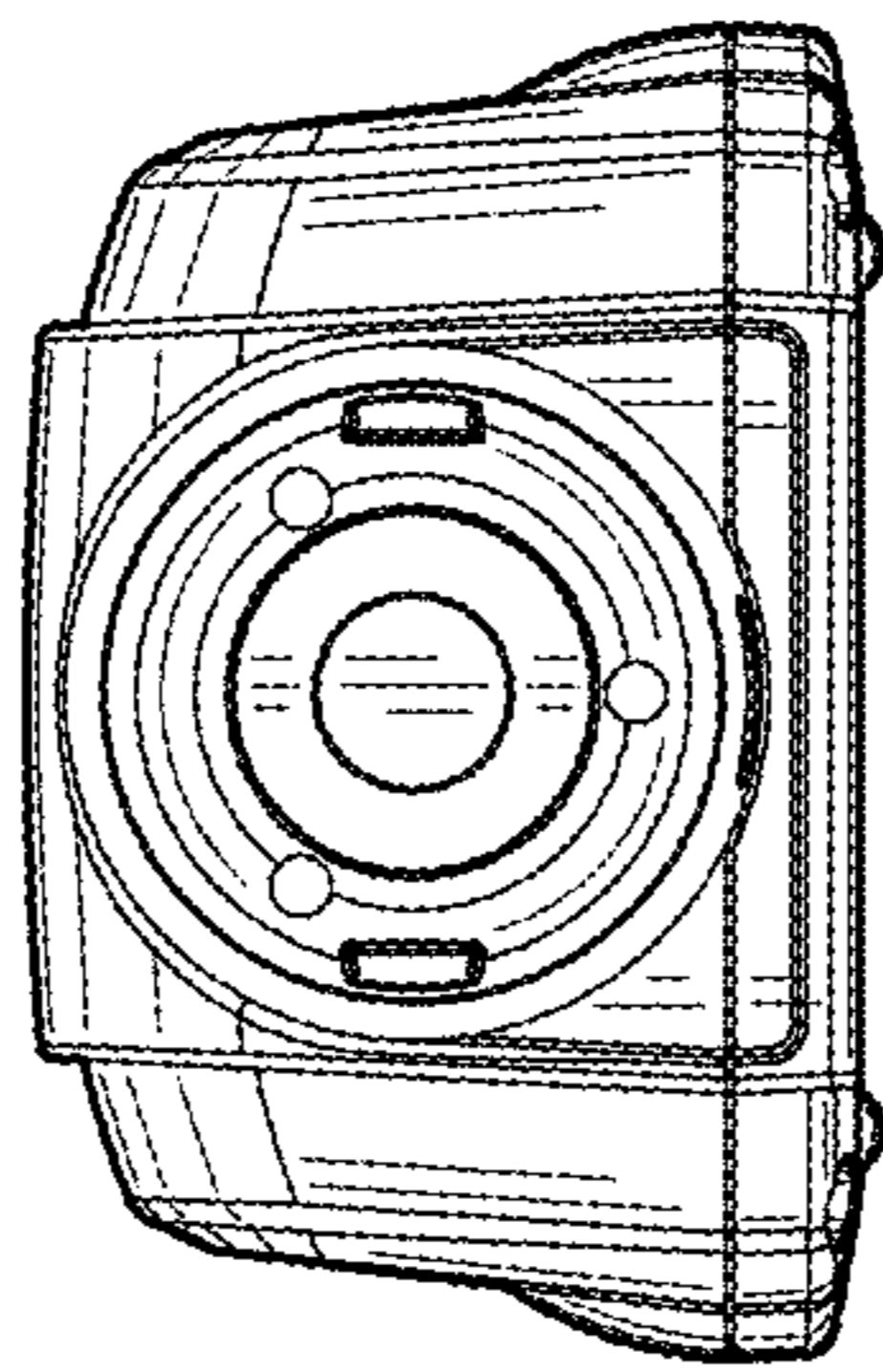


FIG. 7

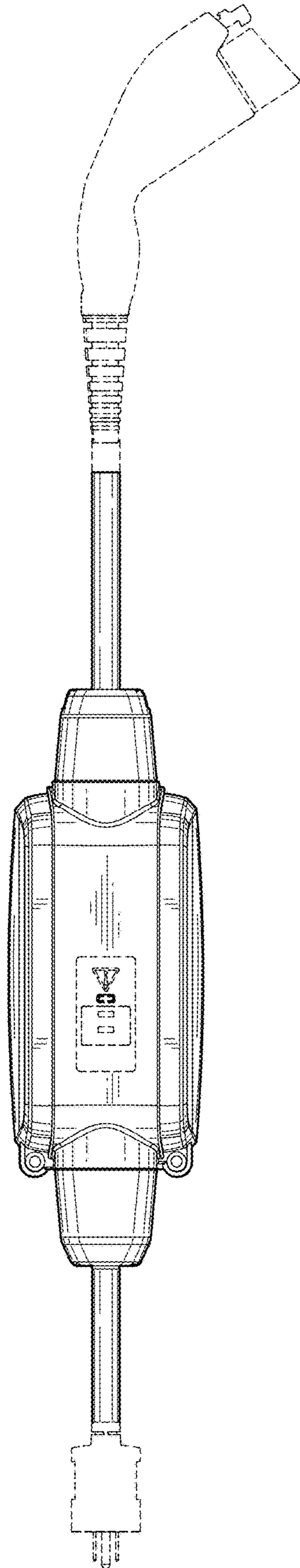


FIG. 8