



US00D795799S

(12) **United States Design Patent**  
**Grzyb et al.**

(10) **Patent No.:** **US D795,799 S**

(45) **Date of Patent:** **\*\* Aug. 29, 2017**

(54) **CHARCOAL FUEL ARTICLE**

(71) Applicant: **CARBOPOL JANUSZ GRZYB,**  
Zawiercie (PL)

(72) Inventors: **Lukasz Grzyb,** Zawiercie (PL); **Janusz Grzyb,** Zawiercie (PL); **Sergey Evglevskiy,** Moscow (RU)

(73) Assignee: **CARBOPOL JANUSZ GRZYB,**  
Zawiercie (PL)

(\*\*) Term: **14 Years**

(21) Appl. No.: **29/518,746**

(22) Filed: **Feb. 26, 2015**

(51) **LOC (10) Cl.** ..... **23-05**

(52) **U.S. Cl.**  
USPC ..... **D13/100**

(58) **Field of Classification Search**  
USPC ..... D13/100, 184, 199; D1/100, 127, 130, D1/199; 44/500, 502-505, 519, 530, 531, 44/532, 533, 543, 545, 576, 579, 590, 44/594, 595, 596, 603, 606; D3/203.2, D3/203.4; D19/187  
CPC ..... C10L 5/00; C10L 5/02; C10L 5/36; C10L 5/361; C10L 5/368; C10L 1/02; C10L 1/04; C10L 1/14

See application file for complete search history.

(56) **References Cited**

**U.S. PATENT DOCUMENTS**

- 1,959,472 A \* 5/1934 Heffernan, Jr. .... C10L 5/44 44/530
- D187,372 S \* 3/1960 Dailey ..... D1/127
- 3,723,614 A \* 3/1973 Langauer ..... A61K 9/2072 424/467
- D517,005 S \* 3/2006 Melin ..... C10L 5/36 D13/100
- D561,090 S \* 2/2008 Saunders ..... D13/100
- D649,510 S \* 11/2011 Christensen ..... D13/100

- D649,511 S \* 11/2011 Christensen ..... D13/100
- D720,516 S \* 1/2015 Hatherell ..... D1/130
- 2004/0025419 A1\* 2/2004 Saunders ..... C10L 5/36 44/522

\* cited by examiner

*Primary Examiner* — Derrick Holland

(74) *Attorney, Agent, or Firm* — Lawrence G. Fridman, Esq.; Feigin & Fridman, LLC

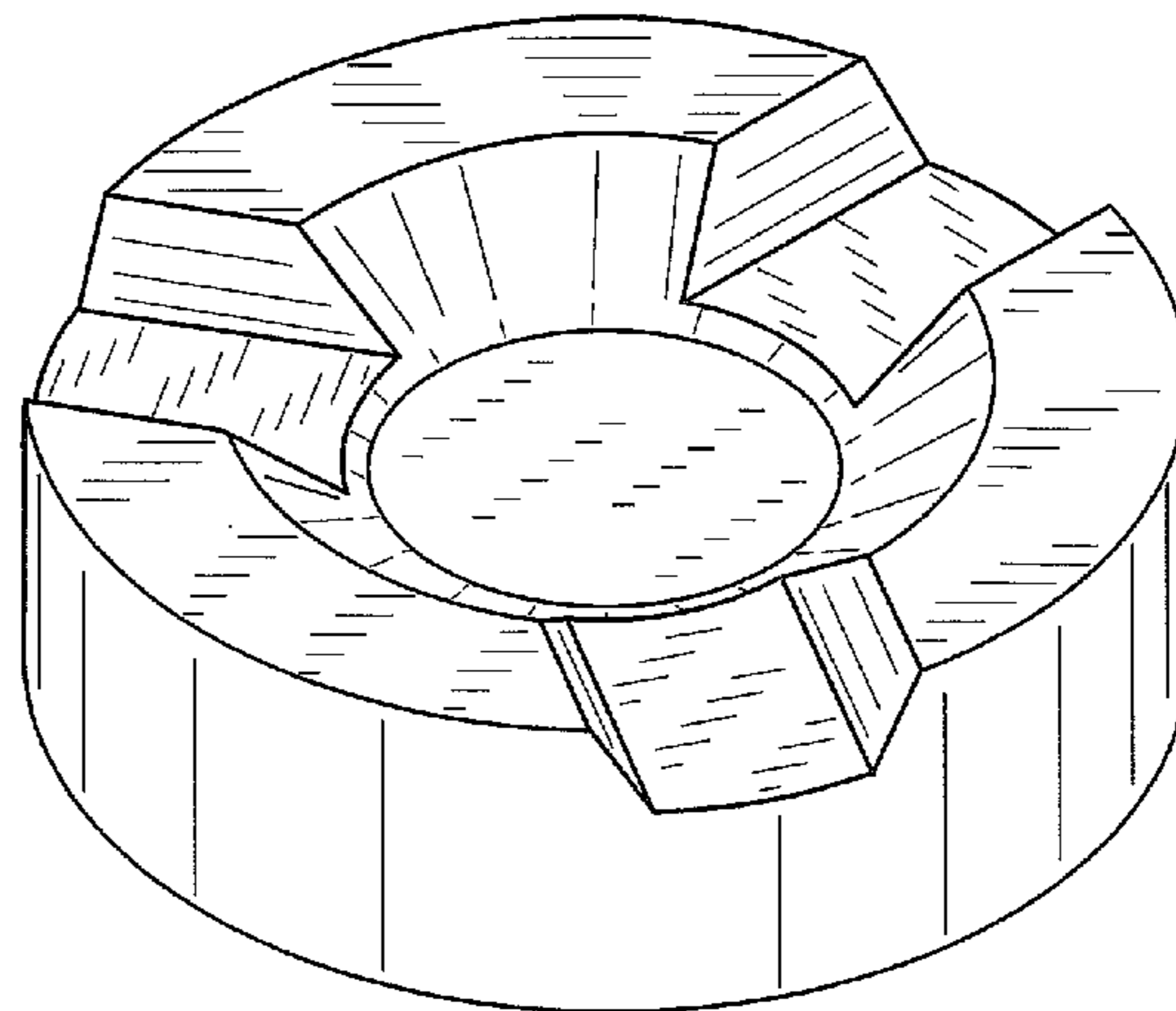
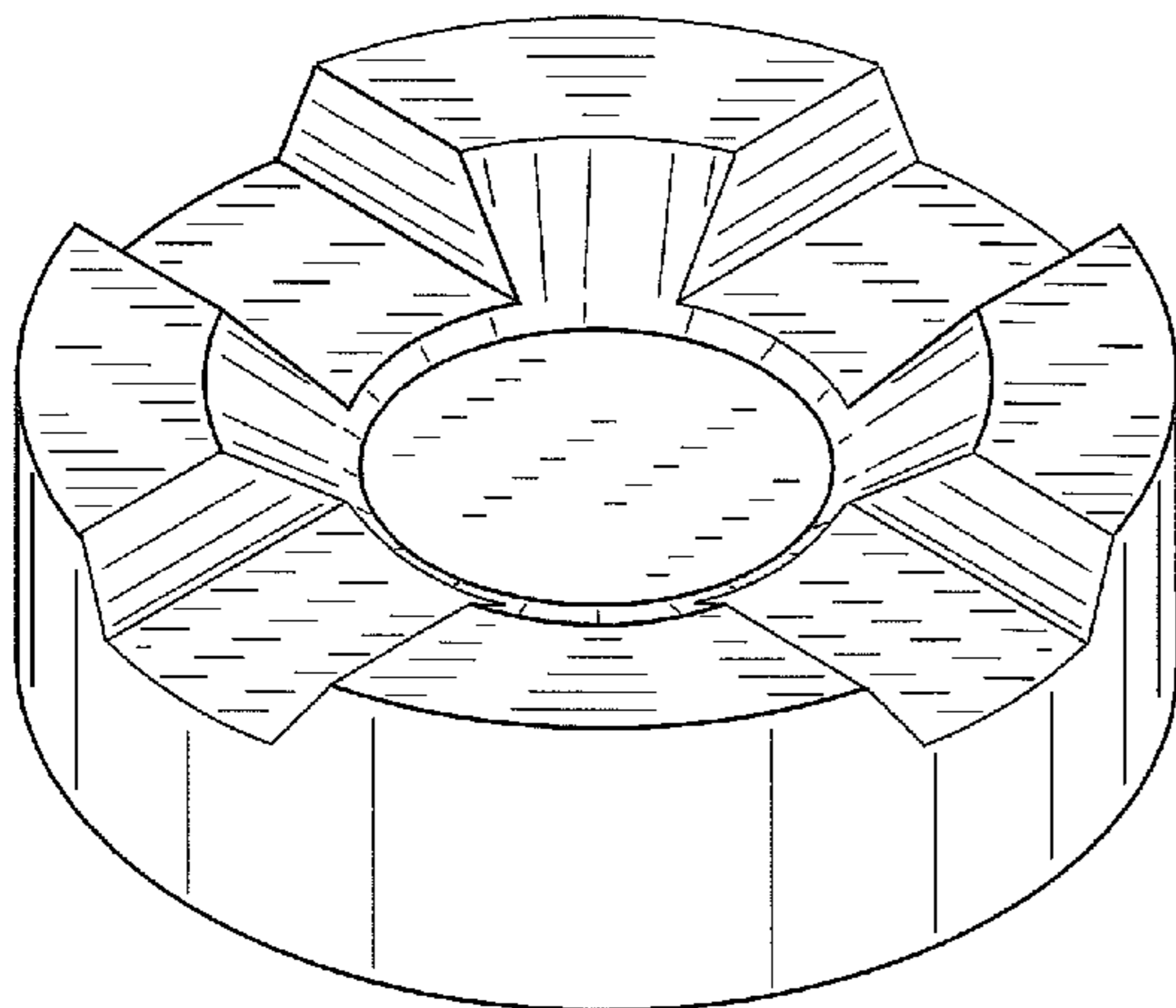
(57) **CLAIM**

The ornamental design for a charcoal fuel article, as shown and described.

**DESCRIPTION**

FIG. 1 is a perspective view of a first embodiment of a charcoal fuel article according to our new design;  
 FIG. 2 is a top plan view thereof;  
 FIG. 3 is a front elevational view thereof;  
 FIG. 4 is a rear elevational view thereof;  
 FIG. 5 a right hand side elevational view thereof;  
 FIG. 6 is a left side elevational view thereof;  
 FIG. 7 is a bottom view thereof;  
 FIG. 8 is a perspective view of another embodiment of the charcoal fuel article according to our new design;  
 FIG. 9 is a top plan view thereof;  
 FIG. 10 is a front elevational view thereof;  
 FIG. 11 is a rear elevational view thereof;  
 FIG. 12 is a right hand side elevational view thereof;  
 FIG. 13 is a left hand side elevational view thereof;  
 FIG. 14 is a bottom plan view thereof;  
 FIG. 15 is a perspective view of a further embodiment of the charcoal fuel article according to our new design;  
 FIG. 16 is a top plan view thereof;  
 FIG. 17 is a front elevational view thereof;  
 FIG. 18 is a rear elevational view thereof;  
 FIG. 19 is a right hand side elevational view thereof;  
 FIG. 20 is a left hand side elevational view thereof; and,  
 FIG. 21 is a bottom plan view thereof.

**1 Claim, 9 Drawing Sheets**



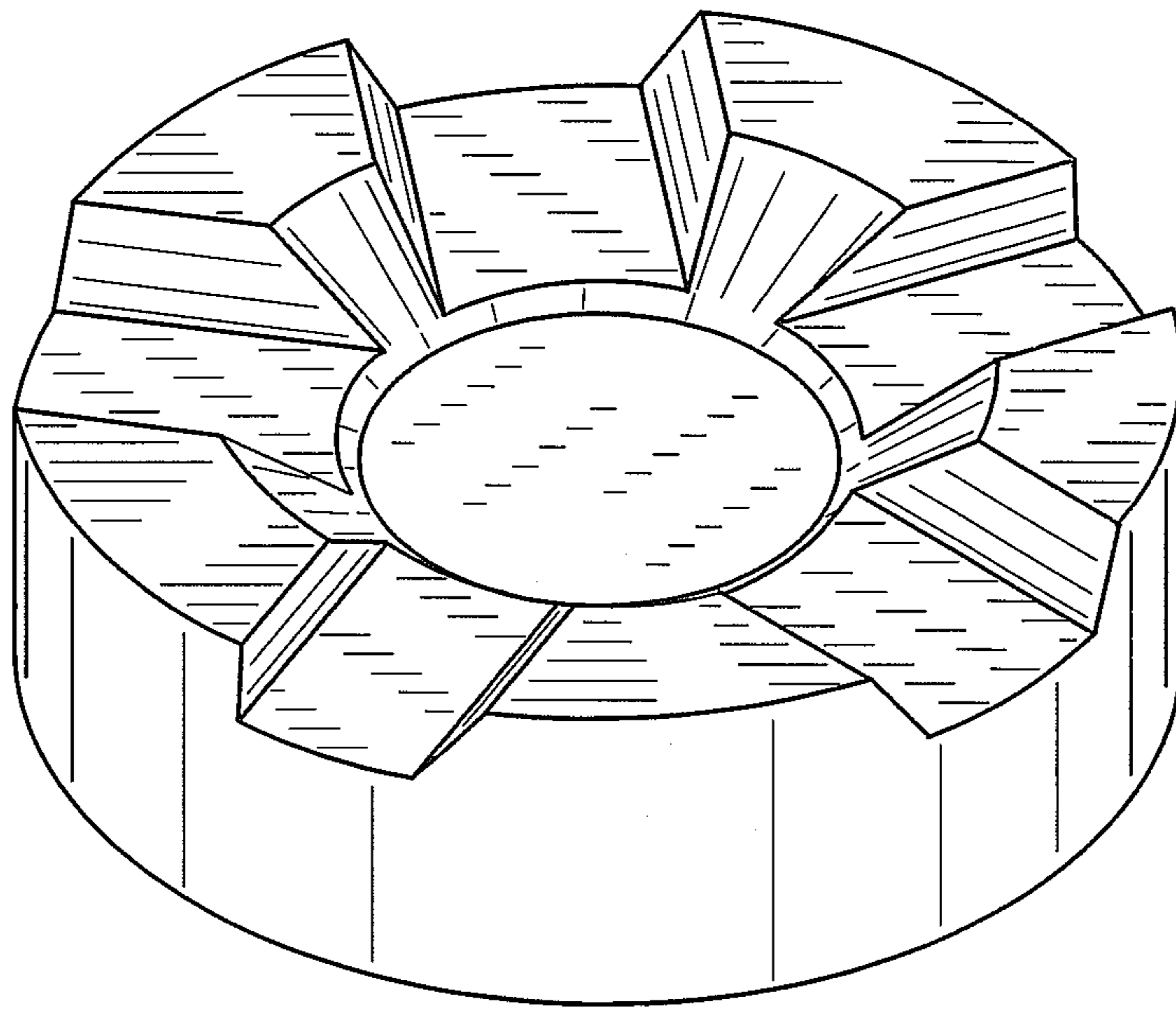


FIG. 1

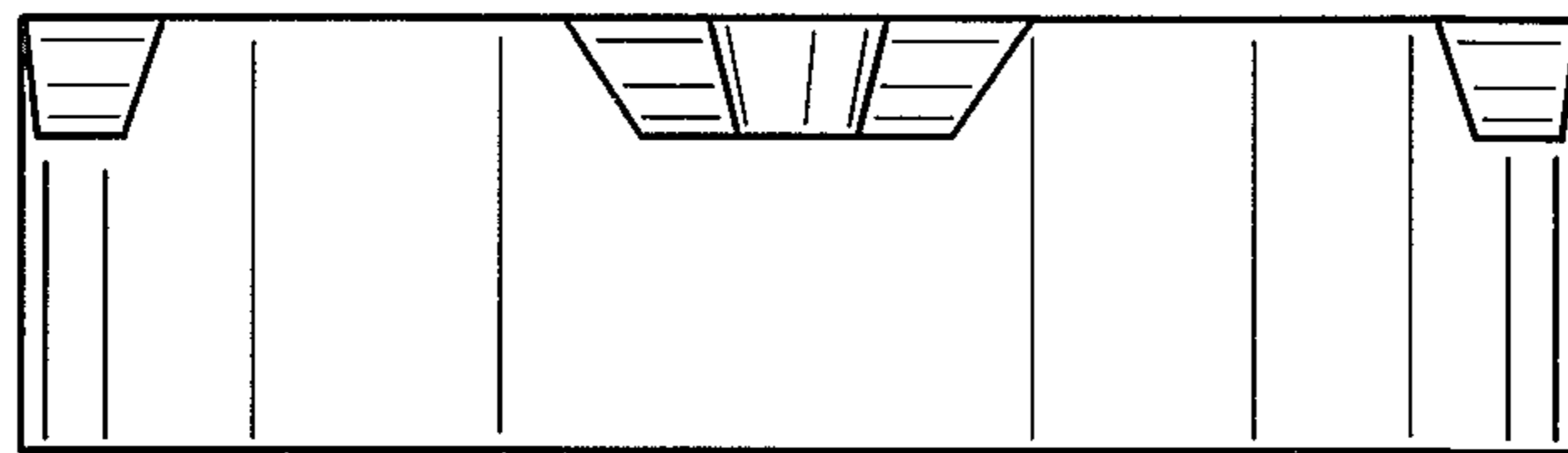


FIG. 4

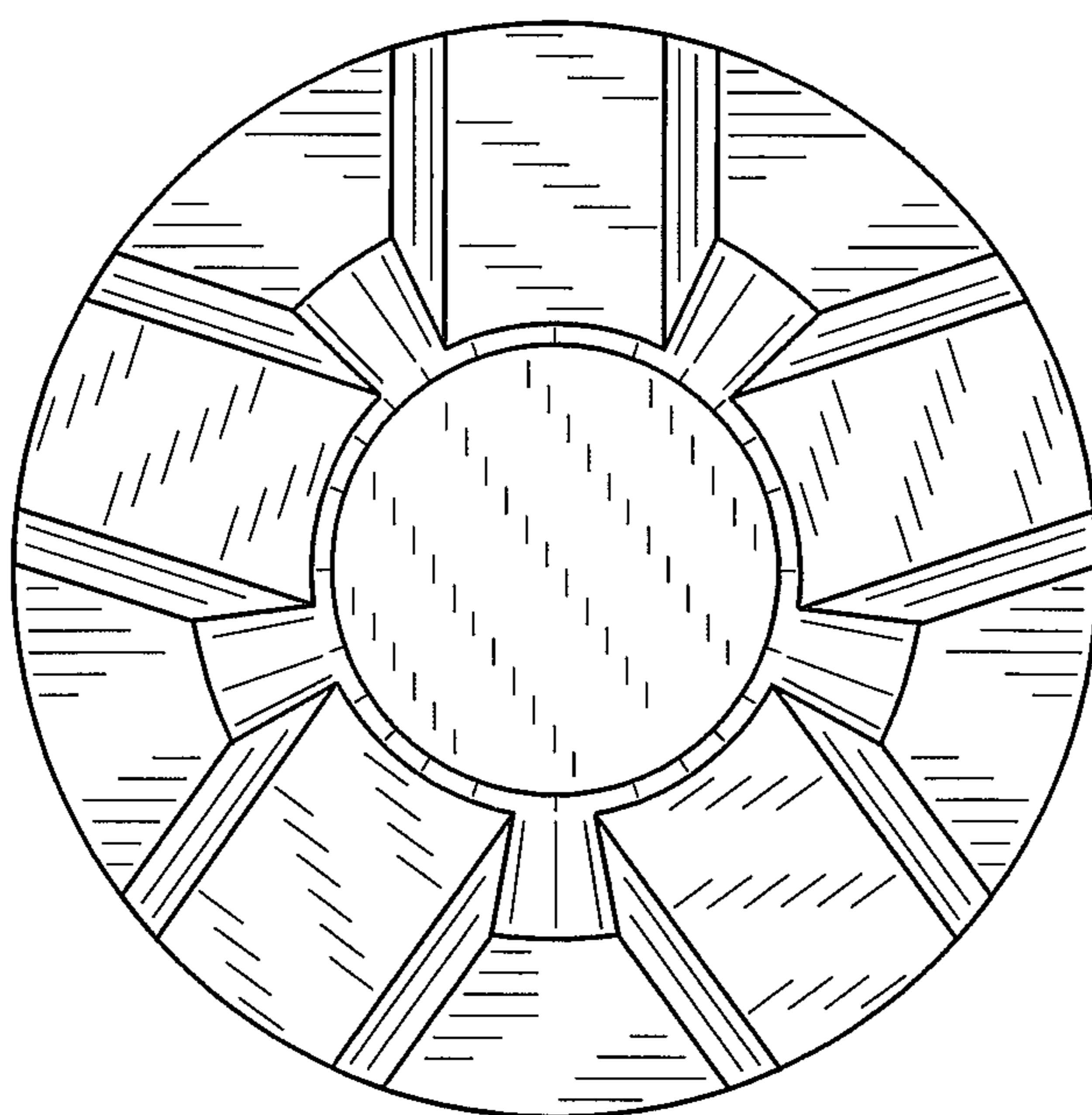


FIG. 2

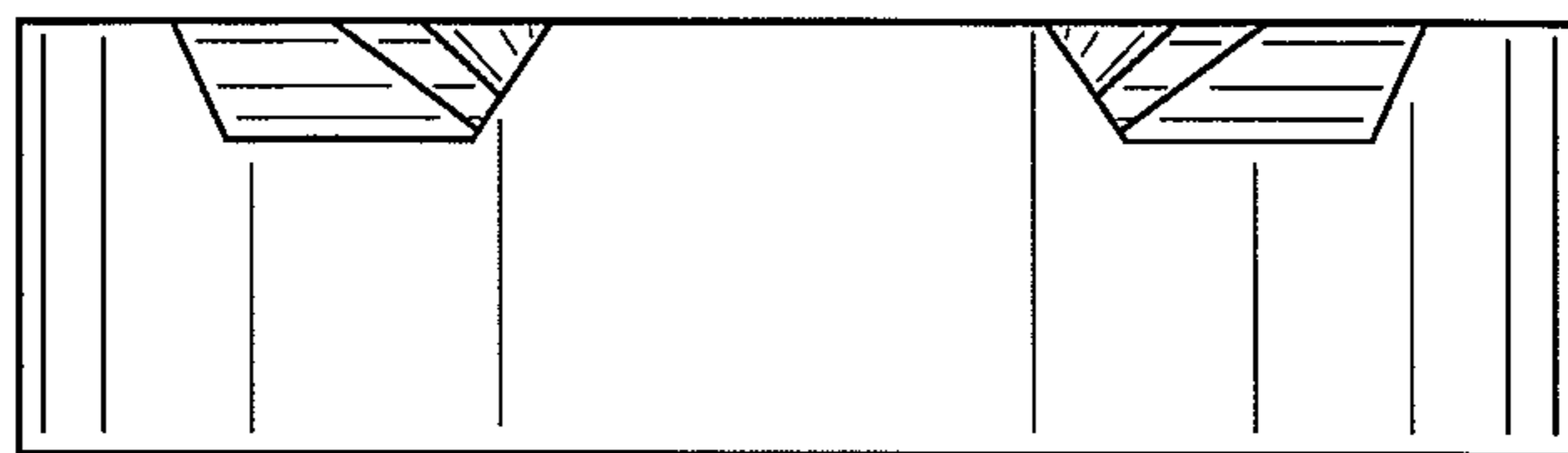


FIG. 3

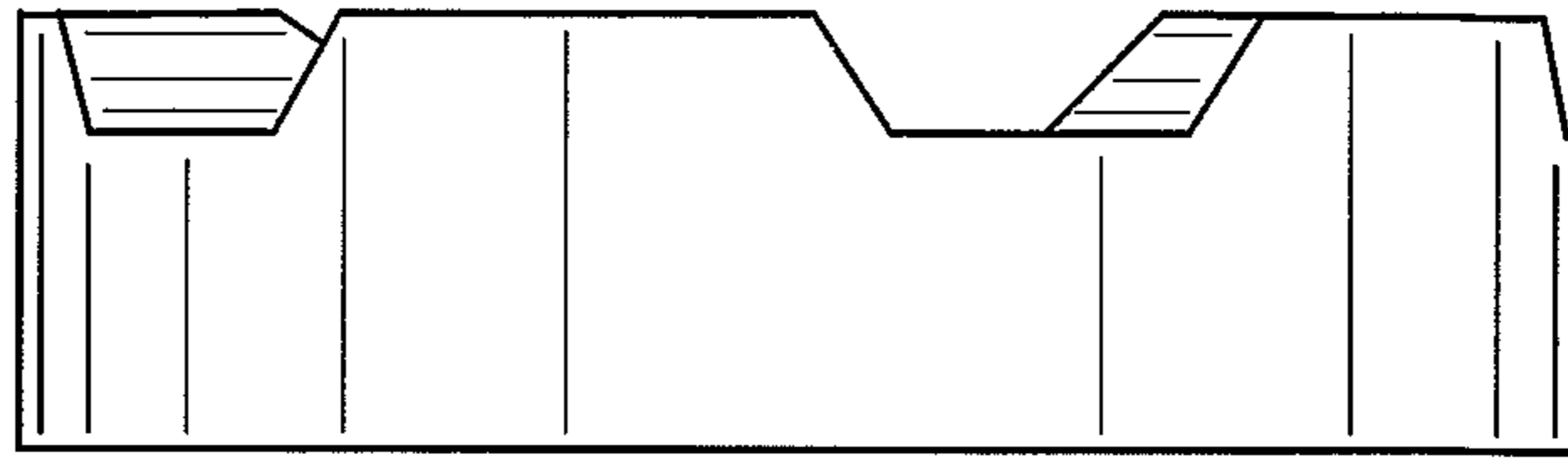


FIG. 5

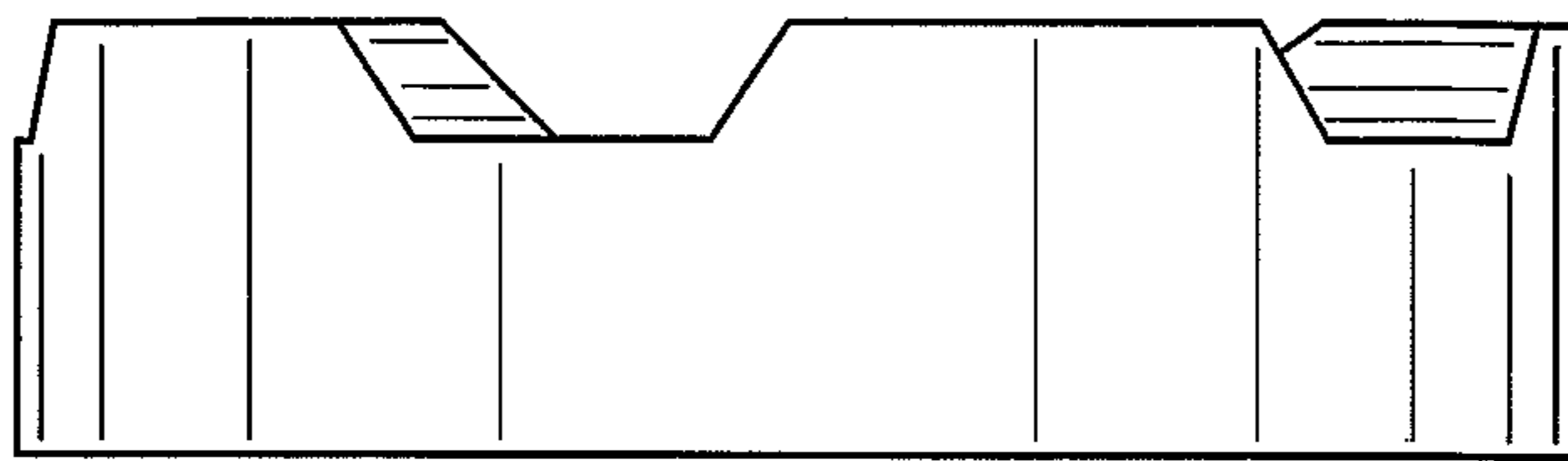


FIG. 6

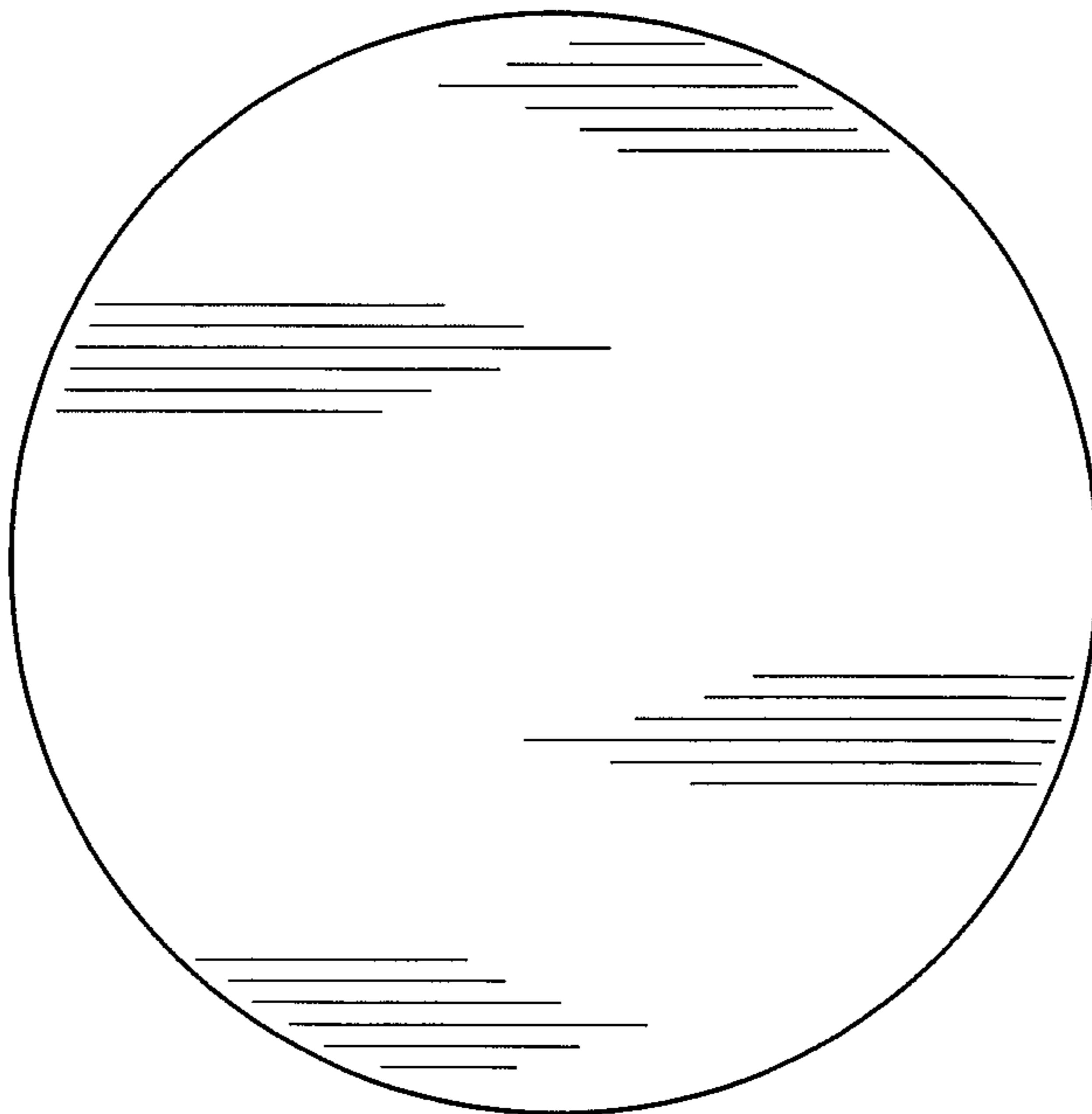


FIG. 7

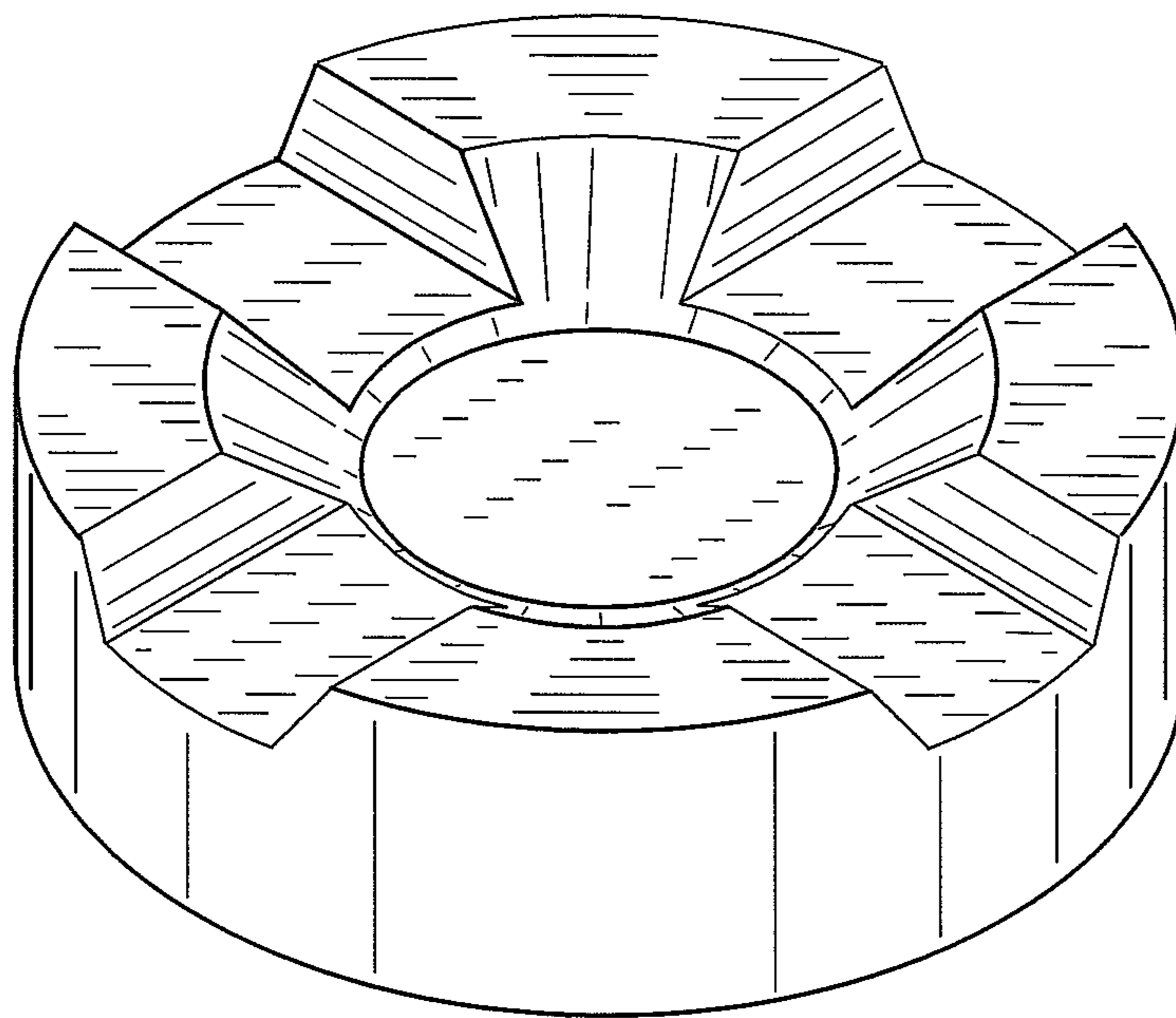


FIG. 8

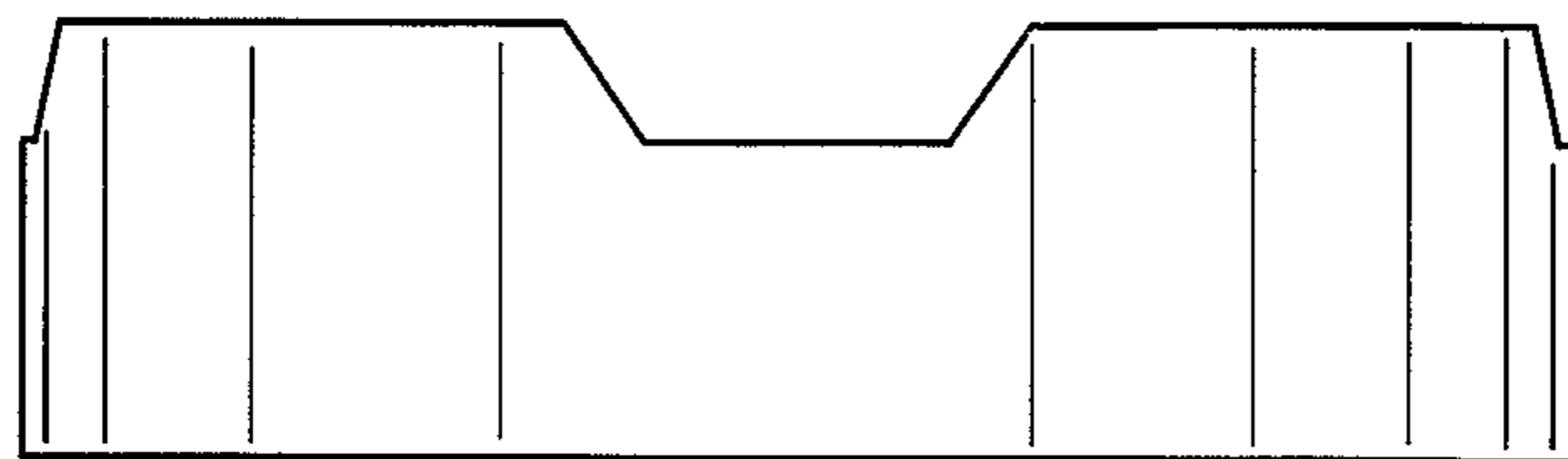


FIG. 11

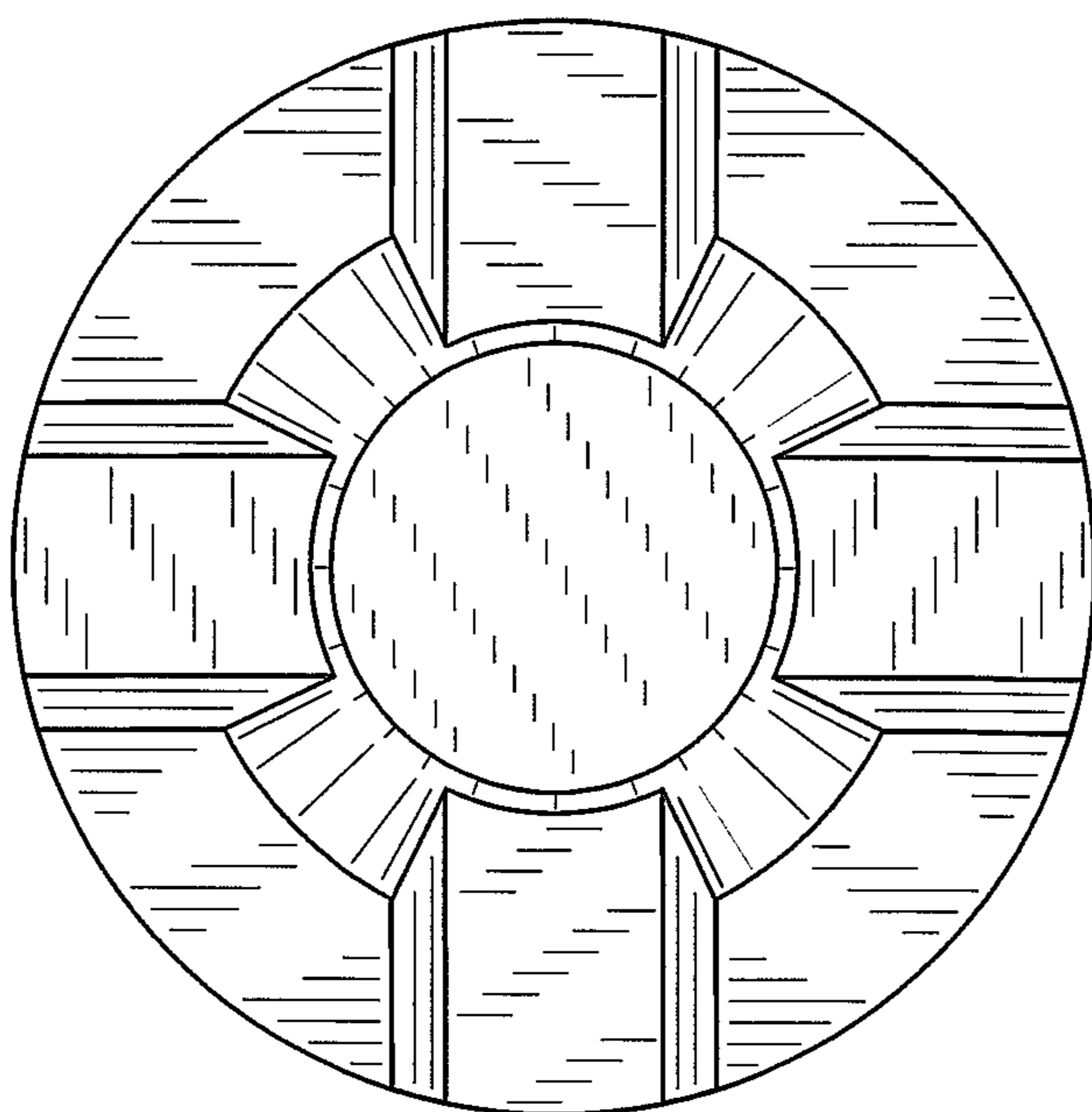


FIG. 9

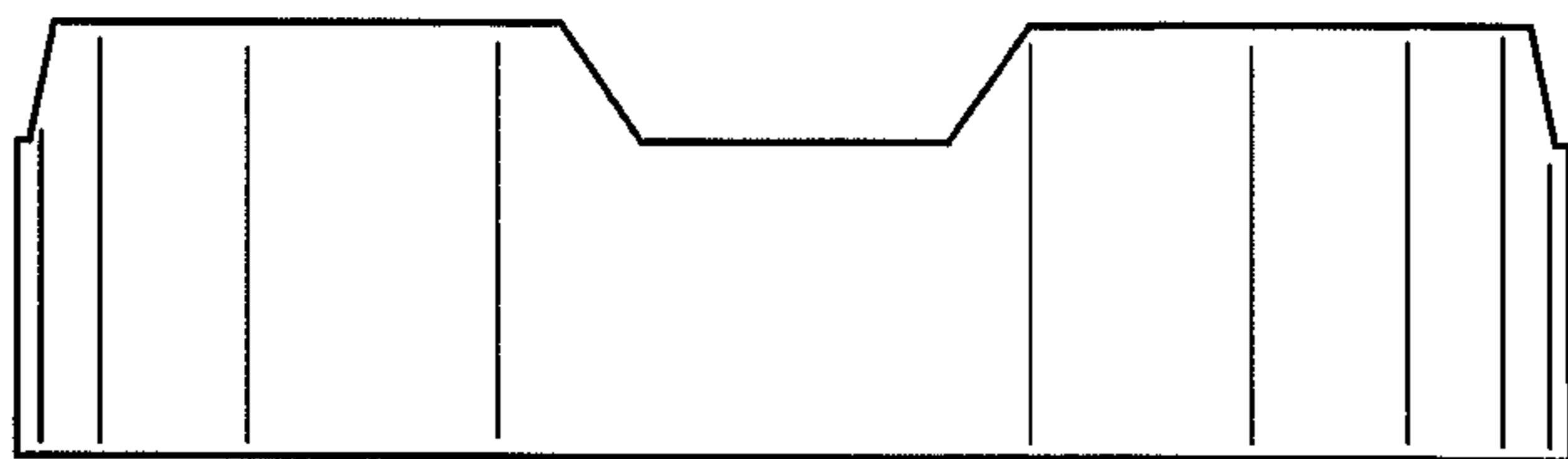


FIG. 10

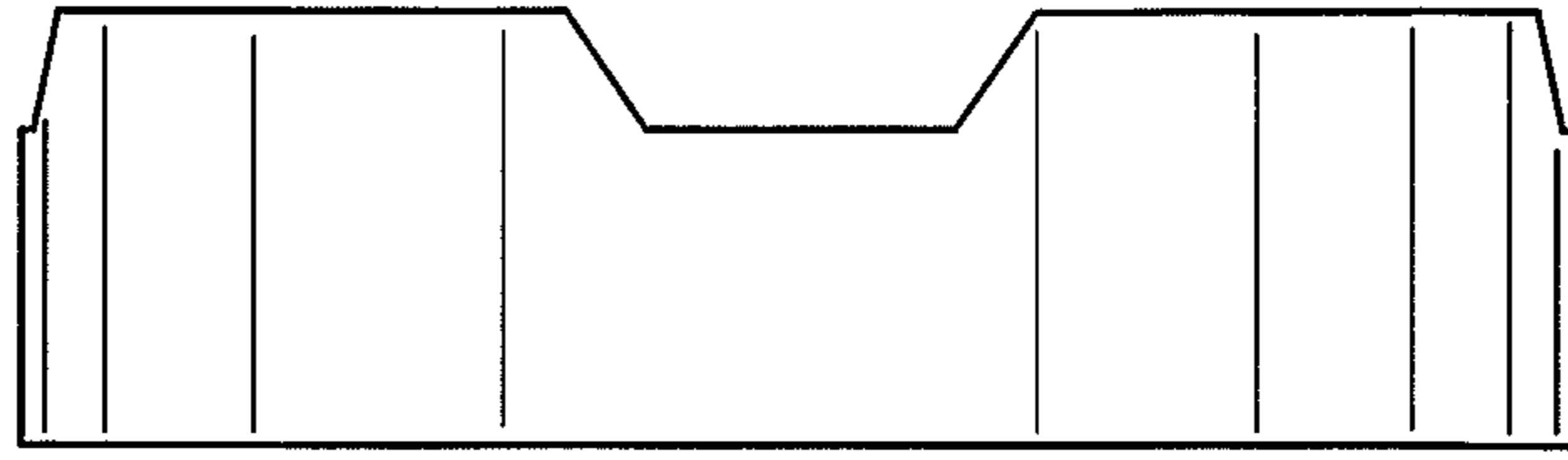


FIG. 12

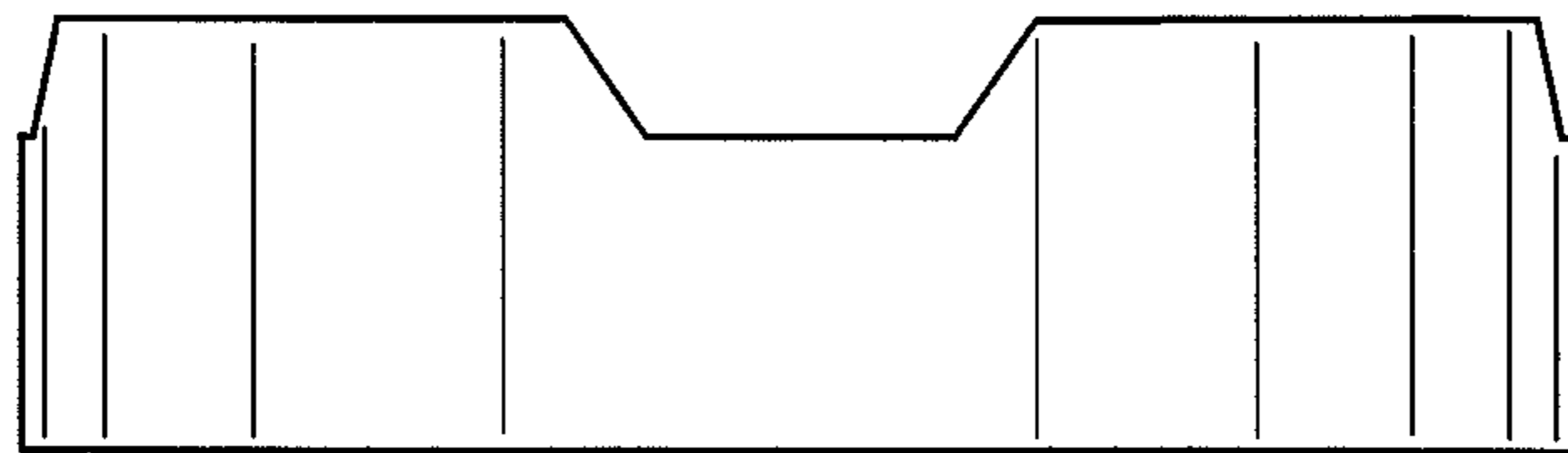


FIG. 13

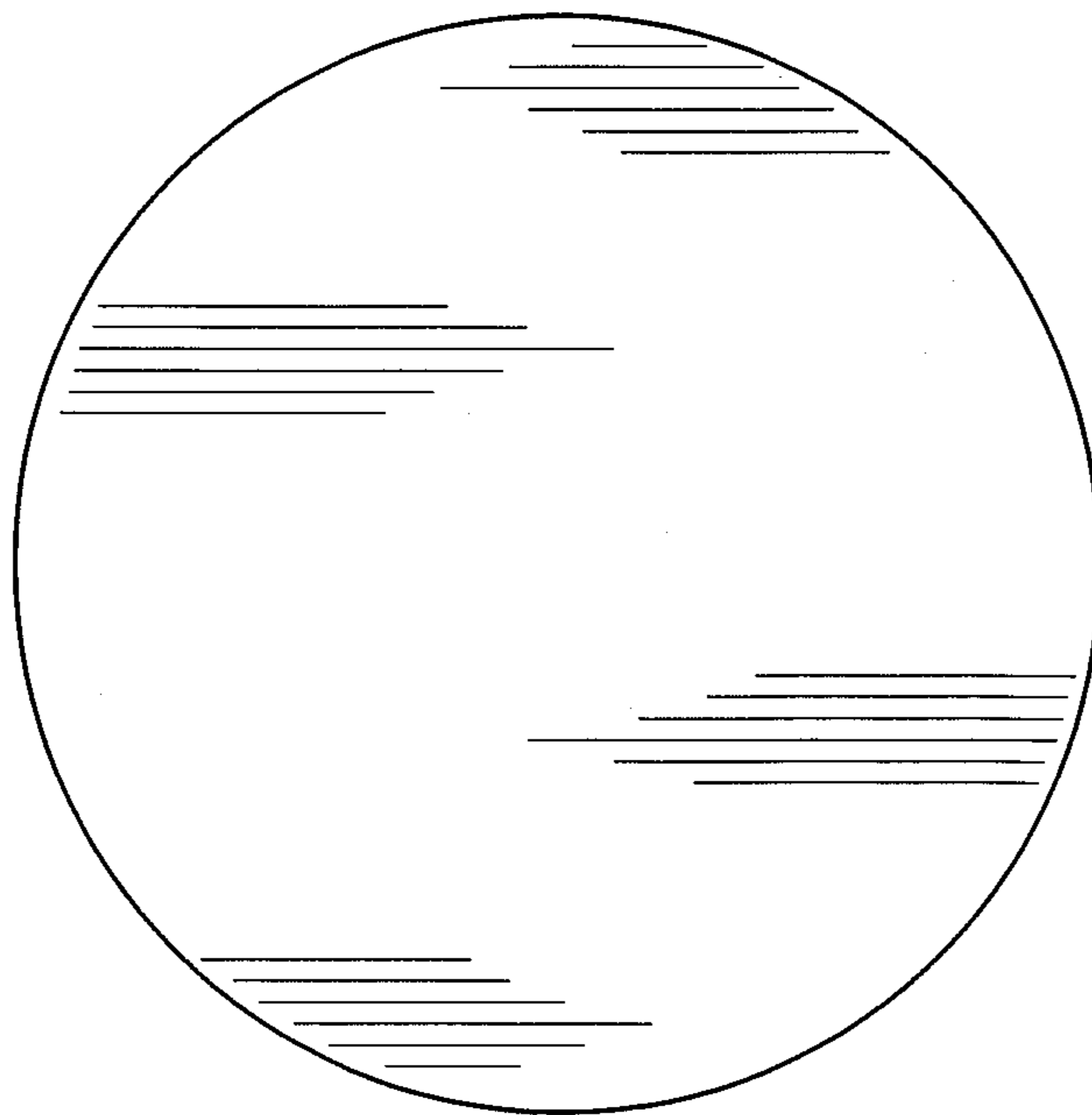


FIG. 14

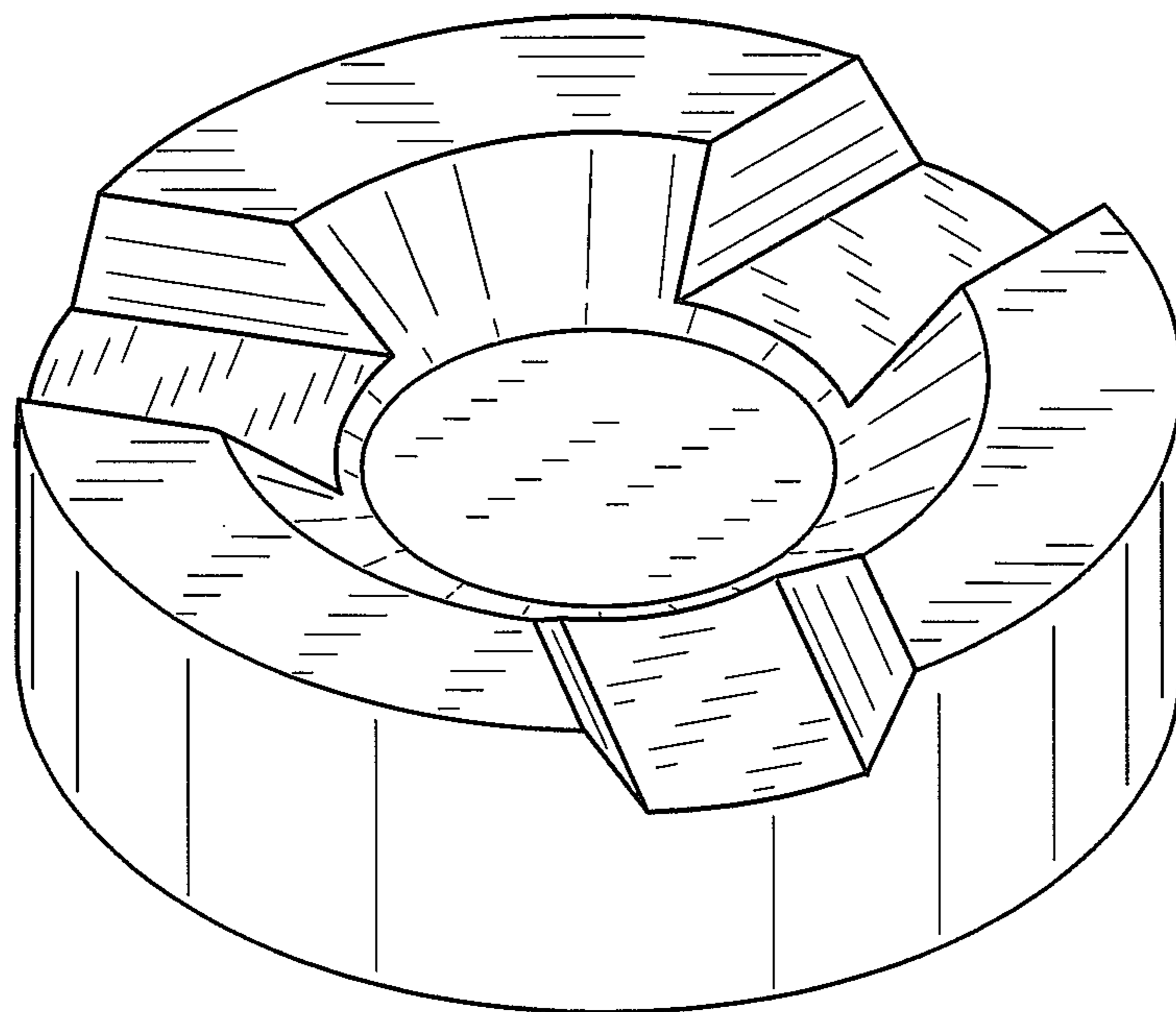


FIG. 15



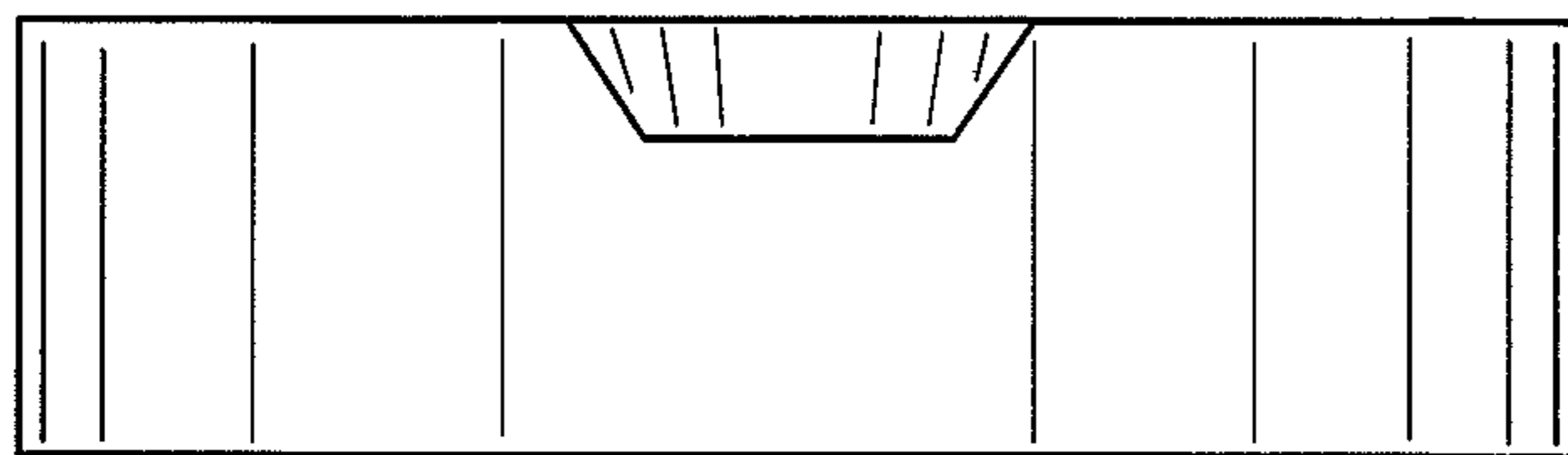


FIG. 18

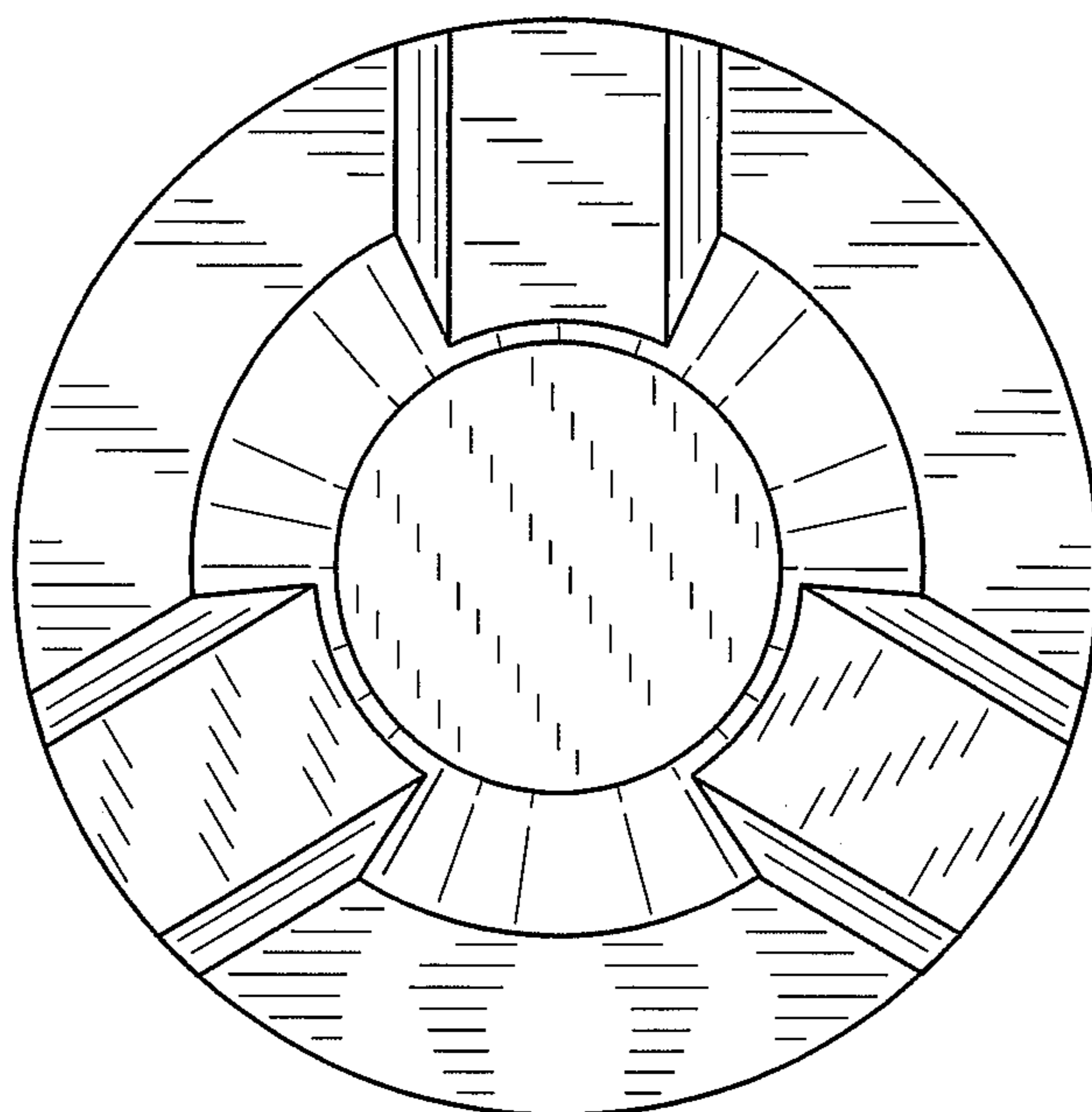


FIG. 16

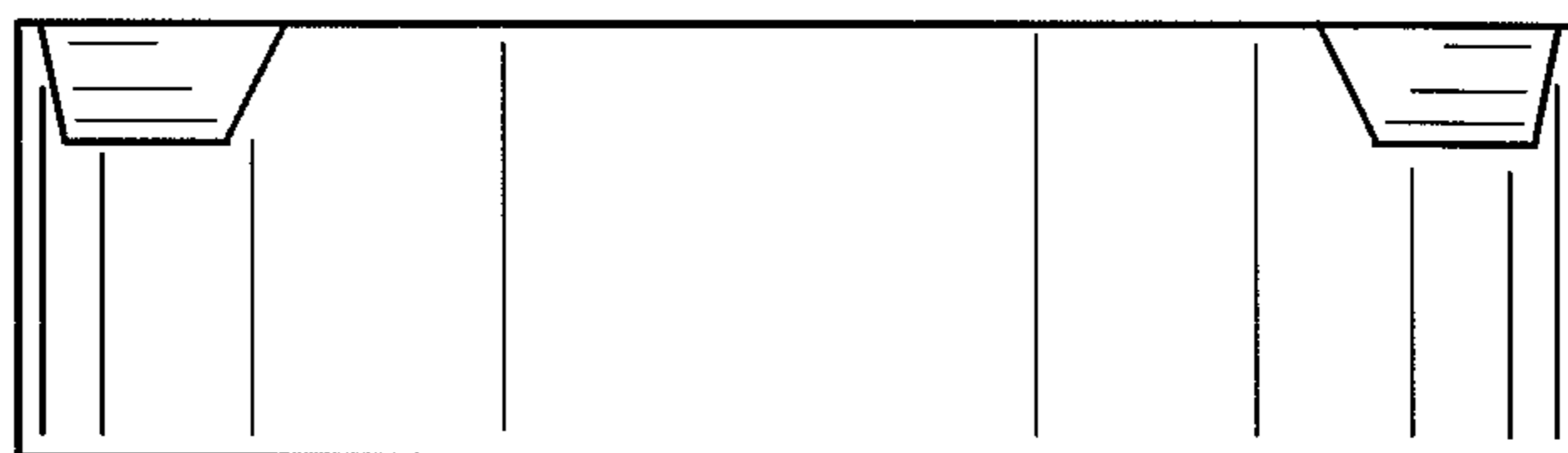


FIG. 17

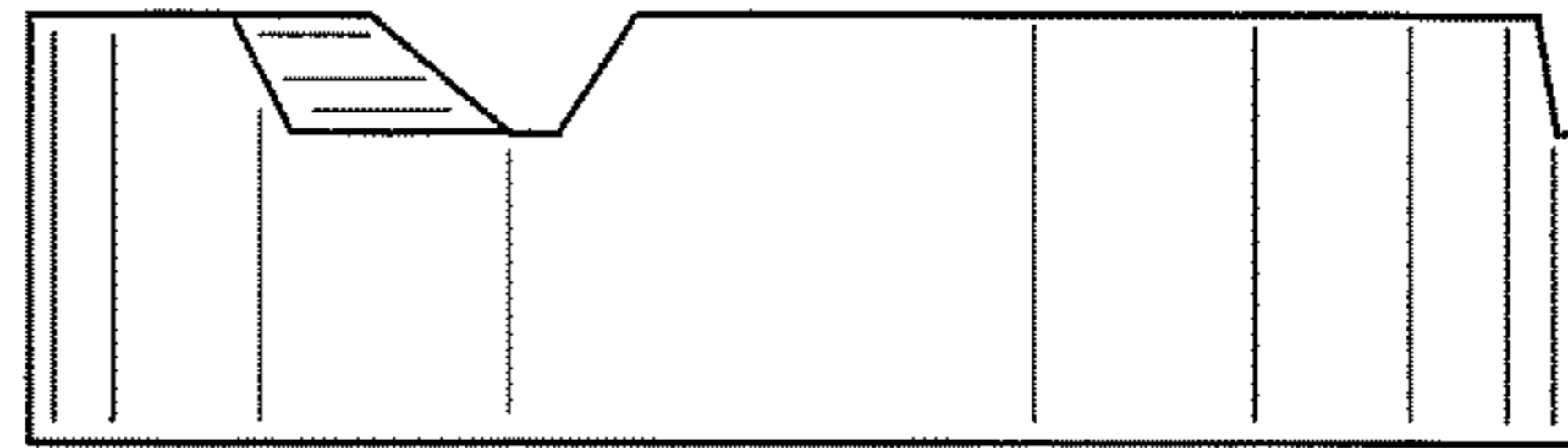


FIG. 19

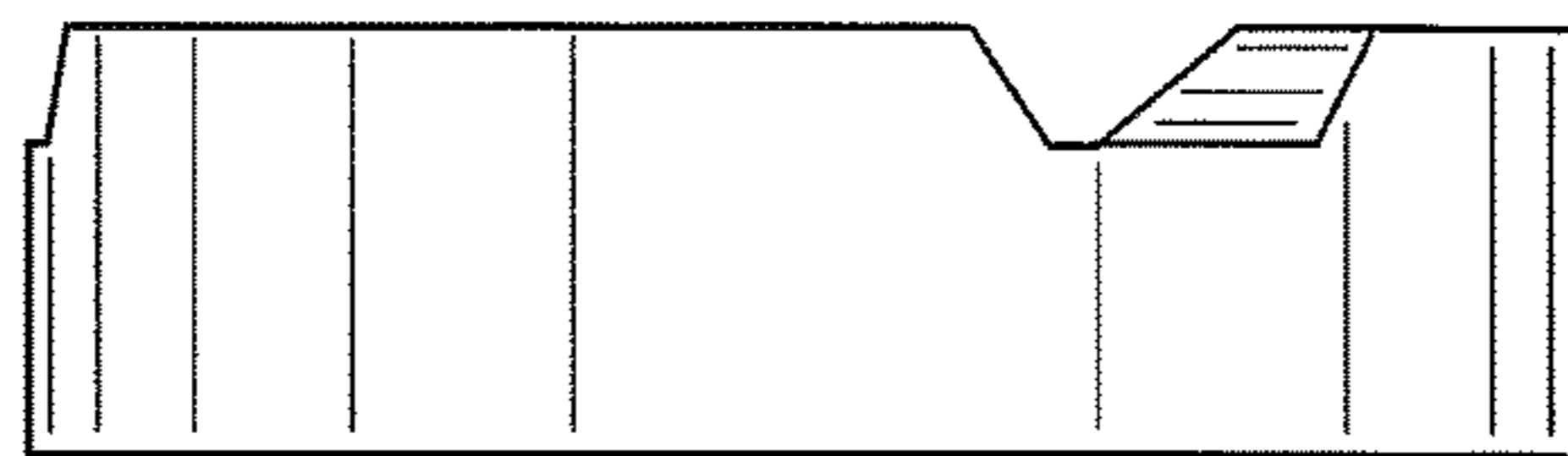


FIG. 20

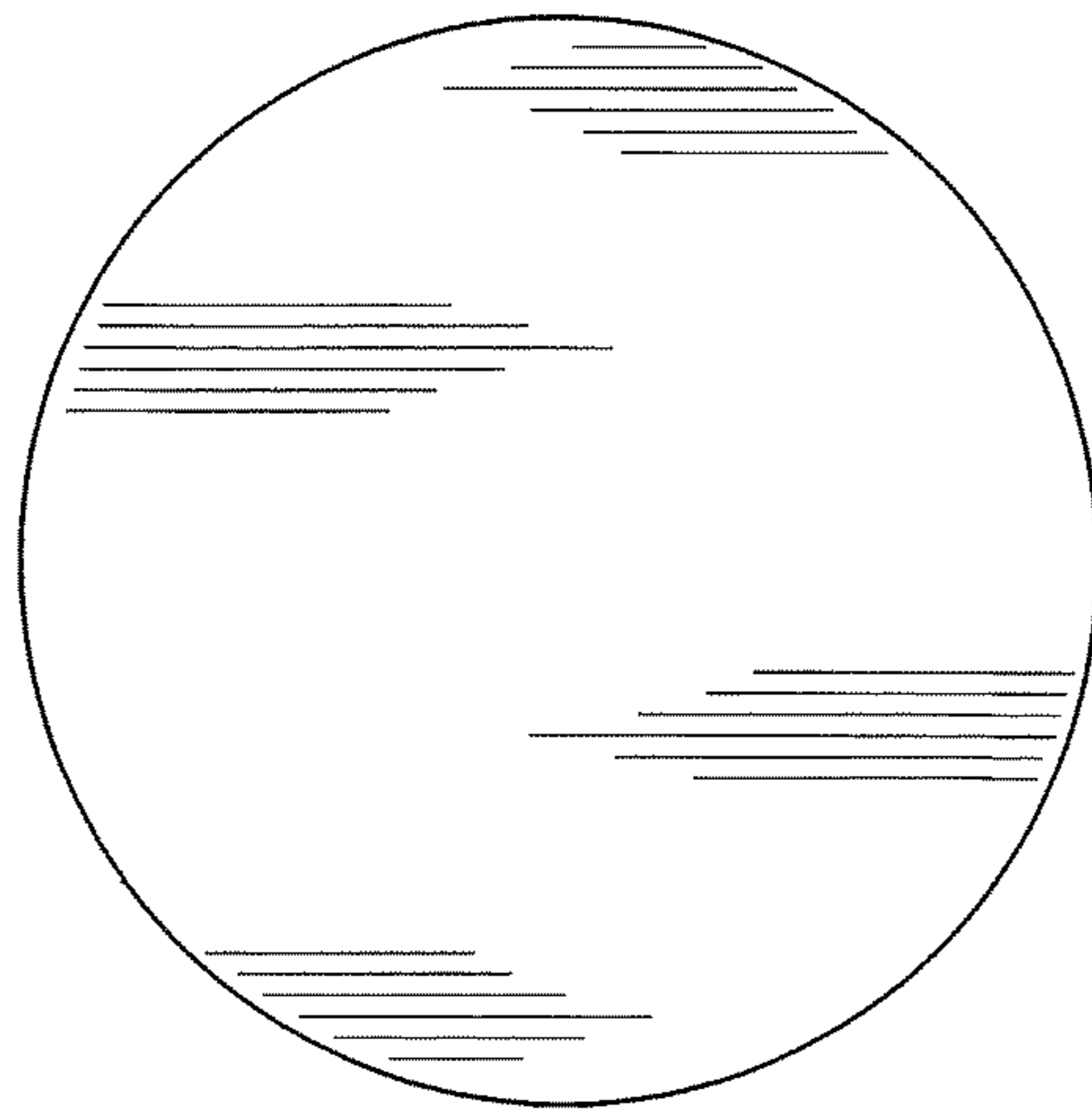


FIG. 21