



US00D795794S

(12) **United States Design Patent**
Thieman

(10) **Patent No.:** **US D795,794 S**

(45) **Date of Patent:** **** Aug. 29, 2017**

(54) **TIRE**

(71) Applicant: **COOPER TIRE & RUBBER COMPANY**, Findlay, OH (US)

(72) Inventor: **Kurt A. Thieman**, Findlay, OH (US)

(73) Assignee: **COOPER TIRE & RUBBER COMPANY**, Findlay, OH (US)

(**) Term: **15 Years**

(21) Appl. No.: **29/569,121**

(22) Filed: **Jun. 23, 2016**

(51) **LOC (10) Cl.** **12-15**

(52) **U.S. Cl.**
USPC **D12/579**; D12/596; D12/605

(58) **Field of Classification Search**
USPC D12/579, 596, 597, 599, 600, 602, 603, D12/604
CPC . B60C 11/03; B60C 11/0306; B60C 11/0311; B60C 11/0323; B60C 2011/0344; B60C 2011/0346; B60C 2011/0374
See application file for complete search history.

(56) **References Cited**

U.S. PATENT DOCUMENTS

D548,172 S * 8/2007 Dixon D12/579
D558,664 S * 1/2008 Herbeuval D12/579

D593,485 S * 6/2009 Davidson, Jr. D12/579
D595,641 S * 7/2009 Carter D12/579
D641,314 S * 7/2011 Strader D12/583
D700,130 S * 2/2014 Chen D12/579
D730,272 S * 5/2015 Fleckner D12/580
D732,463 S * 6/2015 Petr D12/579
D763,177 S * 8/2016 Chen D12/579
D781,219 S * 3/2017 Williams D12/579

* cited by examiner

Primary Examiner — Robert M Spear

(74) *Attorney, Agent, or Firm* — Fay Sharpe LLP

(57) **CLAIM**

The ornamental design for a tire, as shown and described.

DESCRIPTION

FIG. 1 is a perspective view of a tire of the present application;

FIG. 2 is a front view thereof; and,

FIG. 3 is a side view thereof.

The other side of the tire is identical to FIG. 3.

1 Claim, 3 Drawing Sheets

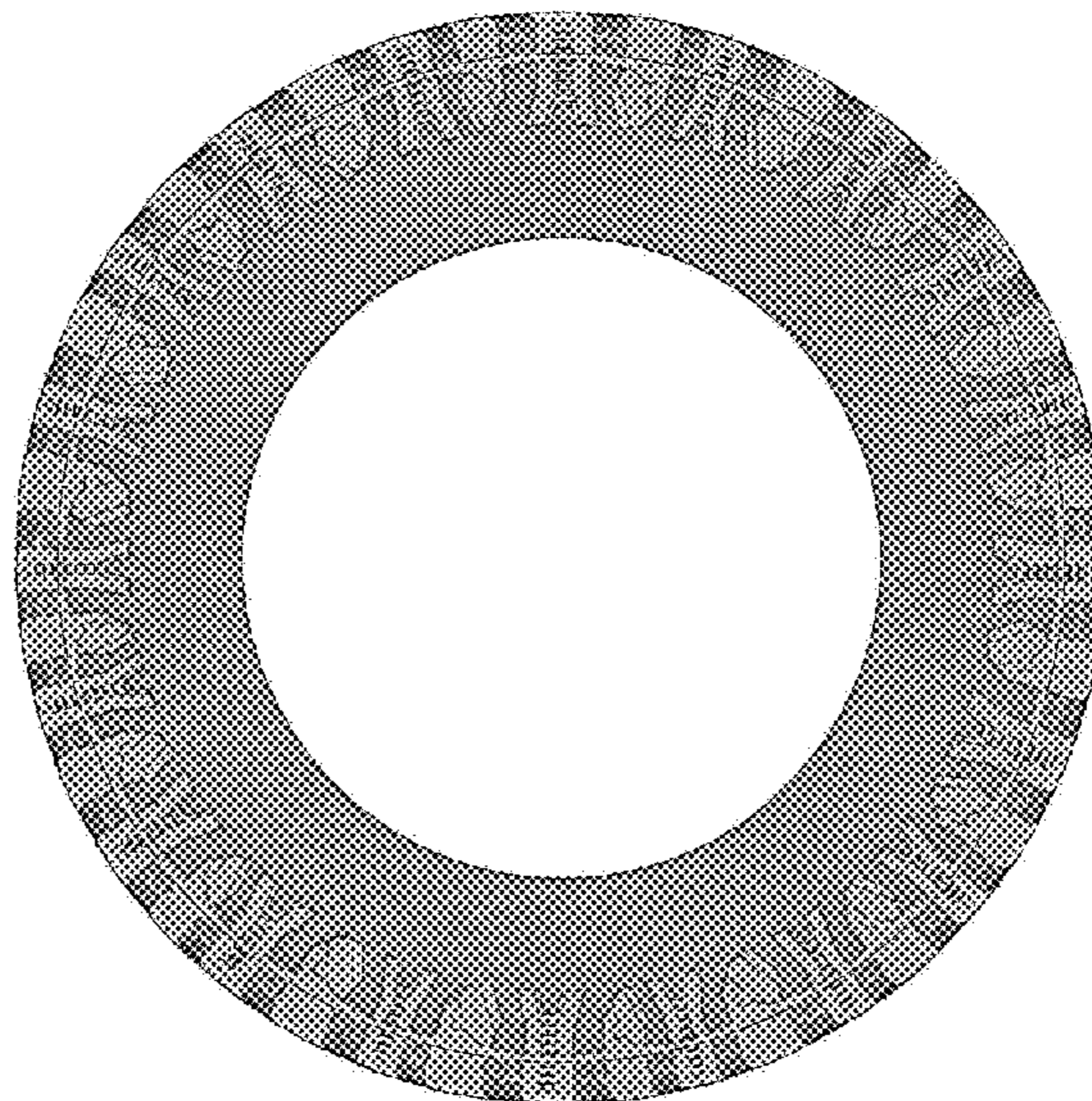
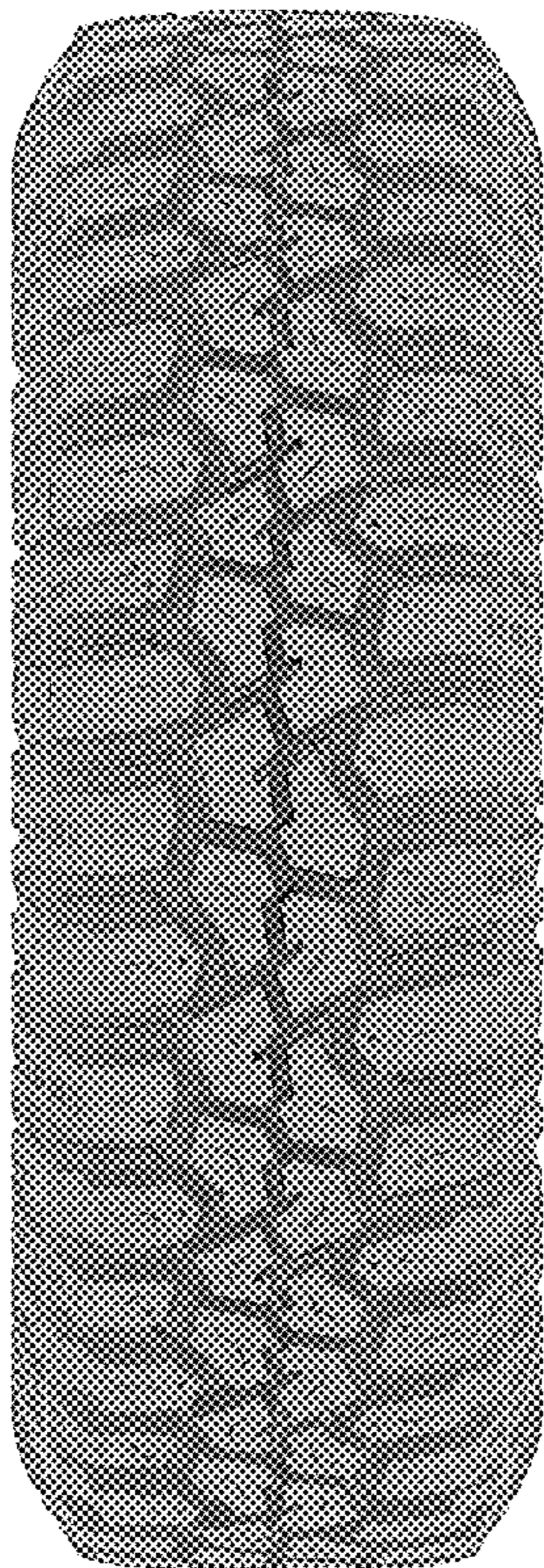




FIG. 1

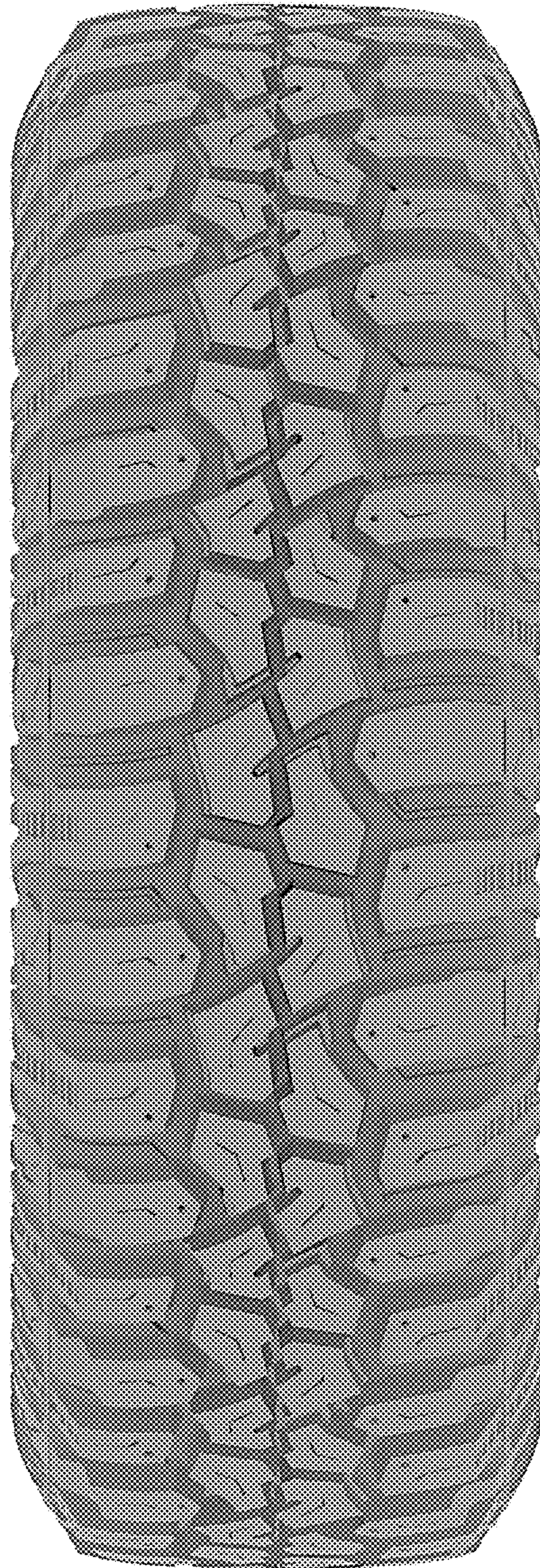


FIG. 2

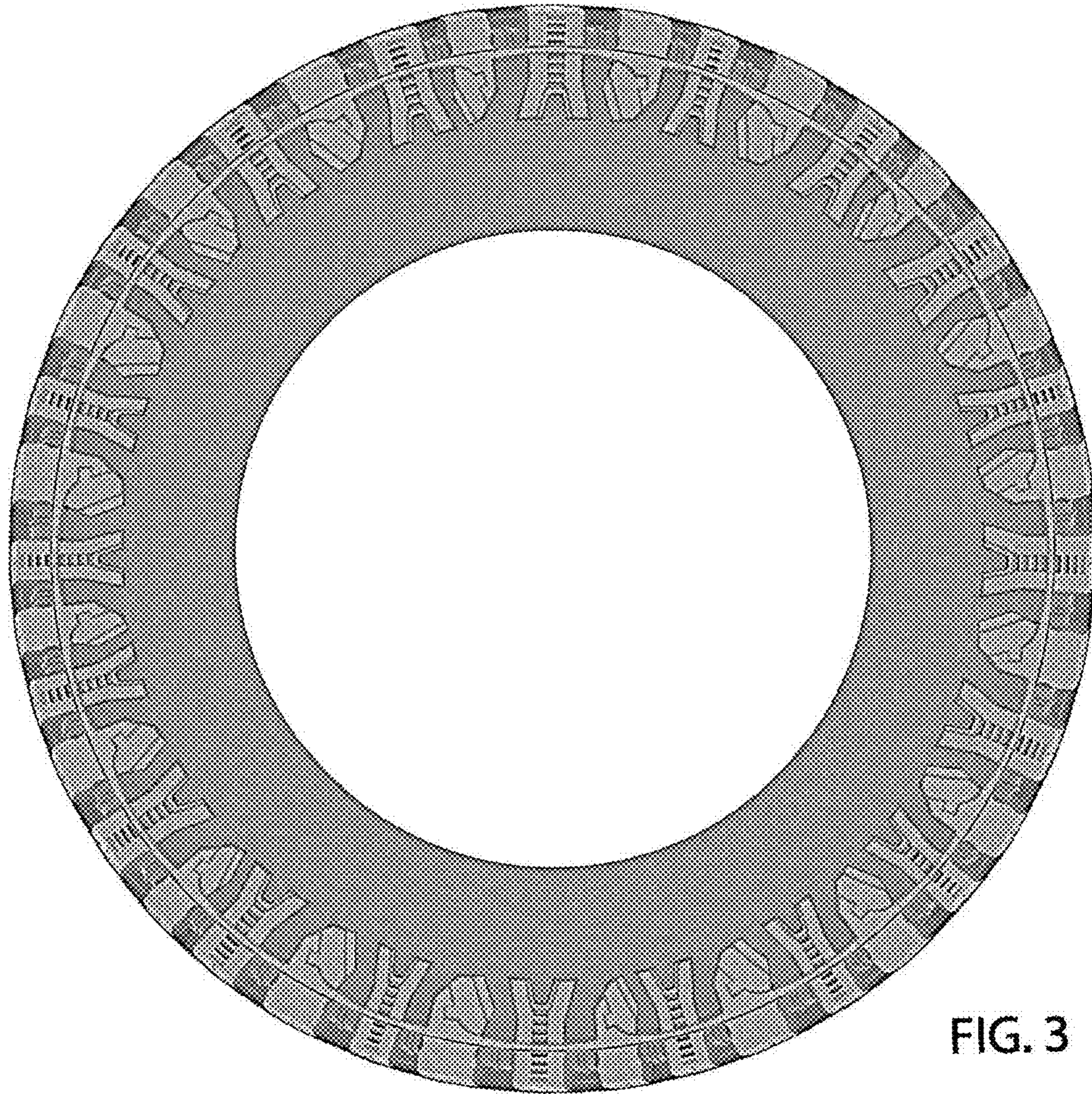


FIG. 3