



US00D795789S

(12) **United States Design Patent**
Ehtesham

(10) **Patent No.:** **US D795,789 S**

(45) **Date of Patent:** **** Aug. 29, 2017**

(54) **CHILD SNACK AND PLAY TRAVEL LAP TRAY**

(71) Applicant: **Mussayab Ehtesham**, Windsor (CA)

(72) Inventor: **Mussayab Ehtesham**, Windsor (CA)

(**) Term: **15 Years**

(21) Appl. No.: **29/598,689**

(22) Filed: **Mar. 28, 2017**

(51) **LOC (10) Cl.** **12-16**

(52) **U.S. Cl.**
USPC **D12/425**

(58) **Field of Classification Search**
USPC D12/425, 400, 406, 415-420, 424, 426
CPC B63B 25/00; B63B 7/85; B63B 35/00;
B63B 17/00; B60R 16/04

See application file for complete search history.

(56) **References Cited**

U.S. PATENT DOCUMENTS

| | | | | | | |
|-----------|-----|---------|------------|-------|------------|--------|
| 630,299 | A * | 8/1899 | Moon | | G01P 3/495 | 185/44 |
| 4,500,135 | A | 2/1985 | Kincheloe | | | |
| 4,770,107 | A | 9/1988 | Miller | | | |
| D342,644 | S * | 12/1993 | Forestal | | D7/549 | |
| D346,310 | S * | 4/1994 | Schlesier | | D3/215 | |
| D349,425 | S * | 8/1994 | Kays | | D7/549 | |
| D349,426 | S * | 8/1994 | Norris | | D6/406.3 | |
| 5,337,677 | A * | 8/1994 | Peeno | | B60N 3/002 | 108/45 |
| 5,382,074 | A | 1/1995 | Pietra | | | |
| 5,829,627 | A | 11/1998 | Martindale | | | |
| 5,862,933 | A | 1/1999 | Neville | | | |

| | | | | | | |
|-----------|------|---------|-----------|-------|------------|---------|
| 6,116,166 | A | 9/2000 | Rotstein | | | |
| D442,830 | S * | 5/2001 | Raucci | | D7/553.5 | |
| 6,659,545 | B1 | 12/2003 | McMillan | | | |
| D504,045 | S * | 4/2005 | Rediske | | D6/601 | |
| D509,379 | S * | 9/2005 | Mohundro | | D6/671.1 | |
| D550,477 | S | 9/2007 | Probst | | | |
| 7,874,449 | B1 * | 1/2011 | Studee | | A47G 19/02 | 206/219 |
| 8,091,486 | B1 | 1/2012 | Broadrick | | | |
| D709,732 | S * | 7/2014 | Garzon | | D7/552.2 | |
| 9,254,031 | B1 | 2/2016 | Zenoff | | | |

* cited by examiner

Primary Examiner — Katrina A Betton

(74) *Attorney, Agent, or Firm* — Mitchell Law PLLC;
Matthew W. Mitchell

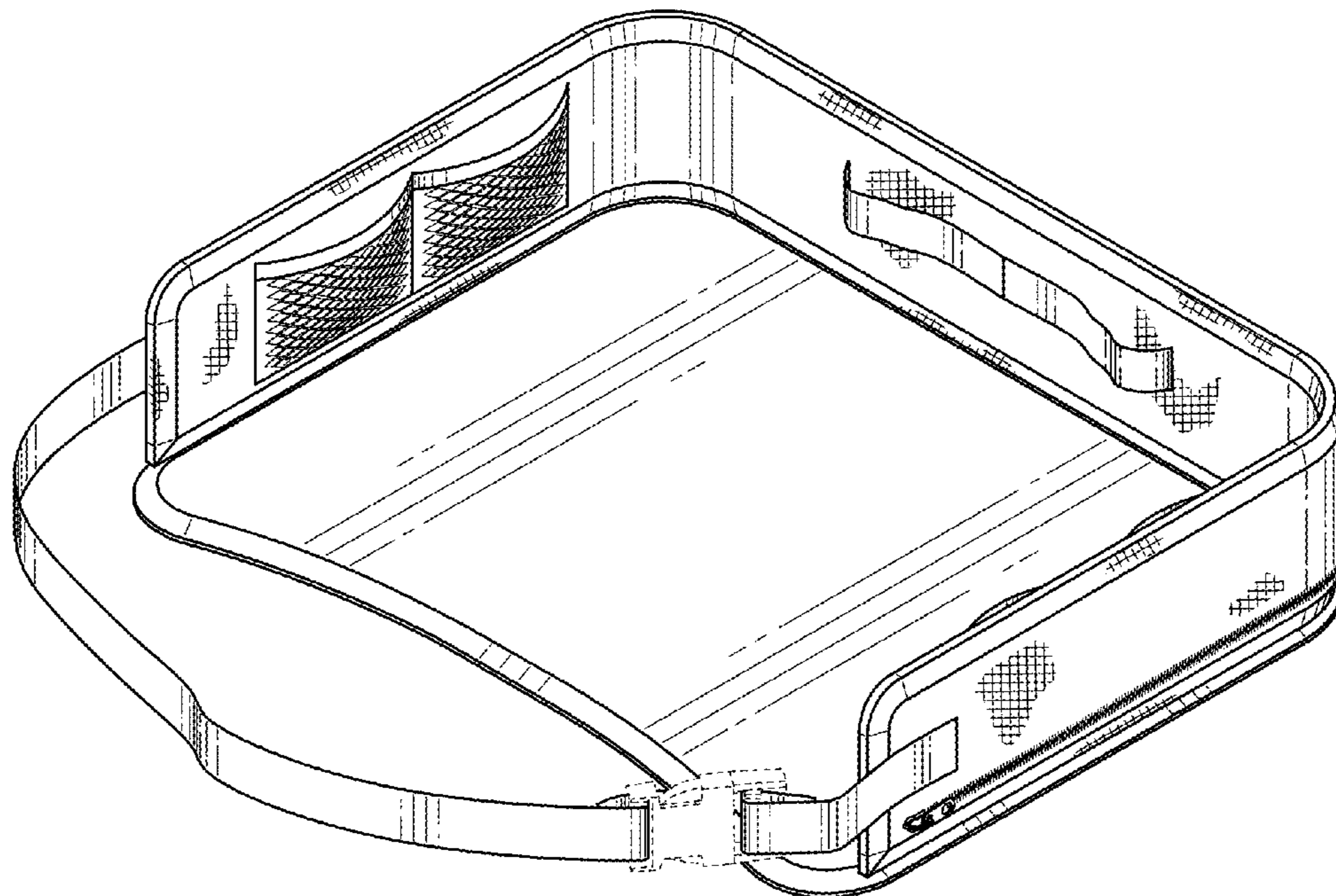
(57) **CLAIM**

The ornamental design for a child snack and play travel lap tray, as shown and described.

DESCRIPTION

FIG. 1 is a front isometric view of the child snack and play travel lap tray of the present invention;
 FIG. 2 is a front view of the invention of FIG. 1;
 FIG. 3 is a back view of the invention of FIG. 1;
 FIG. 4 is a side view of the invention of FIG. 1, as seen from the right side of FIG. 2;
 FIG. 5 is a side view of the invention of FIG. 1, as seen from the left side of FIG. 2; and,
 FIG. 6 is a top plan view of the invention of FIG. 1.
 The canvas or fabric surface ornamentation forms part of the claimed design.
 The broken lines show a mechanical fastener and forms no part of the claimed design.

1 Claim, 6 Drawing Sheets



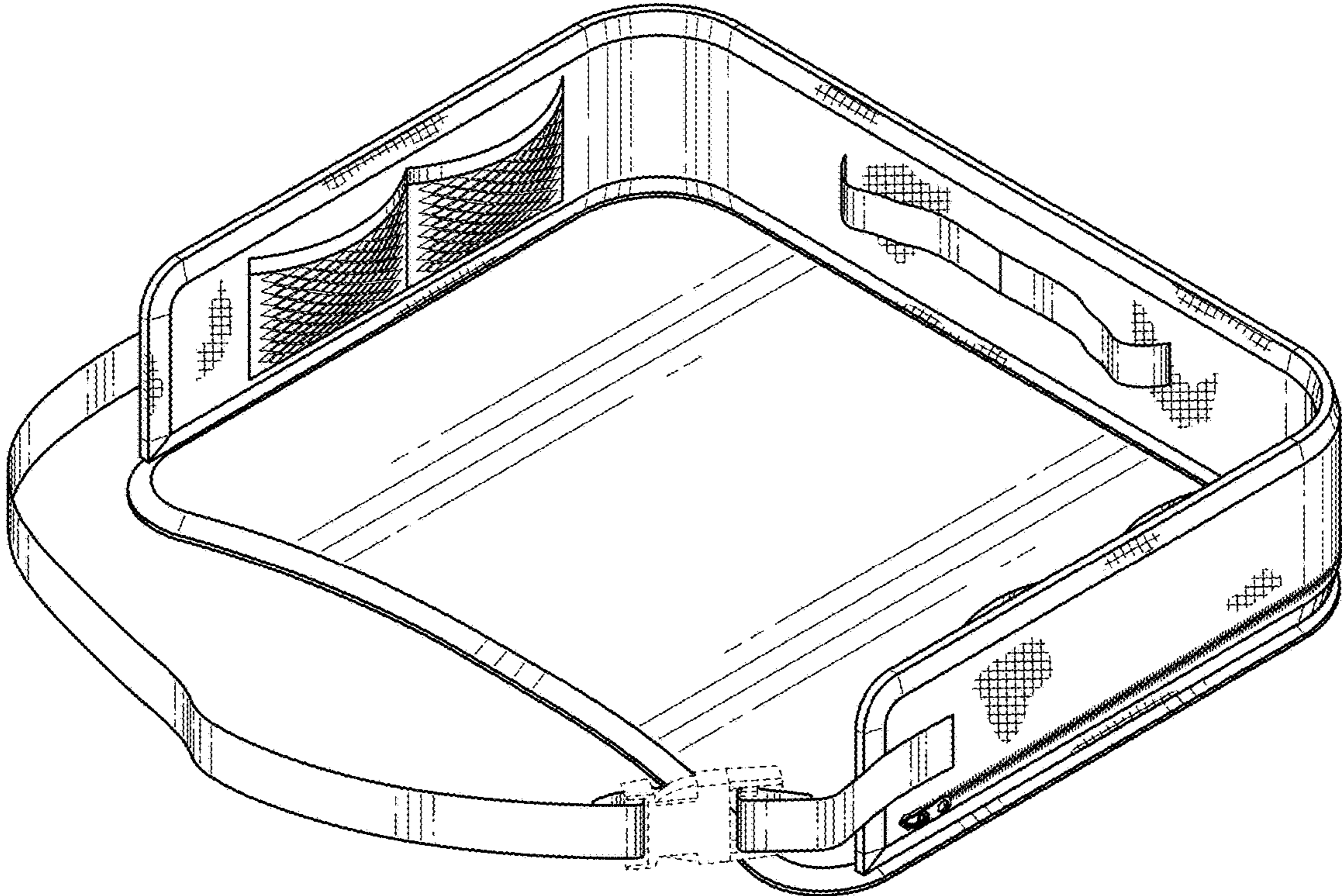


FIG. 1

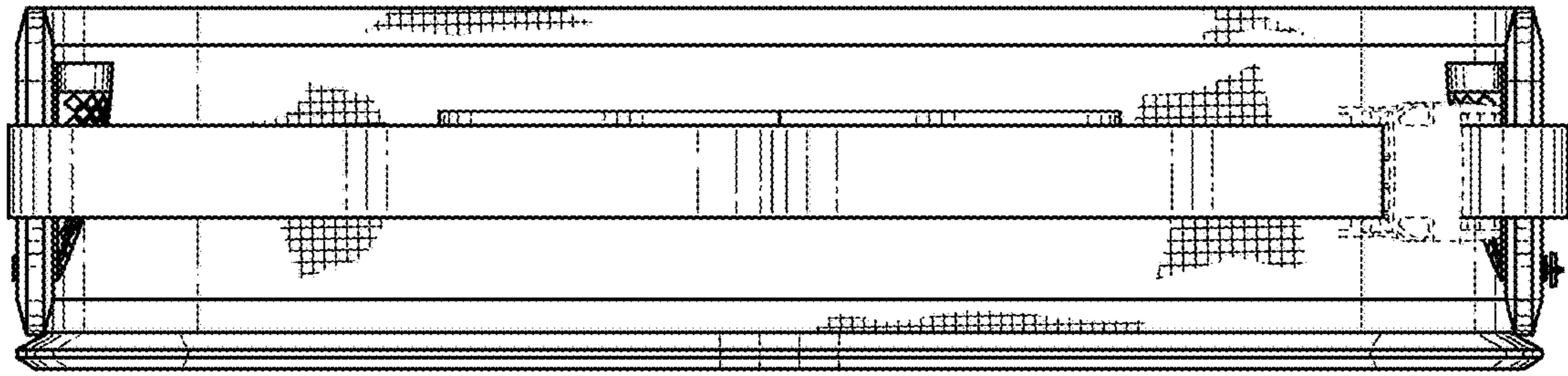


FIG. 2

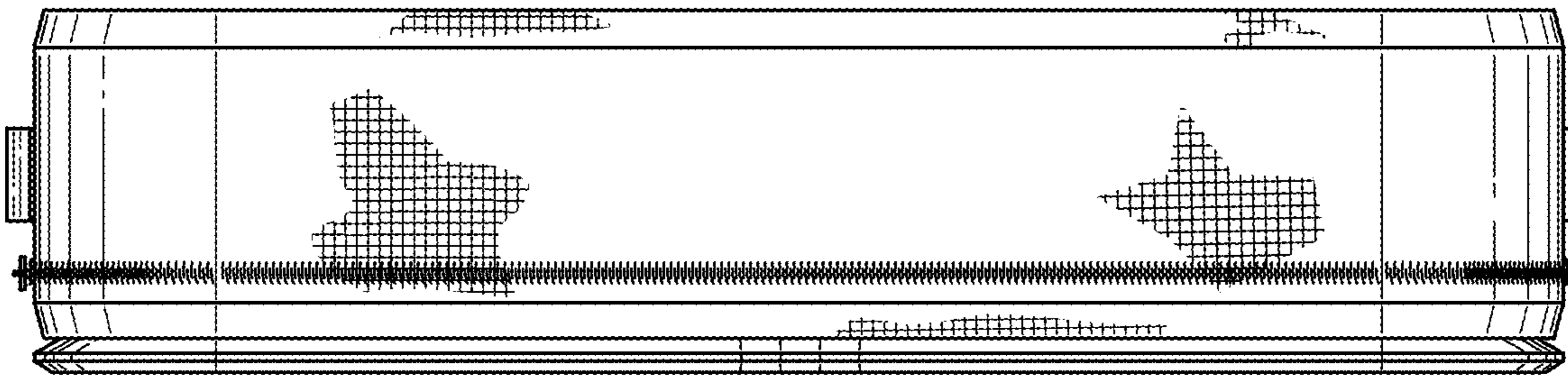


FIG. 3

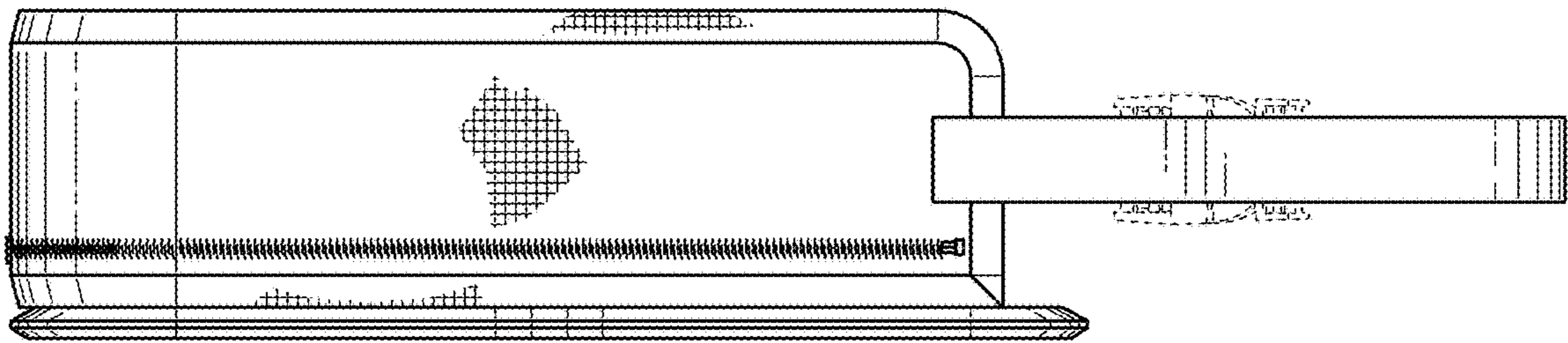


FIG. 4

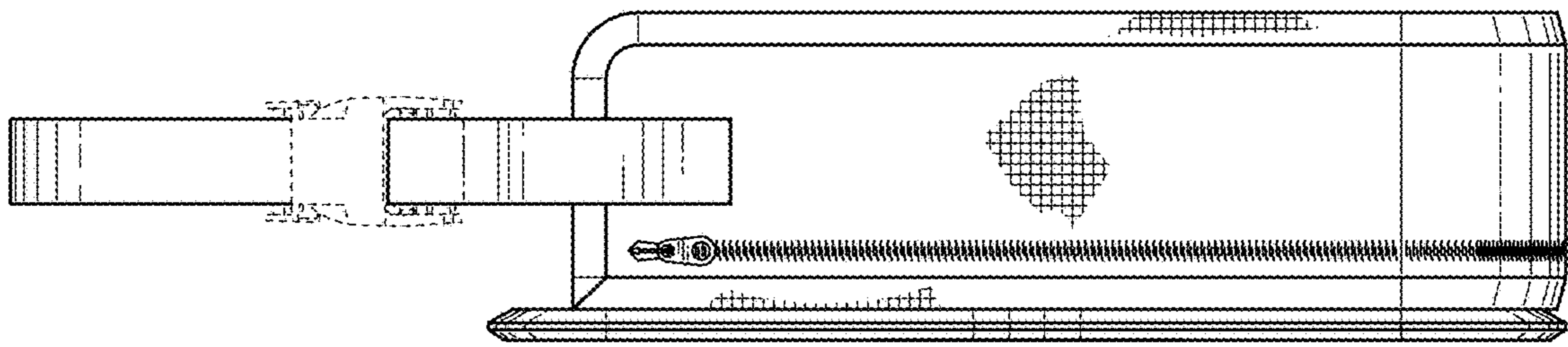


FIG. 5

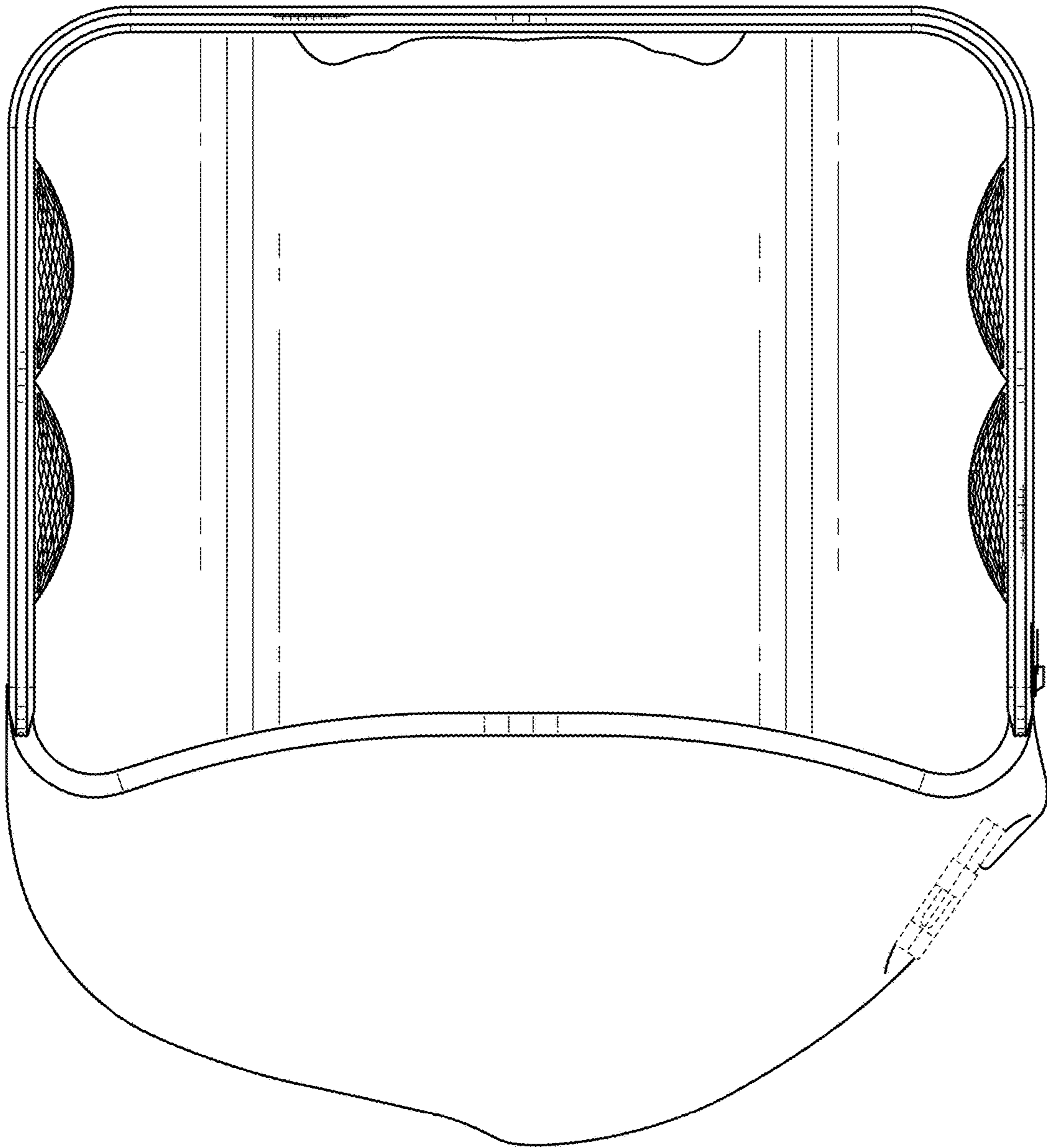


FIG. 6