



US00D795788S

(12) **United States Design Patent**  
**Joseph**

(10) **Patent No.:** **US D795,788 S**

(45) **Date of Patent:** **\*\* Aug. 29, 2017**

(54) **SEATBELT HOLDING CLIP**

(71) Applicant: **Amarys Ites Joseph**, Vancouver (CA)

(72) Inventor: **Amarys Ites Joseph**, Vancouver (CA)

(\*\*) Term: **15 Years**

(21) Appl. No.: **29/575,136**

(22) Filed: **Aug. 22, 2016**

(51) **LOC (10) Cl.** ..... **12-16**

(52) **U.S. Cl.**  
USPC ..... **D12/416**

(58) **Field of Classification Search**  
USPC ..... D12/416, 415, 417, 418, 419, 423;  
D6/513, 514, 611, 553, 556, 559;  
D7/601-602, 605-607; D3/216, 217, 319  
CPC ..... B65D 33/00; B64D 11/0636; B60N 3/004  
See application file for complete search history.

(56) **References Cited**

**U.S. PATENT DOCUMENTS**

- D537,772 S \* 3/2007 Martin ..... D12/416
- D623,404 S \* 9/2010 Andre ..... D3/218
- D666,409 S \* 9/2012 Andre ..... D3/218

- D674,804 S \* 1/2013 Cote ..... D14/447
- D687,440 S \* 8/2013 Shieh ..... D14/447
- D692,899 S \* 11/2013 Bremenkamp ..... D14/447
- D696,671 S \* 12/2013 Carnevali ..... D14/253
- D713,849 S \* 9/2014 Kirwer ..... D12/416
- D734,242 S \* 7/2015 Presman ..... D12/416

\* cited by examiner

*Primary Examiner* — Katrina A Betton  
(74) *Attorney, Agent, or Firm* — RG Patent Consulting, LLC; Rachel Gilboy

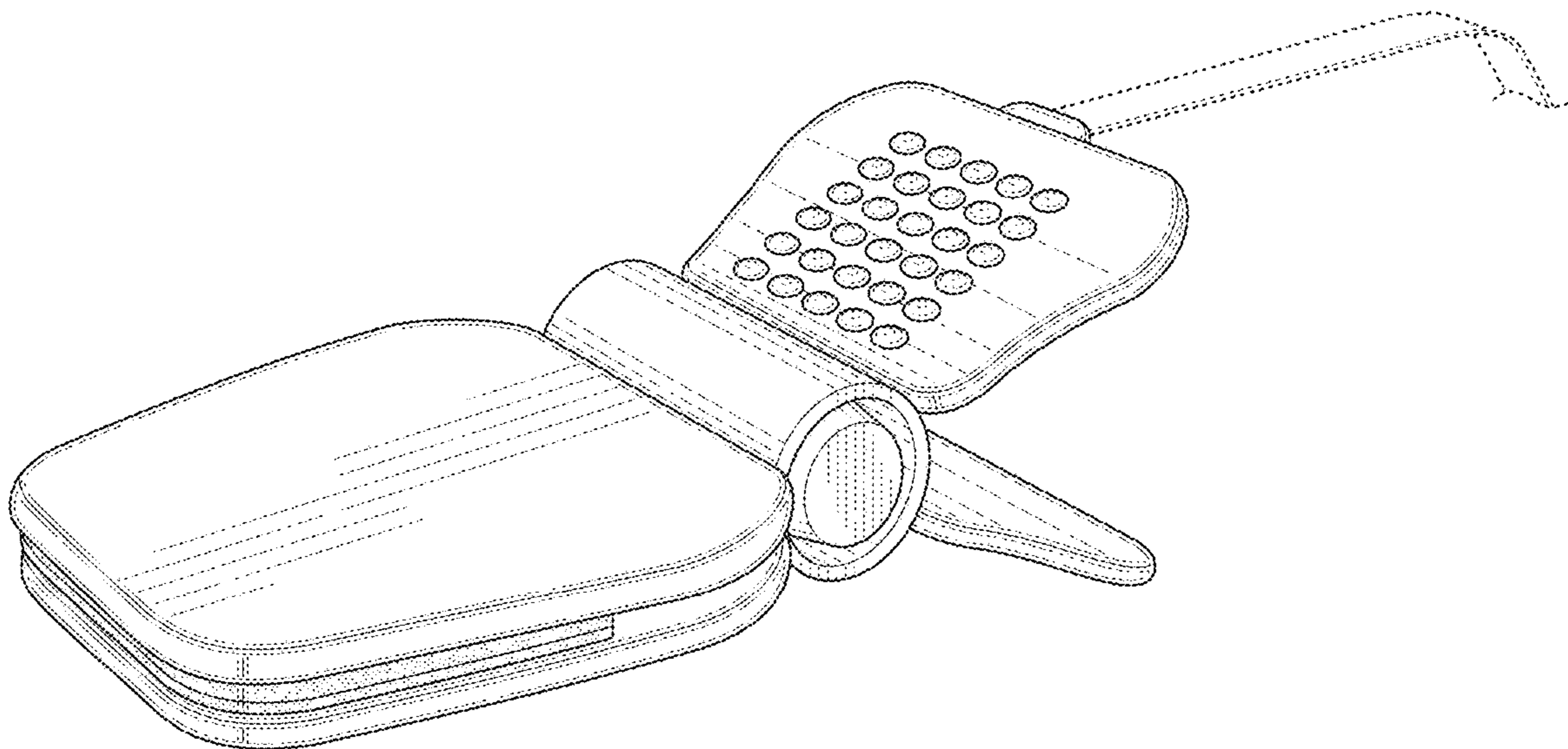
(57) **CLAIM**

The ornamental design for a seatbelt holding clip, as shown and described.

**DESCRIPTION**

FIG. 1 is a perspective view of the seatbelt holding clip showing my new design;  
FIG. 2 is a top plan view thereof;  
FIG. 3 is a bottom plan view thereof;  
FIG. 4 is a right elevation view thereof;  
FIG. 5 is a left elevation view thereof;  
FIG. 6 is a front elevation view thereof; and,  
FIG. 7 is a rear elevation view thereof.  
Broken lines are included for depicting environmental subject matter and form no part of the claimed design.

**1 Claim, 7 Drawing Sheets**



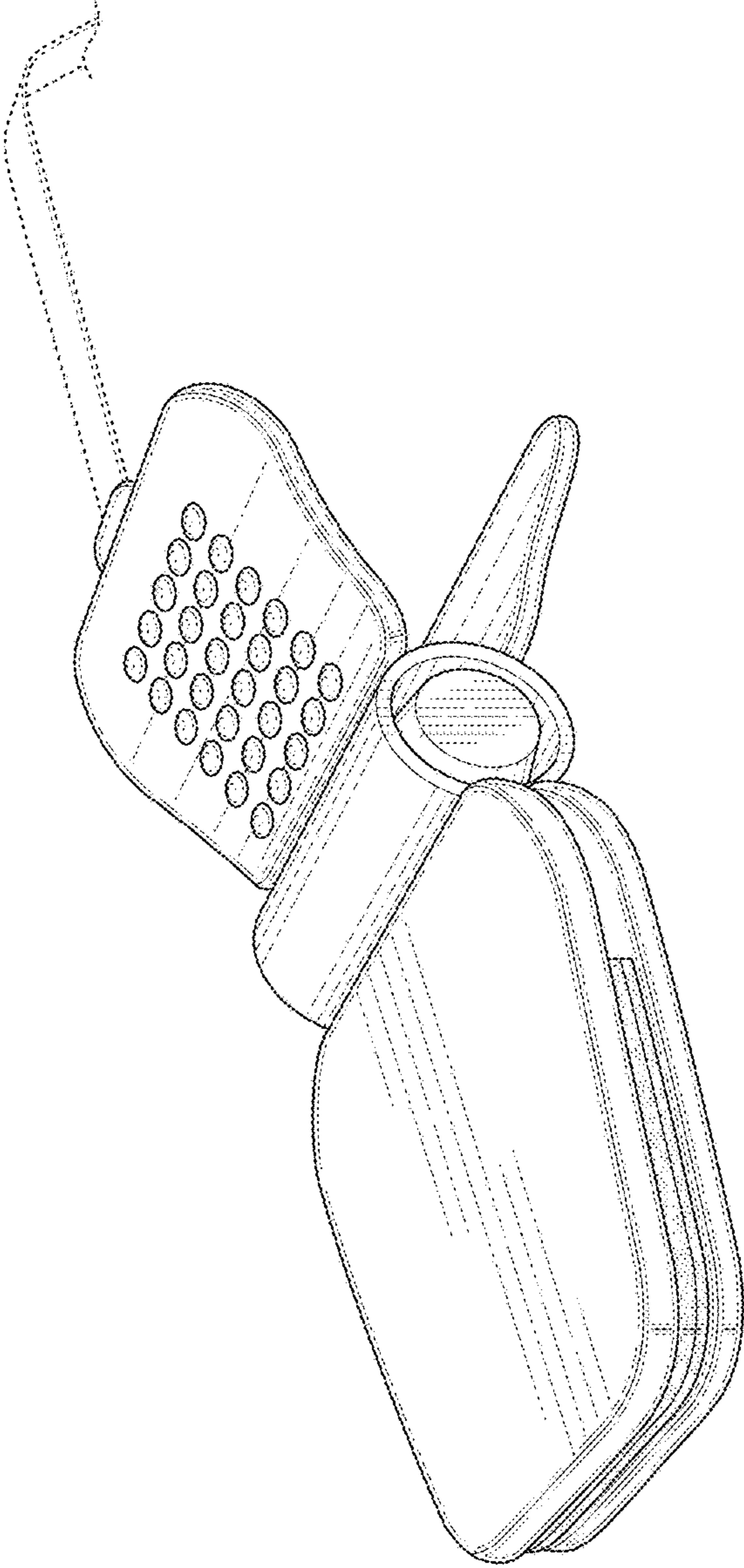


FIG. 1

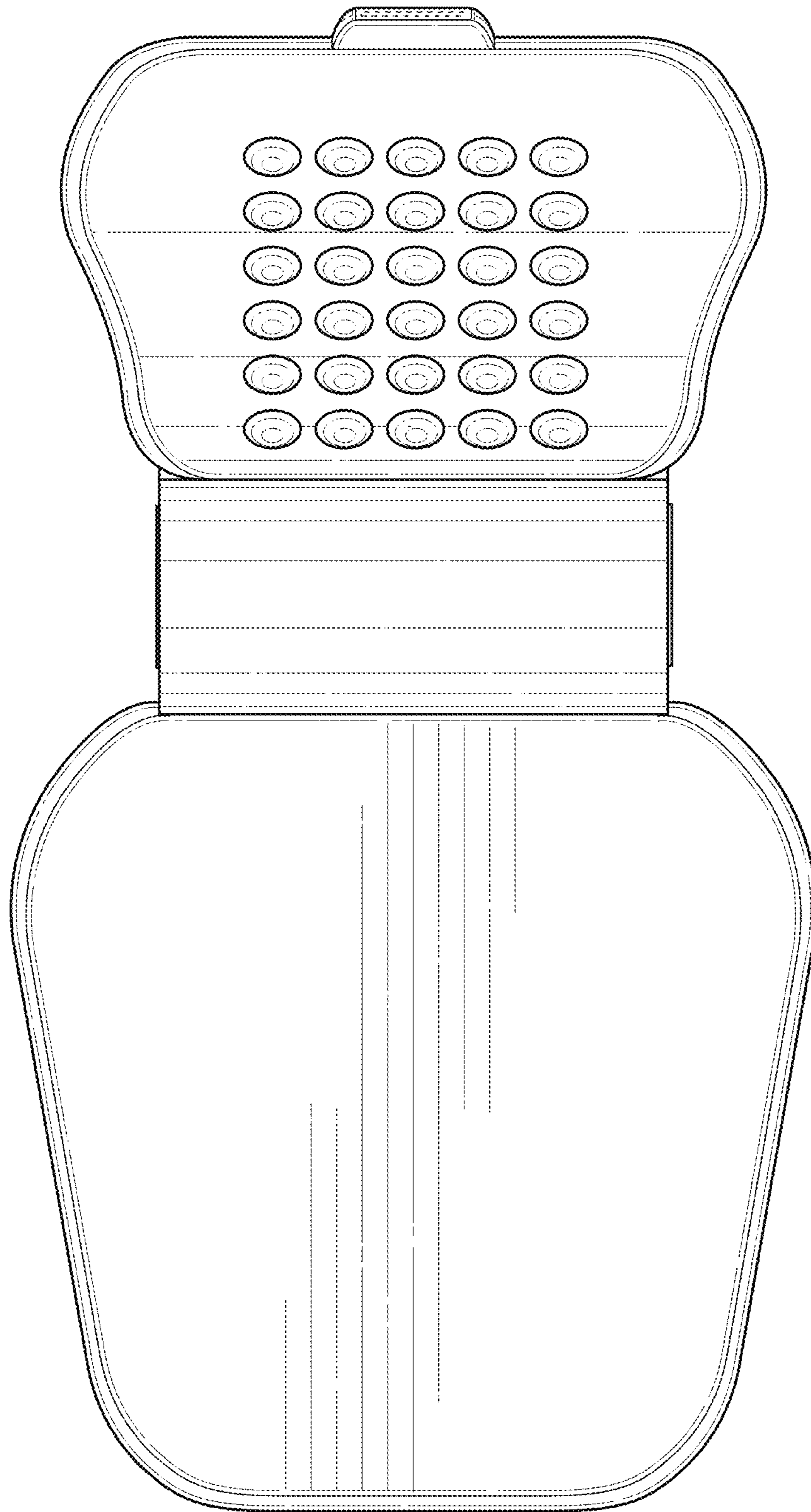


FIG. 2

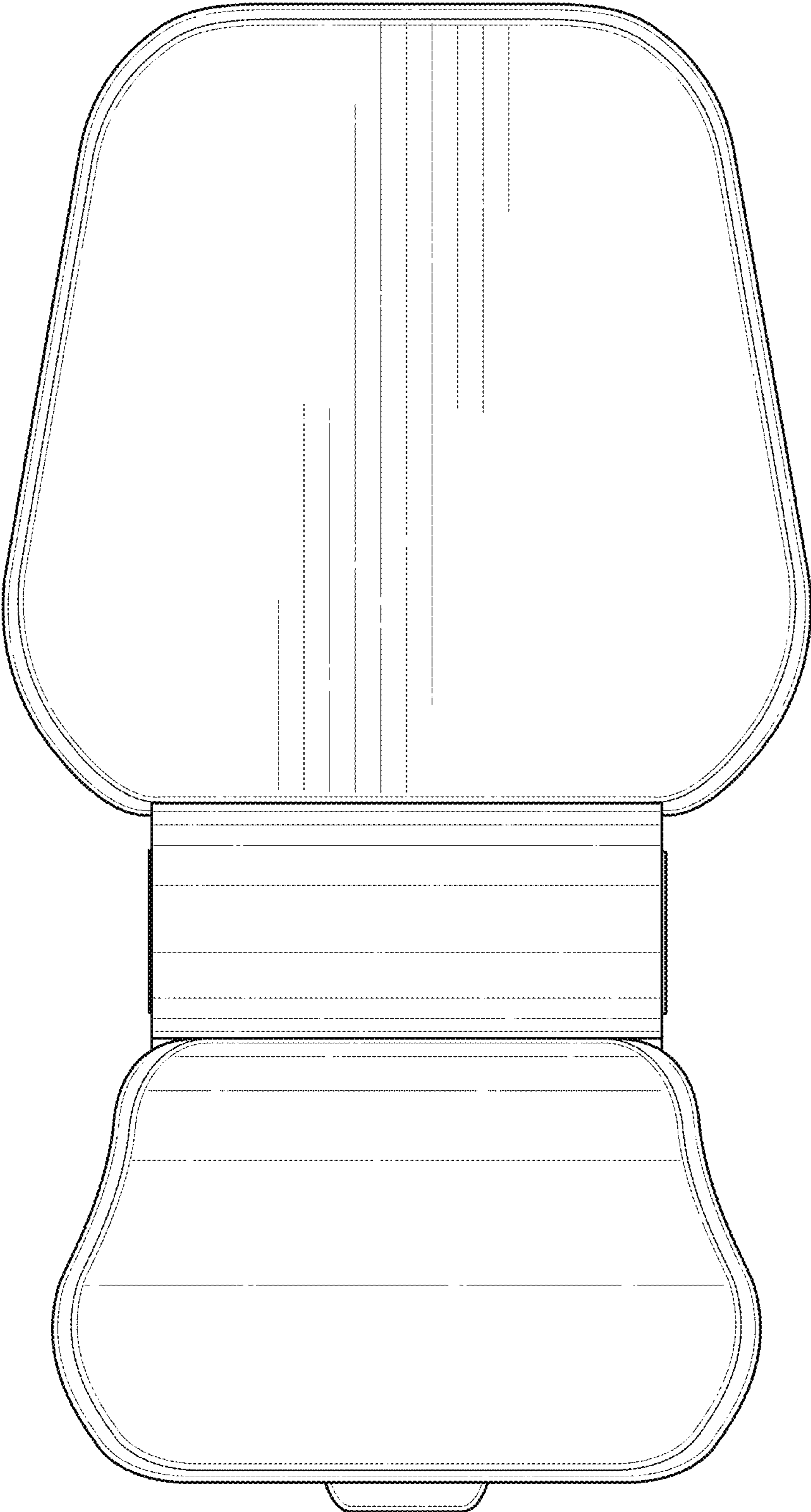


FIG. 3

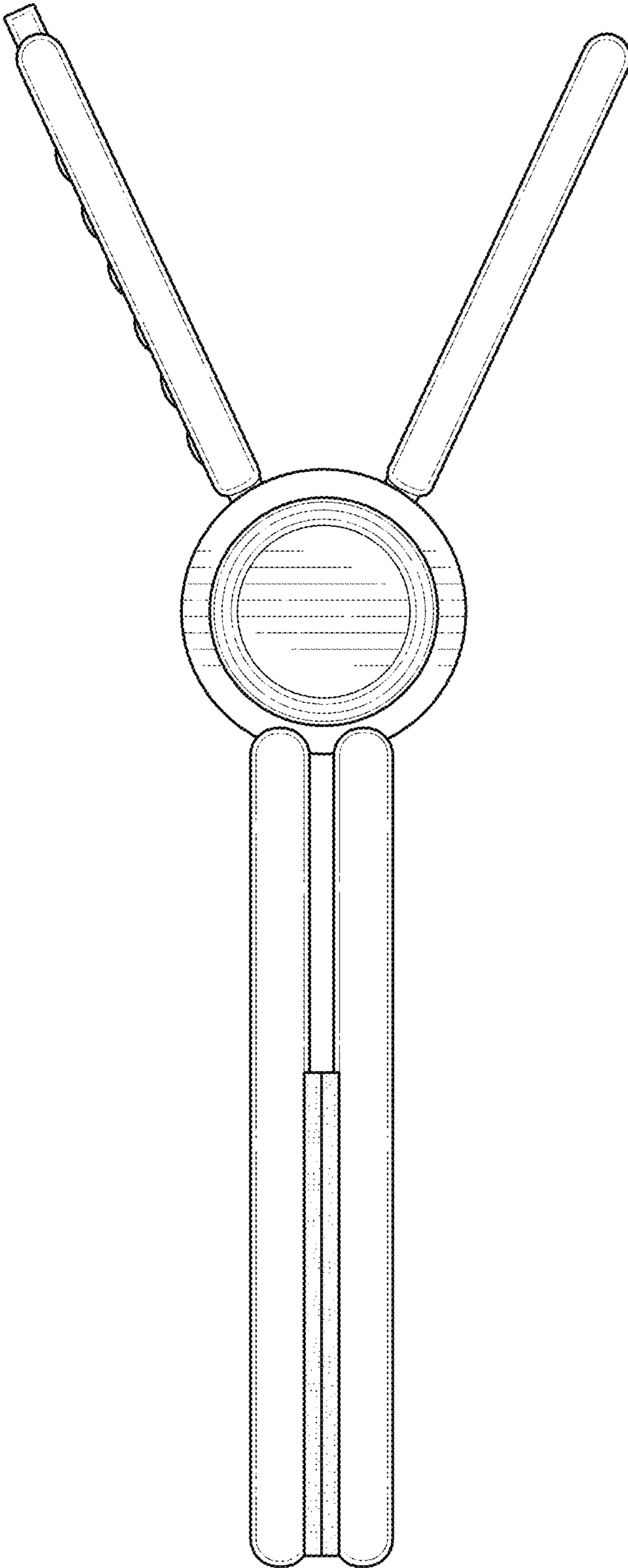


FIG. 4

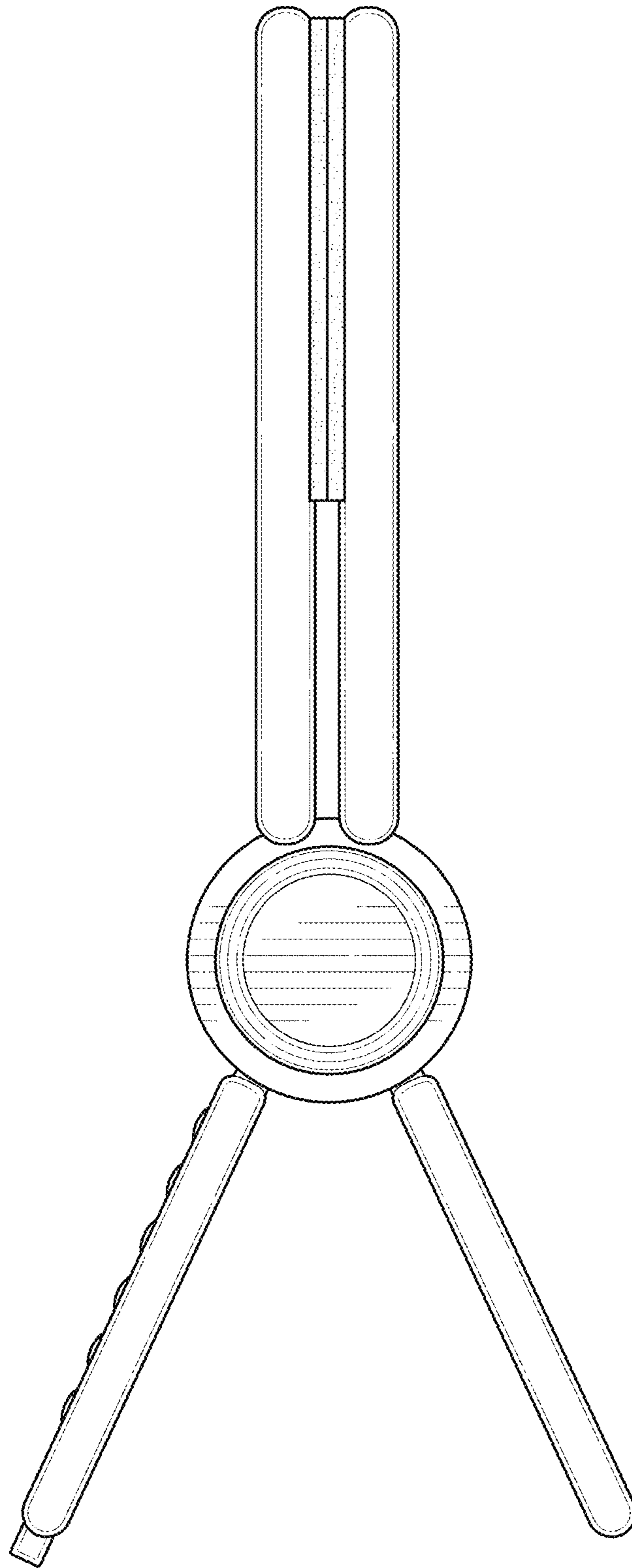


FIG. 5

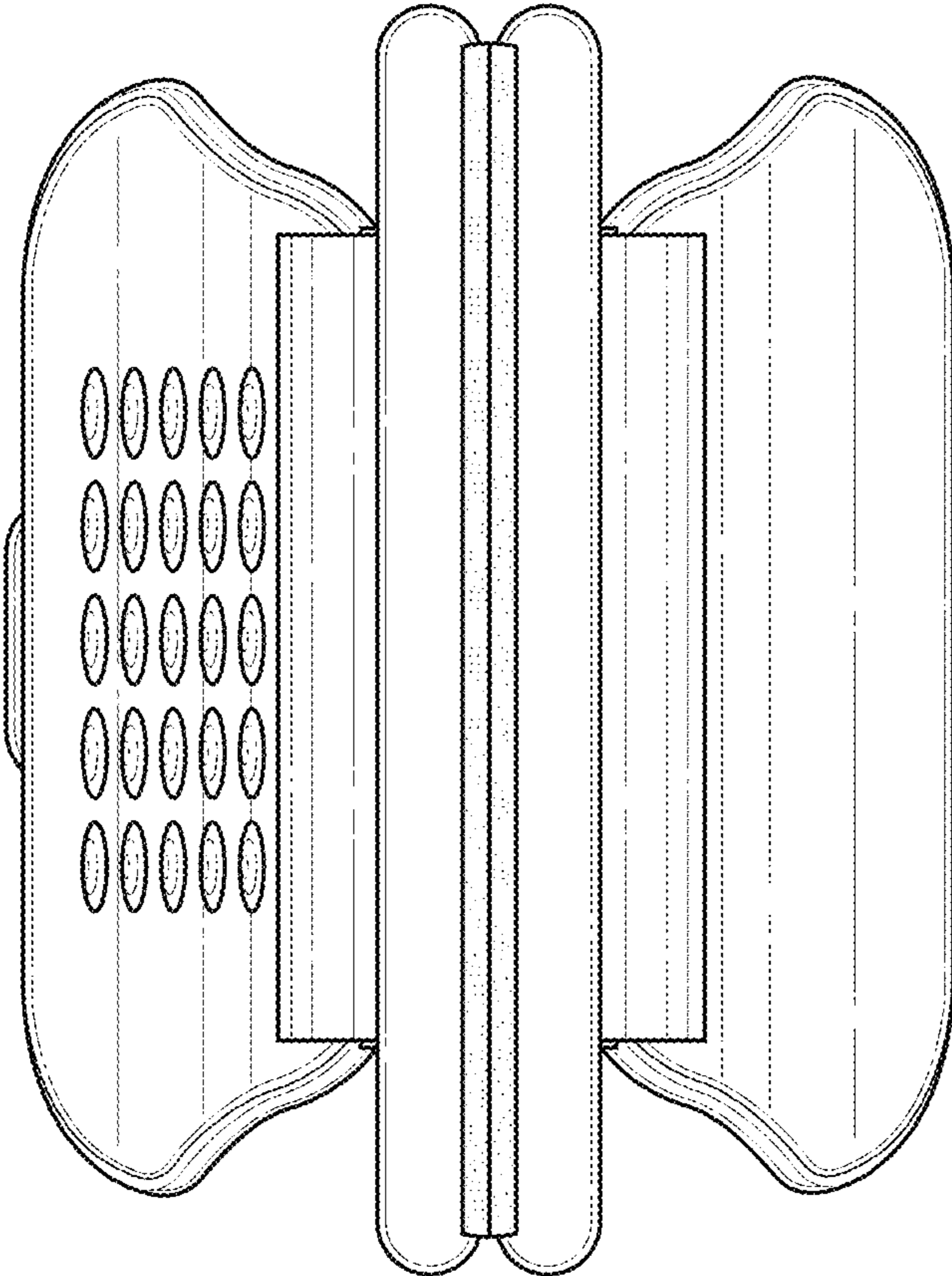


FIG. 6

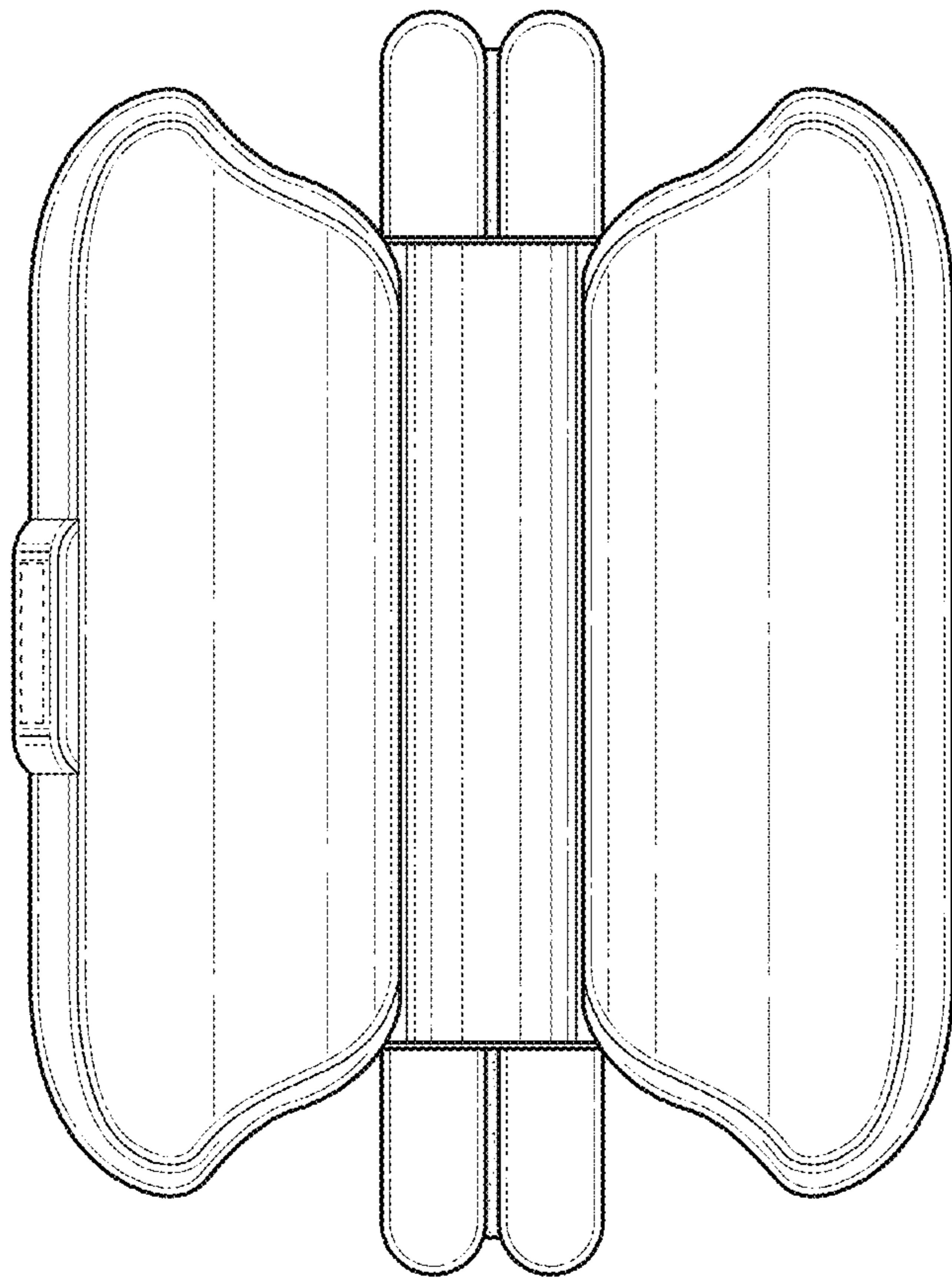


FIG. 7