



US00D795787S

(12) **United States Design Patent** (10) **Patent No.:** **US D795,787 S**
Blanpain et al. (45) **Date of Patent:** **** Aug. 29, 2017**

(54) **TURBINE**
(71) Applicant: **NEVA AEROSPACE LIMITED,**
Horsham (GB)
(72) Inventors: **Renaud-Pierre Blanpain,** Angers (FR);
Laurent Martin, Paris (FR)

(**) Term: **15 Years**

(21) Appl. No.: **35/500,663**

(22) Filed: **Feb. 19, 2016**

(80) **Hague Agreement Data**

Int. Filing Date: **Feb. 19, 2016**
Int. Reg. No.: **DM/089417**
Int. Reg. Date: **Feb. 19, 2016**
Int. Reg. Pub. Date: **Mar. 4, 2016**

(51) **LOC (10) Cl.** **12-07**

(52) **U.S. Cl.**
USPC **D12/345**

(58) **Field of Classification Search**
USPC D12/330-333, 340, 341, 342-345;
D15/1, 7
CPC F02C 3/04; F02C 7/36; F02C 3/34; F02C
6/18; F02C 7/042; F02K 3/06; F02K 9/48
See application file for complete search history.

(56) **References Cited**

U.S. PATENT DOCUMENTS

7,631,483 B2 * 12/2009 Mani B64D 33/02
181/214
8,966,875 B2 * 3/2015 Suciu F02C 7/32
184/6.11

9,194,397 B2 * 11/2015 Todorovic F01D 5/3007
9,284,842 B2 * 3/2016 Lombard F01D 5/02
9,352,843 B2 * 5/2016 Suciu F02K 3/06
9,388,740 B2 * 7/2016 Kwok F02K 1/00
9,458,764 B2 * 10/2016 Alecu F02C 7/14
9,494,084 B2 * 11/2016 Kohlenberg B64D 33/04
9,506,401 B2 * 11/2016 Bacic F02C 7/00
2015/0345656 A1 * 12/2015 Xu F16K 15/16
251/61
2016/0017810 A1 * 1/2016 Lord F02K 1/822
60/725
2016/0201607 A1 * 7/2016 Gallagher F02K 1/06
415/144
2016/0258356 A1 * 9/2016 Lerg F02C 3/04
2016/0341048 A1 * 11/2016 Xu F01D 5/186
2016/0341126 A1 * 11/2016 Kupratis F02C 6/08
2016/0341215 A1 * 11/2016 Knight B64D 13/06
2016/0348691 A1 * 12/2016 Gallagher F04D 29/38

* cited by examiner

Primary Examiner — Michael A Pratt

(74) *Attorney, Agent, or Firm* — Myers Wolin, LLC

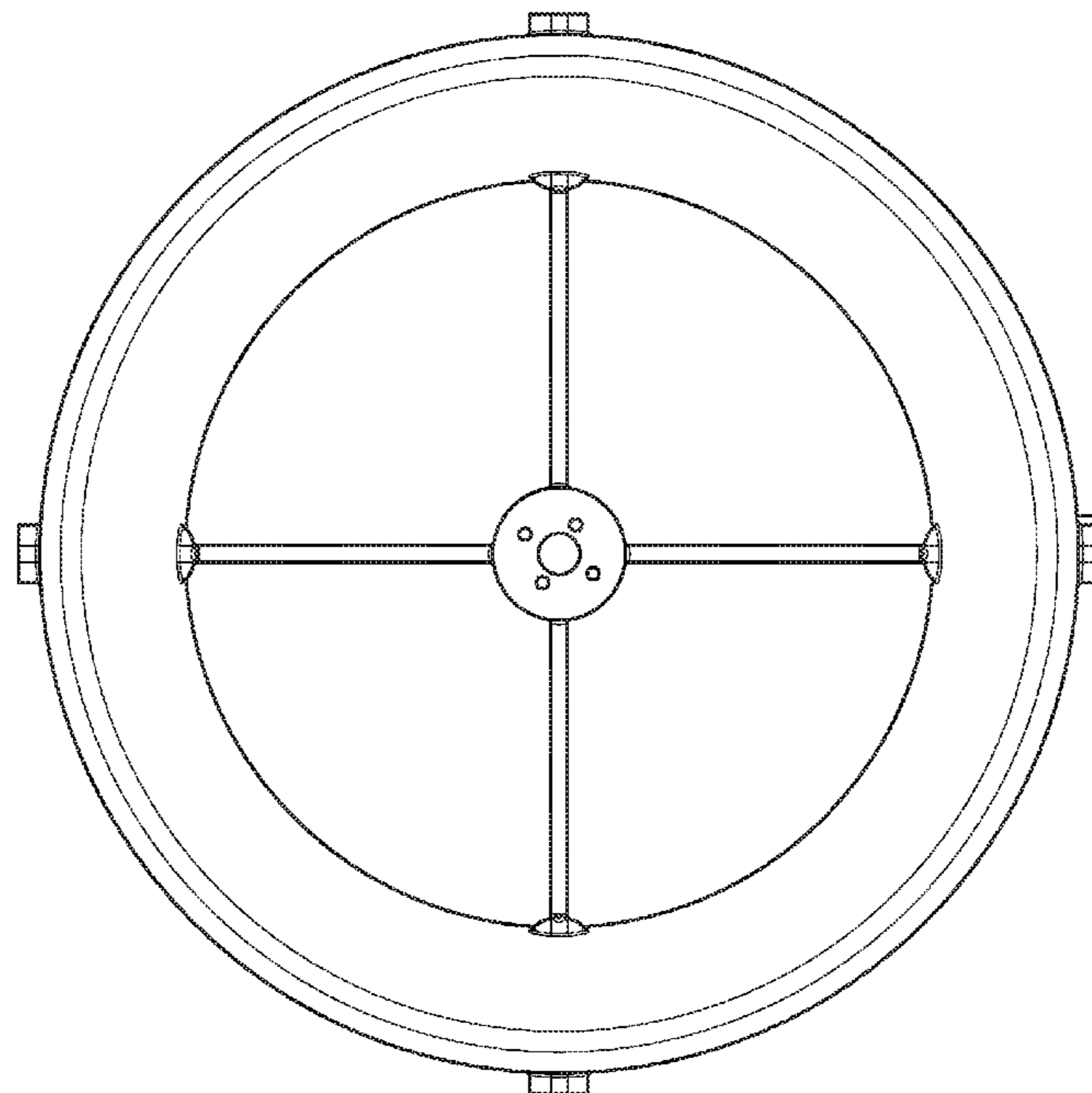
(57) **CLAIM**

The ornamental design of a turbine, as shown and described.

DESCRIPTION

- 1. Turbine
- 1.1 : Top
- 1.2 : Bottom
- 1.3 : Perspective
- 1.4 : Cross-sectional
- 1.5 : Cross-sectional
- 1.6 : Front
- 1.7 : Front

1 Claim, 7 Drawing Sheets



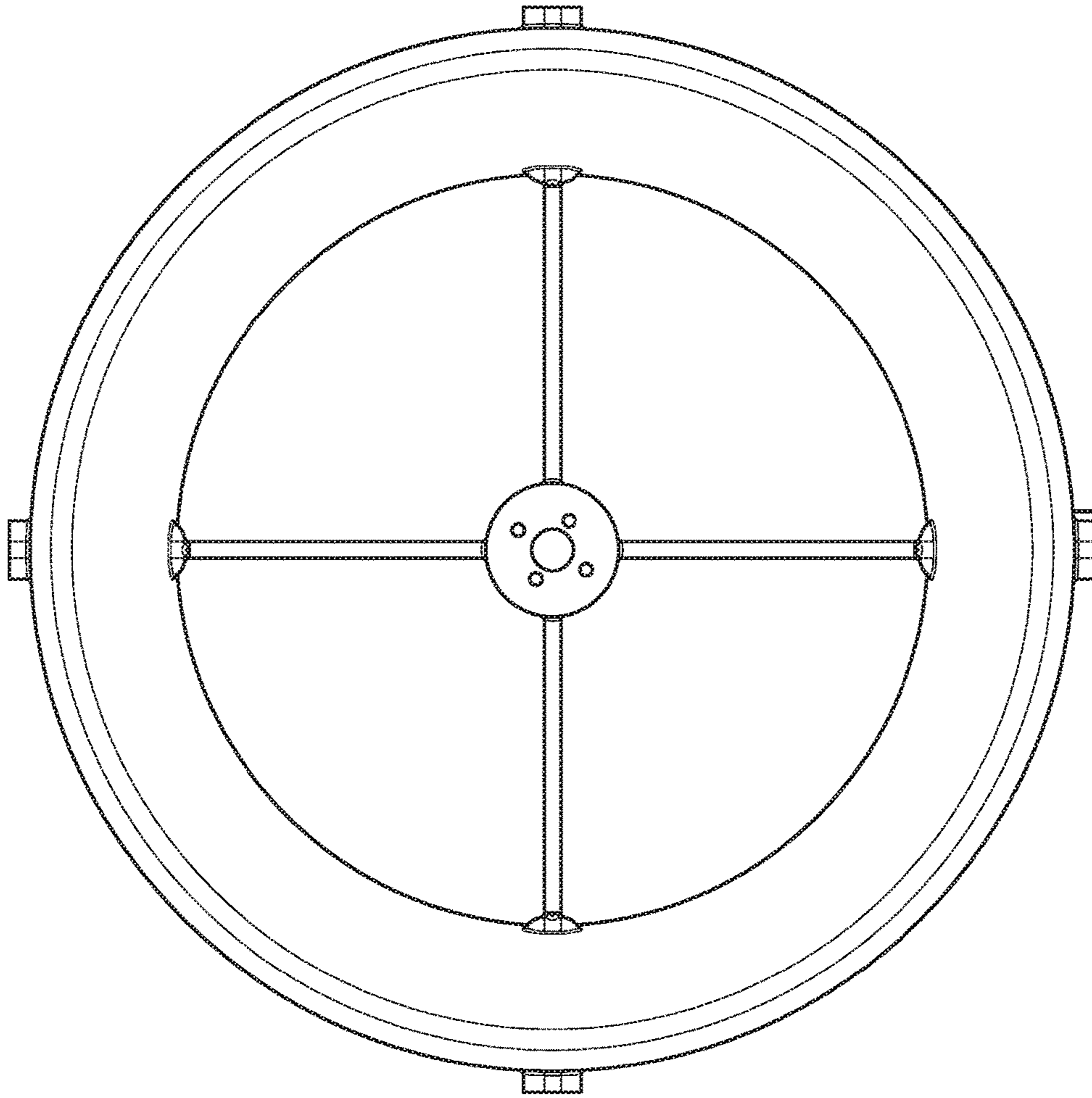


FIG. 1.1

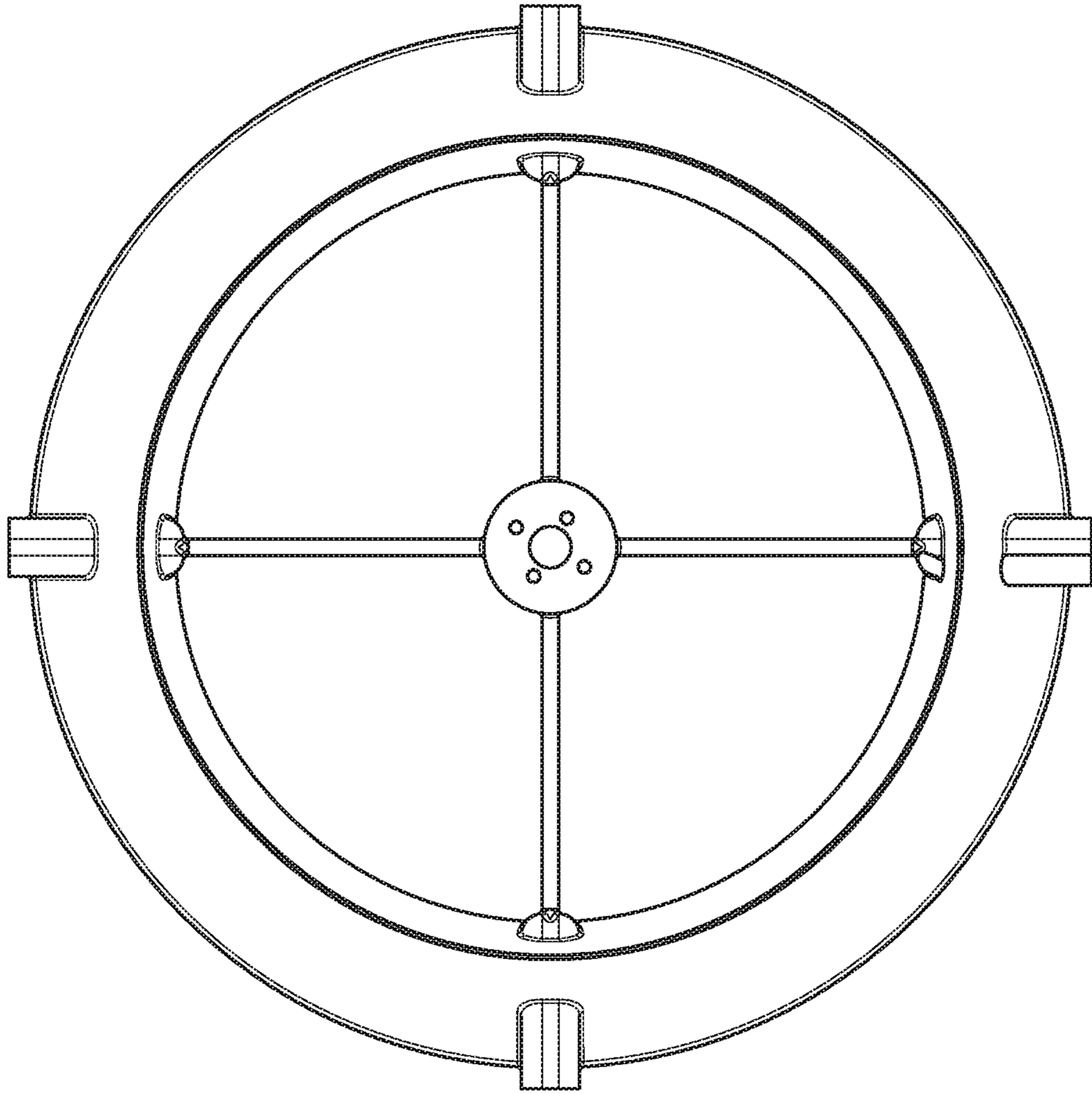


FIG. 1.2

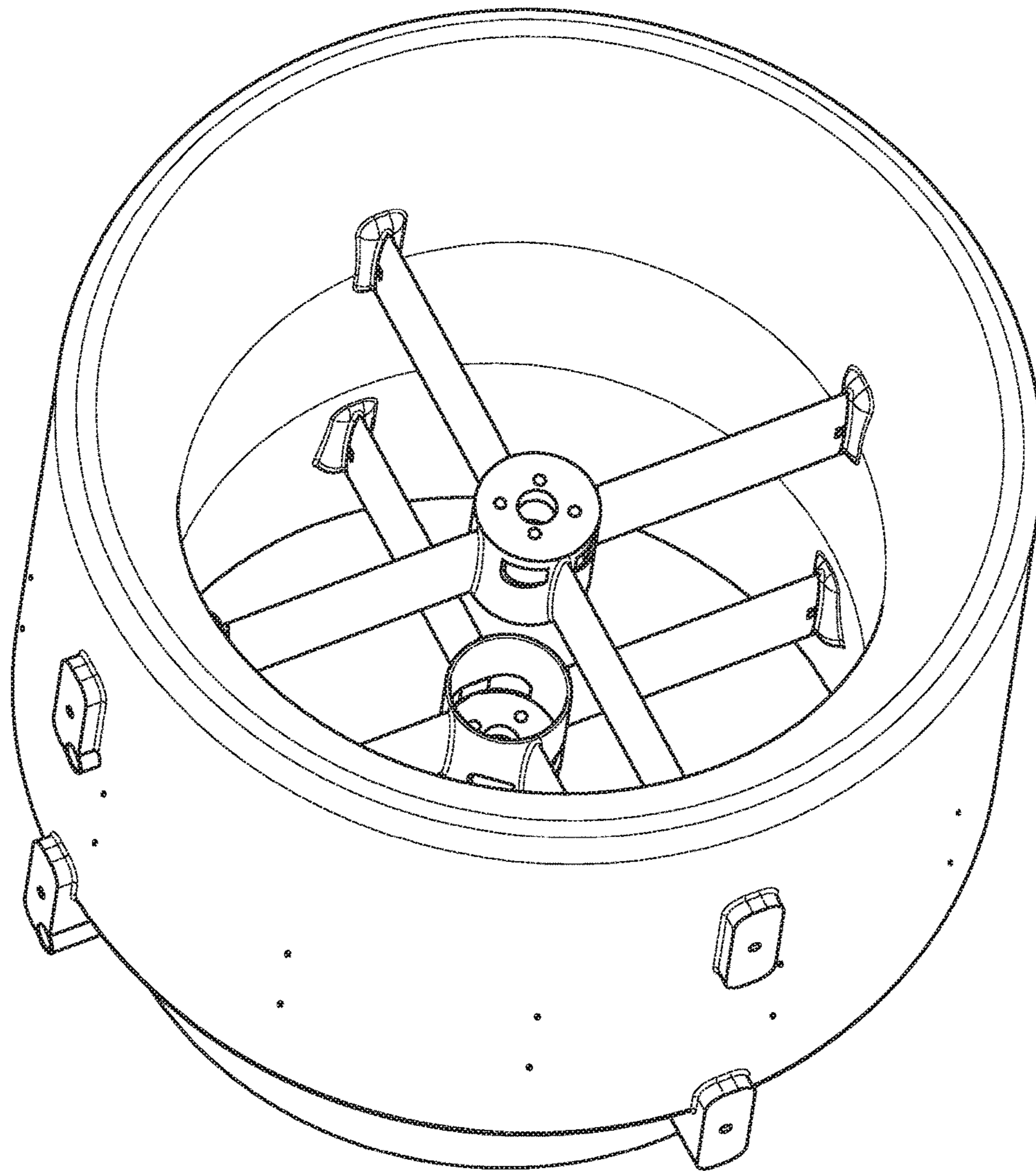


FIG. 1.3

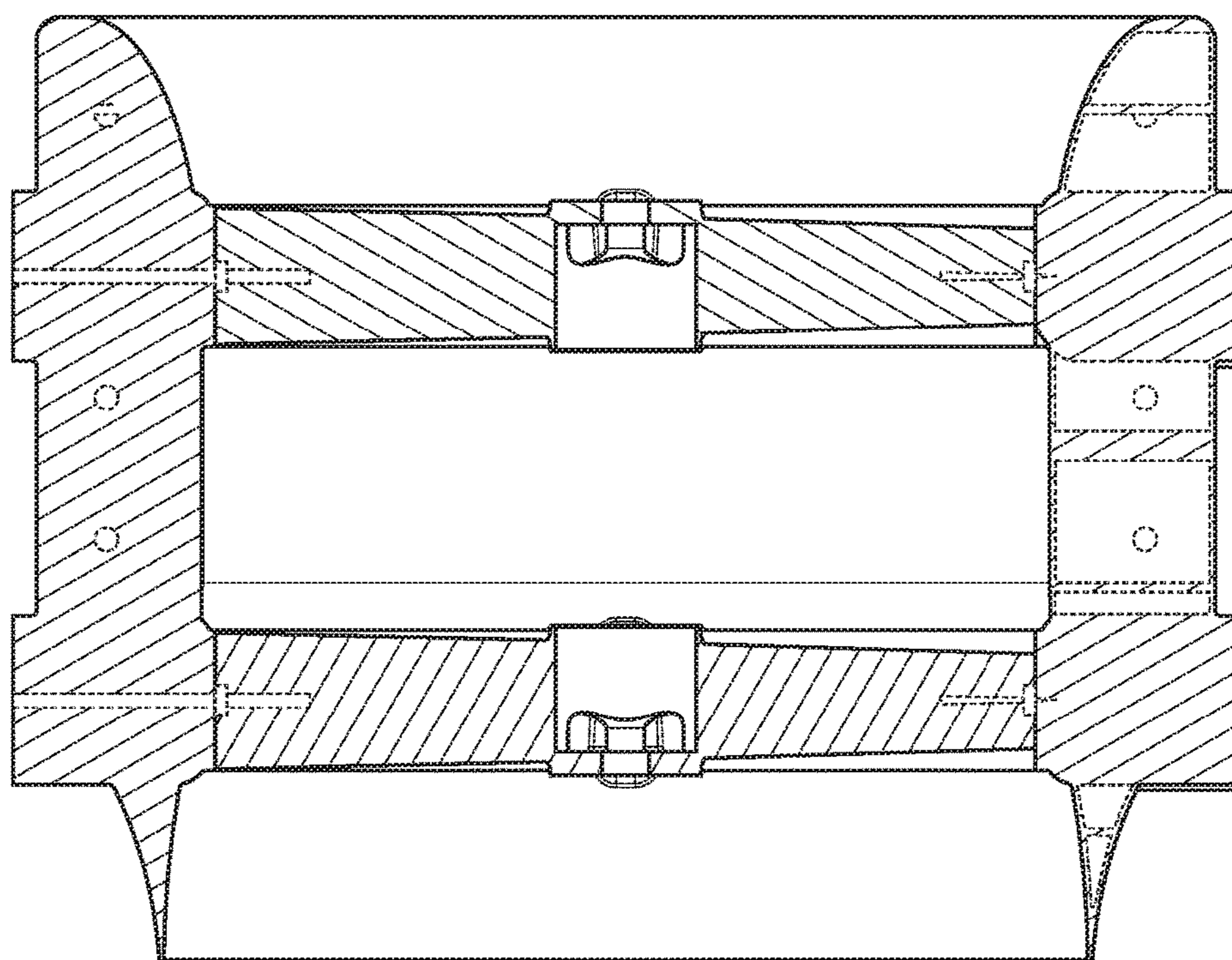


FIG. 1.4

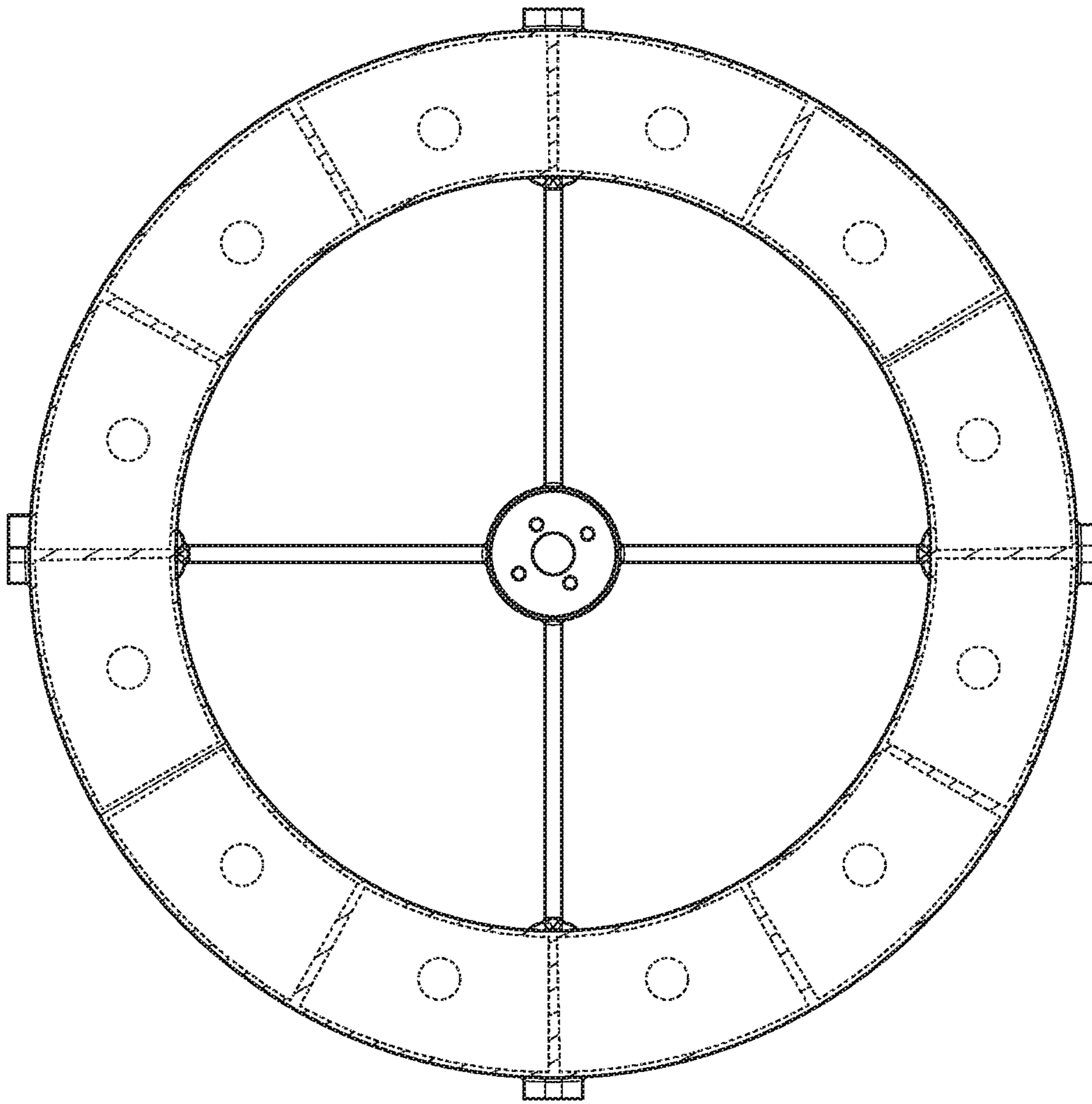


FIG. 1.5

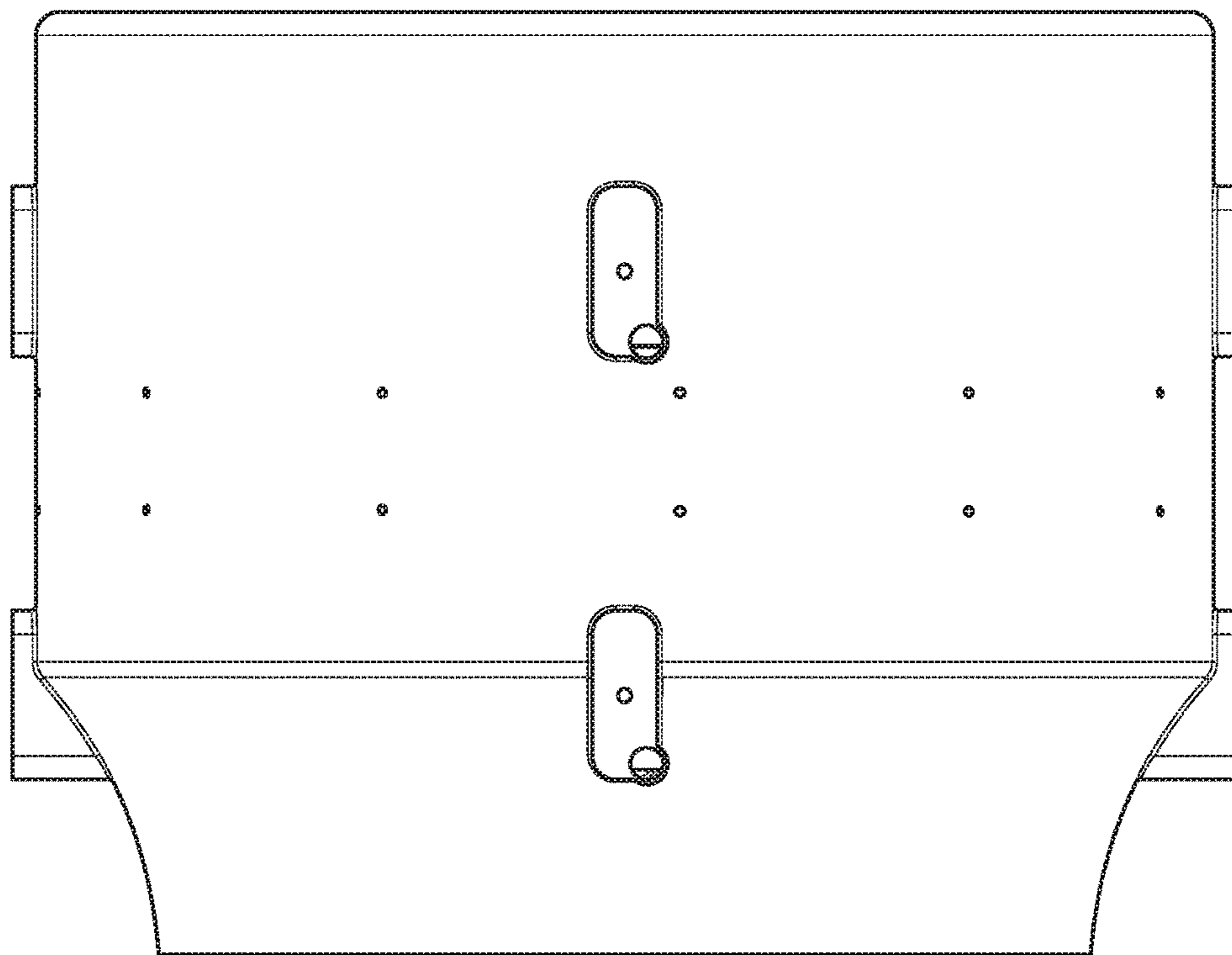


FIG. 1.6

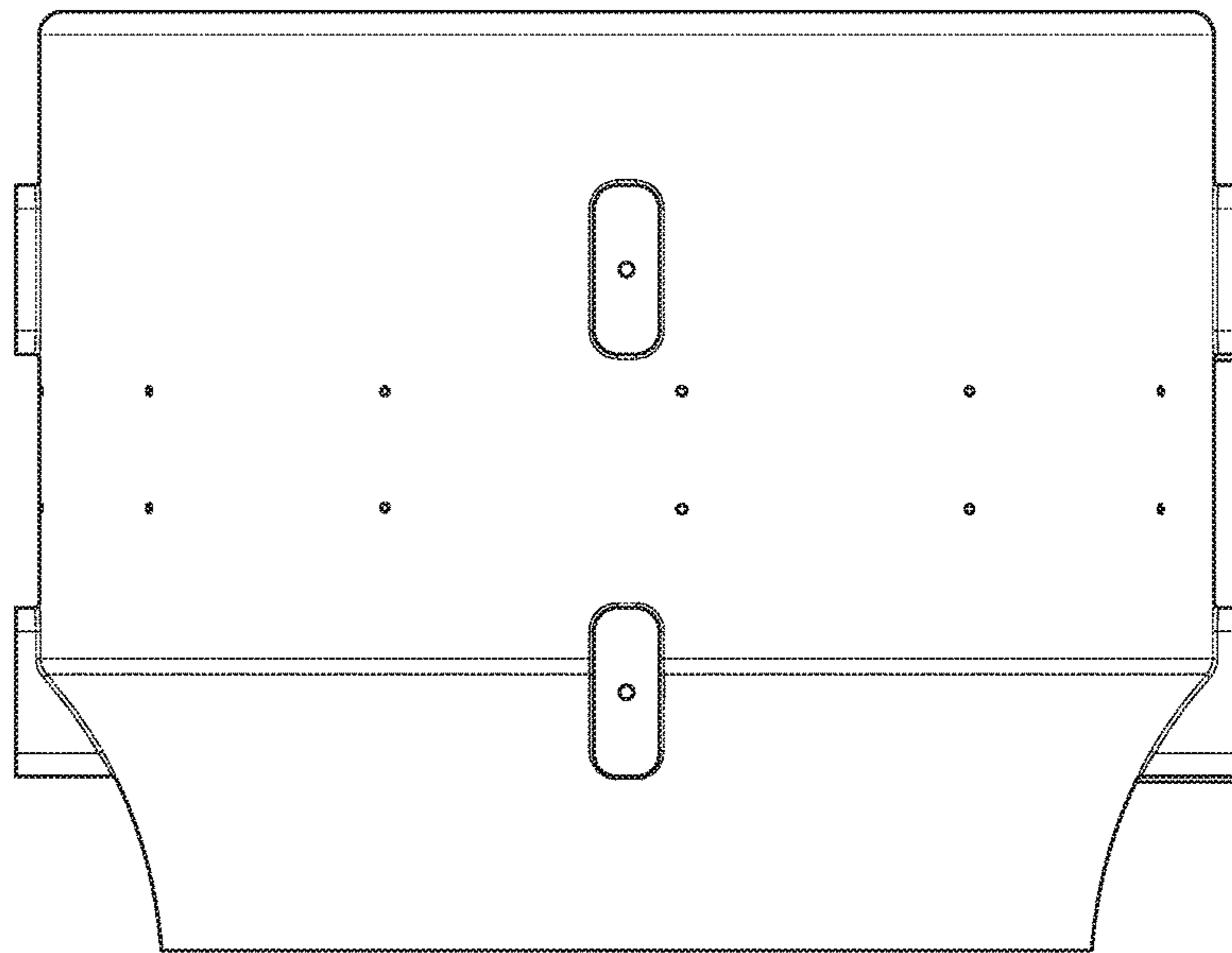


FIG. 1.7