



US00D795785S

(12) **United States Design Patent**  
**Morrison et al.**

(10) **Patent No.:** **US D795,785 S**

(45) **Date of Patent:** **\*\* Aug. 29, 2017**

(54) **MULTI-TERRAIN LANDING GEAR FOR UNMANNED AIRCRAFT**

(71) Applicant: **DRONERAFTS, LLC**, Indianapolis, IN (US)

(72) Inventors: **Adam J. Morrison**, Indianapolis, IN (US); **David L. Moser**, Indianapolis, IN (US); **Zachariah A. Cole**, Huntington Beach, CA (US)

(73) Assignee: **DRONERAFTS LLC**, Indianapolis, IN (US)

(\*\*) Term: **15 Years**

(21) Appl. No.: **29/553,841**

(22) Filed: **Feb. 4, 2016**

(51) **LOC (10) Cl.** ..... **12-07**

(52) **U.S. Cl.**  
USPC ..... **D12/345**; D21/441; D12/16.1

(58) **Field of Classification Search**  
USPC ..... D12/16.1, 319–345; D21/436, 441–444, D21/446–453

(Continued)

(56) **References Cited**

**U.S. PATENT DOCUMENTS**

D465,196 S \* 11/2002 Dammar ..... D12/328  
D691,514 S \* 10/2013 Wang ..... D12/16.1

(Continued)

**OTHER PUBLICATIONS**

Dronerafts by DroneRafts LLC. dated 2016. found online [Nov. 21, 2016] <http://www.dronerafts.com/#drone-anywhere>.\*

*Primary Examiner* — Robert M Spear

*Assistant Examiner* — Marissa J Cash

(74) *Attorney, Agent, or Firm* — One3 IP Management, P.C.; Justin G. Sanders; Peter D. Weinstein

(57) **CLAIM**

The ornamental design for a multi-terrain landing gear for unmanned aircraft, as shown and described.

**DESCRIPTION**

FIG. 1 is a perspective view showing a first embodiment of a multi-terrain landing gear for unmanned aircraft; FIG. 2 is a front view thereof; FIG. 3 is a rear view thereof; FIG. 4 is a left side view thereof; FIG. 5 is a right side view thereof; FIG. 6 is a top view thereof; FIG. 7 is a bottom view thereof; FIG. 8 is a perspective view showing multi-terrain landing gear for unmanned aircraft in an alternate environment of use attached to an unmanned aircraft; FIG. 9 is a perspective view showing second embodiment of a multi-terrain landing gear for unmanned aircraft; FIG. 10 is a front view thereof; FIG. 11 is a rear view thereof; FIG. 12 is a left side view thereof; FIG. 13 is a right side view thereof; FIG. 14 is a top view thereof; FIG. 15 is a bottom view thereof; FIG. 16 is a perspective view showing multi-terrain landing gear for unmanned aircraft in an alternate environment of use attached to an unmanned aircraft; FIG. 17 is a perspective view showing a third embodiment of a multi-terrain landing gear for unmanned aircraft; FIG. 18 is a front view thereof; FIG. 19 is a rear view thereof; FIG. 20 is a left side view thereof; FIG. 21 is a right side view thereof; FIG. 22 is a top view thereof; FIG. 23 is a bottom view thereof; FIG. 24 is a perspective view showing the multi-terrain landing gear for unmanned aircraft in an alternate environment of use attached to an unmanned aircraft; FIG. 25 is a perspective view showing a fourth embodiment of a multi-terrain landing gear for unmanned aircraft; FIG. 26 is a front view thereof; FIG. 27 is a rear view thereof; FIG. 28 is a left side view thereof;

(Continued)

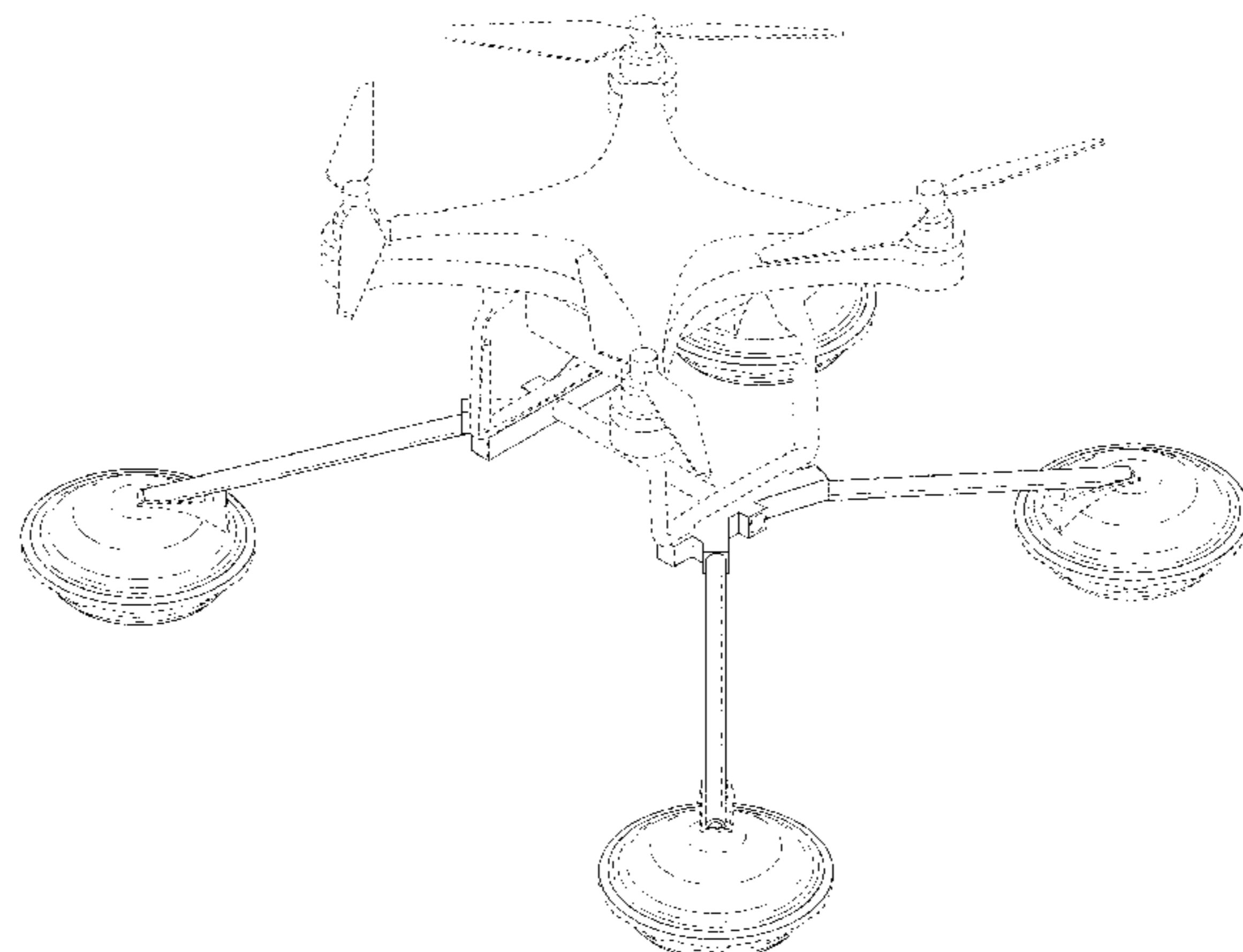


FIG. 29 is a right side view thereof;  
FIG. 30 is a top view thereof;  
FIG. 31 is a bottom view thereof; and,  
FIG. 32 is a perspective view showing the multi-terrain landing gear for unmanned aircraft in an alternate environment of use attached to an unmanned aircraft.  
In the drawings, the broken lines depict environmental subject matter only and form no part of the claimed design.

**1 Claim, 24 Drawing Sheets**

(58) **Field of Classification Search**

CPC ..... B64C 1/062; B64C 39/024; B64C 27/08;  
B64C 29/00; B64C 39/00; B64C 23/00  
See application file for complete search history.

(56) **References Cited**

U.S. PATENT DOCUMENTS

D741,751 S \* 10/2015 Klaptocz ..... D12/16.1  
D741,779 S \* 10/2015 Hsiao ..... D12/16.1  
D745,435 S \* 12/2015 Park ..... D12/16.1  
9,233,754 B1 \* 1/2016 Wang ..... B64C 39/024  
D759,764 S \* 6/2016 Lai ..... D12/16.1  
D763,134 S \* 8/2016 Wang ..... D12/16.1  
D766,159 S \* 9/2016 Noorani ..... D12/345  
D768,539 S \* 10/2016 Lee ..... D12/16.1

\* cited by examiner

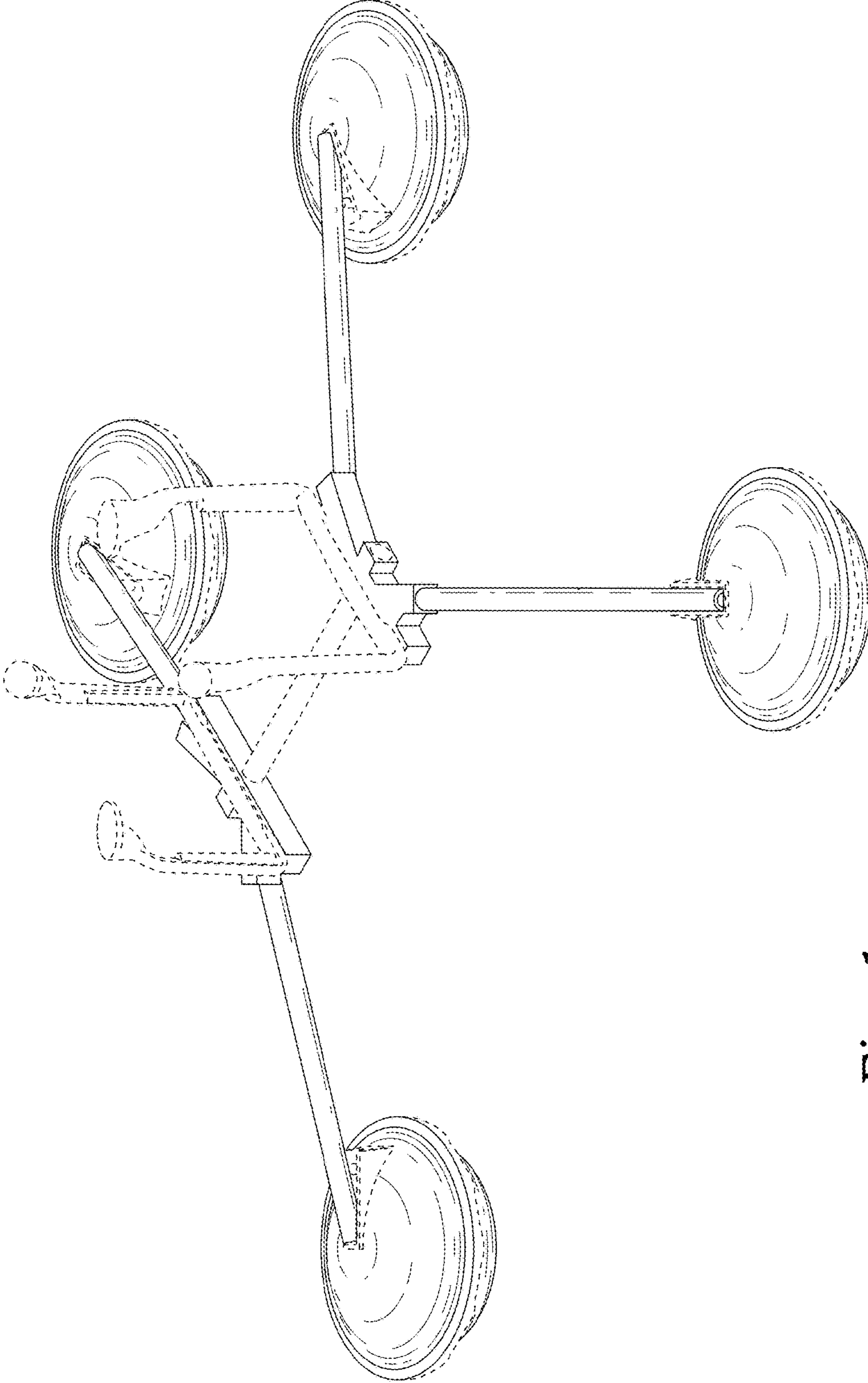


Fig. 1

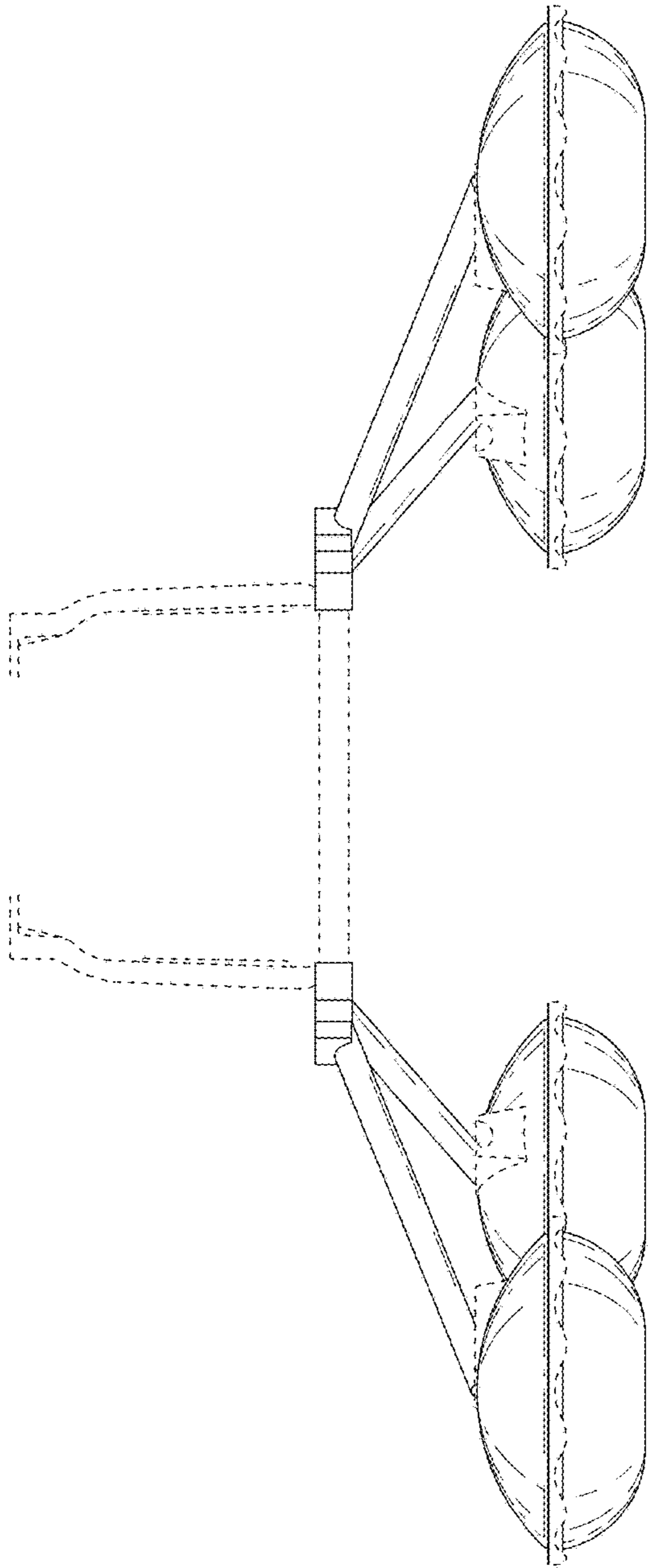


Fig. 2

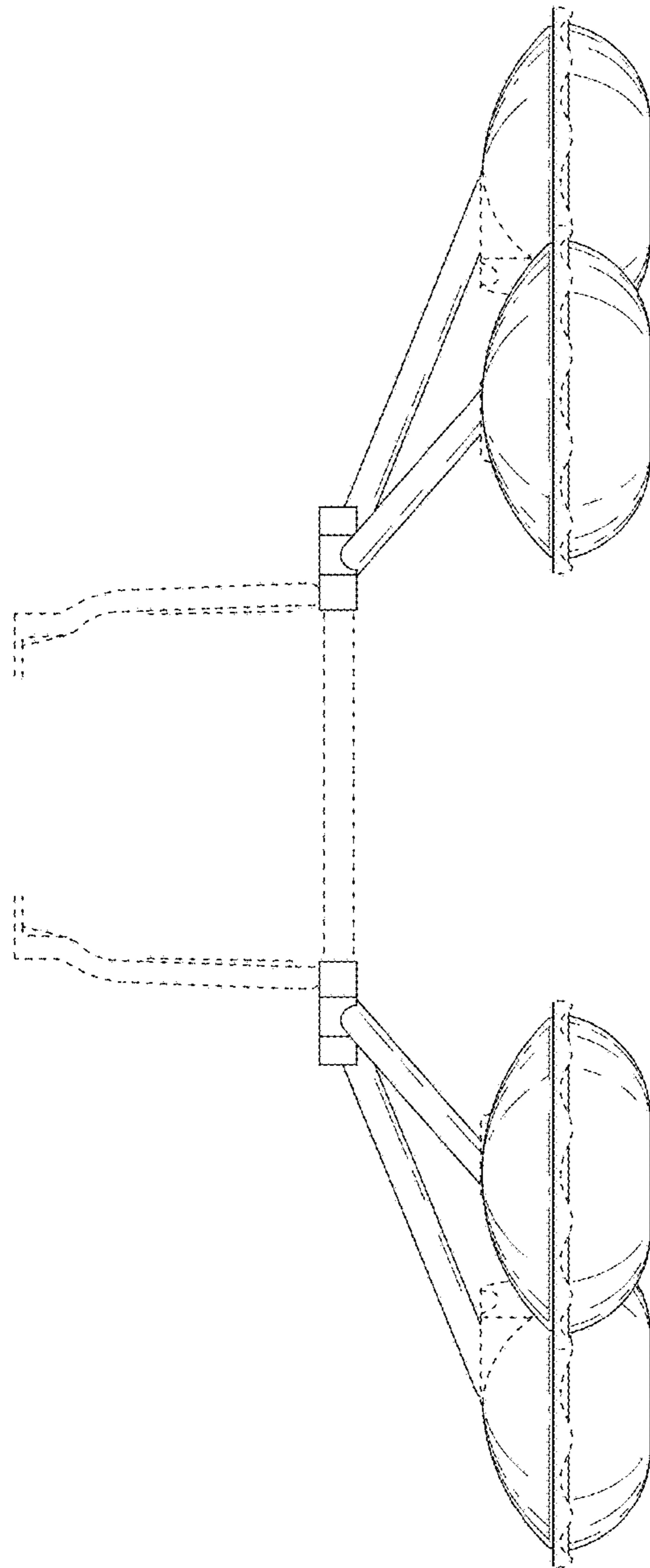


Fig. 3

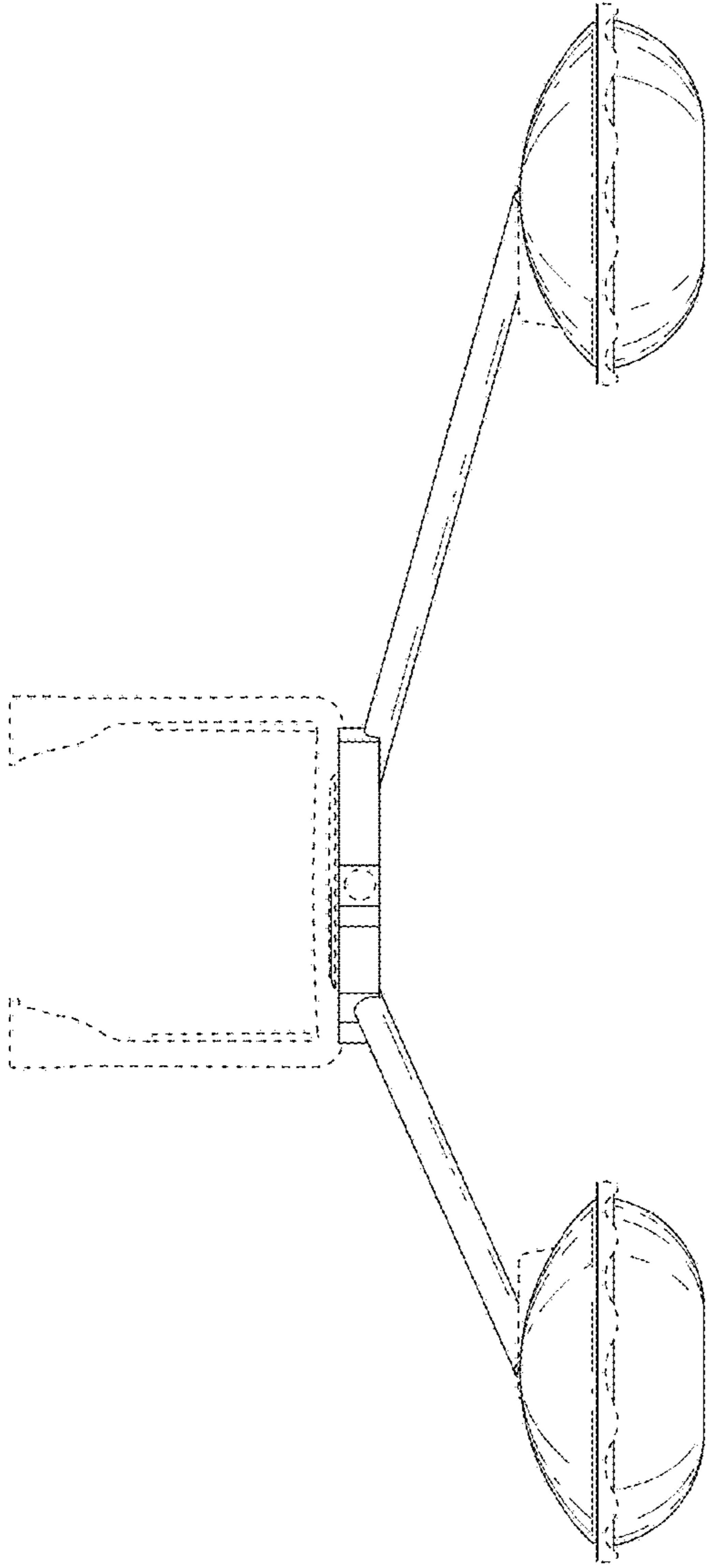


Fig. 4

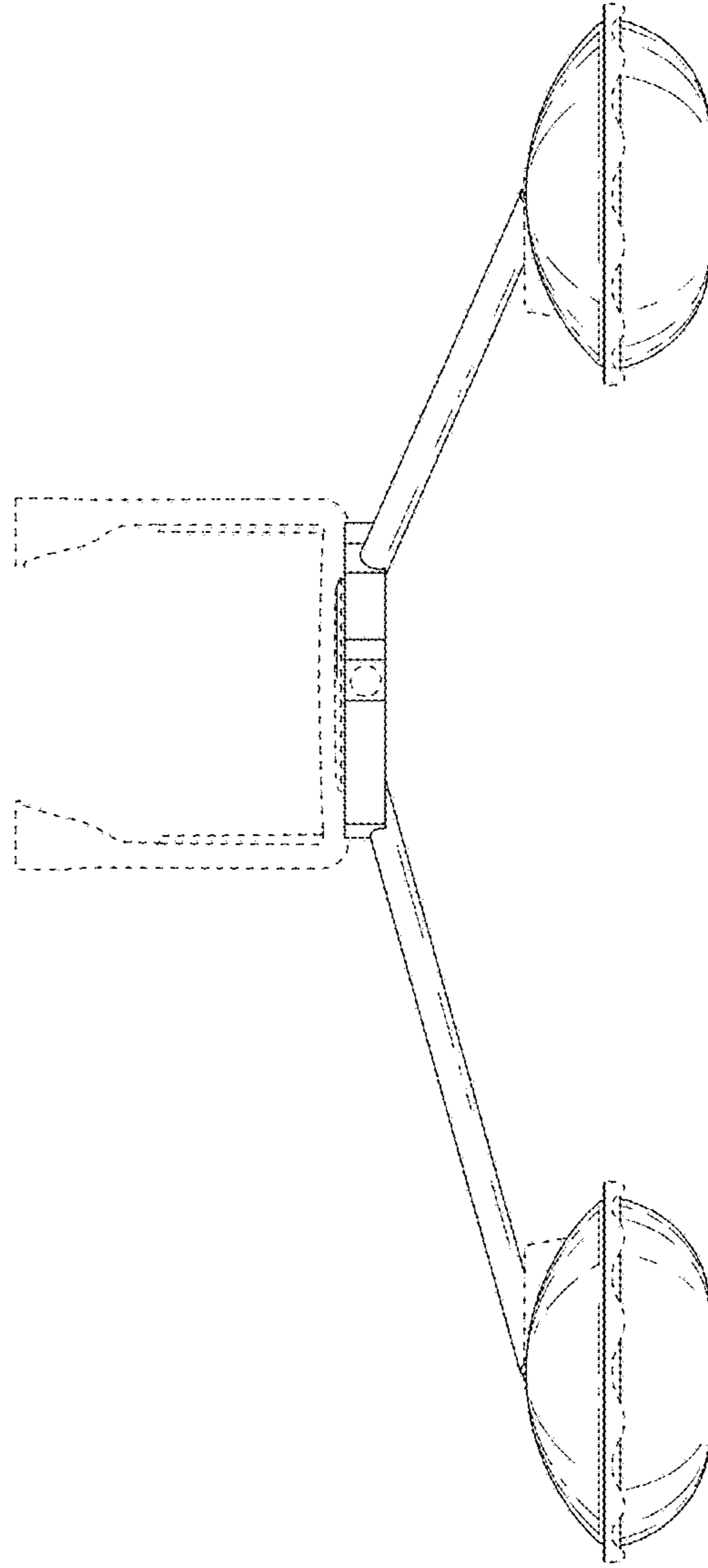


Fig. 5

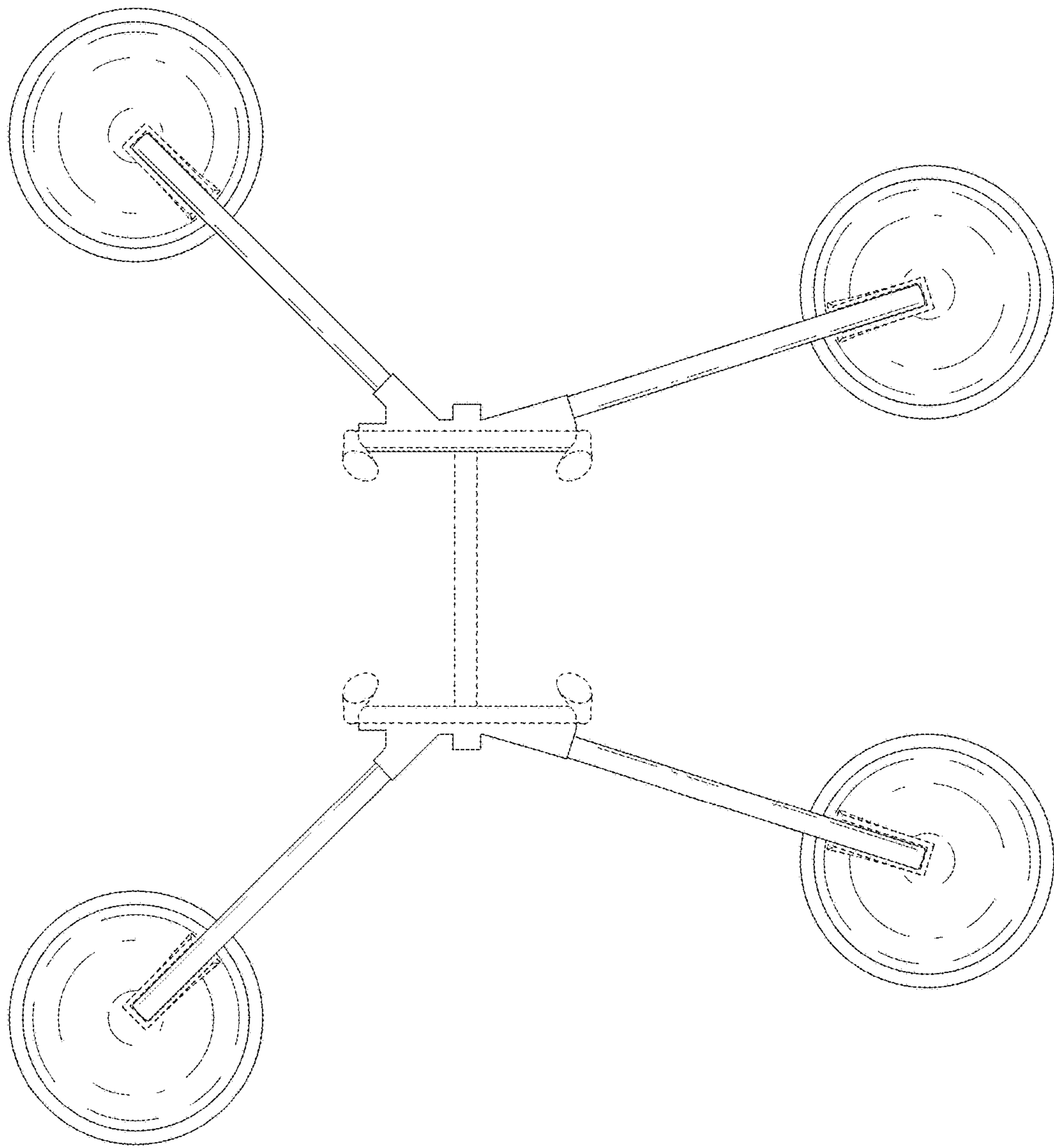
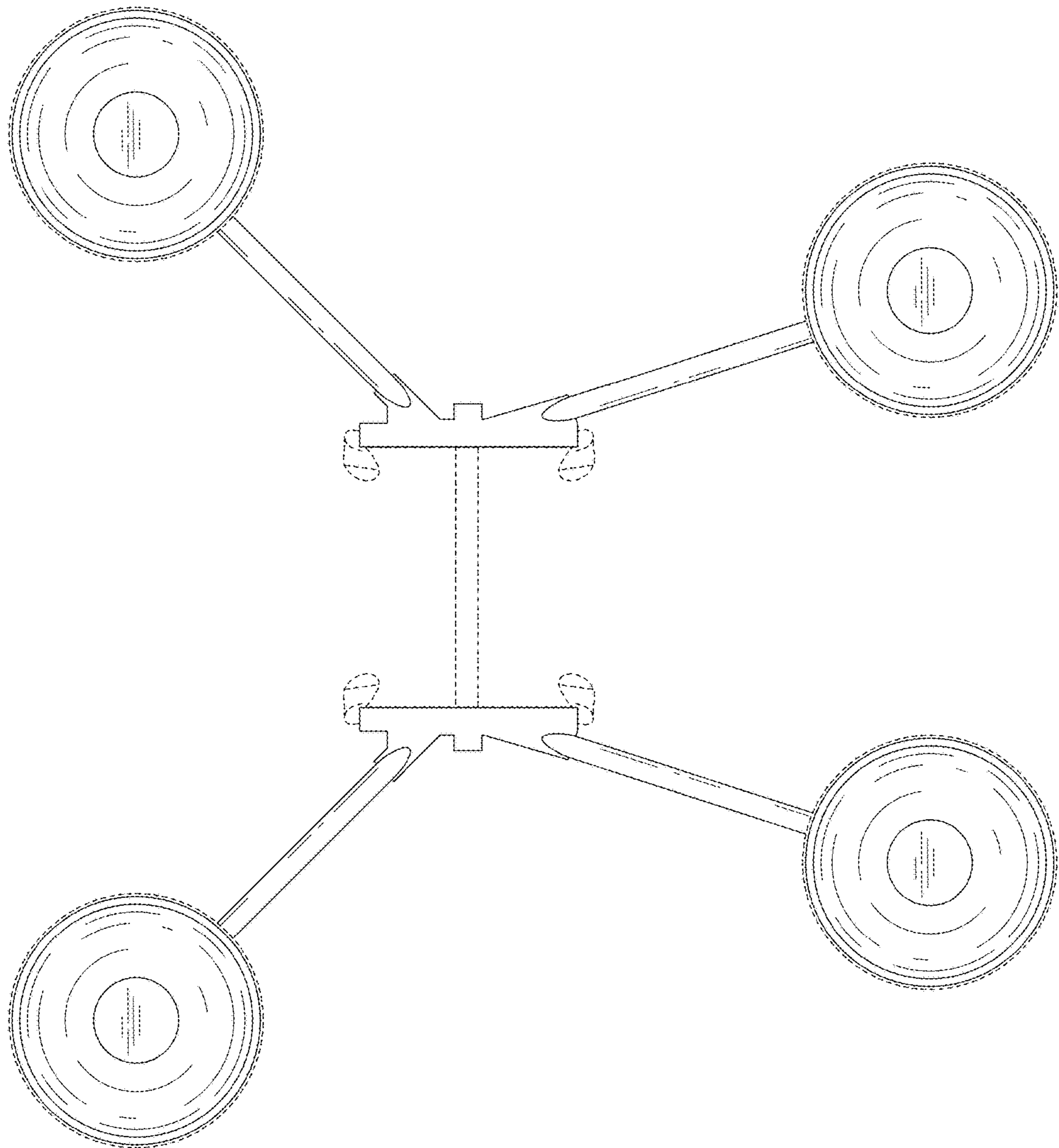


Fig. 6



*Fig. 7*

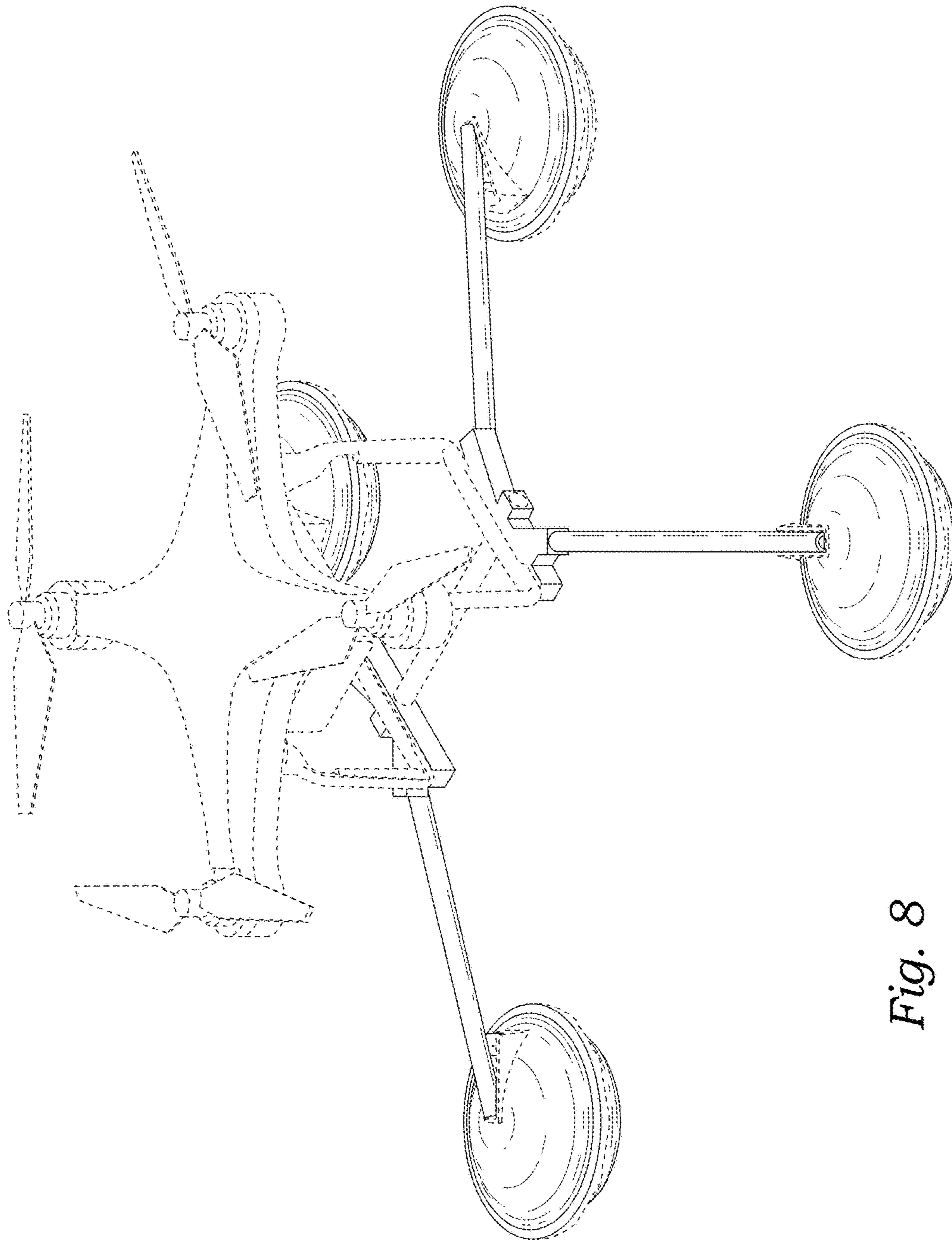


Fig. 8



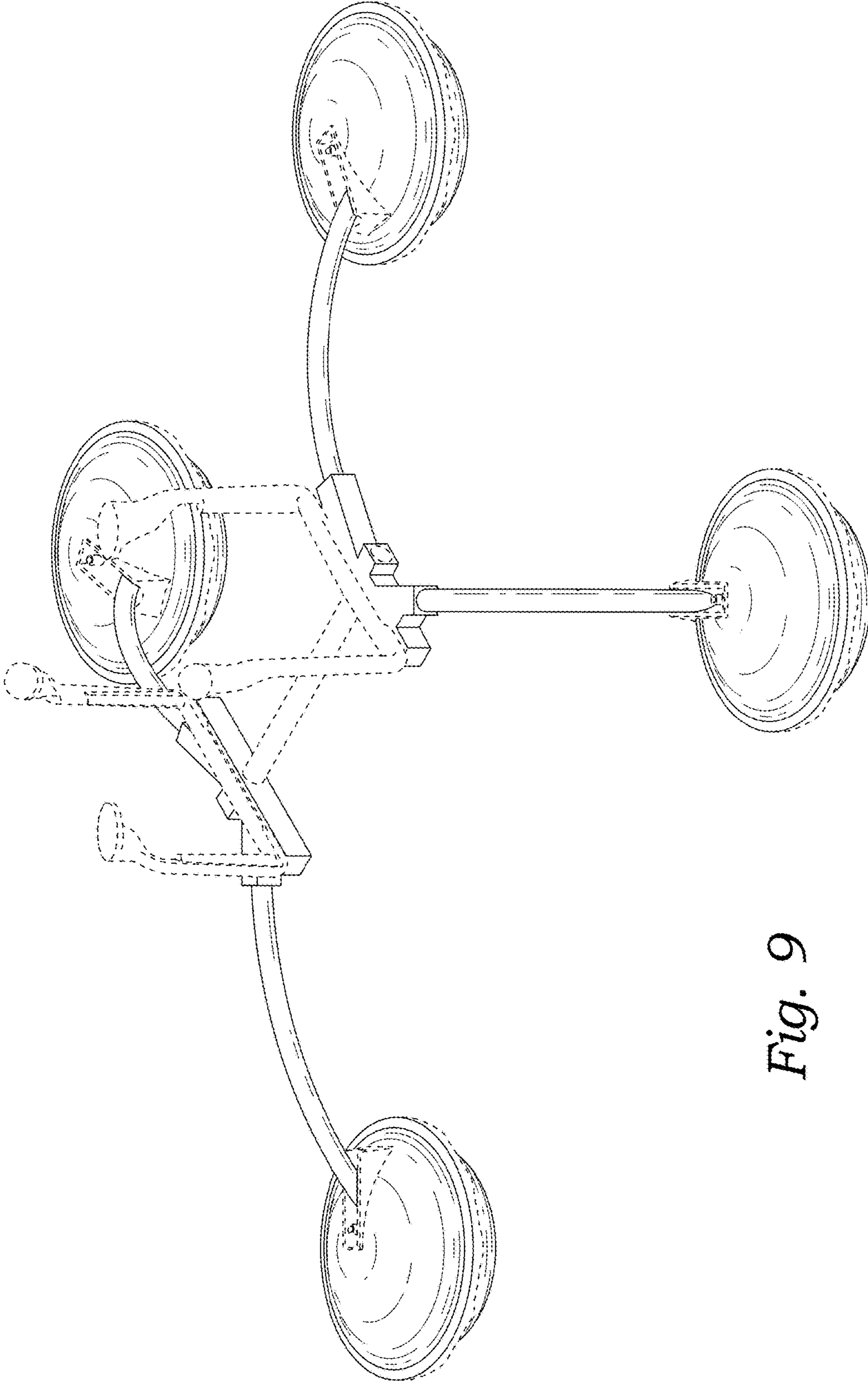


Fig. 9

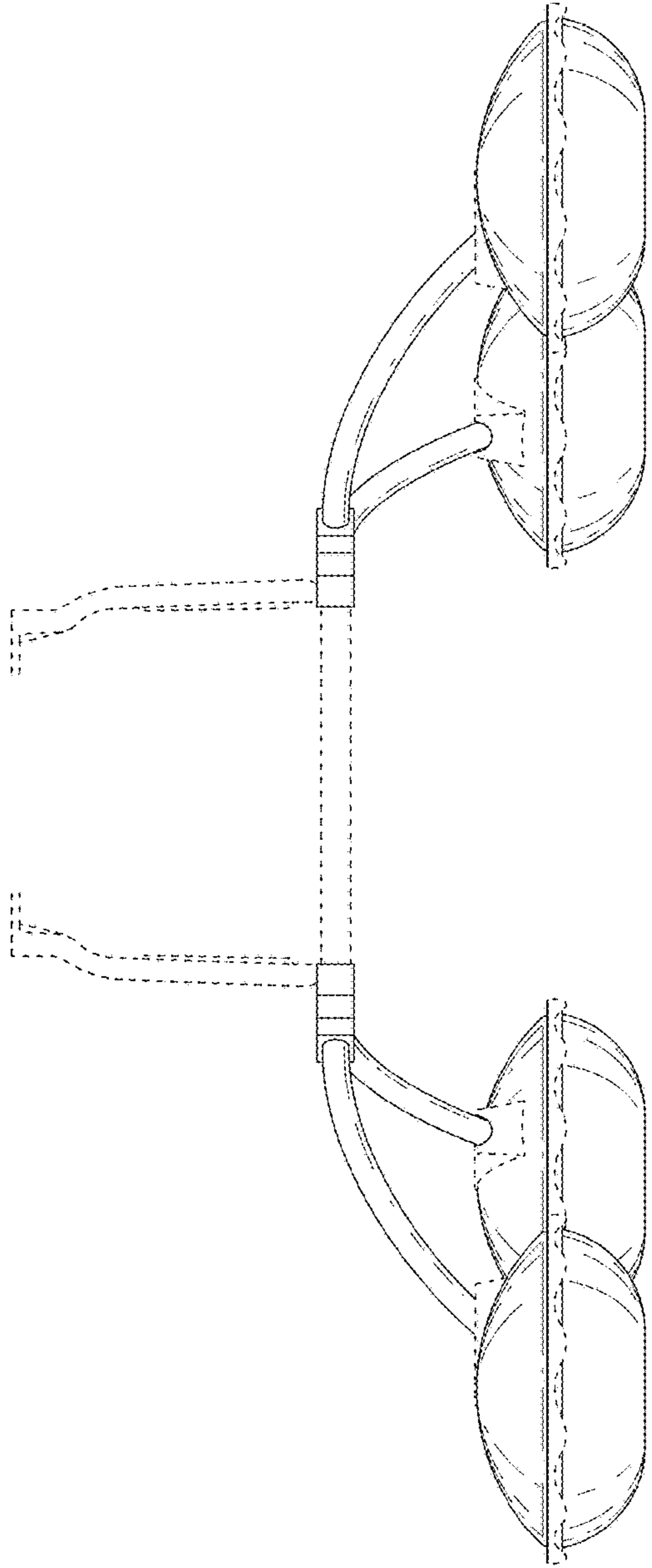


Fig. 10

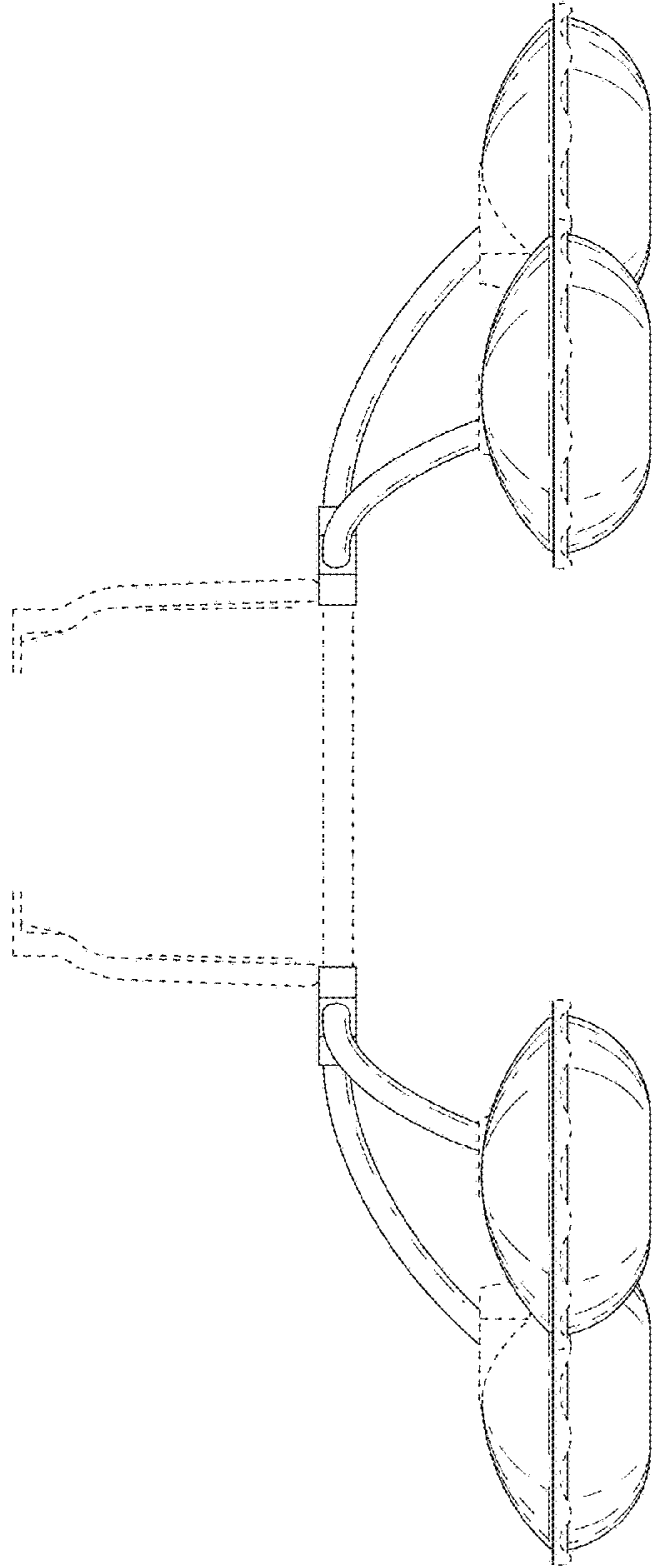


Fig. 11

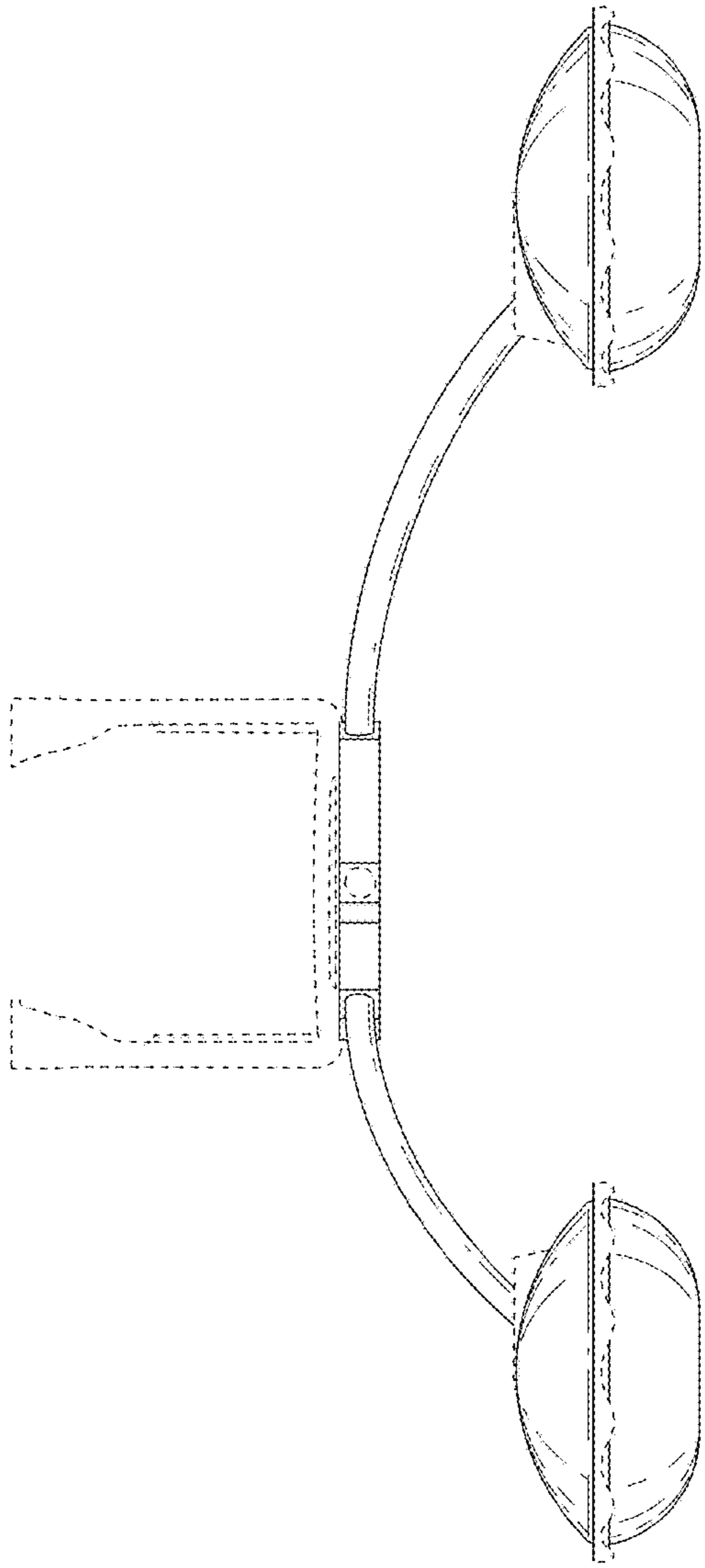


Fig. 12

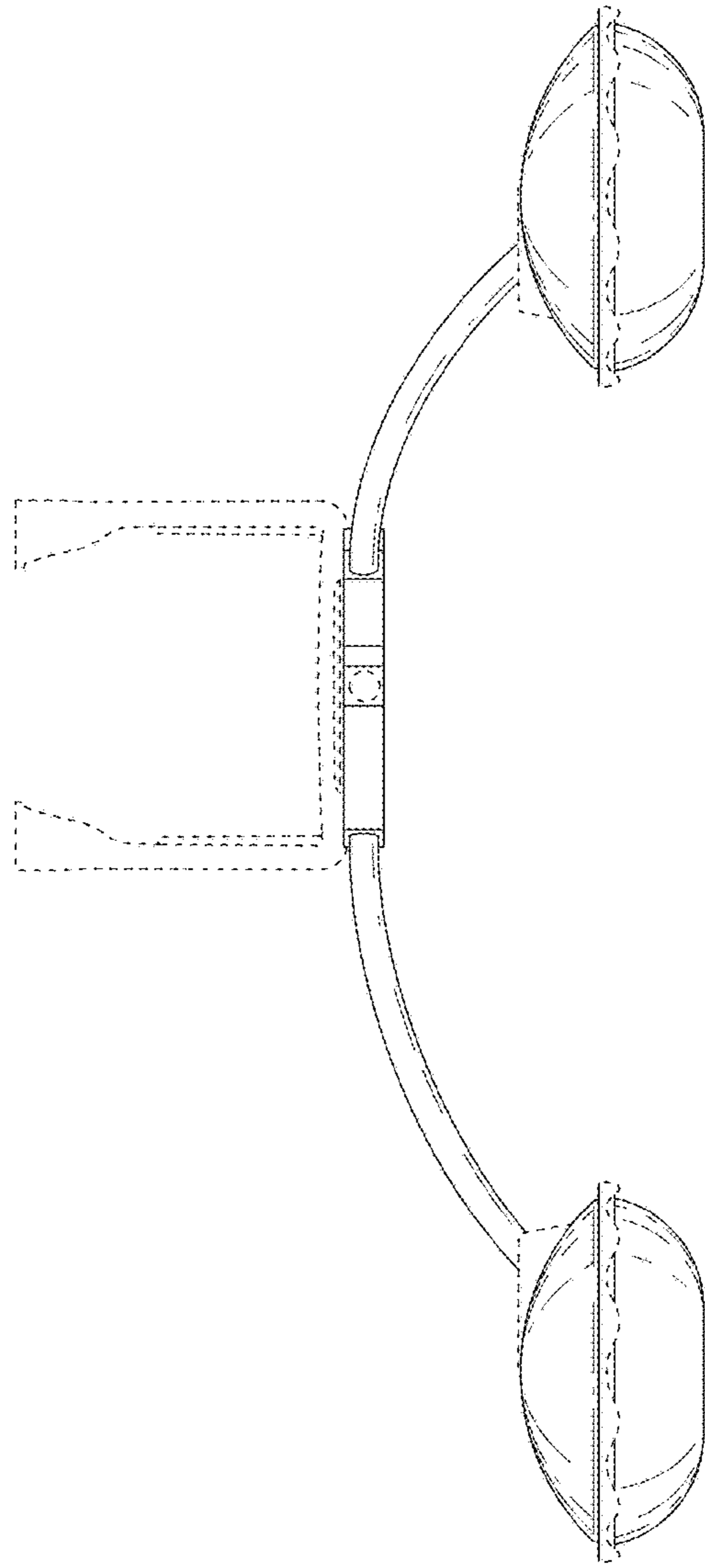
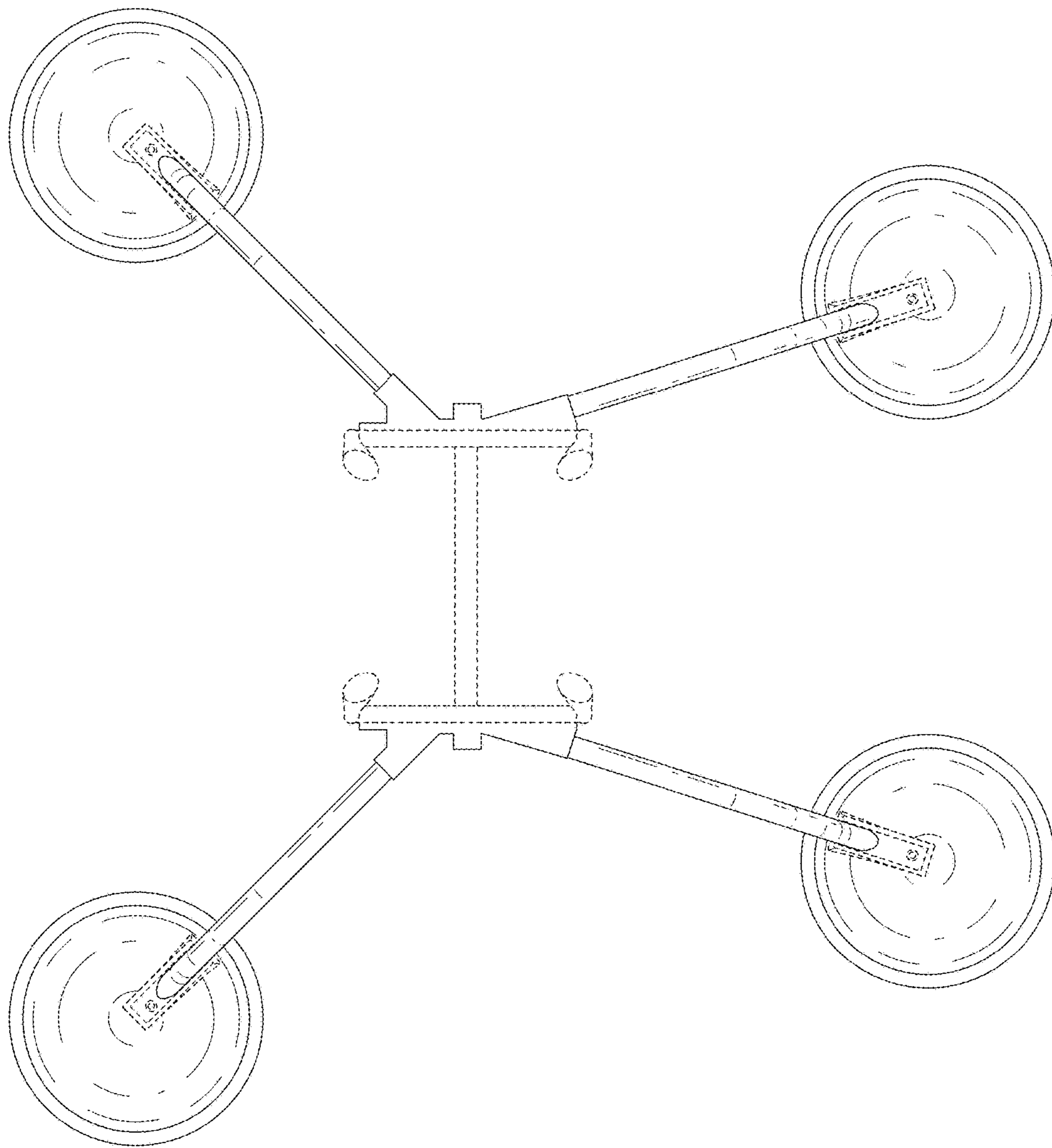
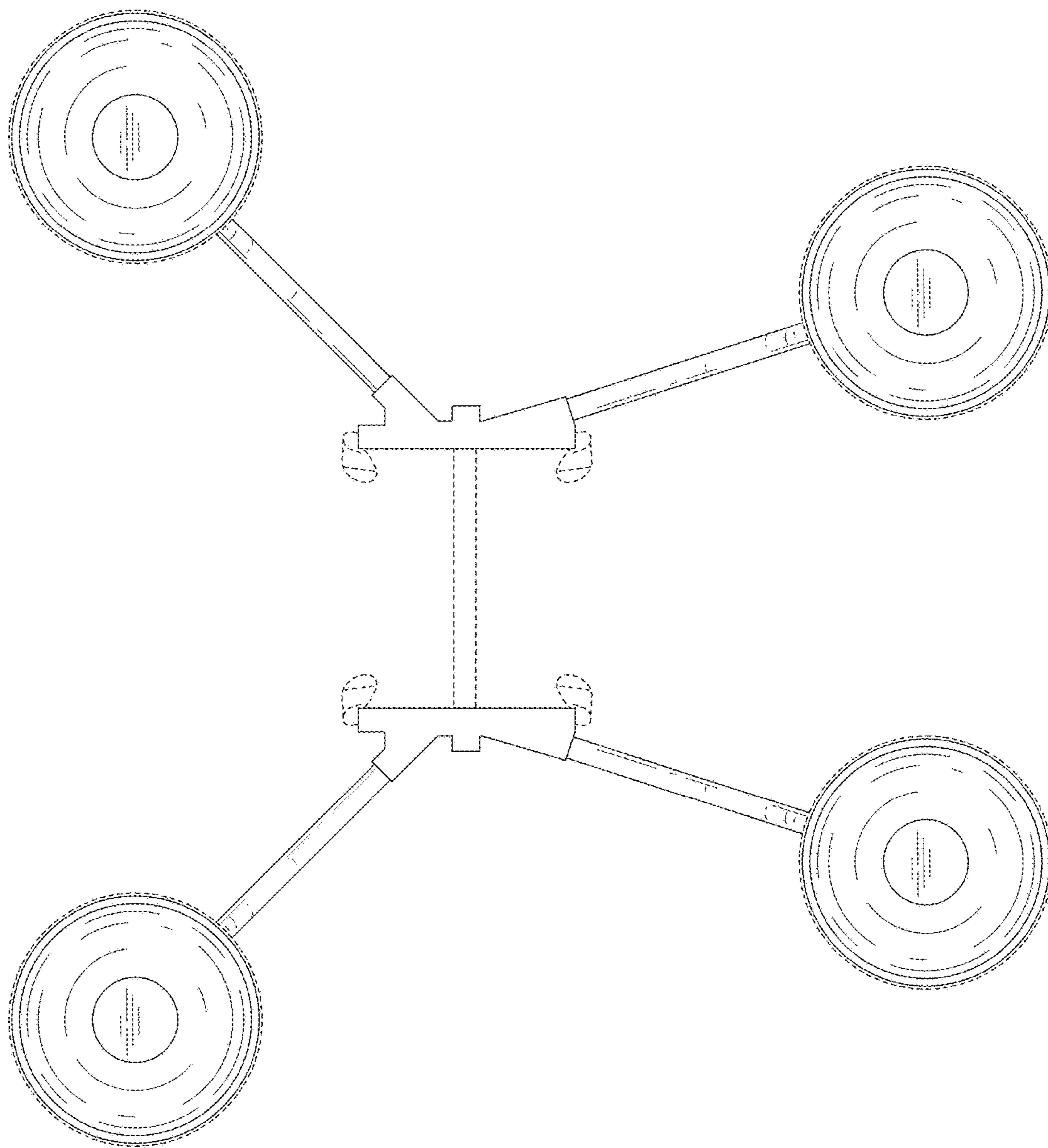


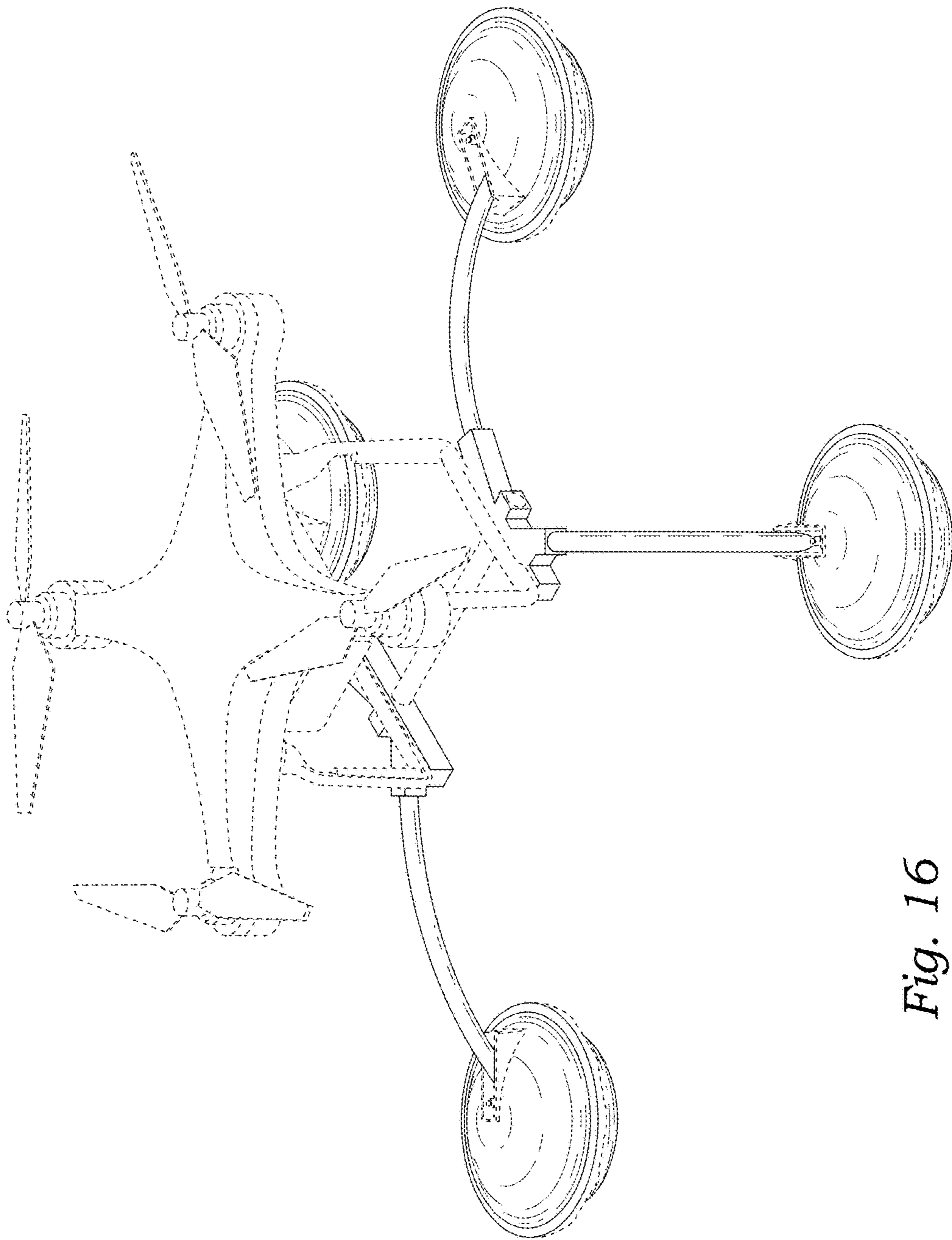
Fig. 13



*Fig. 14*



*Fig. 15*



*Fig. 16*

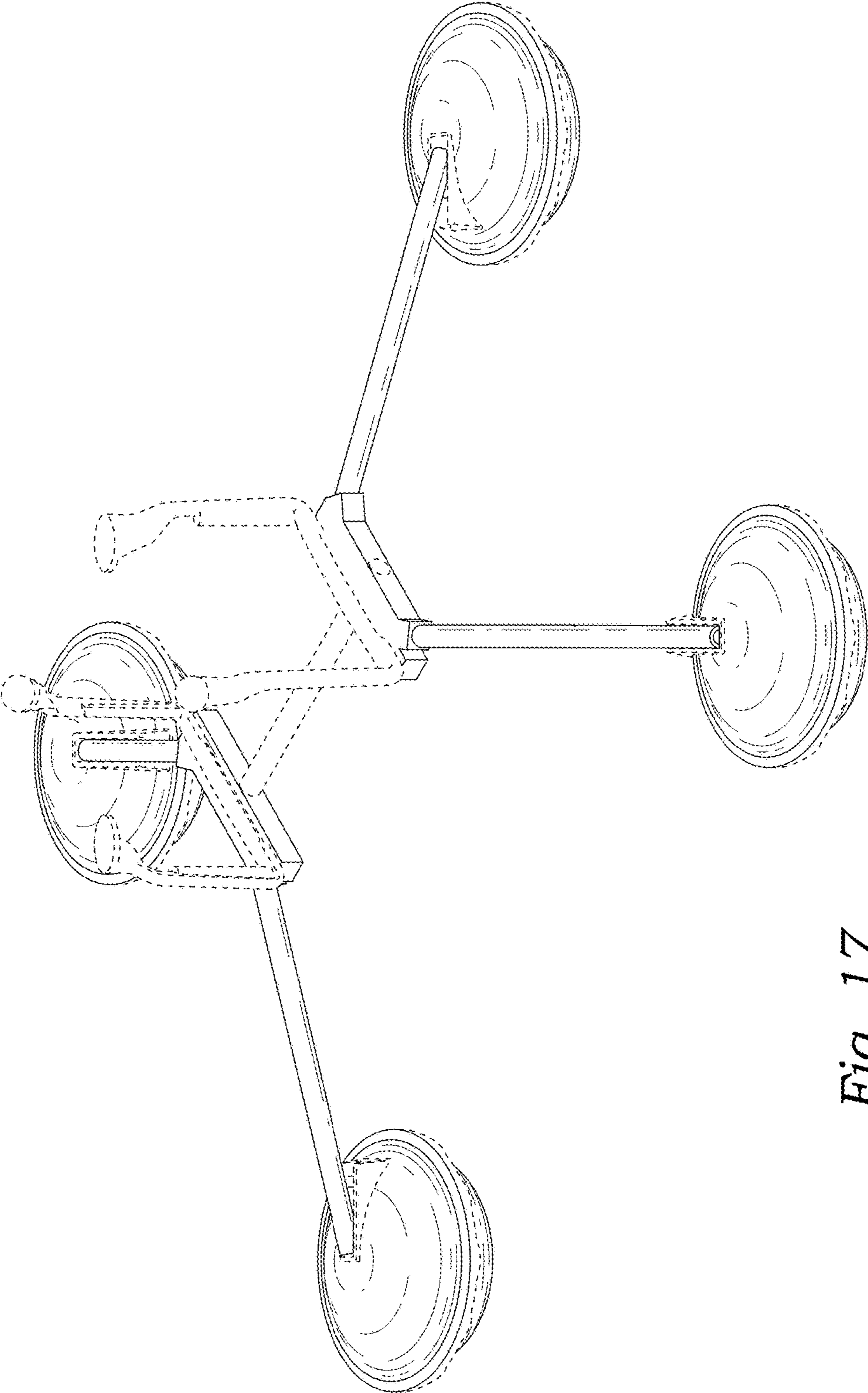


Fig. 17

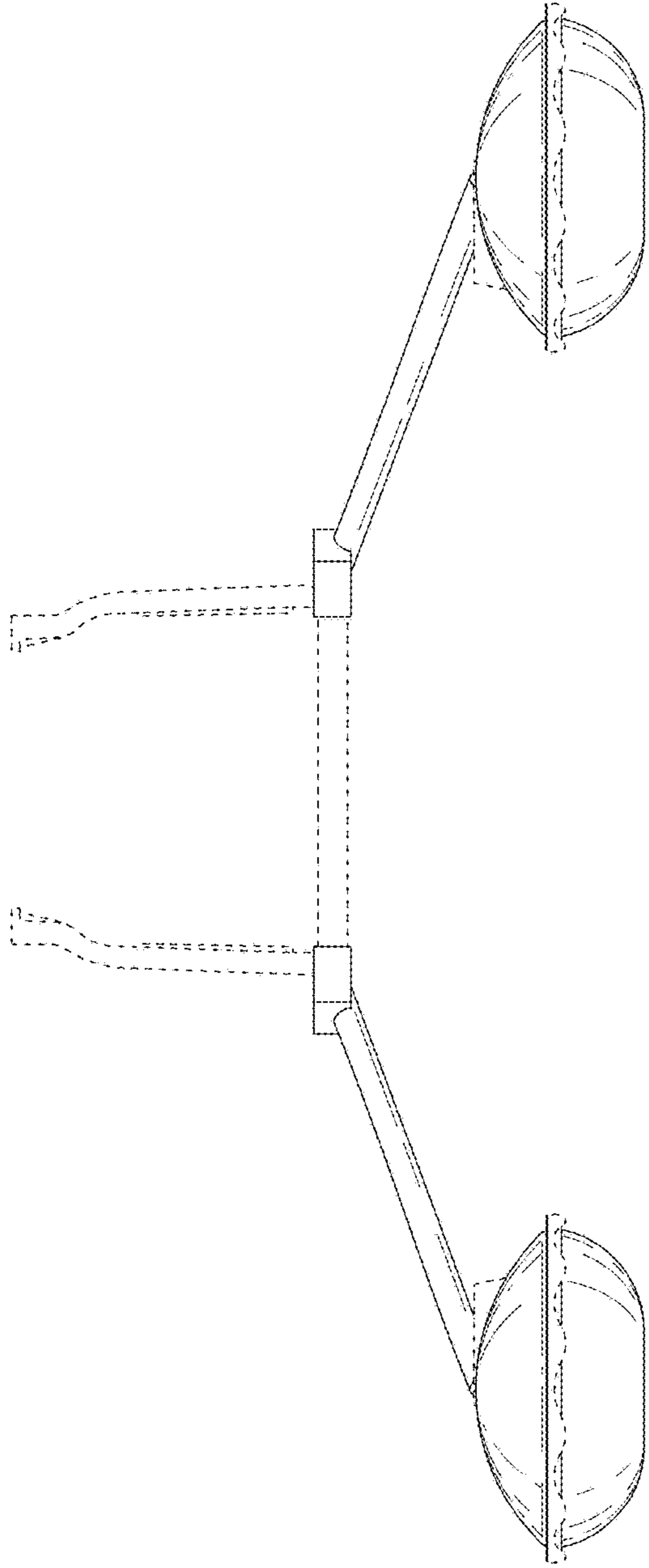


Fig. 18

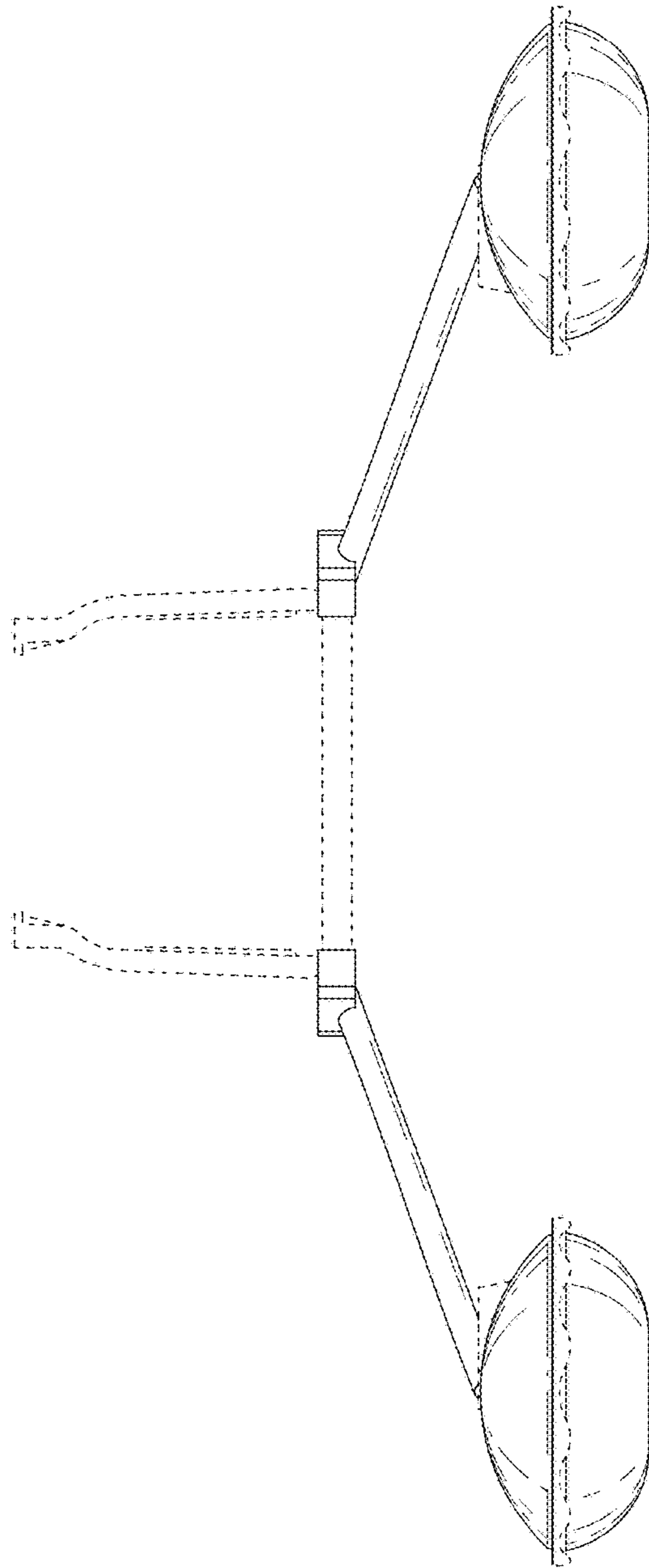


Fig. 19



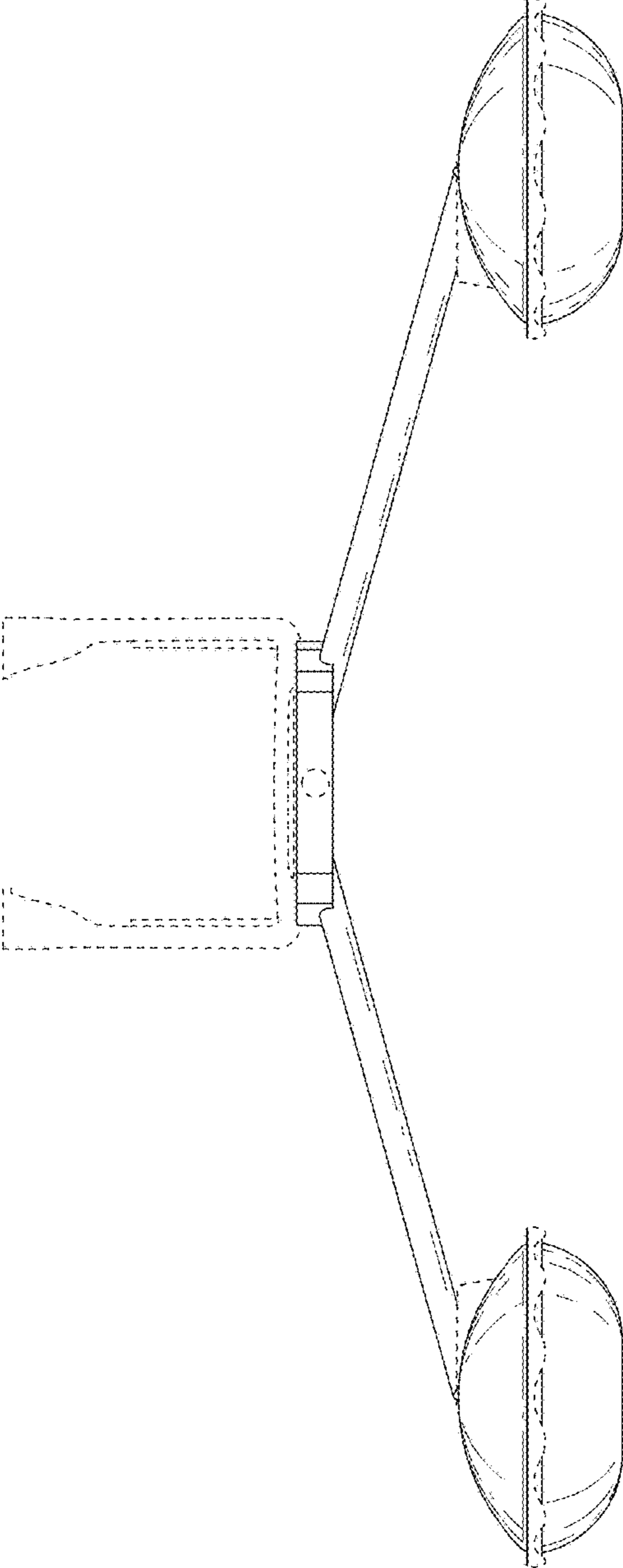


Fig. 20

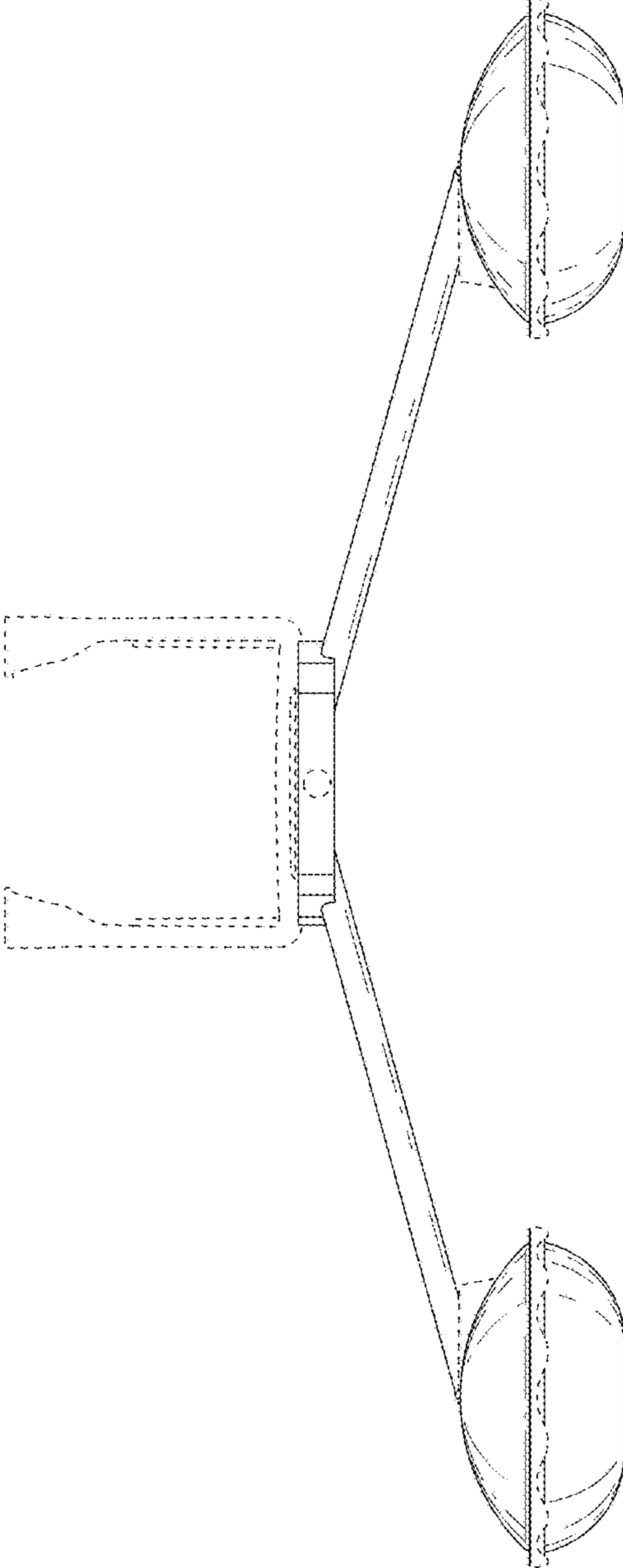
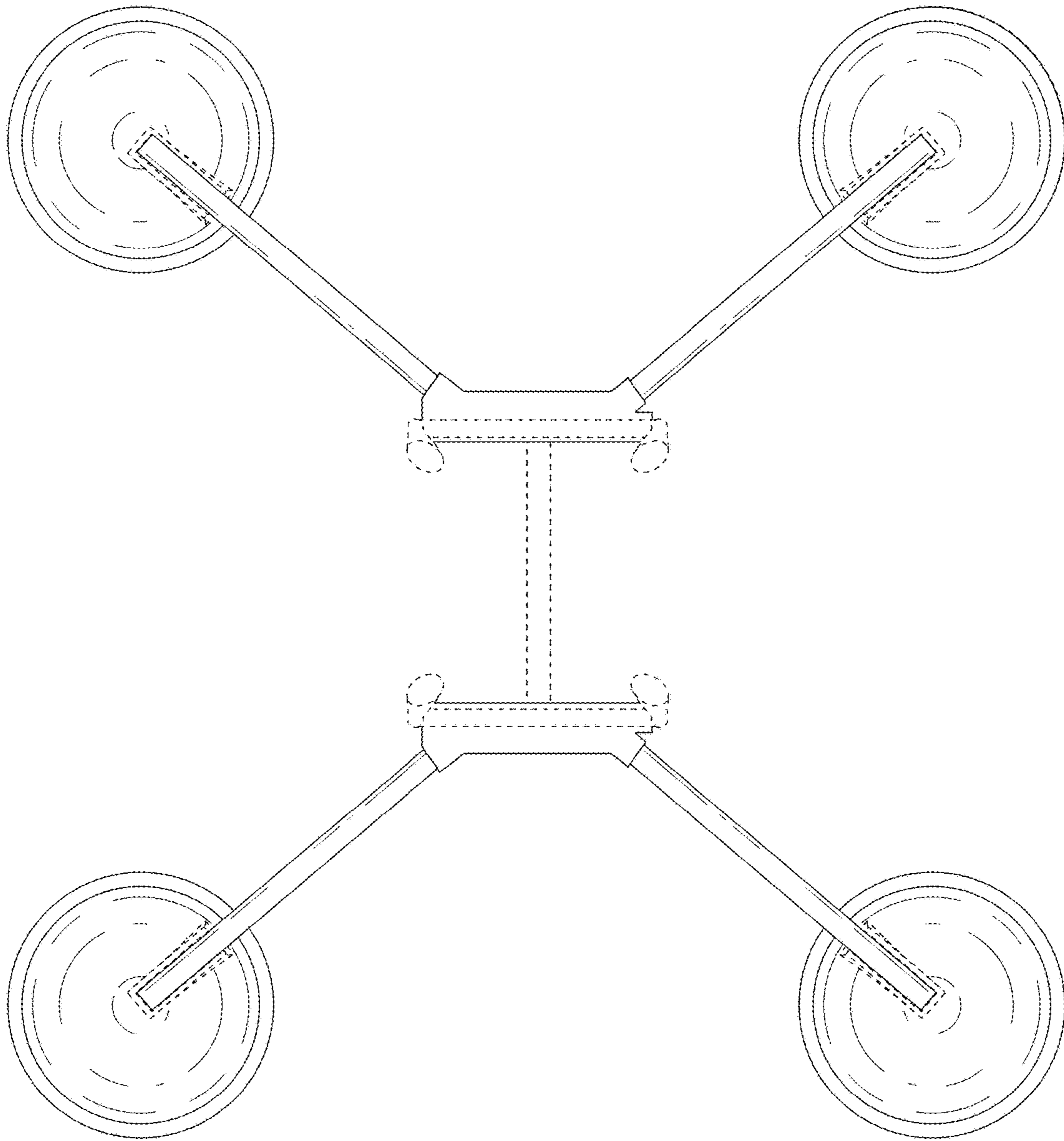
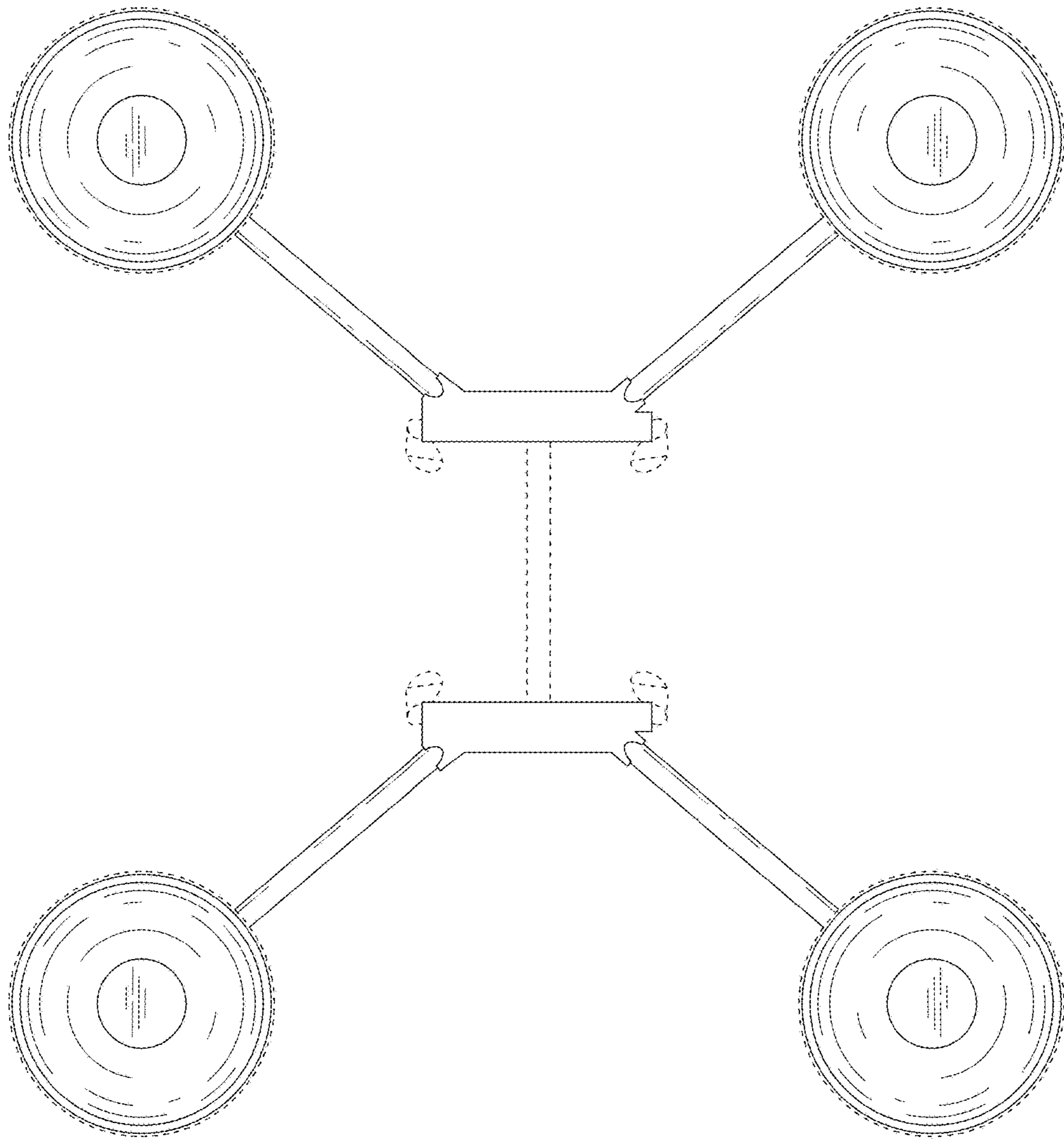


Fig. 21



*Fig. 22*



*Fig. 23*

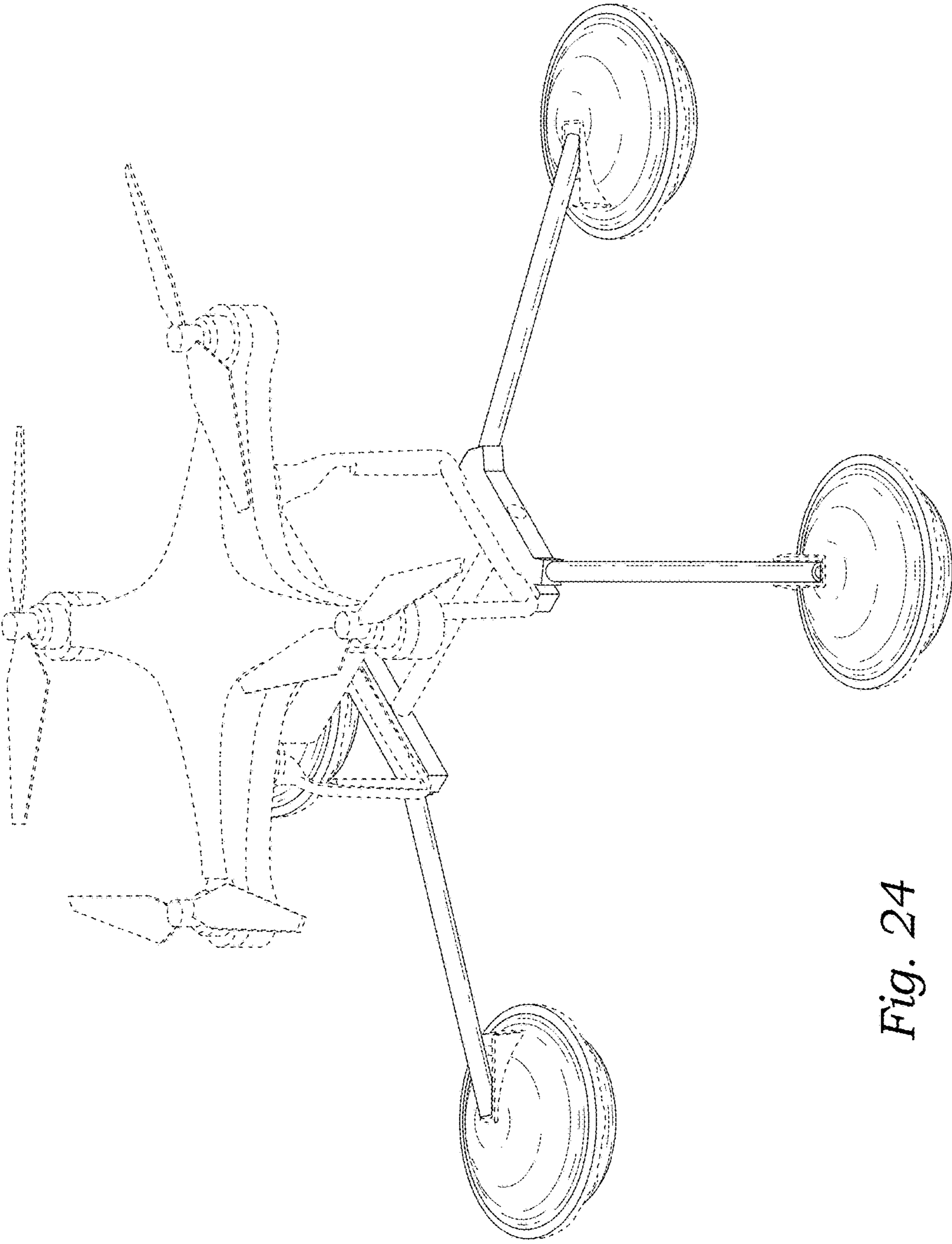


Fig. 24

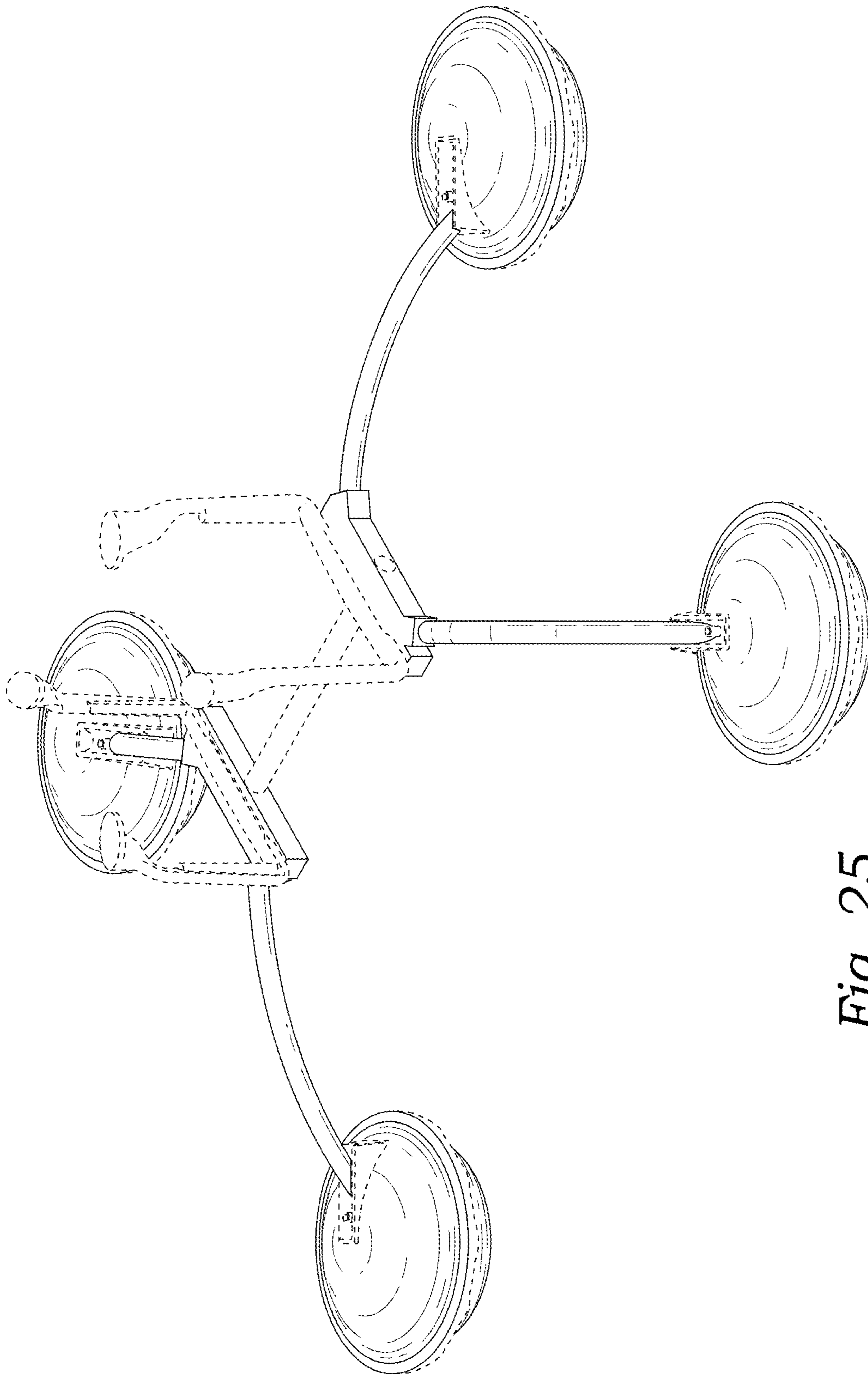


Fig. 25

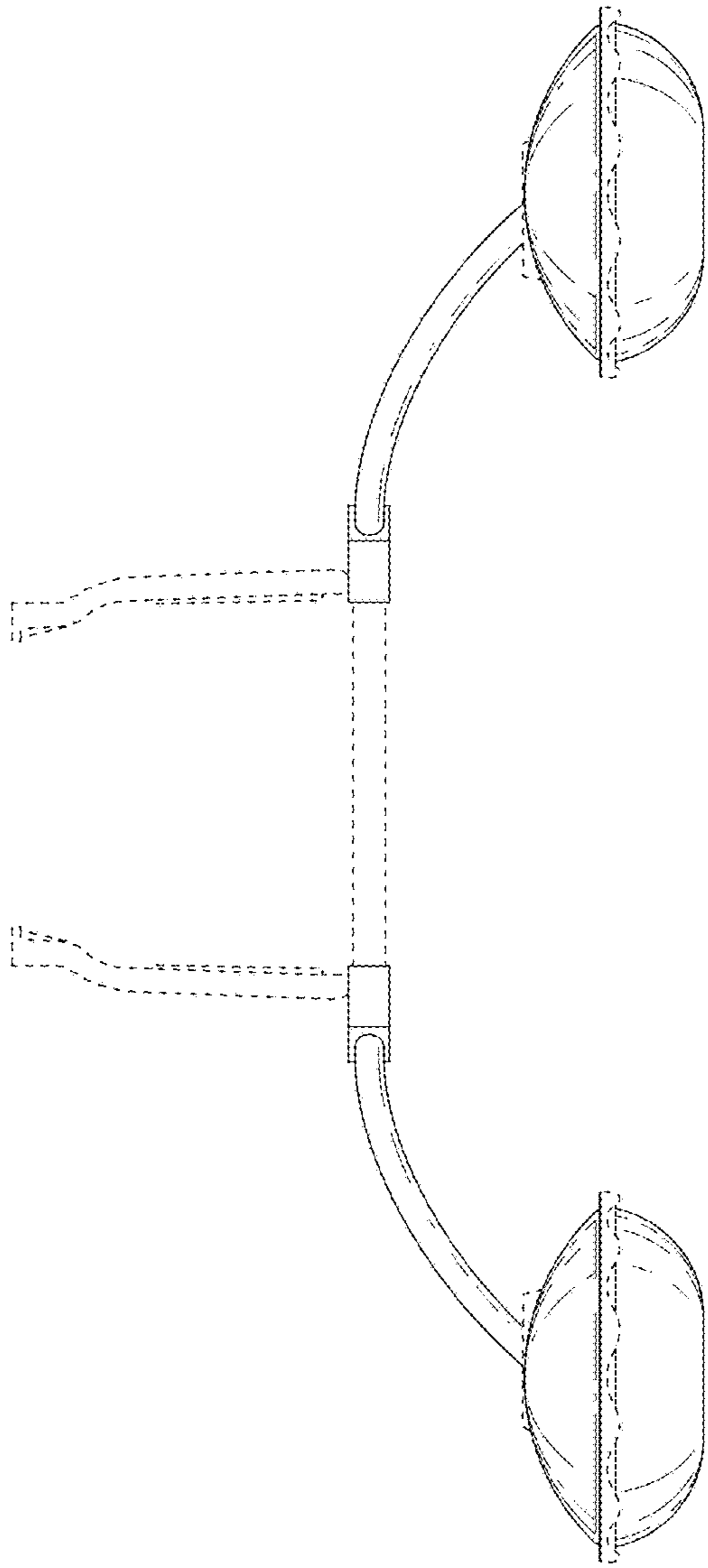


Fig. 26

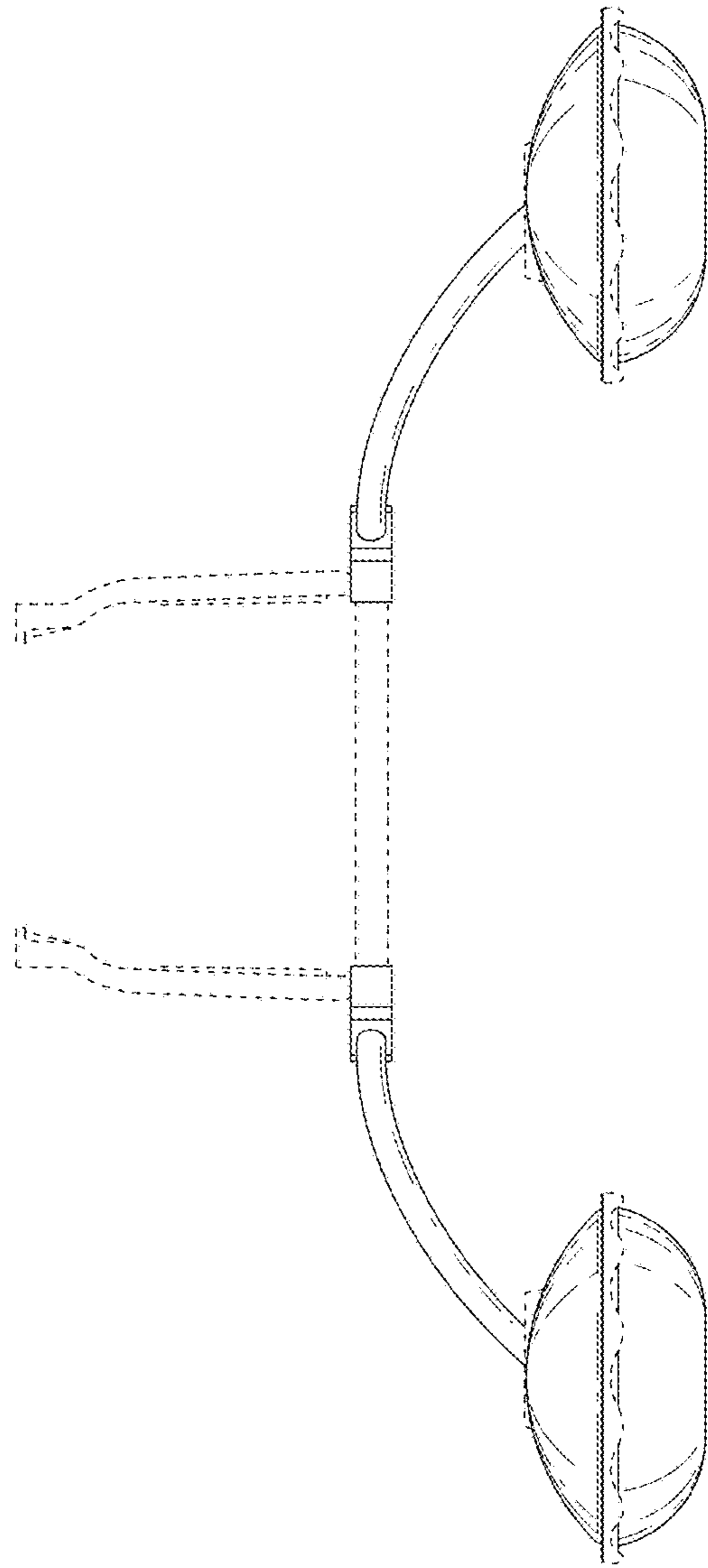


Fig. 27

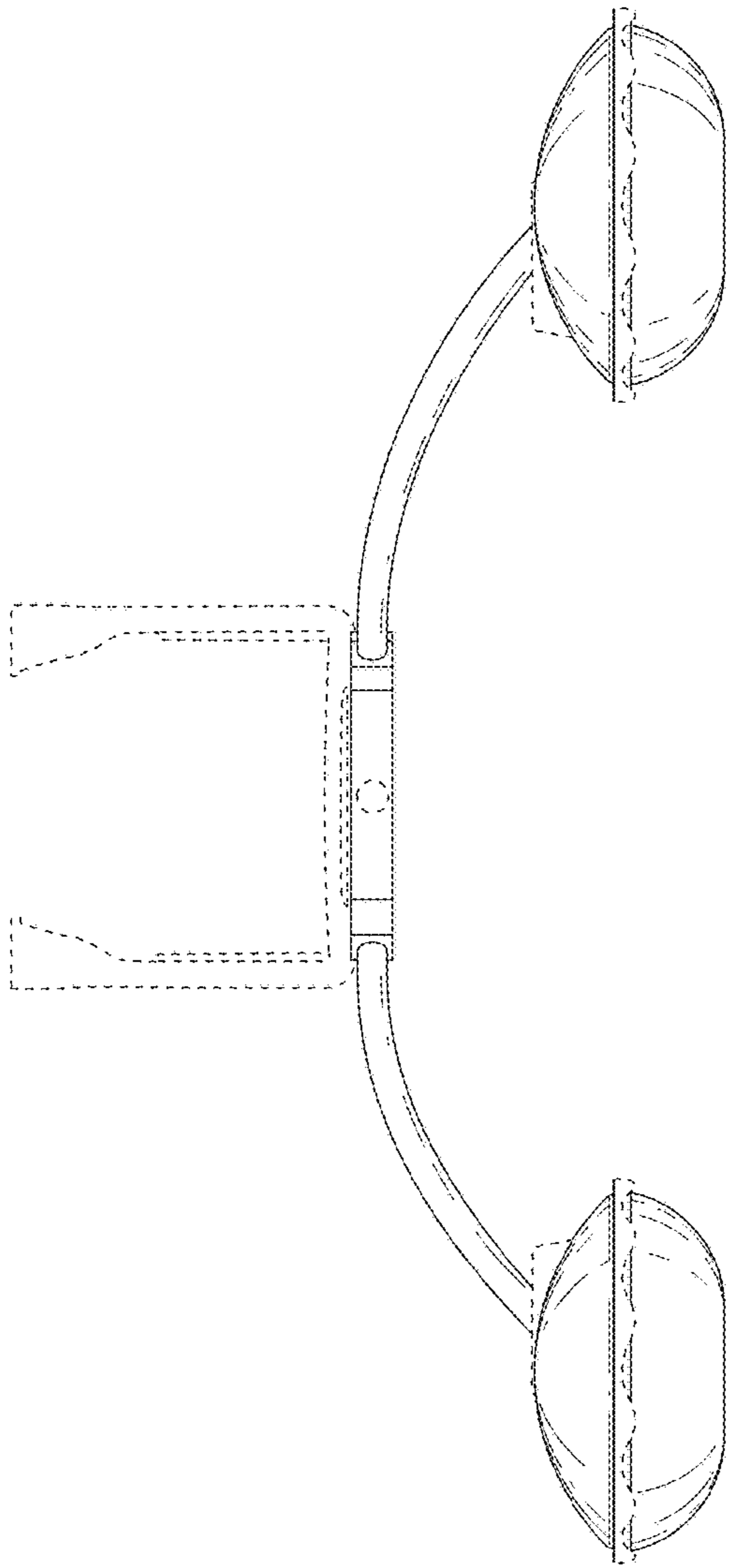


Fig. 28

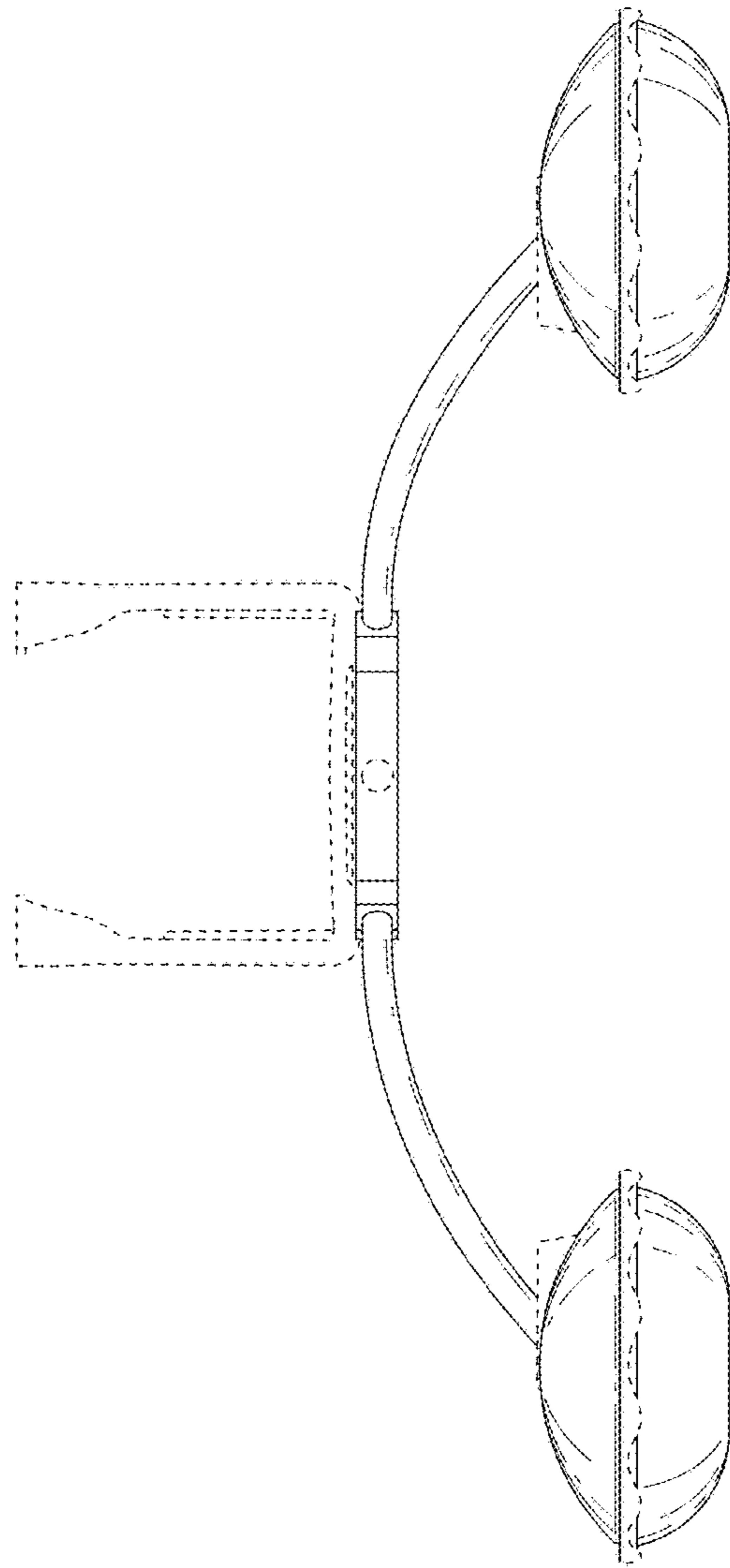
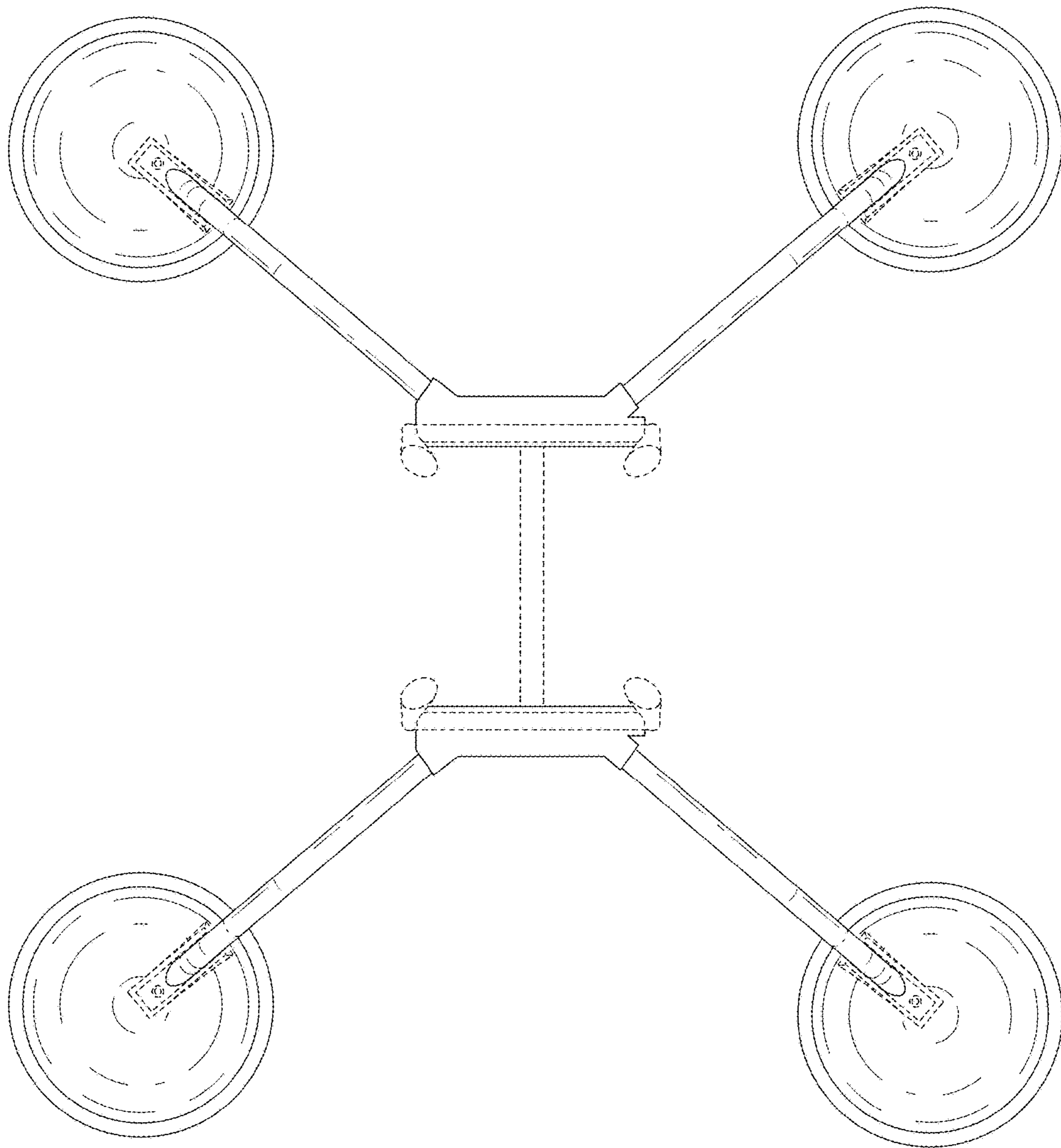
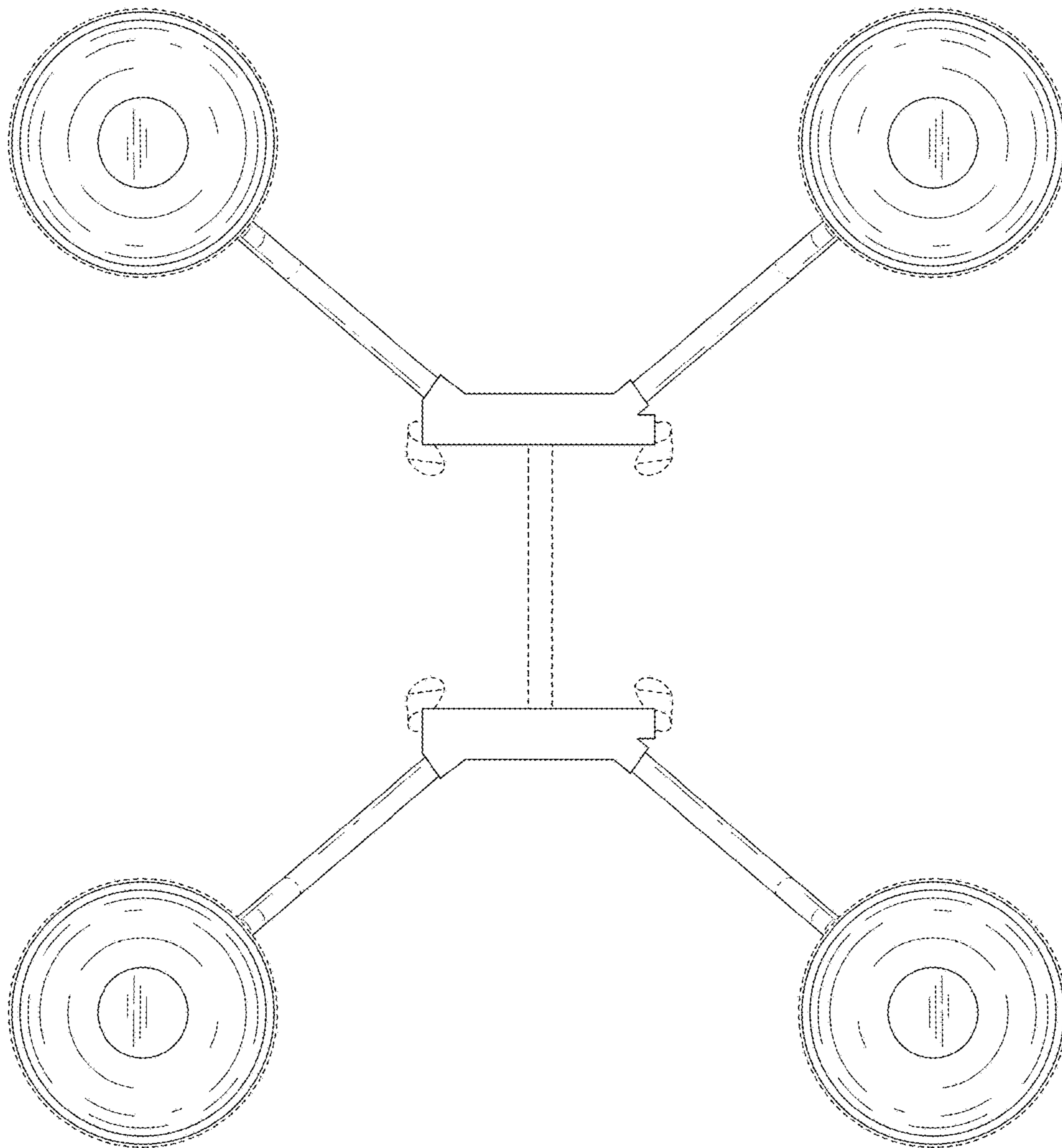


Fig. 29



*Fig. 30*





*Fig. 31*

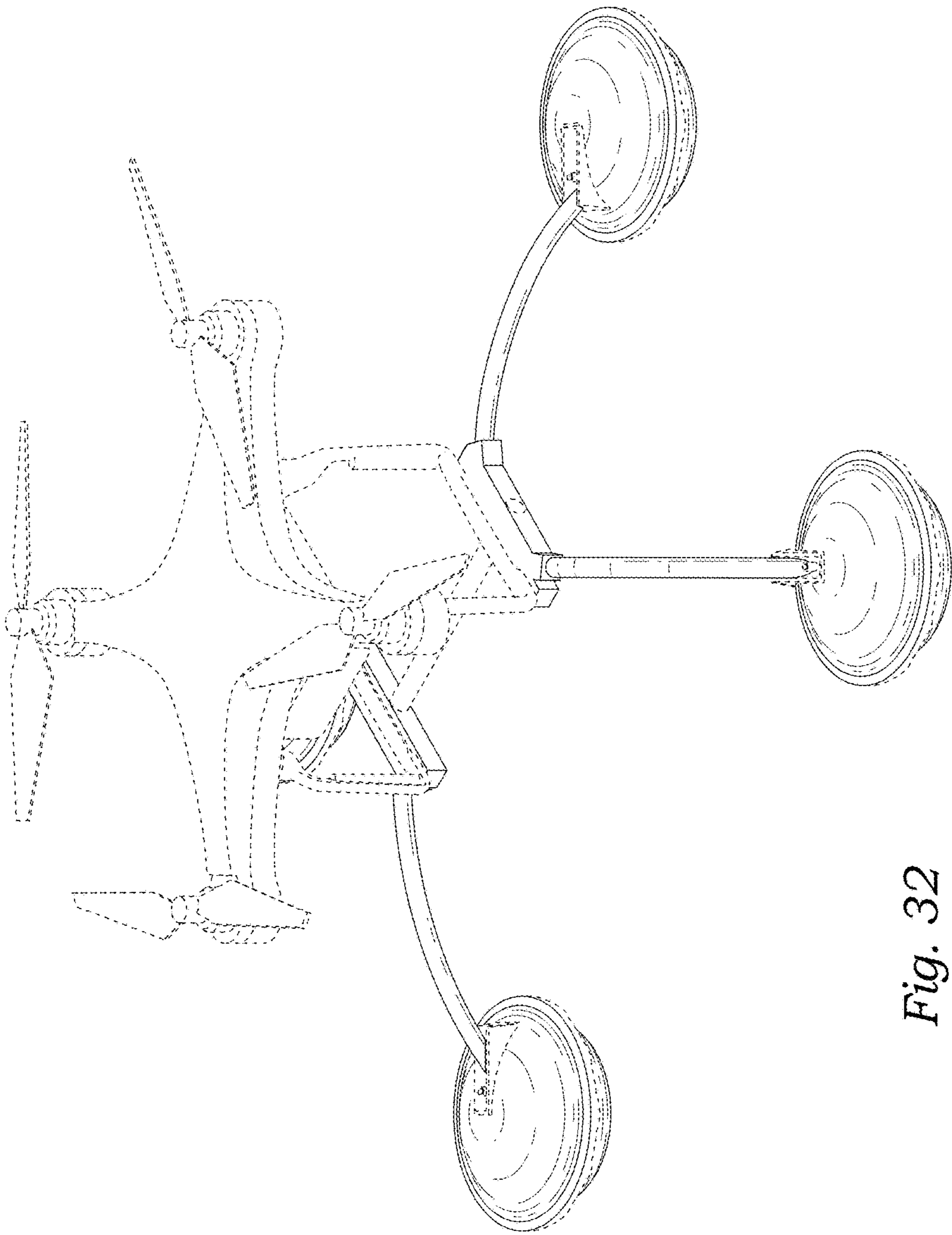


Fig. 32