



US00D795784S

(12) **United States Design Patent**
Guo et al.

(10) **Patent No.:** **US D795,784 S**

(45) **Date of Patent:** **** Aug. 29, 2017**

(54) **MULTI-ROTOR TYPE AIRCRAFT**

(71) Applicant: **AOS Technologies Co., Ltd.**, Chengdu, Sichuan Province (CN)

(72) Inventors: **Liang Guo**, Chengdu (CN); **Jin Wang**, Chengdu (CN); **Zhaohu Sun**, Chengdu (CN); **Yang Liu**, Chengdu (CN); **Sixing Zhu**, Chengdu (CN)

(73) Assignee: **AOS TECHNOLOGIES CO., LTD.**, Chengdu, Sichuan Province (CN)

(**) Term: **15 Years**

(21) Appl. No.: **29/573,022**

(22) Filed: **Aug. 2, 2016**

(51) **LOC (10) Cl.** **12-07**

(52) **U.S. Cl.**
USPC **D12/328**

(58) **Field of Classification Search**
USPC D12/16.1, 319-345; D21/436, 441, 442, D21/443, 446, 447, 448, 449, 450, 451, D21/452, 453, 454
CPC ... B64C 27/20; B64C 27/08; B64C 2201/104; B64C 2201/021; B64C 2201/128; B64C 2201/024; B64C 2201/141; B64C 2201/108; B64C 39/024
See application file for complete search history.

(56) **References Cited**

U.S. PATENT DOCUMENTS

D189,329 S * 11/1960 De Angelis D12/332
D345,396 S * 3/1994 Delaney D12/319

D453,317 S * 2/2002 DeTore D12/328
D739,807 S * 9/2015 Strand D12/324
D760,638 S * 7/2016 Beskar D12/344
D763,733 S * 8/2016 Gattelli D12/16.1
D772,991 S * 11/2016 Caubel D12/16.1
9,567,075 B2 * 2/2017 Tighe B64C 29/02
D782,365 S * 3/2017 Hung D12/16.1
D785,541 S * 5/2017 Du D12/328
2013/0221158 A1 * 8/2013 Binkholder F41F 3/065
244/137.4
2016/0194069 A1 * 7/2016 Taylor B64C 39/024
244/17.23
2017/0076616 A1 * 3/2017 Kanade G08G 5/045

* cited by examiner

Primary Examiner — Robert M Spear

Assistant Examiner — Marissa J Cash

(74) *Attorney, Agent, or Firm* — McClure, Qualey & Rodack, LLP

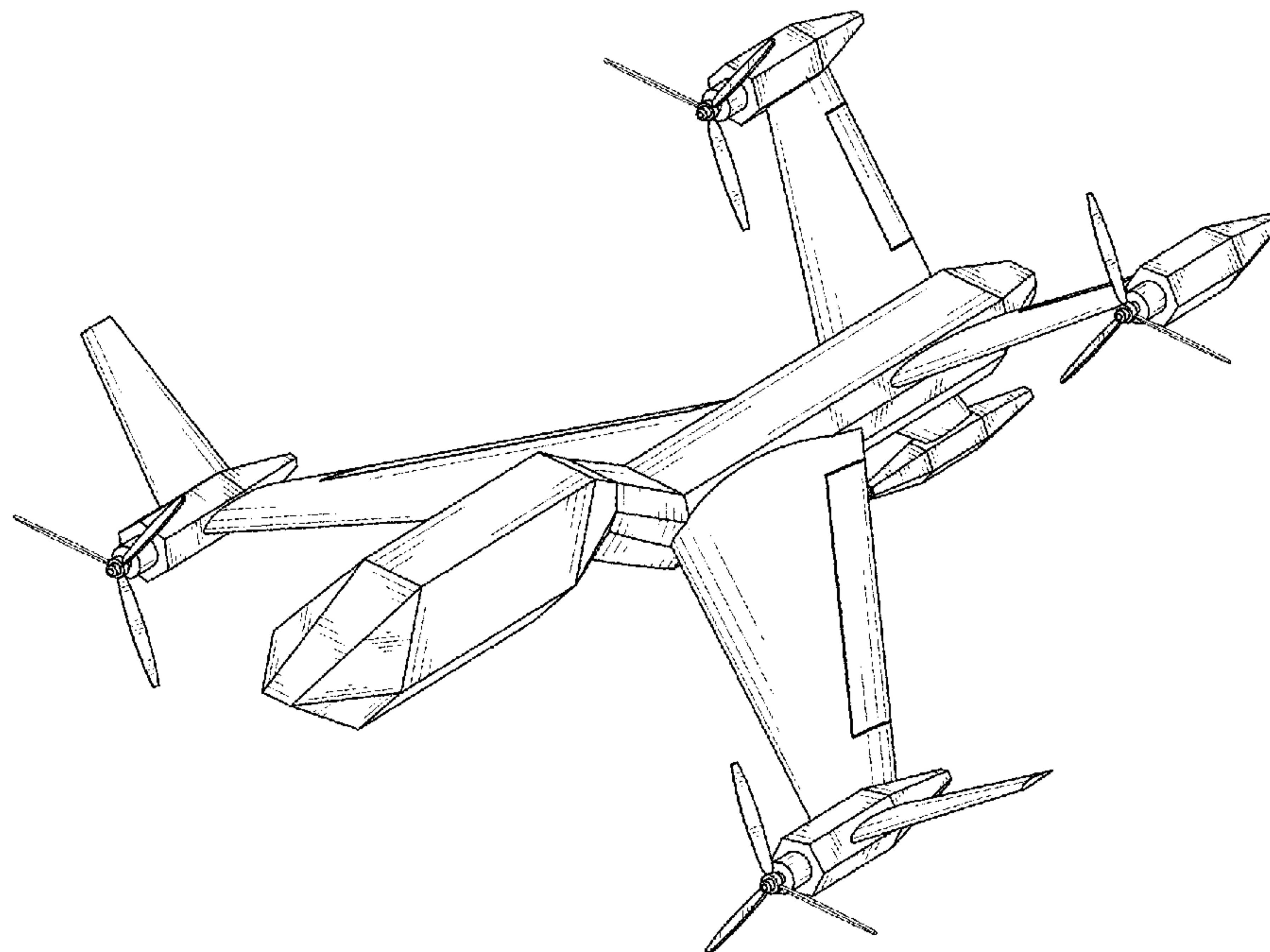
(57) **CLAIM**

The ornamental design for a multi-rotor type aircraft, as shown and described.

DESCRIPTION

FIG. 1 is a perspective view of the present invention;
FIG. 2 is a front view thereof;
FIG. 3 is a back view thereof;
FIG. 4 is a left side view thereof;
FIG. 5 is a right side view thereof;
FIG. 6 is a top plan view thereof; and,
FIG. 7 is a bottom plan view thereof.

1 Claim, 7 Drawing Sheets



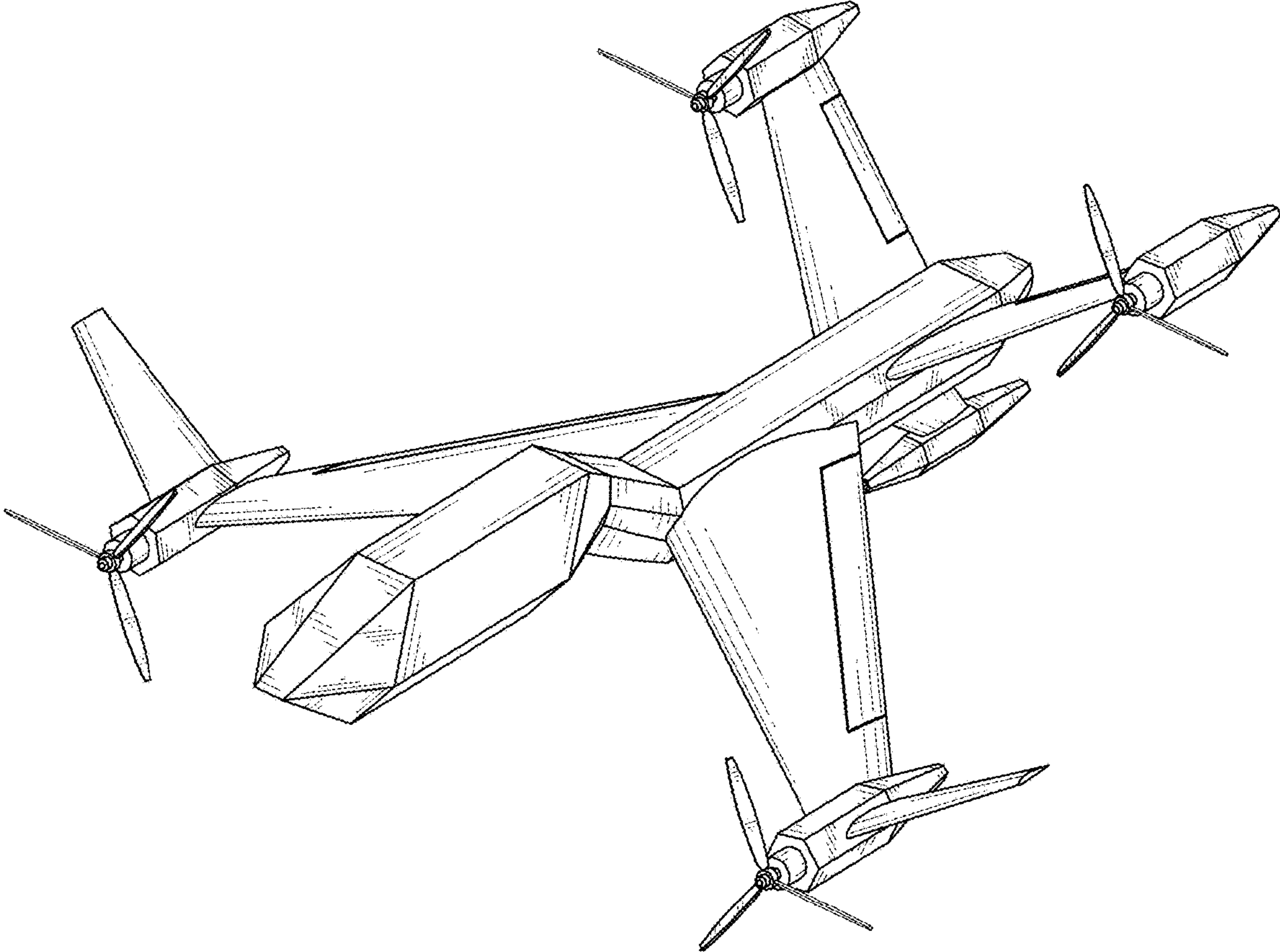


FIG. 1

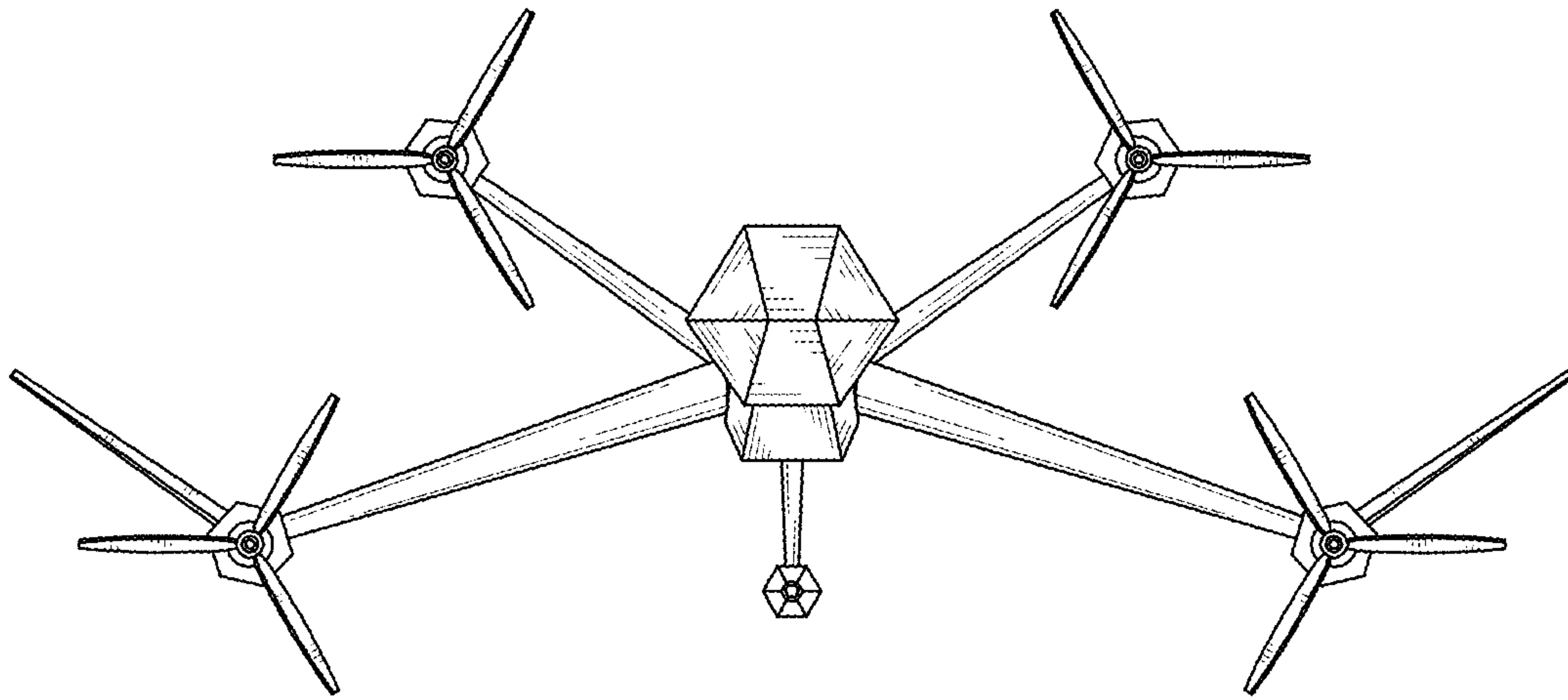


FIG. 2

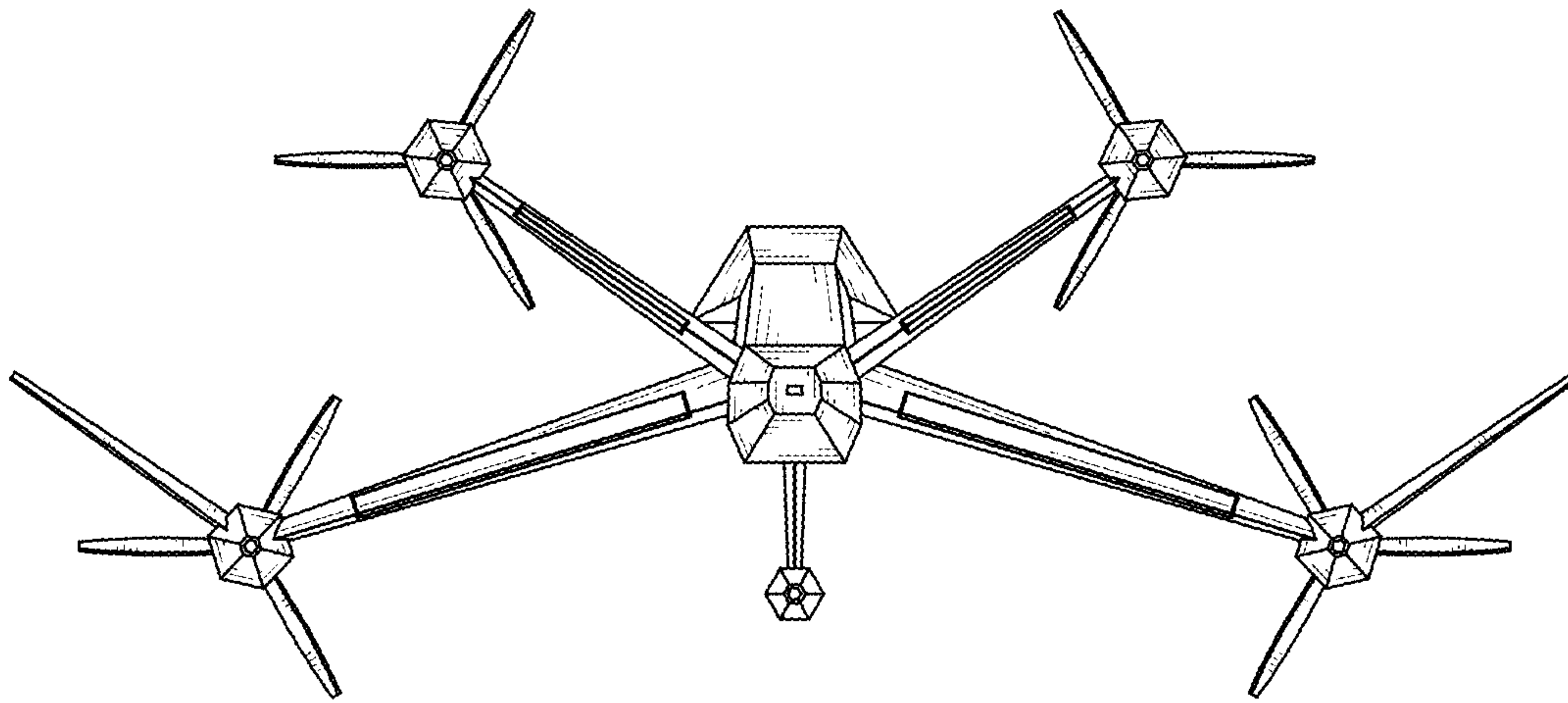


FIG. 3

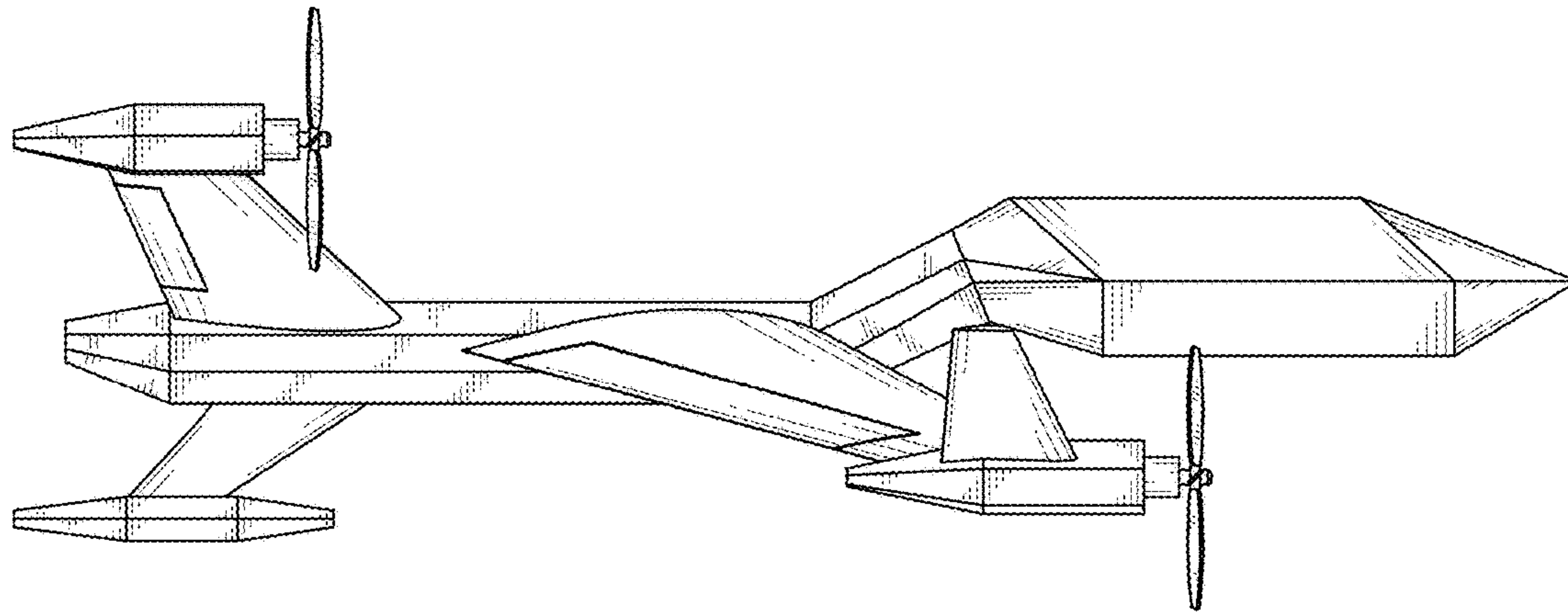


FIG. 4

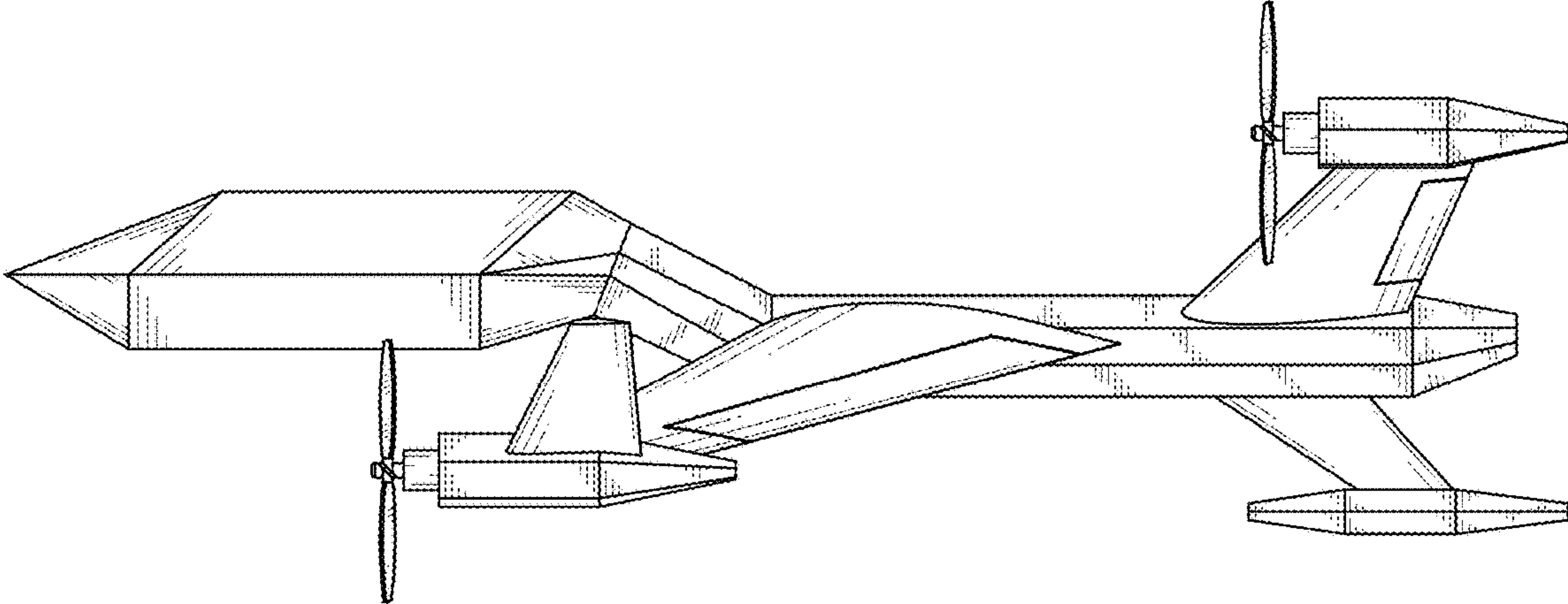


FIG. 5

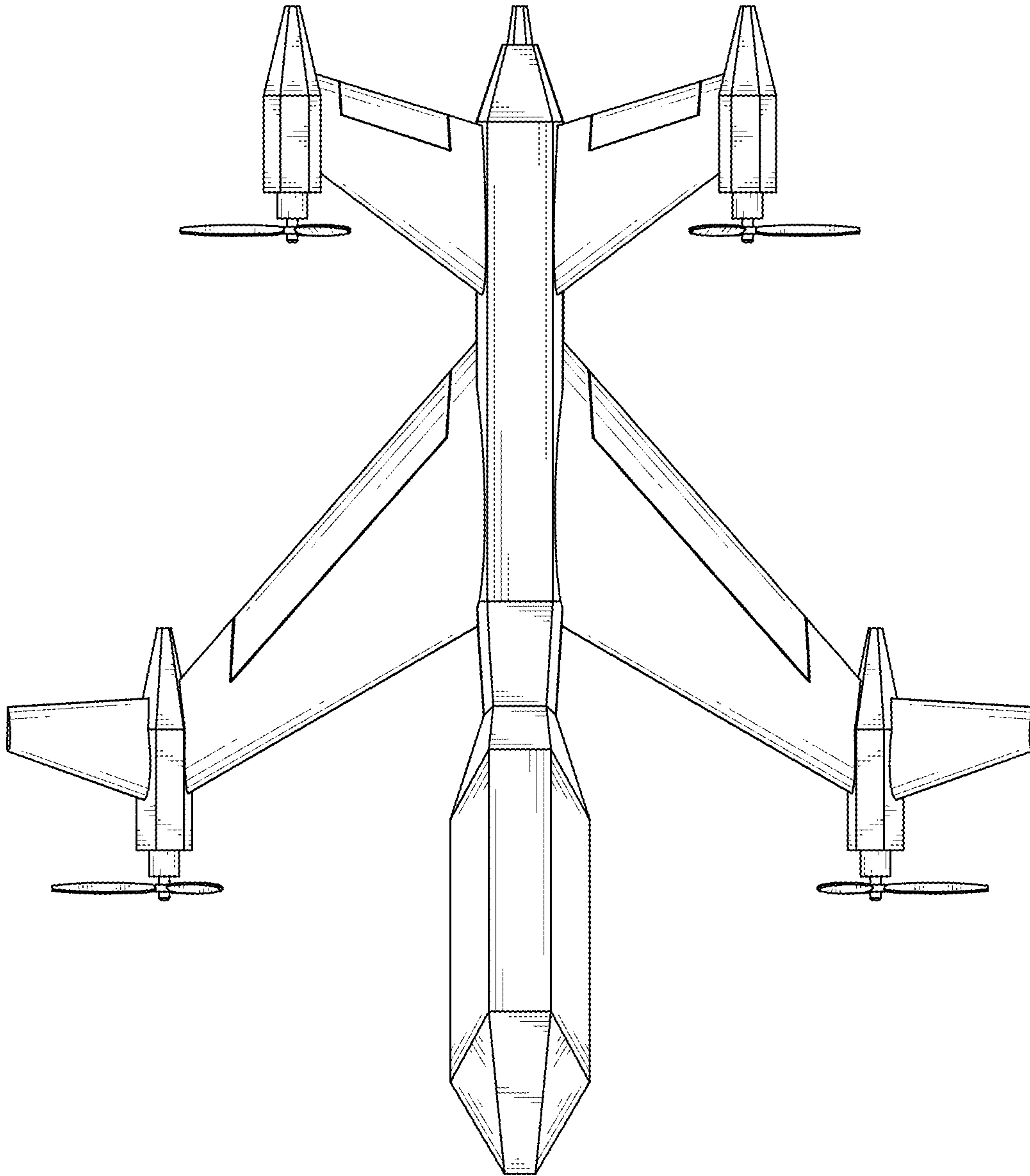


FIG. 6

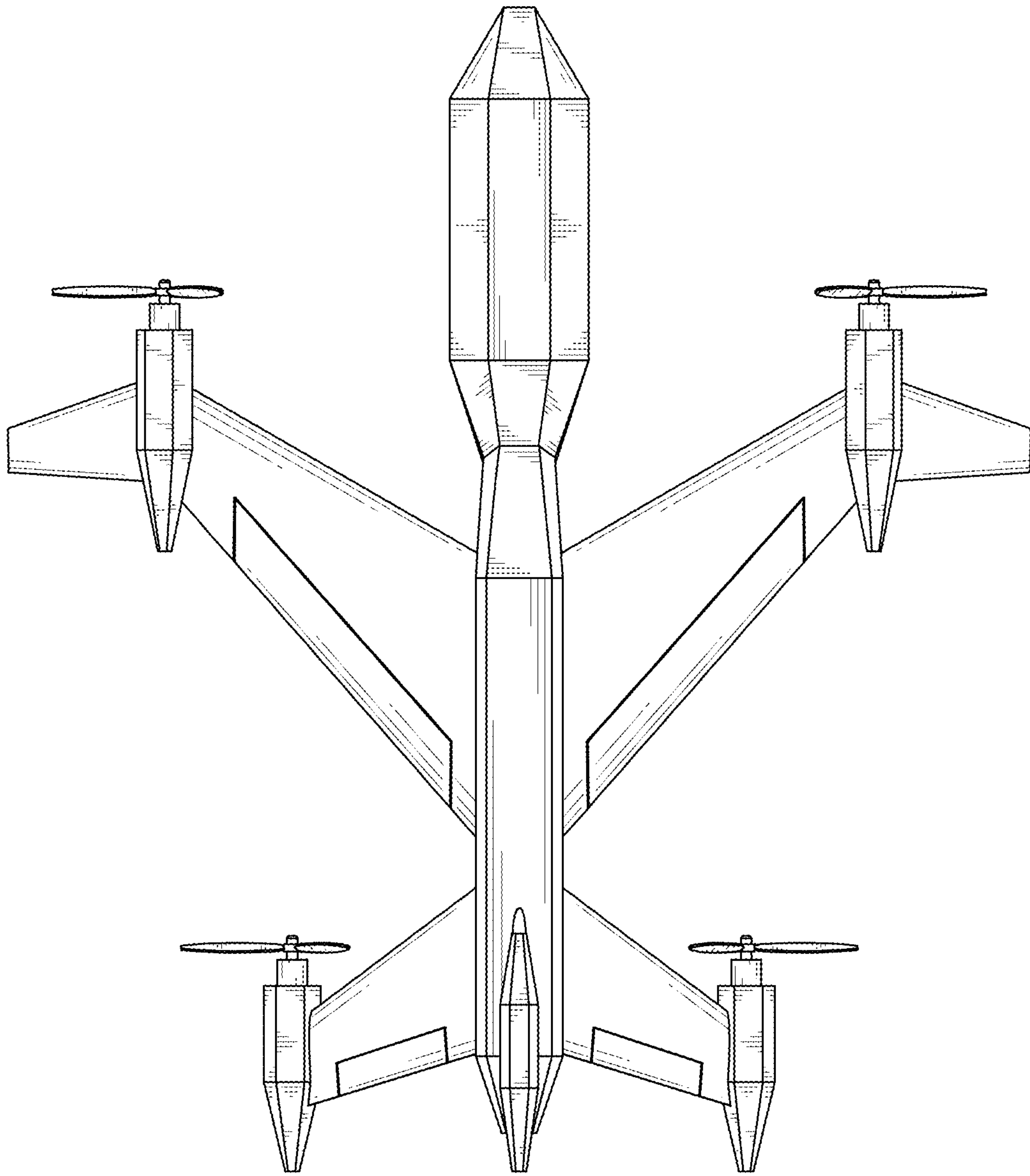


FIG. 7